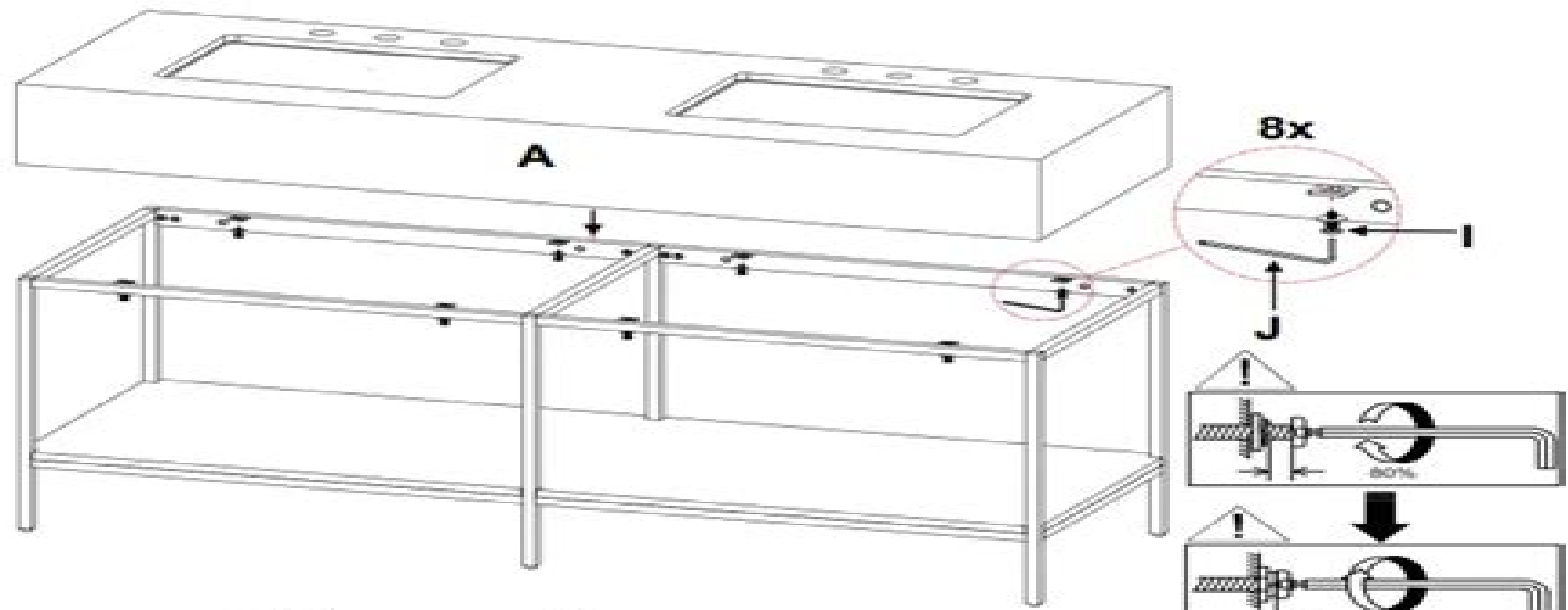
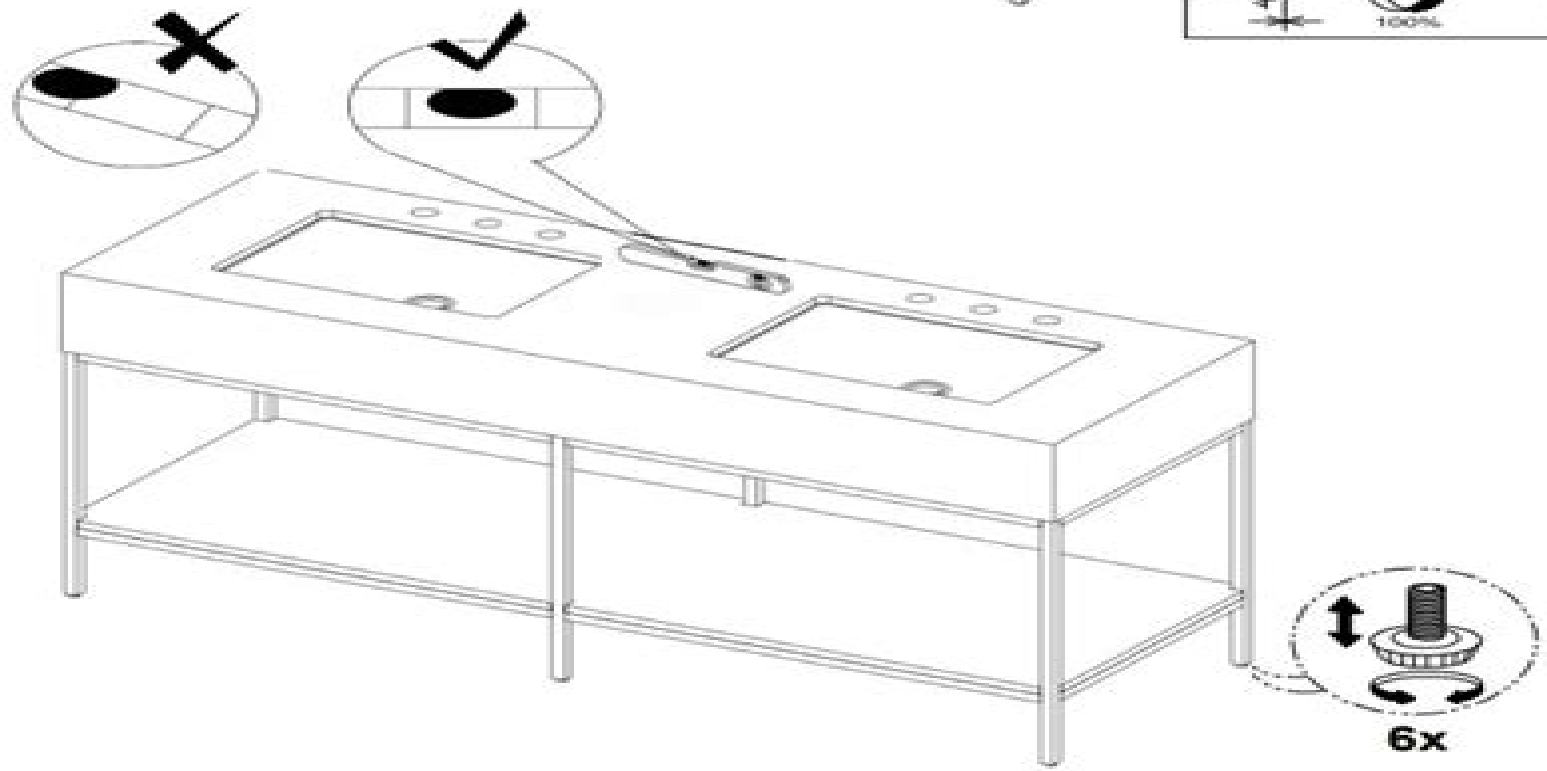


4



5



# Julien Bath Console Instruction Guide

**Judd E. Hollander**



## **Julien Bath Console Instruction Guide:**

Getting the books **Julien Bath Console Instruction Guide** now is not type of challenging means. You could not without help going subsequently ebook collection or library or borrowing from your friends to open them. This is an no question easy means to specifically acquire guide by on-line. This online publication Julien Bath Console Instruction Guide can be one of the options to accompany you gone having other time.

It will not waste your time. give a positive response me, the e-book will very vent you new matter to read. Just invest little times to admittance this on-line publication **Julien Bath Console Instruction Guide** as capably as evaluation them wherever you are now.

<https://staging.conocer.cide.edu/book/uploaded-files/HomePages/Hersheys%20Kisses%20Subtraction.pdf>

## **Table of Contents Julien Bath Console Instruction Guide**

1. Understanding the eBook Julien Bath Console Instruction Guide
  - The Rise of Digital Reading Julien Bath Console Instruction Guide
  - Advantages of eBooks Over Traditional Books
2. Identifying Julien Bath Console Instruction Guide
  - Exploring Different Genres
  - Considering Fiction vs. Non-Fiction
  - Determining Your Reading Goals
3. Choosing the Right eBook Platform
  - Popular eBook Platforms
  - Features to Look for in an Julien Bath Console Instruction Guide
  - User-Friendly Interface
4. Exploring eBook Recommendations from Julien Bath Console Instruction Guide
  - Personalized Recommendations
  - Julien Bath Console Instruction Guide User Reviews and Ratings
  - Julien Bath Console Instruction Guide and Bestseller Lists

5. Accessing Julien Bath Console Instruction Guide Free and Paid eBooks
  - Julien Bath Console Instruction Guide Public Domain eBooks
  - Julien Bath Console Instruction Guide eBook Subscription Services
  - Julien Bath Console Instruction Guide Budget-Friendly Options
6. Navigating Julien Bath Console Instruction Guide eBook Formats
  - ePub, PDF, MOBI, and More
  - Julien Bath Console Instruction Guide Compatibility with Devices
  - Julien Bath Console Instruction Guide Enhanced eBook Features
7. Enhancing Your Reading Experience
  - Adjustable Fonts and Text Sizes of Julien Bath Console Instruction Guide
  - Highlighting and Note-Taking Julien Bath Console Instruction Guide
  - Interactive Elements Julien Bath Console Instruction Guide
8. Staying Engaged with Julien Bath Console Instruction Guide
  - Joining Online Reading Communities
  - Participating in Virtual Book Clubs
  - Following Authors and Publishers Julien Bath Console Instruction Guide
9. Balancing eBooks and Physical Books Julien Bath Console Instruction Guide
  - Benefits of a Digital Library
  - Creating a Diverse Reading Collection Julien Bath Console Instruction Guide
10. Overcoming Reading Challenges
  - Dealing with Digital Eye Strain
  - Minimizing Distractions
  - Managing Screen Time
11. Cultivating a Reading Routine Julien Bath Console Instruction Guide
  - Setting Reading Goals Julien Bath Console Instruction Guide
  - Carving Out Dedicated Reading Time
12. Sourcing Reliable Information of Julien Bath Console Instruction Guide
  - Fact-Checking eBook Content of Julien Bath Console Instruction Guide
  - Distinguishing Credible Sources
13. Promoting Lifelong Learning

- Utilizing eBooks for Skill Development
  - Exploring Educational eBooks
14. Embracing eBook Trends
- Integration of Multimedia Elements
  - Interactive and Gamified eBooks

### **Julien Bath Console Instruction Guide Introduction**

In today's digital age, the availability of Julien Bath Console Instruction Guide books and manuals for download has revolutionized the way we access information. Gone are the days of physically flipping through pages and carrying heavy textbooks or manuals. With just a few clicks, we can now access a wealth of knowledge from the comfort of our own homes or on the go. This article will explore the advantages of Julien Bath Console Instruction Guide books and manuals for download, along with some popular platforms that offer these resources. One of the significant advantages of Julien Bath Console Instruction Guide books and manuals for download is the cost-saving aspect. Traditional books and manuals can be costly, especially if you need to purchase several of them for educational or professional purposes. By accessing Julien Bath Console Instruction Guide versions, you eliminate the need to spend money on physical copies. This not only saves you money but also reduces the environmental impact associated with book production and transportation. Furthermore, Julien Bath Console Instruction Guide books and manuals for download are incredibly convenient. With just a computer or smartphone and an internet connection, you can access a vast library of resources on any subject imaginable. Whether you're a student looking for textbooks, a professional seeking industry-specific manuals, or someone interested in self-improvement, these digital resources provide an efficient and accessible means of acquiring knowledge. Moreover, PDF books and manuals offer a range of benefits compared to other digital formats. PDF files are designed to retain their formatting regardless of the device used to open them. This ensures that the content appears exactly as intended by the author, with no loss of formatting or missing graphics. Additionally, PDF files can be easily annotated, bookmarked, and searched for specific terms, making them highly practical for studying or referencing. When it comes to accessing Julien Bath Console Instruction Guide books and manuals, several platforms offer an extensive collection of resources. One such platform is Project Gutenberg, a nonprofit organization that provides over 60,000 free eBooks. These books are primarily in the public domain, meaning they can be freely distributed and downloaded. Project Gutenberg offers a wide range of classic literature, making it an excellent resource for literature enthusiasts. Another popular platform for Julien Bath Console Instruction Guide books and manuals is Open Library. Open Library is an initiative of the Internet Archive, a non-profit organization dedicated to digitizing cultural artifacts and making them accessible to the public. Open Library hosts millions of books, including both public domain works

and contemporary titles. It also allows users to borrow digital copies of certain books for a limited period, similar to a library lending system. Additionally, many universities and educational institutions have their own digital libraries that provide free access to PDF books and manuals. These libraries often offer academic texts, research papers, and technical manuals, making them invaluable resources for students and researchers. Some notable examples include MIT OpenCourseWare, which offers free access to course materials from the Massachusetts Institute of Technology, and the Digital Public Library of America, which provides a vast collection of digitized books and historical documents. In conclusion, Julien Bath Console Instruction Guide books and manuals for download have transformed the way we access information. They provide a cost-effective and convenient means of acquiring knowledge, offering the ability to access a vast library of resources at our fingertips. With platforms like Project Gutenberg, Open Library, and various digital libraries offered by educational institutions, we have access to an ever-expanding collection of books and manuals. Whether for educational, professional, or personal purposes, these digital resources serve as valuable tools for continuous learning and self-improvement. So why not take advantage of the vast world of Julien Bath Console Instruction Guide books and manuals for download and embark on your journey of knowledge?

### **FAQs About Julien Bath Console Instruction Guide Books**

How do I know which eBook platform is the best for me? Finding the best eBook platform depends on your reading preferences and device compatibility. Research different platforms, read user reviews, and explore their features before making a choice. Are free eBooks of good quality? Yes, many reputable platforms offer high-quality free eBooks, including classics and public domain works. However, make sure to verify the source to ensure the eBook credibility. Can I read eBooks without an eReader? Absolutely! Most eBook platforms offer webbased readers or mobile apps that allow you to read eBooks on your computer, tablet, or smartphone. How do I avoid digital eye strain while reading eBooks? To prevent digital eye strain, take regular breaks, adjust the font size and background color, and ensure proper lighting while reading eBooks. What the advantage of interactive eBooks? Interactive eBooks incorporate multimedia elements, quizzes, and activities, enhancing the reader engagement and providing a more immersive learning experience. Julien Bath Console Instruction Guide is one of the best book in our library for free trial. We provide copy of Julien Bath Console Instruction Guide in digital format, so the resources that you find are reliable. There are also many Ebooks of related with Julien Bath Console Instruction Guide. Where to download Julien Bath Console Instruction Guide online for free? Are you looking for Julien Bath Console Instruction Guide PDF? This is definitely going to save you time and cash in something you should think about. If you trying to find then search around for online. Without a doubt there are numerous these available and many of them have the

freedom. However without doubt you receive whatever you purchase. An alternate way to get ideas is always to check another Julien Bath Console Instruction Guide. This method for see exactly what may be included and adopt these ideas to your book. This site will almost certainly help you save time and effort, money and stress. If you are looking for free books then you really should consider finding to assist you try this. Several of Julien Bath Console Instruction Guide are for sale to free while some are payable. If you arent sure if the books you would like to download works with for usage along with your computer, it is possible to download free trials. The free guides make it easy for someone to free access online library for download books to your device. You can get free download on free trial for lots of books categories. Our library is the biggest of these that have literally hundreds of thousands of different products categories represented. You will also see that there are specific sites catered to different product types or categories, brands or niches related with Julien Bath Console Instruction Guide. So depending on what exactly you are searching, you will be able to choose e books to suit your own need. Need to access completely for Campbell Biology Seventh Edition book? Access Ebook without any digging. And by having access to our ebook online or by storing it on your computer, you have convenient answers with Julien Bath Console Instruction Guide To get started finding Julien Bath Console Instruction Guide, you are right to find our website which has a comprehensive collection of books online. Our library is the biggest of these that have literally hundreds of thousands of different products represented. You will also see that there are specific sites catered to different categories or niches related with Julien Bath Console Instruction Guide So depending on what exactly you are searching, you will be able to choose ebook to suit your own need. Thank you for reading Julien Bath Console Instruction Guide. Maybe you have knowledge that, people have search numerous times for their favorite readings like this Julien Bath Console Instruction Guide, but end up in harmful downloads. Rather than reading a good book with a cup of coffee in the afternoon, instead they juggled with some harmful bugs inside their laptop. Julien Bath Console Instruction Guide is available in our book collection an online access to it is set as public so you can download it instantly. Our digital library spans in multiple locations, allowing you to get the most less latency time to download any of our books like this one. Merely said, Julien Bath Console Instruction Guide is universally compatible with any devices to read.

### **Find Julien Bath Console Instruction Guide :**

[hersheys kisses subtraction](#)

[\*het oostindisch avontuur duitsers in dienst van de voc 16001800\*](#)

[here today; zen inspired poetry](#)

[heres to you america peanuts 10x8](#)

[heritage of world civilizations combined edition](#)



**hermie and the big bully croaker hermie friends**

hermie a common caterpillar mini board

~~hereditary effects of radiation unseear 2001 report to the general assembly with scientific annex~~

**herzl the king**

**hi honey im home hi and lois series no. 3**

**hetch hetchy**

hermann heimpel und die deutsche nationalgeschichtsbchreibung

*heterocyclic compounds in chemistry*

heroines of dixie winter of desperation

heywoodwakefield modern furniture

**Julien Bath Console Instruction Guide :**

**kerosene handbook of petroleum product analysis wiley** - Jul 05 2023

web dec 12 2014 kerosene is composed chiefly of hydrocarbons containing 12 or more carbon atoms per molecule the essential properties of kerosene are flash point distillation range burning characteristics sulfur content color and cloud point acids can be present in kerosene aviation turbine fuels due to acid treatment during refining

*the antoine equation of rp 3 aviation kerosene based on a five* - May 03 2023

web mar 29 2022 the logarithmic curve of the saturated vapor pressure of the rp 3 aviation kerosene as a function of temperature the data points calculated by eqs 7 9 can be fitted by the antoine equation the fitted antoine equation of the rp 3 saturated vapor pressure is as follows

**kerosene krs cameo chemicals** - Aug 06 2023

web 1 corrective response actions stop discharge contain collection systems skim chemical and physical treatment burn clean shore line salvage waterfowl 2 chemical designations 2 1 cg compatibility group 33 miscellaneous hydrocarbon mixtures 2 2 formula  $c_{nh} 2n 2 2 3$  imo un designation 3 3 1223 2 4 dot id no 1223

**vapor pressure curve for kerosene secure4 khronos** - Feb 17 2022

web vapor pressure curve and an rvp d323 value for of vapor pressure of curde vapor pressure and normal boiling point predictions for pure methyl esters and biodiesel fuels for higher constrain the vapor pressure temperature curve

*vapour pressure curve physics britannica* - Jun 23 2022

web other articles where vapour pressure curve is discussed thermodynamics the clausius clapeyron equation pressure remains equal to the vapour pressure  $p_{vap}$  as the piston moves up as long as both phases remain present all that happens is

that more water turns to steam and the heat reservoir must supply the latent heat of vaporization  $\lambda$  40 65

**efficiency of detonation combustion of kerosene vapor in** - Apr 21 2022

web mar 13 2023 the measured values  $\tau_{ign}$  is represented by the data for n decane t 1600 k at p 3 5 atm n decane t 1175 k p 5 atm n decane t 1300 k p 13 atm n decane and kerosene jet a t 1750 k p 9 atm jet a kerosene t 1320 k p 11 atm and jet a kerosene t 1380 k p 10 atm

*11 5 vapor pressure chemistry libretexts* - Oct 28 2022

web a the vapor pressure curve of water intersects the p 1000 mmhg line at about 110 c this is therefore the boiling point of water at 1000 mmhg b the vertical line corresponding to 250 c intersects the vapor pressure curve of mercury at p 75 mmhg hence this is the pressure required for mercury to boil at 250 c

*vapor pressure curve for kerosene book* - Mar 21 2022

web an examination of methods for calculating vapor pressure of petroleum hydrocarbon alan e zengel 1964 at high temperatures the vapor pressure of kerosene type hydrocarbons is difficult to measure accurately with laboratory apparatus because of difficulties in direct measurement of vapor pressure temperature

**kerosene jet fuels occupational safety and health administration** - Sep 26 2022

web jan 4 2021 vapor pressure 5 mmhg at 100 f flash point 100 162 f vapor density 4 5 specific gravity 0 81 ionization potential lower explosive limit lel 0 7 upper explosive limit uel 5 nfpa health rating

**vapour pressure of kerosene qs study** - Sep 07 2023

web vapour pressure of kerosene hydrocarbon the vapor pressure of a liquid is defined as the pressure exerted by the molecules that escape from the liquid to form a separate vapor phase above the liquid surface this pressure is formed in a thermodynamic equilibrium state in a closed container at a certain temperature

thermophysics characterization of kerosene combustion ten - May 23 2022

web allow the gaseous phase thermodynamics to be curve fitted to 300k about 142k lower than the normal boiling point 542k 2 of kerosene nevertheless in actual calculations involving liquid kerosene fuel the heat capacity and latent heat of vaporization of liquid kerosene 12 are used for

*vapor pressure wikipedia* - Jul 25 2022

web as a general trend vapor pressures of liquids at ambient temperatures increase with decreasing boiling points this is illustrated in the vapor pressure chart see right that shows graphs of the vapor pressures versus temperatures for a variety of liquids

**thermophysical properties of the kerosene at a supercritical pressure** - Aug 26 2022

web the flow and heat transfer characteristics of china no 3 aviation kerosene in a heated curved tube under supercritical

pressure are numerically investigated by a finite volume method

[liquids vapor pressures the engineering toolbox](#) - Oct 08 2023

web the vapor pressure of a liquid is defined as the pressure exerted by the molecules that escapes from the liquid to form a separate vapor phase above the liquid surface the pressure exerted by the vapor phase is called the vapor or saturation

pressure vapor or saturation pressure depends on temperature

**13 10 vapor pressure curves chemistry libretexts** - Apr 02 2023

web sep 21 2022 a vapor pressure curve is a graph of vapor pressure as a function of temperature to find the normal boiling point of liquid a horizontal line is drawn from the y axis at a pressure equal to standard pressure

[7 2 vapor pressure chemistry libretexts](#) - Nov 28 2022

web the graph of the vapor pressure of water versus temperature in figure pageindex 3 indicates that the vapor pressure of water is 68 kpa at about 90 c thus at about 90 c the vapor pressure of water will equal the atmospheric pressure in

**droplet evaporation modeling by the distillation curve model** - Dec 30 2022

web nov 1 2003 droplet evaporation modeling by the distillation curve model accounting for kerosene fuel and elevated pressures

[kerosene cameo chemicals noaa](#) - Mar 01 2023

web vapor pressure 0 1 psi at 100 f ntp 1992 vapor density relative to air 4 5 ntp 1992 heavier than air will sink specific gravity 0 8 at 59 f uscg 1999 less dense than water will float

[vapor pressure as a function of temperature the trend lines are](#) - Jun 04 2023

web in fact when the temperature increases from 20 to 60 c the vapor pressure of kerosene rises from 4 to 18 mbar 34 this suggests that kerosene cannot be entirely vaporized at 60 c

**icsc 0663 kerosene international programme on chemical** - Jan 31 2023

web kerosene icsc 0663 physical chemical information physical state appearance low viscosity liquid with characteristic odour physical dangers as a result of flow agitation etc electrostatic charges can be generated vapour pressure kpa at 37 8 c 1 3 7 exposure health effects

**bowhunting for beginners tips gear and advice advanced hunter** - Oct 29 2021

web drawing a bowstring even on a compound bow works muscles all over your upper body the practice required to aim a bow effectively increases hand eye coordination while teaching you to focus on your target and practicing for just half an hour burns about 140 calories while increasing strength and flexibility

[beginner bowhunting 10 tips to get started forloh](#) - May 04 2022

web aug 15 2023 hunting with a bow and arrow brings you almost face to face with your prey for a primal heart pounding

hunt even though bowhunting requires you to get into close range to make your shot it doesn't necessarily make it easy check out the tips below to hone your beginner bow hunting skills table of contents

*8 important bowhunting tips for beginners bowhunting net* - Jun 05 2022

web jun 1 2021 1 always keep your hunting licenses with you there is no one size fits all option for this one each state has its own laws in regards to hunting licensure there will undoubtedly be some form of license required by the state the game warden usually takes care of hunting and fishing licenses 2 finding the right bow

bowhunting 101 how to start bowhunting besthuntingadvice - Jul 06 2022

web oct 14 2020 bow hunting for beginners getting started there are two ways to master bow hunting one is by taking courses taught by veterans in the field and the other through self practice and consuming materials such as books magazines and the internet

**bow hunting for beginners basics and vital tips recurve bow guide** - Mar 02 2022

web during selection of recurve bow you have to consider a few more things like draw length and weight if you visit your nearby bow shop or any pro archer they will help you to measure your draw length based on your draw length you can choose the draw weight the minimum recommended draw weight is 45 pound for hunting any game

**bow hunting for beginners an ultimate guide to get you started** - Jan 12 2023

web 1 bow selection 2 arrows 3 bow sight hunting accessories you'll need how to do it fundamentals of archery stance grip draw anchor point the release follow through bow hunting tips for beginners from experts i go along with an experienced hunter ii keep your licenses iii choose release style

*beginners guide to bow hunting tips gear and advice* - Nov 29 2021

web ready to start bow hunting learn about all aspects of a beginner guide to bow hunting this guide covers gear and tips to get started

**the complete bow hunting guide for beginners** - Apr 03 2022

web jul 3 2023 this guide will teach you everything you need to know about bow hunting for beginners bows arrows equipment game animals how to shoot and more

the ultimate guide getting started with bow hunting for beginners - Jun 17 2023

web aug 10 2023 the ultimate guide getting started with bow hunting for beginners from novice to pro in 2023

*bow hunting tips for beginners a step by step guide in 2023* - Apr 15 2023

web jul 4 2023 an overview of bow hunting tips for beginners bow hunting is a thrilling and challenging sport that requires skill patience and knowledge if you are interested in taking up bow hunting here are some important tips to get you started

getting started the bowhunting basics - Aug 07 2022

web may 5 2021 nocks usually weigh around 10 to 15 grains inserts around 20 grains for carbon arrows and 4 inch vanes around 20 grains use helical fletching on your arrows four inch vanes are very popular some bowhunters are even going to the high profile short vanes such as the bohning blazer and nap quikspin speed hunter

*bowhunt 101 learn how to bow hunt bowhunting.com* - Dec 11 2022

web learn the basics of bow hunting and archery including tips and tactics for shooting a bow choosing hunting gear scouting deer hunting and more

*bow hunting for beginners a comprehensive guide* - Jul 18 2023

web jul 5 2023 by understanding the basics of bow hunting developing proper technique navigating hunting regulations and ethics scouting and preparing for the hunt and mastering the art of tracking and taking down your target you ll be well on your way to becoming a successful bow hunter

*bow hunting for beginners the national wild turkey federation* - Sep 08 2022

web nov 18 2021 taking up bow hunting can extend your hunting seasons but there are some things you should learn before you get started cassie scott november 18 2021 1 min read brenda valentine nwtf spokesperson and the first lady of hunting describes three things beginner bow hunters need to keep in mind to excel in the activity

**how to start bow hunting a beginner s guide ontheoutside.co** - Oct 09 2022

web bow hunting is gaining in popularity and it s easy to see why we ve got all the basics covered from understanding the gear to practice tips and even safety considerations so if you re ready to give bow hunting a go read on for the best advice on how to start and enjoy a successful hunt

**bow hunting complete guide for beginners wild trend** - Feb 01 2022

web feb 20 2023 in the usa bow hunting is a popular topic even among beginner hunters more than any other hunting method viewed worldwide bow hunting is growing continuously in modern days the trend is also positive among women and youth perhaps it s an accessible and primitive way to hunt however bowhunting requires plenty of

how to start bow hunting a beginner s guide - Aug 19 2023

web aug 1 2023 to start bow hunting beginners need to learn proper technique and familiarize themselves with local regulations in this beginner s guide we ll cover everything you need to know from selecting the right bow and arrows to practicing shooting skills and understanding ethical hunting practices

**how to start bow hunting a comprehensive guide for beginners** - May 16 2023

web jul 17 2023 whether you re just starting or looking to expand your knowledge this comprehensive guide on how to start bow hunting will introduce you to the need to know aspects of bow hunting from choosing the perfect bow to mastering your shooting skills and understanding regulations

**bow hunting for beginners where do i start n1 outdoors** - Nov 10 2022

web feb 1 2021 what should you know to begin the quest of being a successful bow hunter in this article we will do our best to get you started in the right direction let s just call this n1 outdoors bow hunting for beginners 101 check out the the diagram below to learn all the parts of a compound bow so what brings you to bow hunting

*bow hunting for beginners a comprehensive guide to getting* - Mar 14 2023

web jul 10 2023 1 introduction to bow hunting understanding the appeal of bow hunting bow hunting offers a unique and immersive experience in the natural world for beginners it requires hunters to get closer to their quarry relying on stealth skill and patience to make ethical and successful harvests

*in depth guide to bow hunting for beginners archery care* - Feb 13 2023

web feb 6 2023 in depth guide to bow hunting for beginners last updated on february 6 2023 by archery care besides getting free meat bow hunting is a highly challenging game that brings you in close proximity to your prey the adrenaline rush is indomitable but things can be intimidating if you are just starting out

**how to start bow hunting 6 basic tips tricks optics mag** - Dec 31 2021

web jan 23 2023 bow and arrows compound and crossbows are two common types for hunting although recurve or longbows are also potential options for an advanced archer in addition you ll want the appropriate arrows for the species you re hunting bow sight when hunting with a bow you don t have the luxury of a high powered scope but some

*a beginner s guide to bowhunting american hunter* - Sep 20 2023

web sep 21 2018 in order to hunt ethically bowhunters need a draw weight of at least 40 pounds also know that drawing a bow requires specific technique if you initially have trouble drawing bows that other people your size can easily draw and it frequently happens with beginners skip down to the fundamentals of archery section and start

**managerial economics 7th edition by keat young and erfle** - Apr 30 2022

web jul 15 2019 book name managerial economics economic tools for today s decision makers edition 7th edition label s english economics author s paul g keat philip k y young stephen e erfle publisher pearson education prentice hall 2013 file type pdf file sizes 30 06 mb

**solution manual for managerial economics 7th global edition by keat young** - Feb 09 2023

web nov 15 2022 solution manual for managerial economics 7th global edition by keat young it includes all chapters unless otherwise stated please check the sample before making a payment you will see the download link immediately after making a payment and it will be sent to your e mail as well

*managerial economics by paul g keat open library* - Oct 05 2022

web nov 18 2022 details reviews lists related books last edited by importbot november 18 2022 history edit an edition of

managerial economics 1992 managerial economics economic tools for today s decision makers 6th ed by paul g keat and philip k y young 5 00 1 rating 16 want to read 1 currently reading 1 have read

[managerial economics keat paul young philip erfle steve](#) - Jul 02 2022

web directed primarily toward undergraduate mba students in economics this text also provides practical content to current and aspiring industry professionals this text will excite readers by providing a more linear progression while proving the consistency and relevance of microeconomic theory

[managerial economics pearson](#) - Jun 13 2023

web jul 14 2021 managerial economics 7th edition published by pearson july 14 2021 2014 paul g keat thunderbird philip k young thunderbird steve erfle dickinson college

**solutions for managerial economics economic tools for today** - Mar 10 2023

web step by step video answers explanations by expert educators for all managerial economics economic tools for today s decision makers 7th by paul keat philip k young steve erfle only on numerade com

**managerial economics by keat paul g young philip k y** - Mar 30 2022

web managerial economics keat paul g young philip k y providing a learning environment by integrating a running case study and along with a capstone case this text is for managerial economics courses taught in business schools and economics departments paperback book english

**managerial economics 7th edition solutions and answers quizlet** - Jul 14 2023

web find step by step solutions and answers to managerial economics 9780133560329 as well as thousands of textbooks so you can move forward with confidence fresh features from the 1 ai enhanced learning platform

**managerial economics 7th edition samuelson solutions manual** - Jan 28 2022

web jan 18 2019 managerial economics is the analysis of important management decisions using the tools of economics most business decisions are motivated by the goal of maximizing the firm s profit the tools of managerial economics provide a guide to profit maximizing decisions 2 i multinational production and pricing

[managerial economics solution manual chegg com](#) - Aug 15 2023

web get instant access to our step by step managerial economics solutions manual our solution manuals are written by chegg experts so you can be assured of the highest quality

[reading book managerial economics 7th edition academia edu](#) - Dec 27 2021

web dr keat began his ibm career in the department of economic research and then moved into the long range planning area later as a member of the finance function he spent several years at ibm s european headquarters in paris as manager in the financial planning area and then as the financial manager for the company s european software business

**managerial economics by pau keat philip k young studylib net** - Aug 03 2022

web free essays homework help flashcards research papers book reports term papers history science politics

managerial economics files pearsoned de - Nov 06 2022

web managerial economics economic tools for today s decision makers seventh edition paul keat philip young stephen erfl e

managerial economics global edition table of contents cover contents preface about the authors chapter 1 introduction

**managerial economics keat paul g young philip k y** - Jun 01 2022

web by paul g keat author philip k y young author see all formats and editions paperback 99 46 4 used from 99 46 key benefit

this text will excite readers by providing a more linear progression while proving the consistency and relevance of microeconomic theory

**managerial economics 7th edition keat solutions manual issuu** - Sep 04 2022

web mar 28 2019 managerial economics 7th edition keat solutions manual by nehru michael issuu full download

alibabadownload com product managerial economics 7th edition keat solutions manual

**managerial economics 7th edition homework solutions** - May 12 2023

web managerial economics 7th edition homework solutions managerial economics 7th edition by paul keat philip k young

steve erfle 16 customer reviews for managerial economics

**managerial economics 7th edition textbook solutions chegg** - Apr 11 2023

web step 1 of 3 managerial economics deals with the decision making process whereby the tools of economics are used to

make rational decisions rational decisions are necessary to establish a competitive edge in the market step 2 of 3 the

objectives of private firms are different than the objectives of the government

**solutions manual for managerial economics 6th edition by paul keat** - Feb 26 2022

web complete downloadable solutions manual for managerial economics 6th edition by paul keat instructor resource

information title managerial economics resource solutions manual edition 6th editionauthor paul keat philip k young

publisher pearson download sample

*managerial economics paul keat philip k young studocu* - Jan 08 2023

web find all the study resources for managerial economics by paul keat philip k young

*managerial economics 7th edition by paul keat philip young* - Dec 07 2022

web managerial economics 7th philip k young is a comprehensive textbook designed to provide students with a thorough

understanding of the principles of managerial economics the book covers topics such as demand analysis production and cost

analysis pricing strategies market structure and competition and game theory