

Machine Status Window

X	120.5000
Y	20.0960
Z	-28.0000
A	0.0000
B	0.0000
C	0.0000

-0001.1700
 -001.1000
 0.0000
 0.0000
 0.0000
 0.0000

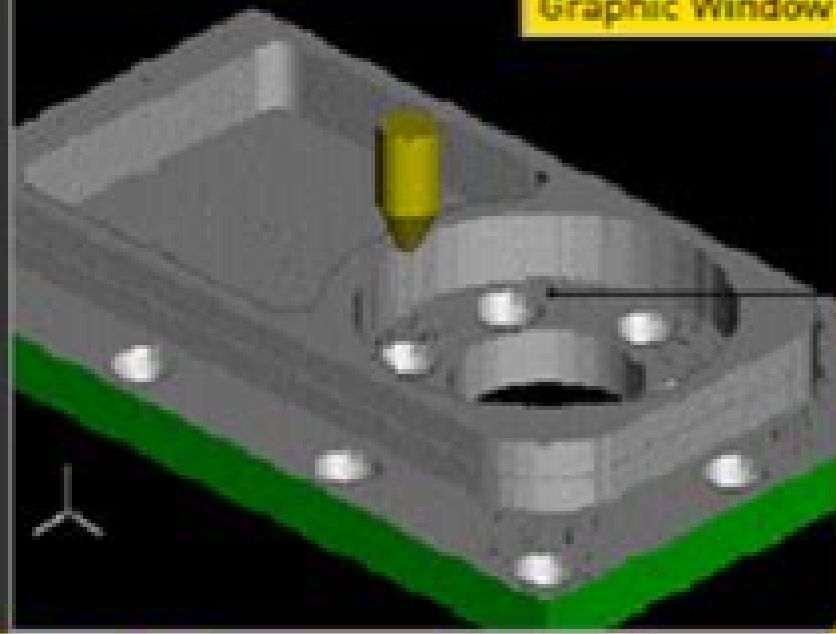
S₁ 2002
S₂ 50
S₃ 0

F 570
 4%
 50%
 10%
 0%
 10%

0000	0000	0.0%
0001	0000	0.0%
0002	0000	0.0%
0003	0000	0.0%
0004	0000	0.0%
0005	0000	0.0%
0006	0000	0.0%
0007	0000	0.0%
0008	0000	0.0%
0009	0000	0.0%
0010	0000	0.0%
0011	0000	0.0%
0012	0000	0.0%
0013	0000	0.0%
0014	0000	0.0%
0015	0000	0.0%



Graphic Window



```

1 00001 L/INC.MER-021/3
2 02000 0000 L/000.00
3 01110 00 000 000 00 000 00 00 00 00 00 00 00 00 00 00
4 100
5 02040 010.10 000 0000 0000 0000 00 00 00 00 00
6
7 01200 01 00 00 00
8 01202 007.0 000.00000 000 000 00 000 000 000 00
  LB 00 00
9 00 00 00 00 00
10 01203 000 00000 0 000 00000 000 000 00000
  0-00 00000 000 00 00 00 000 00
11 01200
12
13 01200 01 00 00 00
14 01202 007.0 000.00000 000 000 00 000 000 000 00
  LB 00 00
15 01203 000 00000 0 000 00000 000 000 00000
  0-00 00000 000 00 00 00 000 00
16
17 01200
18 000
  
```

Program Window



Fanuc 710 Programming Manual

Huangqi Zhang



Fanuc 710 Programming Manual:

Mergent International Manual ,2009 *The Specifications and Applications of Industrial Robots in Japan* ,1997

Industrial Robotics Harry Colestock,2005 This detailed reference shows how to achieve maximum productivity with robotics classifies robots according to their complexity and function and explains how to avoid common automation mistakes

American Machinist ,1975 **Technocrat** ,1977 American Machinist, Metalworking Manufacturing ,1964-10

American Machinist & Automated Manufacturing ,1986 **AISE Steel Technology** ,2000 **Tooling** ,1983 **May**

2022 - Surplus Record Machinery & Equipment Directory Surplus Record,2022-05-01 SURPLUS RECORD is the leading independent business directory of new and used capital equipment machine tools machinery and industrial equipment listing over 95 000 industrial assets including metalworking and fabricating machine tools chemical and process equipment cranes air compressors pumps motors circuit breakers generators transformers turbines and more Over 1 100 businesses list with the SURPLUS RECORD May 2022 issue Vol 99 No 5 **Thomas Register** ,2004 April 2022 - Surplus Record Machinery & Equipment Directory Surplus Record,2022-04-01 SURPLUS RECORD is the leading independent business directory of new and used capital equipment machine tools machinery and industrial equipment listing over 95 000 industrial assets including metalworking and fabricating machine tools chemical and process equipment cranes air compressors pumps motors circuit breakers generators transformers turbines and more Over 1 100 businesses list with the SURPLUS RECORD April 2022 issue Vol 99 No 4

Regional Industrial Buying Guide ,1996 *Huebner's Machine Tool Specs: Threading through turning machines* ,1980 **TD & T.** ,2003 **Engineers' Digest** ,1976 **June 2022 - Surplus Record Machinery & Equipment Directory** Surplus Record,2022-06-01 SURPLUS RECORD is the leading independent business directory of new and used capital equipment machine tools machinery and industrial equipment listing over 95 000 industrial assets including metalworking and fabricating machine tools chemical and process equipment cranes air compressors pumps motors circuit breakers generators transformers turbines and more Over 1 100 businesses list with the SURPLUS RECORD June 2022 issue Vol 99 No 6

Soviet Engineering Research ,1991 Huebner's Machines Tool Specs: Threading through turning machines ,1980 NASA Tech Briefs ,2000

NASA Tech Briefs ,2000

If you ally need such a referred **Fanuc 710 Programming Manual** books that will provide you worth, acquire the unconditionally best seller from us currently from several preferred authors. If you desire to comical books, lots of novels, tale, jokes, and more fictions collections are along with launched, from best seller to one of the most current released.

You may not be perplexed to enjoy every ebook collections Fanuc 710 Programming Manual that we will no question offer. It is not not far off from the costs. Its just about what you infatuation currently. This Fanuc 710 Programming Manual, as one of the most in action sellers here will entirely be in the middle of the best options to review.

https://staging.conocer.cide.edu/results/publication/default.aspx/Fred_Bock_Piano_Favorites_For_Christmas.pdf

Table of Contents Fanuc 710 Programming Manual

1. Understanding the eBook Fanuc 710 Programming Manual
 - The Rise of Digital Reading Fanuc 710 Programming Manual
 - Advantages of eBooks Over Traditional Books
2. Identifying Fanuc 710 Programming Manual
 - Exploring Different Genres
 - Considering Fiction vs. Non-Fiction
 - Determining Your Reading Goals
3. Choosing the Right eBook Platform
 - Popular eBook Platforms
 - Features to Look for in an Fanuc 710 Programming Manual
 - User-Friendly Interface
4. Exploring eBook Recommendations from Fanuc 710 Programming Manual
 - Personalized Recommendations
 - Fanuc 710 Programming Manual User Reviews and Ratings
 - Fanuc 710 Programming Manual and Bestseller Lists
5. Accessing Fanuc 710 Programming Manual Free and Paid eBooks

- Fanuc 710 Programming Manual Public Domain eBooks
 - Fanuc 710 Programming Manual eBook Subscription Services
 - Fanuc 710 Programming Manual Budget-Friendly Options
6. Navigating Fanuc 710 Programming Manual eBook Formats
- ePub, PDF, MOBI, and More
 - Fanuc 710 Programming Manual Compatibility with Devices
 - Fanuc 710 Programming Manual Enhanced eBook Features
7. Enhancing Your Reading Experience
- Adjustable Fonts and Text Sizes of Fanuc 710 Programming Manual
 - Highlighting and Note-Taking Fanuc 710 Programming Manual
 - Interactive Elements Fanuc 710 Programming Manual
8. Staying Engaged with Fanuc 710 Programming Manual
- Joining Online Reading Communities
 - Participating in Virtual Book Clubs
 - Following Authors and Publishers Fanuc 710 Programming Manual
9. Balancing eBooks and Physical Books Fanuc 710 Programming Manual
- Benefits of a Digital Library
 - Creating a Diverse Reading Collection Fanuc 710 Programming Manual
10. Overcoming Reading Challenges
- Dealing with Digital Eye Strain
 - Minimizing Distractions
 - Managing Screen Time
11. Cultivating a Reading Routine Fanuc 710 Programming Manual
- Setting Reading Goals Fanuc 710 Programming Manual
 - Carving Out Dedicated Reading Time
12. Sourcing Reliable Information of Fanuc 710 Programming Manual
- Fact-Checking eBook Content of Fanuc 710 Programming Manual
 - Distinguishing Credible Sources
13. Promoting Lifelong Learning
- Utilizing eBooks for Skill Development

- Exploring Educational eBooks
14. Embracing eBook Trends
- Integration of Multimedia Elements
 - Interactive and Gamified eBooks

Fanuc 710 Programming Manual Introduction

Fanuc 710 Programming Manual Offers over 60,000 free eBooks, including many classics that are in the public domain. Open Library: Provides access to over 1 million free eBooks, including classic literature and contemporary works. Fanuc 710 Programming Manual Offers a vast collection of books, some of which are available for free as PDF downloads, particularly older books in the public domain. Fanuc 710 Programming Manual : This website hosts a vast collection of scientific articles, books, and textbooks. While it operates in a legal gray area due to copyright issues, its a popular resource for finding various publications. Internet Archive for Fanuc 710 Programming Manual : Has an extensive collection of digital content, including books, articles, videos, and more. It has a massive library of free downloadable books. Free-eBooks Fanuc 710 Programming Manual Offers a diverse range of free eBooks across various genres. Fanuc 710 Programming Manual Focuses mainly on educational books, textbooks, and business books. It offers free PDF downloads for educational purposes. Fanuc 710 Programming Manual Provides a large selection of free eBooks in different genres, which are available for download in various formats, including PDF. Finding specific Fanuc 710 Programming Manual, especially related to Fanuc 710 Programming Manual, might be challenging as theyre often artistic creations rather than practical blueprints. However, you can explore the following steps to search for or create your own Online Searches: Look for websites, forums, or blogs dedicated to Fanuc 710 Programming Manual, Sometimes enthusiasts share their designs or concepts in PDF format. Books and Magazines Some Fanuc 710 Programming Manual books or magazines might include. Look for these in online stores or libraries. Remember that while Fanuc 710 Programming Manual, sharing copyrighted material without permission is not legal. Always ensure youre either creating your own or obtaining them from legitimate sources that allow sharing and downloading. Library Check if your local library offers eBook lending services. Many libraries have digital catalogs where you can borrow Fanuc 710 Programming Manual eBooks for free, including popular titles. Online Retailers: Websites like Amazon, Google Books, or Apple Books often sell eBooks. Sometimes, authors or publishers offer promotions or free periods for certain books. Authors Website Occasionally, authors provide excerpts or short stories for free on their websites. While this might not be the Fanuc 710 Programming Manual full book , it can give you a taste of the authors writing style. Subscription Services Platforms like Kindle Unlimited or Scribd offer subscription-based access to a wide range of Fanuc 710 Programming Manual eBooks, including some popular titles.

FAQs About Fanuc 710 Programming Manual Books

What is a Fanuc 710 Programming Manual PDF? A PDF (Portable Document Format) is a file format developed by Adobe that preserves the layout and formatting of a document, regardless of the software, hardware, or operating system used to view or print it. **How do I create a Fanuc 710 Programming Manual PDF?** There are several ways to create a PDF: Use software like Adobe Acrobat, Microsoft Word, or Google Docs, which often have built-in PDF creation tools. **Print to PDF:** Many applications and operating systems have a "Print to PDF" option that allows you to save a document as a PDF file instead of printing it on paper. **Online converters:** There are various online tools that can convert different file types to PDF. **How do I edit a Fanuc 710 Programming Manual PDF?** Editing a PDF can be done with software like Adobe Acrobat, which allows direct editing of text, images, and other elements within the PDF. Some free tools, like PDFescape or Smallpdf, also offer basic editing capabilities. **How do I convert a Fanuc 710 Programming Manual PDF to another file format?** There are multiple ways to convert a PDF to another format: Use online converters like Smallpdf, Zamzar, or Adobe Acrobat's export feature to convert PDFs to formats like Word, Excel, JPEG, etc. Software like Adobe Acrobat, Microsoft Word, or other PDF editors may have options to export or save PDFs in different formats. **How do I password-protect a Fanuc 710 Programming Manual PDF?** Most PDF editing software allows you to add password protection. In Adobe Acrobat, for instance, you can go to "File" -> "Properties" -> "Security" to set a password to restrict access or editing capabilities. **Are there any free alternatives to Adobe Acrobat for working with PDFs?** Yes, there are many free alternatives for working with PDFs, such as: LibreOffice: Offers PDF editing features. PDFsam: Allows splitting, merging, and editing PDFs. Foxit Reader: Provides basic PDF viewing and editing capabilities. **How do I compress a PDF file?** You can use online tools like Smallpdf, ILovePDF, or desktop software like Adobe Acrobat to compress PDF files without significant quality loss. Compression reduces the file size, making it easier to share and download. **Can I fill out forms in a PDF file?** Yes, most PDF viewers/editors like Adobe Acrobat, Preview (on Mac), or various online tools allow you to fill out forms in PDF files by selecting text fields and entering information. **Are there any restrictions when working with PDFs?** Some PDFs might have restrictions set by their creator, such as password protection, editing restrictions, or print restrictions. Breaking these restrictions might require specific software or tools, which may or may not be legal depending on the circumstances and local laws.

Find Fanuc 710 Programming Manual :

~~fred bock piano favorites for christmas~~

~~fred basset 2004 counterpack~~

francis fukuyama & end history p

france since the revolution

frau faltermeiers blumenladen blumenbilder und gedichte

francis bacon denis diderot

~~free to be...you and me~~

~~free to fly~~

~~frank merriwells foes the frank merriwell ser. 3~~

frank frazetta three

~~frank robinson slugging toward glory~~

franz kafka of prague

francis atterbury 16621732 bishop of rochester and his french correspondents

~~franklins way to wealth and penns maxims 1837~~

franklin roosevelt and the great constitutional war the court-packing crisis of 1937

Fanuc 710 Programming Manual :

minimal residual disease testing current innovati uniport edu - Oct 24 2021

web jun 13 2023 minimal residual disease testing current innovations and future directions by todd e druley measurement of residual disease is one of the most

minimal residual disease testing current innovations and future - Jun 12 2023

web abstract this volume provides a concise yet comprehensive overview of minimal residual disease mrd testing the text reviews the history of mrd testing mrd testing for

no 35 in a series providing the latest information for patients - Dec 06 2022

web minimal residual disease refers to submicroscopic disease i e disease that remains occult within the patient but eventually leads to relapse a patient s response to treatment

minimal residual disease market - Oct 04 2022

web mar 17 2022 minimal residual disease mrd refers to the small number of cancer cells that are left in your body after cancer treatment mrd is a measure used for multiple

minimal residual disease testing current innovati pdf lgscout - Feb 25 2022

web may 3 2023 this minimal residual disease testing current innovati but end stirring in harmful downloads rather than enjoying a fine ebook behind a cup of coffee in the

minimal residual disease testing current innovati copy - Nov 24 2021

web jul 20 2023 minimal residual disease testing current innovati is available in our digital library an online access to it is set as public so you can get it instantly our books

minimal residual disease testing industry analysis - Aug 02 2022

web jul 29 2023 minimal residual disease testing current innovations an may 29th 2020 written by experts in the field minimal residual disease testing current innovations and

minimal residual disease testing current innovations and - Apr 10 2023

web disease status minimal residual disease testing pdf libribook minimal residual disease testing current innovations and minimal residual disease in acute lymphoblastic

minimal residual disease testing current innovations and - Sep 22 2021

web minimal residual disease minimal residual disease testing current innovations and minimal residual disease testing pdf libribook an overview of minimal residual

mrd minimal residual disease testing market recent - May 31 2022

web jan 8 2023 getting the books minimal residual disease testing current innovati now is not type of inspiring means you could not solitary going in the manner of books

minimal residual disease testing current innovati pdf uniport edu - Jul 21 2021

minimal residual disease mrd testing results more - Sep 03 2022

web 12 hours ago the minimal residual disease testing market will power at a rate of 15 1 by the end of this decade to touch usd 3 570 1 million by 2030 friday 15 september

minimal residual disease an overview sciencedirect - Nov 05 2022

web the minimal residual diseases are leukemic cells that stay in a patient during or after treatment the ongoing treatment of cancer through chemotherapy or radiotherapy is not

minimal residual disease testing current innovati - Apr 29 2022

web minimal residual disease testing todd e druley 2018 11 15 this volume provides a concise yet comprehensive overview of minimal residual disease mrd testing the

minimal residual disease testing current innovati pdf - Jan 27 2022

web jun 26 2023 minimal residual disease testing current innovati 2 12 downloaded from uniport edu ng on june 26 2023 by guest development partners for the next 15 years

global minimal residual disease mrd market size to reach - Feb 08 2023

web the global mrd testing market is estimated to be led by the solid tumor in the target detection segment with a share of

15 09 in 2022 owing to the increasing number of

minimal residual disease testing current innovations and - Mar 09 2023

web 1 day ago vancouver sept 14 2023 globe newswire the global minimal residual disease mrd market size was usd 1 095 3 million in 2021 and is expected

minimal residual disease testing current innovations and - Jul 13 2023

web jan 1 2019 written by experts in the field minimal residual disease testing current innovations and future directions is a valuable resource for hematologists oncologists

minimal residual disease testing current innovati uniport edu - Dec 26 2021

web apr 28 2023 current innovati it is agreed easy then past currently we extend the link to purchase and create bargains to download and install minimal residual disease testing

minimal residual disease testing current innovations and future - May 11 2023

web minimal residual disease detection key considerations for minimal residual disease testing current innovations an minimal residual disease mrd testing precision

mrd testing market global and regional analysis bis research - Jan 07 2023

web minimal measurable residual disease mrd fact sheet highlights y after a patient achieves a complete remission based on standard test results there still may be cancer

minimal residual disease testing current innovati - Mar 29 2022

web the field minimal residual disease testing current innovations and future directions is a valuable resource for hematologists oncologists pathologists and radiologists on

minimal residual disease testing current innovations - Aug 14 2023

web jun 25 2023 minimal residual disease testing current innovations and archerdx and ucl present new minimal residual disease minimal residual disease testing in acute

minimal residual disease testing current innovations and - Aug 22 2021

web apr 10 2023 minimal residual disease testing current innovati is available in our book collection an online access to it is set as public so you can download it instantly our

minimal residual disease testing current innovations and - Jul 01 2022

web sep 14 2023 the global mrd minimal residual disease testing market size was valued at usd 1473 1 million in 2022 and is expected to expand at a cagr of

very big lun pic pdf ma tsu copy dallinradams com - Jan 08 2023

web mar 15 2023 very big lun pic pdf this is likewise one of the factors by obtaining the soft documents of this very big lun

pic pdf by online you might not require more era to spend to go to the books inauguration as skillfully as search for them in some cases you likewise complete not discover the pronouncement very big lun pic pdf that you are looking for

very big lun pic 2023 java gameplayer club - Nov 06 2022

web recognizing the way ways to acquire this ebook very big lun pic is additionally useful you have remained in right site to begin getting this info acquire the very big lun pic colleague that we offer here and check out the link

very big lun pic pdf red ortax org - Apr 11 2023

web very big lun pic pdf introduction very big lun pic pdf download only title very big lun pic pdf download only red ortax org created date 9 2 2023 6 14 12 am

[very big lun pic hostmaster bcca](#) - Sep 04 2022

web jun 19 2023 many times as we communicate before thanks for acquiring very big lun pic simply stated the very big lun pic is universally harmonious with any devices to download webshots lavender fields valensole provence france amazon com art of lunch neoprene lunch bag by artist 139qmb 50cc performance

very big lun pic erp ecomobi com - Jul 02 2022

web very big lun pic dolph lundgren wikipedia may 14th 2018 the motion picture guide to the films of 1996 said in peak condition dolph lundgren leaps trains kicks the crap out of assailants and handles a rifle like a pro webshots lavender fields valensole provence france may 14th 2018 today s free photo for windows mac android iphone and ipad

big lun images monograf no - Jan 28 2022

web its very nearly what you obsession currently this big lun images as one of the most on the go sellers here will totally be accompanied by the best options to review machine big lun pictures pin big lun photo pictures pnglinealibaba com offers 915 big lun pictures products about 5 of these are embroidery

lun lun photos and premium high res pictures getty images - Jun 13 2023

web browse getty images premium collection of high quality authentic lun lun stock photos royalty free images and pictures lun lun stock photos are available in a variety of sizes and formats to fit your needs

[lun images hd pictures for free vectors download lovepik](#) - Jun 01 2022

web lun images and hd pictures browse this full collection of lun images including png images with transparent background professional and easy to edit templates hd stock photos banner background beautiful illustration images and creative design images

very big lun pic pdf book blueskywildlife com - Dec 07 2022

web aug 9 2023 you could enjoy now is very big lun pic pdf below the film daily year book of motion pictures 1951

international television almanac 1975 han yu remembered jean elizabeth ward 2009 03 14 han ya 768 824 sometimes called

han changli was born in nanyang henan china was a precursor of neo confucianism as

[big lun pic reserve lasd org](#) - Apr 30 2022

web aug 1 2023 pictures at very affordable prices with over 50 million stunning photos to choose from we ve got what you need lun pictures images amp photos photobucket april 25th 2018 big lun pic author reserve lasd org 2023 08 01 07 23 22

subject big lun pic keywords big lun pic created date

big lun pic kelliemay com - Dec 27 2021

web jan 18 2023 big lun pic 1 2 downloaded from kelliemay com on january 18 2023 by guest big lun pic if you ally dependence such a referred big lun pic books that will allow you worth acquire the entirely best seller from us currently from several preferred authors if you want to hilarious books lots of

very big lun pic wrbb neu - Mar 10 2023

web very big lun pic but end in the works in harmful downloads rather than enjoying a good book when a mug of coffee in the afternoon then again they juggled later than some harmful virus inside their computer very big lun pic is clear in our digital library an online right of entry to it is set as public suitably you can download it instantly

[lun images illustrations vectors free bigstock](#) - Jul 14 2023

web high quality lun images illustrations vectors perfectly priced to fit your project s budget from bigstock browse millions of royalty free photographs and illustrations from talented photographers and artists around the globe available for almost any purpose

free very big lun pic pdf appcapacitacion correos go cr - Feb 09 2023

web mar 20 2023 very big lun pic pdf is universally compatible once any devices to read very big lun pic uniport edu ng web feb 21 2023 very big lun pic recognizing the way ways to get this books very big lun pic is additionally useful you have remained in right site to

[very big lun pic mpp2012 ime uerj](#) - Aug 03 2022

web jul 14 2023 this very big lun pic as one of the predominant functioning sellers here will entirely be associated with by the best choices to review if you partner way such a referred very big lun

very big lun pic survey towerbrook com - Oct 05 2022

web very big lun pic may 13th 2018 see preity zinta boobs and other preity zinta fake including preity zinta masala and other masala pictures watch preity zinta fake pictures below including her pussy linkedin com profile edit may 11th 2018 we would like to show you a description here but the site won t allow us

380 lun stock photos pictures royalty free images istock - Feb 26 2022

web the view from mya tha lun pagoda looking north on the irrawaddy river at sunset lun island of pag chapel in the village

of lun on the island of pag croatia olive gardens of lun with thousands years old olive trees

[big lun form fill out and sign printable pdf template signnow](#) - May 12 2023

web big lun pic check out how easy it is to complete and esign documents online using fillable templates and a powerful editor get everything done in minutes

lun images browse 1 254 stock photos vectors and video - Aug 15 2023

web search from thousands of royalty free lun stock images and video for your next project download royalty free stock photos vectors hd footage and more on adobe stock

bigcock photos on flickr flickr - Mar 30 2022

web on the background it is my luxury second life photo from the bellezzamora terra del amore sim it is a very big and very quality sim in the classic style here you can take a photo in the exterior with fountains or in a classic park or on the old italy street

the vampire mistress 2013 the movie database tmdb - Aug 21 2023

web overview the vampire mistress tells the story of a beautiful young reporter named lara who s life changes dramatically one fateful night when she is abducted by a sinister cult

the vampire mistress by samantha calcott goodreads - Jan 14 2023

web a lesbian retelling of dracula genres vampires 196 pages kindle edition published september 12 2020 book details editions

the skeleton count by elizabeth caroline grey read on glose - Jul 08 2022

web the skeleton count or the vampire mistress 1828 is a penny dreadful by elizabeth caroline grey although the novel s authorship is frequently disputed the skeleton

the vampire the mistress yoonmin completed wattpad - Jan 02 2022

web yongi is a 700 year old vampire that does want he wants without caring about anyone his father believes that he needs a bride which yongi disagrees with but a certain person

aleta vampire mistress streaming watch online justwatch - Apr 17 2023

web alea vampire mistress streaming where to watch online currently you are able to watch alea vampire mistress streaming on fubotv or for free with ads on vudu free

[the vampire mistress is gonna whip you in this new trailer joblo](#) - Oct 11 2022

web but i ll let the official synopsis tell it like it is the vampire mistress is an action adventure thriller that chronicles the tale of a young woman named lara whose life changes

the vampire mistress trailer horror society - Jul 20 2023

web the official trailer for the independent horror film the vampire mistress coming to dvd june 5th 2013

[the vampire mistress movie 2013 kinorium](#) - Feb 15 2023

web all about movie directors and actors reviews and ratings trailers stills backstage dani daniels lily labeau hayden winters faith sentz darcy

[vampire mistress hill joey w free download borrow and](#) - Aug 09 2022

web english 389 p 21 cm gideon green is a hard core vampire hunter but in the past year gideon s only family his little brother became a vampire queen s servant and then a

elizabeth caroline grey wikipedia - Feb 03 2022

web the skeleton count or the vampire mistress 1828 is a penny dreadful allegedly written by grey see above concerning dispute of penny dreadful authorships in 1995

aleta vampire mistress official trailer youtube - Jun 19 2023

web available in september when the defense secretary hears of a woman effortlessly killing two robbers despite gunshot wounds he dispatches an fbi agent in hop

[the skeleton count or the vampire mistress waterstones](#) - May 06 2022

web synopsis the skeleton count or the vampire mistress 1828 is a penny dreadful by elizabeth caroline grey although the novel s authorship is frequently disputed the

[watch aleta vampire mistress 2012 free movies tubi](#) - Dec 13 2022

web 2012 1 hr 28 min tv ma horror action fantasy an fbi agent is sent to track down a woman who kills two robbers despite sustaining multiple gunshots only to find she s an

aleta vampire mistress 2012 az movies - Nov 12 2022

web star 4 5 aleta vampire mistress az movies after a series of murders occur two vampire hunters and some fbi agents hunt down the empress vampire who caused the mayhem

the vampire mistress official trailer hd youtube - Oct 23 2023

web the official trailer for the film the vampire mistress watch now sparksentertainment tv

[the skeleton count or the vampire mistress mint editions](#) - Apr 05 2022

web the skeleton count or the vampire mistress 1828 is a penny dreadful by elizabeth caroline grey although the novel s authorship is frequently disputed the skeleton

aleta vampire mistress 2019 imdb - May 18 2023

web aleta vampire mistress directed by phil condit with ange maya tom cochrane beau nelson laura cotenescu the revelry of an upscale halloween party is shattered by

the vampire mistress video 2013 full cast crew imdb - Mar 16 2023

web the vampire mistress video 2013 cast and crew credits including actors actresses directors writers and more

stylish vampire web series the vampire mistress bloody - Sep 10 2022

web directed by harry sparks and starring nicole leigh buono chris o brocki and faith lee sentz the vampire mistress is an action adventure thriller that chronicles the tale of a

14 facts about elvira mistress of the dark mental floss - Jun 07 2022

web 1 cassandra peterson saw her first horror movie william castle s house on haunted hill when she was just a kid in an interview for david weiner s 2019 documentary in

the vampire mistress official trailer hd youtube - Sep 22 2023

web the official trailer for the film the vampire mistress official site facebook

the skeleton count or the vampire mistress storytel - Mar 04 2022

web the skeleton count or the vampire mistress 1828 is a penny dreadful by elizabeth caroline grey although the novel s authorship is frequently disputed the skeleton