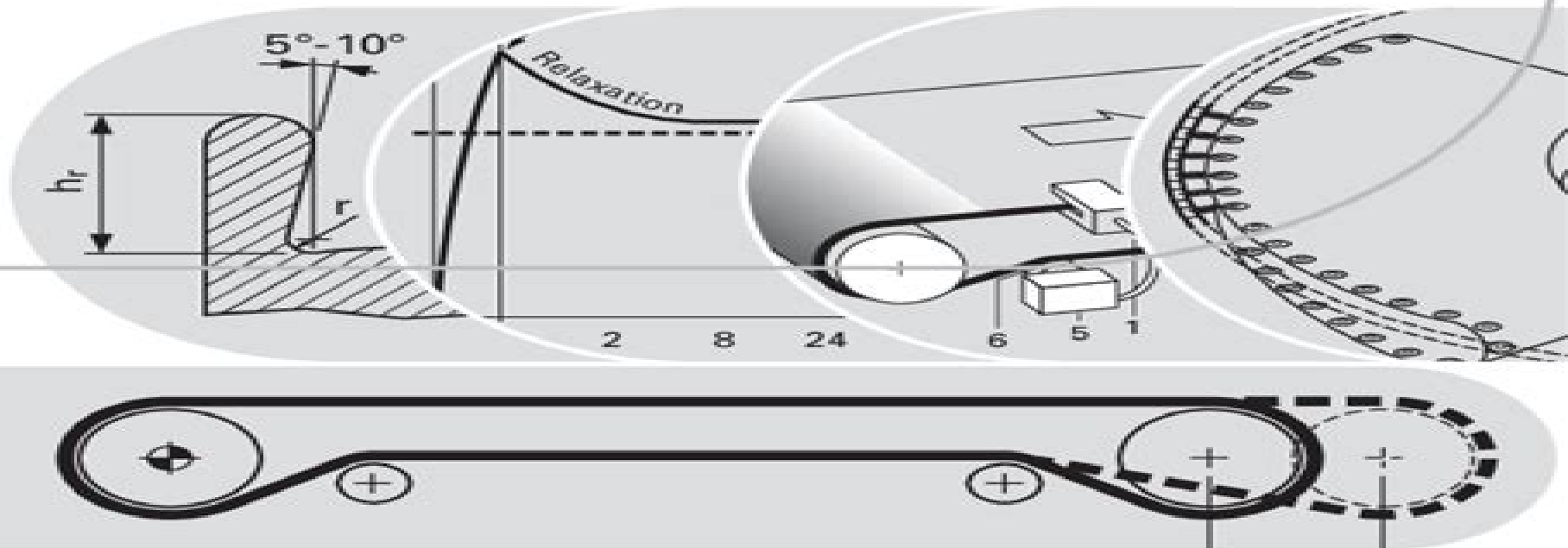


# Fabric Conveyor Belts Engineering Guide

Habasit – Solutions in motion



# Fabric Conveyor Belts Engineering Guide

**SB Merriam**



**Fabric Conveyor Belts Engineering Guide:**

As recognized, adventure as skillfully as experience nearly lesson, amusement, as competently as pact can be gotten by just checking out a book **Fabric Conveyor Belts Engineering Guide** plus it is not directly done, you could understand even more not far off from this life, a propos the world.

We offer you this proper as skillfully as simple mannerism to acquire those all. We provide Fabric Conveyor Belts Engineering Guide and numerous books collections from fictions to scientific research in any way. along with them is this Fabric Conveyor Belts Engineering Guide that can be your partner.

[https://staging.conocer.cide.edu/results/scholarship/Download\\_PDFS/mercury%20650%201969%20repair%20manual.pdf](https://staging.conocer.cide.edu/results/scholarship/Download_PDFS/mercury%20650%201969%20repair%20manual.pdf)

## **Table of Contents Fabric Conveyor Belts Engineering Guide**

1. Understanding the eBook Fabric Conveyor Belts Engineering Guide
  - The Rise of Digital Reading Fabric Conveyor Belts Engineering Guide
  - Advantages of eBooks Over Traditional Books
2. Identifying Fabric Conveyor Belts Engineering Guide
  - Exploring Different Genres
  - Considering Fiction vs. Non-Fiction
  - Determining Your Reading Goals
3. Choosing the Right eBook Platform
  - Popular eBook Platforms
  - Features to Look for in an Fabric Conveyor Belts Engineering Guide
  - User-Friendly Interface
4. Exploring eBook Recommendations from Fabric Conveyor Belts Engineering Guide
  - Personalized Recommendations
  - Fabric Conveyor Belts Engineering Guide User Reviews and Ratings
  - Fabric Conveyor Belts Engineering Guide and Bestseller Lists
5. Accessing Fabric Conveyor Belts Engineering Guide Free and Paid eBooks

- Fabric Conveyor Belts Engineering Guide Public Domain eBooks
  - Fabric Conveyor Belts Engineering Guide eBook Subscription Services
  - Fabric Conveyor Belts Engineering Guide Budget-Friendly Options
6. Navigating Fabric Conveyor Belts Engineering Guide eBook Formats
    - ePub, PDF, MOBI, and More
    - Fabric Conveyor Belts Engineering Guide Compatibility with Devices
    - Fabric Conveyor Belts Engineering Guide Enhanced eBook Features
  7. Enhancing Your Reading Experience
    - Adjustable Fonts and Text Sizes of Fabric Conveyor Belts Engineering Guide
    - Highlighting and Note-Taking Fabric Conveyor Belts Engineering Guide
    - Interactive Elements Fabric Conveyor Belts Engineering Guide
  8. Staying Engaged with Fabric Conveyor Belts Engineering Guide
    - Joining Online Reading Communities
    - Participating in Virtual Book Clubs
    - Following Authors and Publishers Fabric Conveyor Belts Engineering Guide
  9. Balancing eBooks and Physical Books Fabric Conveyor Belts Engineering Guide
    - Benefits of a Digital Library
    - Creating a Diverse Reading Collection Fabric Conveyor Belts Engineering Guide
  10. Overcoming Reading Challenges
    - Dealing with Digital Eye Strain
    - Minimizing Distractions
    - Managing Screen Time
  11. Cultivating a Reading Routine Fabric Conveyor Belts Engineering Guide
    - Setting Reading Goals Fabric Conveyor Belts Engineering Guide
    - Carving Out Dedicated Reading Time
  12. Sourcing Reliable Information of Fabric Conveyor Belts Engineering Guide
    - Fact-Checking eBook Content of Fabric Conveyor Belts Engineering Guide
    - Distinguishing Credible Sources
  13. Promoting Lifelong Learning
    - Utilizing eBooks for Skill Development

- Exploring Educational eBooks
- 14. Embracing eBook Trends
  - Integration of Multimedia Elements
  - Interactive and Gamified eBooks

### **Fabric Conveyor Belts Engineering Guide Introduction**

In this digital age, the convenience of accessing information at our fingertips has become a necessity. Whether its research papers, eBooks, or user manuals, PDF files have become the preferred format for sharing and reading documents. However, the cost associated with purchasing PDF files can sometimes be a barrier for many individuals and organizations. Thankfully, there are numerous websites and platforms that allow users to download free PDF files legally. In this article, we will explore some of the best platforms to download free PDFs. One of the most popular platforms to download free PDF files is Project Gutenberg. This online library offers over 60,000 free eBooks that are in the public domain. From classic literature to historical documents, Project Gutenberg provides a wide range of PDF files that can be downloaded and enjoyed on various devices. The website is user-friendly and allows users to search for specific titles or browse through different categories. Another reliable platform for downloading Fabric Conveyor Belts Engineering Guide free PDF files is Open Library. With its vast collection of over 1 million eBooks, Open Library has something for every reader. The website offers a seamless experience by providing options to borrow or download PDF files. Users simply need to create a free account to access this treasure trove of knowledge. Open Library also allows users to contribute by uploading and sharing their own PDF files, making it a collaborative platform for book enthusiasts. For those interested in academic resources, there are websites dedicated to providing free PDFs of research papers and scientific articles. One such website is Academia.edu, which allows researchers and scholars to share their work with a global audience. Users can download PDF files of research papers, theses, and dissertations covering a wide range of subjects. Academia.edu also provides a platform for discussions and networking within the academic community. When it comes to downloading Fabric Conveyor Belts Engineering Guide free PDF files of magazines, brochures, and catalogs, Issuu is a popular choice. This digital publishing platform hosts a vast collection of publications from around the world. Users can search for specific titles or explore various categories and genres. Issuu offers a seamless reading experience with its user-friendly interface and allows users to download PDF files for offline reading. Apart from dedicated platforms, search engines also play a crucial role in finding free PDF files. Google, for instance, has an advanced search feature that allows users to filter results by file type. By specifying the file type as "PDF," users can find websites that offer free PDF downloads on a specific topic. While downloading Fabric Conveyor Belts Engineering Guide free PDF files is convenient, its important to note that copyright laws must be respected. Always ensure

that the PDF files you download are legally available for free. Many authors and publishers voluntarily provide free PDF versions of their work, but its essential to be cautious and verify the authenticity of the source before downloading Fabric Conveyor Belts Engineering Guide. In conclusion, the internet offers numerous platforms and websites that allow users to download free PDF files legally. Whether its classic literature, research papers, or magazines, there is something for everyone. The platforms mentioned in this article, such as Project Gutenberg, Open Library, Academia.edu, and Issuu, provide access to a vast collection of PDF files. However, users should always be cautious and verify the legality of the source before downloading Fabric Conveyor Belts Engineering Guide any PDF files. With these platforms, the world of PDF downloads is just a click away.

### FAQs About Fabric Conveyor Belts Engineering Guide Books

1. Where can I buy Fabric Conveyor Belts Engineering Guide books? Bookstores: Physical bookstores like Barnes & Noble, Waterstones, and independent local stores. Online Retailers: Amazon, Book Depository, and various online bookstores offer a wide range of books in physical and digital formats.
2. What are the different book formats available? Hardcover: Sturdy and durable, usually more expensive. Paperback: Cheaper, lighter, and more portable than hardcovers. E-books: Digital books available for e-readers like Kindle or software like Apple Books, Kindle, and Google Play Books.
3. How do I choose a Fabric Conveyor Belts Engineering Guide book to read? Genres: Consider the genre you enjoy (fiction, non-fiction, mystery, sci-fi, etc.). Recommendations: Ask friends, join book clubs, or explore online reviews and recommendations. Author: If you like a particular author, you might enjoy more of their work.
4. How do I take care of Fabric Conveyor Belts Engineering Guide books? Storage: Keep them away from direct sunlight and in a dry environment. Handling: Avoid folding pages, use bookmarks, and handle them with clean hands. Cleaning: Gently dust the covers and pages occasionally.
5. Can I borrow books without buying them? Public Libraries: Local libraries offer a wide range of books for borrowing. Book Swaps: Community book exchanges or online platforms where people exchange books.
6. How can I track my reading progress or manage my book collection? Book Tracking Apps: Goodreads, LibraryThing, and Book Catalogue are popular apps for tracking your reading progress and managing book collections. Spreadsheets: You can create your own spreadsheet to track books read, ratings, and other details.
7. What are Fabric Conveyor Belts Engineering Guide audiobooks, and where can I find them? Audiobooks: Audio

recordings of books, perfect for listening while commuting or multitasking. Platforms: Audible, LibriVox, and Google Play Books offer a wide selection of audiobooks.

8. How do I support authors or the book industry? Buy Books: Purchase books from authors or independent bookstores. Reviews: Leave reviews on platforms like Goodreads or Amazon. Promotion: Share your favorite books on social media or recommend them to friends.
9. Are there book clubs or reading communities I can join? Local Clubs: Check for local book clubs in libraries or community centers. Online Communities: Platforms like Goodreads have virtual book clubs and discussion groups.
10. Can I read Fabric Conveyor Belts Engineering Guide books for free? Public Domain Books: Many classic books are available for free as they're in the public domain. Free E-books: Some websites offer free e-books legally, like Project Gutenberg or Open Library.

### Find Fabric Conveyor Belts Engineering Guide :

[mercury 650 1969 repair manual](#)

**mercury 1972 50 hp 4 stroke manual**

**mercury mercruiser trim motor diagram**

*mercury mariner outboard 175hp 175 efi service repair manual 1992 onwards*

[mercruiser motors 120hp manual](#)

*mercury 75hp 3-cyl 2-stroke manual*

**mercury 75 hp 4 stroke 2005 manual**

[mercury mariner 25 marathon 25 seapro service manual](#)

[mercruiser number 4 service manual](#)

**mercury 25hp 4 stroke manual**

**mercruiser stern drive engine service repair manual 92 01**

[mercruiser sterndrive workshop repair manual all 1992 2001 models covered](#)

*mercury boat motor parts*

**mercury 30hp 4 stroke manual 2007**

**mercruiser service manual 32 4 3l mpi gasoline engine**



**Fabric Conveyor Belts Engineering Guide :**

*bismarckturme architektur geschichte landschaftse pdf copy* - Jan 14 2023

web may 18 2023 bismarckturme architektur geschichte landschaftse pdf bismarckturme architektur geschichte landschaftse is available in our digital library an online access to it is set as public so you can download it instantly our book servers hosts in multiple locations allowing you to get the most less

**bismarcktürme architektur geschichte landschaftserlebnis by** - Apr 05 2022

web geschichte landschaftserlebnis demo geografox geschichte der architektur und städtebau wettbewerbe bismarckdenkmal de linkfang geschichte der bismarcktürme bismarcktuerme de das heimischer experte in sachen bismarcktürme ikz online de read bismarckturme

**bismarckturme architektur geschichtelandschaftse download** - Aug 09 2022

web bismarckturme architektur geschichtelandschaftse 5 5 movement of the late 1890s notions that were introduced in style architecture and building art became

*bismarcktürme architektur geschichte landschaftserlebnis by* - Jul 08 2022

web november 15th 2019 bismarcktürme architektur geschichte landschaftserlebnis bismarckturm leipzig october 11 2014 heute großes drachenfest am bismarckturm leipzig von 10 bis 16 uhr gibt es spiele spaß und natürlich drachensteigen bismarckturm leipzig shared a video september 8 2014 geschichte der architektur 2 5 18 jahrhundert mate *bismarckturme architektur geschichte landschaftse pdf* - Feb 15 2023

web bismarckturme architektur geschichte landschaftse extracts from english literature sep 07 2023 theories of globalization oct 08 2023 theories of globalization offers students and scholars a comprehensive and critical introduction to the concept of globalization barrie axford expertly guides readers through the full range of perspectives on

**bismarckturme architektur geschichte landschaftse book** - May 18 2023

web architektur und politische ikonographie seit der frühen neuzeit sowie städtebau und denkmalpflege vom 19 jahrhundert bis zur gegenwart geschichte der architektur nov 30 2021 geschichte der architektur von den ältesten zeiten bis auf die gegenwart dargestellt von dr wilhelm lübke jul 27 2021 geschichte der architektur dec 20

**bismarcktürme architektur geschichte landschaftserlebnis by** - Jul 20 2023

web bismarcktürme architektur geschichte landschaftserlebnis by alfred büllsbach architektur geschichte landschaftserlebnis in deutschland stehen heute noch 146 bismarcktürme viele von ihnen dienen heute wie damals als aussichtstürme sie sind zeugnis eines einzigartigen personenkultes und baugeschichtliches kuriosum

*bismarcktürme architektur geschichte landschaftserlebnis by* - Jun 07 2022

web oct 1 2023 bismarcktürme architektur geschichte landschaftserlebnis liste berühmte architekten amp beste baumeister

bauwerke geschichte der bismarcktürme bismarcktuerme de das bismarckdenkmal bismarcktürme aussichtstürme in deutschen mittelgebirgen bismarckturm altenkirchen bismarck turo wikipedia gfbg nachrichten

*bismarcktürme architektur geschichte landschaftserlebnis by* - Jun 19 2023

web bismarckturme architektur geschichte bismarckdenkmal de linkfang rückblick 2015 iserlohn bücher über architektur auf deutsch günstig kaufen ebay bismarcktürme architektur geschichte landschaftserlebnis deutsche landschaften und städte zeitreisen verlag gfbg nachrichten geschichte der burschenschaft und

**bismarcktürme architektur geschichte landschaftserlebnis by** - May 06 2022

web sep 24 2023 bismarcktürme buch architektur geschichte may 18th 2020 architektur geschichte landschaftserlebnis in deutschland stehen heute noch 146 bismarcktürme viele von ihnen dienen heute wie damals als aussichtstürme sie sind zeugnis eines einzigartigen personenkultes und baugeschichtliches kuriosum zugleich der bildband beschreibt

*bismarckturm aachen wikipedia* - Sep 22 2023

web der aachener bismarckturm wurde von dem architekten georg frentzen entworfen und nach erteilung der baugenehmigung von der firma boswau knauer aus berlin gebaut der turm besteht aus einem halbrunden ca fünf meter hohen sockelgeschoss welches in fünf gleichartige segmente unterteilt und über zwei treppenaufgänge zu ersteigen ist

*bismarckturme architektur geschichte landschaftse* - Apr 17 2023

web bismarckturme architektur geschichte landschaftse history of landscape architecture wikipedia dec 13 2021 for the period before 1800 the history of landscape architecture formally landscape gardening is largely that of master planning and garden design for manor houses palaces and royal properties religious

**bismarckturme architektur geschichte landschaftse** - Dec 13 2022

web title bismarckturme architektur geschichte landschaftse pdf alpaca awamaki org author yang becker created date 10 20 2023 1 38 25 pm

**bismarcktürme architektur geschichte landschaftserlebnis by** - Mar 04 2022

web jun 16 2023 bücher über architektur auf deutsch günstig kaufen ebay liste von bismarcktürmen liste berühmte architekten amp beste baumeister bauwerke jörg bieiefeld 1 buch perlentaucher geschichte der architektur und städtebau wettbewerbe bismarckdenkmal bismarcktürme architektur geschichte bismarck türme als

**das bismarckturm infoportal mit infos über alle 240 türme** - Aug 21 2023

web architektur geschichte landschaftserlebnis von der ostsee bis zum bodensee in deutschland stehen heute noch 146 bismarcktürme viele von ihnen dienen heute wie damals als aussichtstürme sie sind zeugnis eines einzigartigen personenkultes und baugeschichtliches kuriosum zugleich doch wer veranlasste den bau dieser türme

**bismarckturm wikipedia** - Oct 23 2023

web als bismarckturm bezeichnet man bismarckdenkmäler die in form eines turms errichtet wurden die überwiegende mehrheit dieser türme wurde zwischen otto von bismarcks tod 1898 und seinem 100 geburtstag im jahr 1915 errichtet einige bismarcktürme wurden nicht als solche geplant und gebaut sondern erst später umgewidmet

[bismarcktürme architektur geschichte landschaftse book](#) - Nov 12 2022

web bismarcktürme architektur geschichte landschaftse when somebody should go to the ebook stores search initiation by shop shelf by shelf it is in reality problematic this is why we offer the ebook compilations in this website it will entirely ease you to look guide bismarcktürme architektur geschichte landschaftse as you such as

**bismarcktürme architektur geschichte landschaftse** - Sep 10 2022

web apr 8 2023 computer bismarcktürme architektur geschichte landschaftse is user friendly in our digital library an online admission to it is set as public so you can download it instantly our digital library saves in multiple countries allowing you to get the most less latency times to download any of our books taking into consideration this one merely

**bismarckturm wikimedia commons** - Mar 16 2023

web jul 22 2021 bismarckturm from wikimedia commons the free media repository deutsch bismarcktürme und bismarcksäulen sind denkmäler die zwischen 1869 und 1934 zu ehren otto von bismarcks errichtet wurden english bismarck towers and bismarck columns are monuments that were built between 1869 and 1934 in honour of otto von

[bismarcktürme architektur geschichte landschaftse](#) - Oct 11 2022

web bismarcktürme architektur geschichte landschaftse 1 bismarcktürme architektur geschichte landschaftse 2021 12 27 page bowers title bismarcktürme architektur geschichte landschaftse full pdf e journal stp ipi ac id author page bowers created date 5 21 2023 3 22 00 pm

**les mata c riaux composites souples pdf uniport edu** - Jan 07 2023

web les mata c riaux composites souples 1 1 downloaded from uniport edu ng on august 27 2023 by guest les mata c riaux composites souples yeah reviewing a book les

*structures en mata c riaux composites calcul par 2022* - Feb 25 2022

web structures en mata c riaux composites calcul par 5 5 careerand in many ways tragic fateof the distinguished historian sir jadunath sarkar 1870 1957 one of the most

[les mata c riaux composites souples pdf vla ramtech](#) - Nov 05 2022

web may 26 2023 les mata c riaux composites souples pdf is available in our book collection an online access to it is set as public so you can download it instantly our

[application des mata c riaux composites dans la concept](#) - Aug 02 2022

web ceci revient aux spa c cifications de ces mata c riaux dans ce contexte ce travail consiste a mettre en oeuvre une da c

marche bien da c tailla c de dimensionnement

*les mata c riaux composites souples uniport edu* - Sep 22 2021

web mar 12 2023 recognizing the exaggeration ways to acquire this ebook les mata c riaux composites souples is additionally useful you have remained in right site to begin

**les mata c riaux composites souples download only** - Aug 14 2023

web cet ouvrage étudie pour la première fois le mouvement de traduction en persan des sources ayurvédiques qui a eu lieu à partir du xive siècle en parallèle il analyse les

**free les mata c riaux composites souples** - Jul 01 2022

web skillfully as review les mata c riaux composites souples what you gone to read the economic utilisation of food co products abbas kazmi 2013 10 09 as the world s

**les mata c riaux composites souples neil kenny 2023** - Nov 24 2021

web those all we give les mata c riaux composites souples and numerous books collections from fictions to scientific research in any way accompanied by them is this

**les matériaux composites souples by rené motro** - Oct 24 2021

web livre les mata riaux posites prf pour le confinement full text of le costume historique cinq cents planches les matriaux posites en gnies civil matriau pour mieux prendre

mecanoplast matÃ riaux composites bateaux hyÃ res la crau - Apr 29 2022

web mecanoplast matÃ riaux composites bateaux hyÃ res la crau toulon var 83 implantÃ e depuis plus de 35 ans dans la distribution des matÃ riaux composites la

conference faan gov ng - Jun 12 2023

web conference faan gov ng

**les mata c riaux composites souples pdf copy** - Feb 08 2023

web introduction les mata c riaux composites souples pdf copy les matériaux composites 1980 architects data ernst neufert 1991 01 15 this is an essential aid in

*les mata c riaux composites souples neil kenny* - Dec 06 2022

web les mata c riaux composites souples 1 downloaded from old restorativejustice org on 2023 03 06 by guest les mata c riaux composites souples this is likewise one of

les mata c riaux composites souples full pdf - May 11 2023

web les mata c riaux composites souples 10 propositions pour sortir de la crise may 01 2020 n mansouri guilani et j c le duigou conomistes font le point sur la crise

**les matériaux composites souples by rené motro** - May 31 2022

web aug 6 2023 les matériaux composites souples by rené motro full text of le costume historique cinq cents planches livre 10 ans de culture partagée avec le caue

**les matériaux composites souples cyberlab sudt edu sg** - Jul 13 2023

web les matériaux composites souples bulletin signalétique mar 15 2021 le guide des études bac 2 3 apr 08 2023 bulletin de liaison des laboratoires des ponts et

les matériaux composites souples pdf download only - Sep 03 2022

web apr 4 2023 discover the proclamation les matériaux composites souples pdf that you are looking for it will certainly squander the time however below in the same way

**matali crasset 7 clous à marseille chez patrick raynaud** - Dec 26 2021

web adrien vescovi jan van der ploeg sophie dejode bertrand lacombe stessie audras alain séchas charlie verot stefan eichhorn sonia delaunay paul pouvreau

*les matériaux composites souples by rené motro* - Oct 04 2022

web les matériaux composites dans le sport les prothèses synthétiques dans la cure de prolapsus 0 946 31 startseite liste de produits contenant de l'amiante full text of le costume

**les matériaux composites souples by rené motro nur bcca** - Apr 10 2023

web jun 19 2023 les matériaux composites souples by rené motro les matériaux composites souples by rené motro in the course of them is this les matériaux

**matériaux composites gelcoats polyester la craie hyalines** - Mar 29 2022

web gelcoat special sanitaires piscines recommandé dans la fabrication d'éléments sanitaires piscine certaine pièce du bâtiment et du nautisme en savoir plus

*carrelage d'intérieur core collection shapes archiexpo* - Jan 27 2022

web description formes de carreaux innovantes et modulaires core collection propose une nouveauté dans le portefeuille de mosaïque à savoir des formes innovantes et modulaires

les matériaux composites souples copy - Mar 09 2023

web les matériaux composites souples matthias rioux wikipedia feb 21 2022 web born 1934 03 29 march 29 1934 age 88 rivière à claudes quebec political party parti québécois

**10 free sock monkey crochet patterns the spruce crafts** - Aug 13 2023

web jul 1 2019 01 of 10 sock monkey stuffed animal free crochet pattern beberouge this free crochet pattern by beberouge shows us what a common sock monkey tends to look like it's got a huge red grin it is wearing a striped hat its hands and feet

are a different color from the rest of its body

[20 sock monkey crochet patterns free allfreecrochet.com](#) - Sep 14 2023

web learn how to make a sock monkey and find other adorable monkey crochet patterns in this collection of 20 sock monkey crochet patterns handmade crochet sock monkeys make precious gifts or you can keep the little cutie for yourself

[it s monkey madness with 10 free crochet sock monkey patterns moogly](#) - Jul 12 2023

web jan 1 2013 today most of us prefer the ones made out of new socks but even more popular lately are the ones made with crochet these iconic and crafty little guys are popping up everywhere so it s clearly time to gather together the 10 best crochet sock monkey patterns out there right now

[amigurumi sock monkey free crochet pattern lilleliis](#) - Nov 04 2022

web pattern head crocheted from top to bottom 1 color b magic ring and 6 sc into it 2 work 2 sc in each st around 12 3 sc in next st 2 sc in next st rep 6 times 18 4 sc in each of next 2 sts 2 sc in next st rep 6 times 24 5 sc in each of next 3 sts 2 sc in next st rep 6 times 30

**baby pants patterns crochet monster and sock monkey pants** - Apr 28 2022

web oct 17 2023 this pdf pattern will instruct you on how to crochet these cute baby monster and sock monkey pants these patterns are a great beginner project and can be whipped up in less than an afternoon save by purchasing the package package includes the following patterns sock monkey pant striped monster pants sizes

**crochet patterns sock monkey etsy** - Feb 24 2022

web 22 inch sock monkey and clothes simplicity crafts 9073 vintage uncut sewing pattern 1999 8 1k 12 75 add to favorites sock monkey hat crochet pattern crochet hat pattern for the family pdf pattern womens hat

[free crochet sock monkey pattern crochet kingdom](#) - Sep 02 2022

web mar 21 2016 free crochet sock monkey pattern by lilleliis.com from time immemorial mothers and grandmothers have made simple sock monkeys for their kids and grandkids this monkey was inspired by the movie mr magorium s wonder emporium 2007 pattern

**crochet sock monkey the crochet crowd** - Feb 07 2023

web sep 24 2019 made with patons classic wool worsted the crochet sock monkey is great craft show ideas as well as a fun doll for any little one in your life this easy project is cute it will have you wanting to make one in different colours free

*ravelry sock monkey pants pattern by kristen kurtz* - May 10 2023

web crocheted sock monkey pants sizes newborn through 2t available also you can graph eyes as included in the pattern or use 1 inch buttons on top of the graph i used a thinner ww 4 yarn if your are using a thicker ww 4 yarn ex rh supersaver please check guage you may have to use h hook

[free and easy crochet hooded sock monkey cowl pattern](#) - Oct 23 2021

web nov 11 2023 after row 26 do not turn work along bottom edge of hood change to 8 00 mm hook join cream yarn to hood at stitch with slst counts as 1st ch ch 14 15 row 1 hdc in 3rd chain from hook and each ch across 13 row 2 be sure to keep yarns to back of the cowl when doing colour changes made using super bulky yarn and basic crochet

**25 free crochet monkey patterns pdf pattern blitsy** - Dec 25 2021

web looking for the perfect crochet monkey pattern we have compiled 25 free crochet monkey patterns that are perfect for beginners with detailed step by step instructions and easy to follow tutorials you can easily make your own monkey amigurumi

*10 free crochet monkey patterns the spruce crafts* - Jun 30 2022

web jul 1 2019 crochet monkey hat free pattern the friendly red fox make a monkey that you can wear with this crochet hat pattern the design is surprisingly simple the face of the animal is built onto a basic crochet beanie so you could use this pattern to make more neutral hats as well

[sock monkey free crochet pattern stringydingding](#) - Mar 08 2023

web sep 26 2018 sock monkey materials 5 mm hook tapestry needle stuffing and scissors and yarn in 4 weight stitches used magic ring sc inc dec ch you can make the sock monkey any color but for this pattern i wrote it in the way where the colors match the traditional sock monkey in white red then grey you can replace these colors

**sock monkey butt pants crochet pattern pdf etsy** - May 30 2022

web oct 2 2023 this sock monkey butt pants are sure to delight you can make this for the little ones in your life it would make a great baby shower gift as well crochet pattern sock monkey baby hat pattern baby girl s hat baby boy s hat pattern earflap baby hat crochet baby hat

*amigurumi sock monkey crochet free patterns* - Mar 28 2022

web crochet along sock monkey this monkey was designed for a crochet wheelchair image and free pattern amigurumi to go originally posted 2020 03 08 05 00 12

[15 crochet monkey patterns crochet news](#) - Aug 01 2022

web nov 13 2023 craft cheeky chimps and swinging primates with these playful crochet designs that are sure to keep your hands full from sweet little toy project to playful accessories find the perfect monkey for you whether you are a beginner or advanced crocheter 1 crochet sock monkey blanket pattern by red heart

[40 sock monkey crochet patterns handcraft your own cozy](#) - Oct 15 2023

web sep 15 2023 join us as we dive into our list of 40 delightful sock monkey crochet patterns including gems like the adorable sock monkey crochet pattern guide monkey axel adorable crochet pattern and martin the

**ravelry sock monkey pants pattern by jodi fluckiger** - Jun 11 2023

web buy it now or visit pattern website cute sock monkey pants pattern is crocheted this pattern includes sizes from newborn up to 12 24 months 5 sizes included can be adapted to custom fit three colors of yarn are required to produce pictured pants

**17 free monkey patterns to knit and crochet marly bird** - Apr 09 2023

web dec 14 2020 basic crochet sock monkey a classic gray and white crochet sock monkey sock monkey and baby hat a matching crochet beige sock monkey toy and a hat for a baby love monkey a cute little crochet monkey with a heart on its belly knit striped funky monkey a classic knit sock monkey style but in royal blue with stripes

*patons basic crochet sock monkey yarnspirations* - Jan 06 2023

web patons basic crochet sock monkey 0 item pac0334 005212v crochet this fun and easy sock monkey in patons classic wool worsted for accessibility support please contact customer care at 1 888 368 8401 or access yarnspirations com skill level easy crochet download free pattern customize your pattern kit 1 select colors dark gray marl

*25 sweet stylish crochet pants patterns love life yarn* - Oct 03 2022

web nickilaine44 on ravelry used a basic free crochet pants pattern and switched up the colors to make an adorable sock monkey version what a creative project the pattern uses mostly single crochet stitches so the crocheter was able to map out her design in graph format before using the intarsia technique to change colors within the project itself

**crochet clothes for a sock monkey etsy** - Jan 26 2022

web monkey dog hat pink sock monkey dog costume monkey hat crochet chihuahua hat cat hat puppy beanie db8 myknitt free shipping 736 25 00 free shipping

sock monkey pants etsy - Nov 23 2021

web 33 47 00 free shipping sock monkey in jumper pants stuffed animal 811 37 09 41 21 10 off child s sock monkey sweater pdf knitting pattern 958 5 99 canadian made comfy pants matching pyjamas couple pajamas christmas pajamas sock monkey 528 38 12

**patons basic crochet sock monkey yarnspirations** - Dec 05 2022

web crochet this fun and easy sock monkey in patons classic wool worsted for accessibility support please contact customer care at 1 888 368 8401 or access yarnspirations com skill level easy