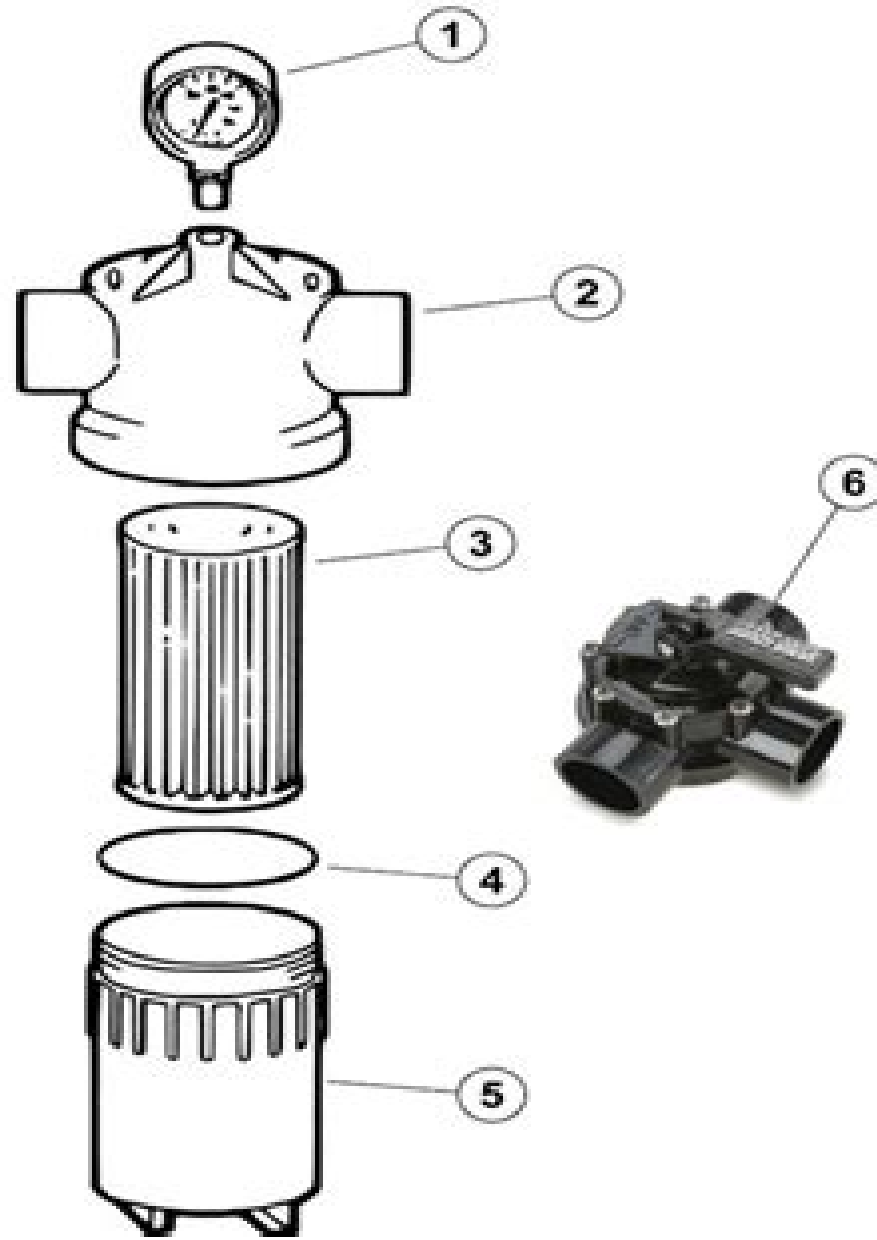




Waterpik Jandy Energy Filter Replacement Parts



Jandy Energy Filter Manual

**United States. Environmental
Protection Agency**



Jandy Energy Filter Manual:

Public Works Manual ,1983 **Caribbean Yellow Pages** ,1998 *Thomas Register* ,2004 *Create an Oasis* ,1994
International Books in Print ,1990 **Thomas Register of American Manufacturers and Thomas Register Catalog**
File ,1997 Vols for 1970 71 includes manufacturers catalogs **Operation and Maintenance Manual for Fabric Filters**
PEI Associates,1986 *Operation and Maintenance Manual for Fabric Filters* United States. Environmental Protection
Agency,1986 **Fabric Filter Manual** ,1975

Whispering the Secrets of Language: An Mental Journey through **Jandy Energy Filter Manual**

In a digitally-driven world wherever displays reign great and immediate communication drowns out the subtleties of language, the profound secrets and psychological subtleties concealed within words frequently move unheard. Yet, located within the pages of **Jandy Energy Filter Manual** a interesting literary value sporting with raw emotions, lies a fantastic journey waiting to be undertaken. Published by a talented wordsmith, that charming opus encourages visitors on an introspective journey, lightly unraveling the veiled truths and profound influence resonating within the very cloth of each word. Within the mental depths of the emotional evaluation, we will embark upon a honest exploration of the book is primary themes, dissect its charming publishing design, and succumb to the effective resonance it evokes strong within the recesses of readers hearts.

https://staging.conocer.cide.edu/About/detail/Download_PDFS/lets_find_out_about_weather.pdf

Table of Contents Jandy Energy Filter Manual

1. Understanding the eBook Jandy Energy Filter Manual
 - The Rise of Digital Reading Jandy Energy Filter Manual
 - Advantages of eBooks Over Traditional Books
2. Identifying Jandy Energy Filter Manual
 - Exploring Different Genres
 - Considering Fiction vs. Non-Fiction
 - Determining Your Reading Goals
3. Choosing the Right eBook Platform
 - Popular eBook Platforms
 - Features to Look for in an Jandy Energy Filter Manual
 - User-Friendly Interface
4. Exploring eBook Recommendations from Jandy Energy Filter Manual
 - Personalized Recommendations

- Jandy Energy Filter Manual User Reviews and Ratings
- Jandy Energy Filter Manual and Bestseller Lists
- 5. Accessing Jandy Energy Filter Manual Free and Paid eBooks
 - Jandy Energy Filter Manual Public Domain eBooks
 - Jandy Energy Filter Manual eBook Subscription Services
 - Jandy Energy Filter Manual Budget-Friendly Options
- 6. Navigating Jandy Energy Filter Manual eBook Formats
 - ePub, PDF, MOBI, and More
 - Jandy Energy Filter Manual Compatibility with Devices
 - Jandy Energy Filter Manual Enhanced eBook Features
- 7. Enhancing Your Reading Experience
 - Adjustable Fonts and Text Sizes of Jandy Energy Filter Manual
 - Highlighting and Note-Taking Jandy Energy Filter Manual
 - Interactive Elements Jandy Energy Filter Manual
- 8. Staying Engaged with Jandy Energy Filter Manual
 - Joining Online Reading Communities
 - Participating in Virtual Book Clubs
 - Following Authors and Publishers Jandy Energy Filter Manual
- 9. Balancing eBooks and Physical Books Jandy Energy Filter Manual
 - Benefits of a Digital Library
 - Creating a Diverse Reading Collection Jandy Energy Filter Manual
- 10. Overcoming Reading Challenges
 - Dealing with Digital Eye Strain
 - Minimizing Distractions
 - Managing Screen Time
- 11. Cultivating a Reading Routine Jandy Energy Filter Manual
 - Setting Reading Goals Jandy Energy Filter Manual
 - Carving Out Dedicated Reading Time
- 12. Sourcing Reliable Information of Jandy Energy Filter Manual
 - Fact-Checking eBook Content of Jandy Energy Filter Manual

- Distinguishing Credible Sources
- 13. Promoting Lifelong Learning
 - Utilizing eBooks for Skill Development
 - Exploring Educational eBooks
- 14. Embracing eBook Trends
 - Integration of Multimedia Elements
 - Interactive and Gamified eBooks

Jandy Energy Filter Manual Introduction

In today's digital age, the availability of Jandy Energy Filter Manual books and manuals for download has revolutionized the way we access information. Gone are the days of physically flipping through pages and carrying heavy textbooks or manuals. With just a few clicks, we can now access a wealth of knowledge from the comfort of our own homes or on the go. This article will explore the advantages of Jandy Energy Filter Manual books and manuals for download, along with some popular platforms that offer these resources. One of the significant advantages of Jandy Energy Filter Manual books and manuals for download is the cost-saving aspect. Traditional books and manuals can be costly, especially if you need to purchase several of them for educational or professional purposes. By accessing Jandy Energy Filter Manual versions, you eliminate the need to spend money on physical copies. This not only saves you money but also reduces the environmental impact associated with book production and transportation. Furthermore, Jandy Energy Filter Manual books and manuals for download are incredibly convenient. With just a computer or smartphone and an internet connection, you can access a vast library of resources on any subject imaginable. Whether you're a student looking for textbooks, a professional seeking industry-specific manuals, or someone interested in self-improvement, these digital resources provide an efficient and accessible means of acquiring knowledge. Moreover, PDF books and manuals offer a range of benefits compared to other digital formats. PDF files are designed to retain their formatting regardless of the device used to open them. This ensures that the content appears exactly as intended by the author, with no loss of formatting or missing graphics. Additionally, PDF files can be easily annotated, bookmarked, and searched for specific terms, making them highly practical for studying or referencing. When it comes to accessing Jandy Energy Filter Manual books and manuals, several platforms offer an extensive collection of resources. One such platform is Project Gutenberg, a nonprofit organization that provides over 60,000 free eBooks. These books are primarily in the public domain, meaning they can be freely distributed and downloaded. Project Gutenberg offers a wide range of classic literature, making it an excellent resource for literature enthusiasts. Another popular platform for Jandy Energy Filter Manual books and manuals is Open Library. Open Library is an initiative of the Internet Archive, a non-profit

organization dedicated to digitizing cultural artifacts and making them accessible to the public. Open Library hosts millions of books, including both public domain works and contemporary titles. It also allows users to borrow digital copies of certain books for a limited period, similar to a library lending system. Additionally, many universities and educational institutions have their own digital libraries that provide free access to PDF books and manuals. These libraries often offer academic texts, research papers, and technical manuals, making them invaluable resources for students and researchers. Some notable examples include MIT OpenCourseWare, which offers free access to course materials from the Massachusetts Institute of Technology, and the Digital Public Library of America, which provides a vast collection of digitized books and historical documents. In conclusion, Jandy Energy Filter Manual books and manuals for download have transformed the way we access information. They provide a cost-effective and convenient means of acquiring knowledge, offering the ability to access a vast library of resources at our fingertips. With platforms like Project Gutenberg, Open Library, and various digital libraries offered by educational institutions, we have access to an ever-expanding collection of books and manuals. Whether for educational, professional, or personal purposes, these digital resources serve as valuable tools for continuous learning and self-improvement. So why not take advantage of the vast world of Jandy Energy Filter Manual books and manuals for download and embark on your journey of knowledge?

FAQs About Jandy Energy Filter Manual Books

How do I know which eBook platform is the best for me? Finding the best eBook platform depends on your reading preferences and device compatibility. Research different platforms, read user reviews, and explore their features before making a choice. Are free eBooks of good quality? Yes, many reputable platforms offer high-quality free eBooks, including classics and public domain works. However, make sure to verify the source to ensure the eBook credibility. Can I read eBooks without an eReader? Absolutely! Most eBook platforms offer webbased readers or mobile apps that allow you to read eBooks on your computer, tablet, or smartphone. How do I avoid digital eye strain while reading eBooks? To prevent digital eye strain, take regular breaks, adjust the font size and background color, and ensure proper lighting while reading eBooks. What the advantage of interactive eBooks? Interactive eBooks incorporate multimedia elements, quizzes, and activities, enhancing the reader engagement and providing a more immersive learning experience. Jandy Energy Filter Manual is one of the best book in our library for free trial. We provide copy of Jandy Energy Filter Manual in digital format, so the resources that you find are reliable. There are also many Ebooks of related with Jandy Energy Filter Manual. Where to download Jandy Energy Filter Manual online for free? Are you looking for Jandy Energy Filter Manual PDF? This is definitely going to save you time and cash in something you should think about. If you trying to find then search around for online. Without a doubt

there are numerous these available and many of them have the freedom. However without doubt you receive whatever you purchase. An alternate way to get ideas is always to check another Jandy Energy Filter Manual. This method for see exactly what may be included and adopt these ideas to your book. This site will almost certainly help you save time and effort, money and stress. If you are looking for free books then you really should consider finding to assist you try this. Several of Jandy Energy Filter Manual are for sale to free while some are payable. If you arent sure if the books you would like to download works with for usage along with your computer, it is possible to download free trials. The free guides make it easy for someone to free access online library for download books to your device. You can get free download on free trial for lots of books categories. Our library is the biggest of these that have literally hundreds of thousands of different products categories represented. You will also see that there are specific sites catered to different product types or categories, brands or niches related with Jandy Energy Filter Manual. So depending on what exactly you are searching, you will be able to choose e books to suit your own need. Need to access completely for Campbell Biology Seventh Edition book? Access Ebook without any digging. And by having access to our ebook online or by storing it on your computer, you have convenient answers with Jandy Energy Filter Manual To get started finding Jandy Energy Filter Manual, you are right to find our website which has a comprehensive collection of books online. Our library is the biggest of these that have literally hundreds of thousands of different products represented. You will also see that there are specific sites catered to different categories or niches related with Jandy Energy Filter Manual So depending on what exactly you are searching, you will be able tochoose ebook to suit your own need. Thank you for reading Jandy Energy Filter Manual. Maybe you have knowledge that, people have search numerous times for their favorite readings like this Jandy Energy Filter Manual, but end up in harmful downloads. Rather than reading a good book with a cup of coffee in the afternoon, instead they juggled with some harmful bugs inside their laptop. Jandy Energy Filter Manual is available in our book collection an online access to it is set as public so you can download it instantly. Our digital library spans in multiple locations, allowing you to get the most less latency time to download any of our books like this one. Merely said, Jandy Energy Filter Manual is universally compatible with any devices to read.

Find Jandy Energy Filter Manual :

~~lets find out about weather~~

lets just take this outside

let every soul be jesus guest a theology of the open table

lets find out about words

lets find out about farms

lest we forget why we celebrate
lesson in love

lets ask the cook

~~lets play hockey~~

lets talk roundness

leslie marmon silko a collection of critical essays

~~let heaven make your fortune you can make your fortune~~

lethal games

~~lets talk lisp~~

lets explore outer space

Jandy Energy Filter Manual :

general requirments maritime academy of nigeria - Feb 14 2023

web 1 nautical science five 5 credit passes at o level wasc gce neco nabteb not more than two 2 sittings subjects required english language mathematics physics geography and any other science subjects etc utme jamb subject combination english language mathematics physics geography 2 marine engineering

top approved courses offered in maritime academy oron - Jul 07 2022

web aug 10 2023 the maritime academy of nigeria is nigeria s prestigious maritime institution courses offered in maritime academy oron provides training in all levels of personnel to man merchant navy ships ports maritime engineering workshops pilotage shipyards and other marine related industries

maritime academy of nigeria oron - May 17 2023

web the maritime academy of nigeria formerly known and addressed as the nautical college of nigeria was established in 1979 by the federal executive conclusion no ec 77 172 it was designed as an integrated institution for the education and training of shipboard officers and ratings shore based management personnel

maritime academy oron hnd admission details announced - Dec 12 2022

web jul 24 2023 maritime academy oron hnd programmes and courses the programmes are listed as follows higher national diploma in nautical science marine engineering maritime transport and business management maritime academy oron admission requirements mode of correspondence

nautical science maritime academy of nigeria oron - Mar 15 2023

web october 2nd 2012 welcome to the maritime academy of nigeria oron maritime academy of nigeria federal ministry of

transport oron maritime safety and nautical science maritime academy admission form 2017 cut off mark

maritime academy of nigeria wikipedia - Aug 20 2023

web the maritime academy of nigeria oron akwa ibom state was formerly known and address as the nautical college of nigeria was established in 1977 by the federal executive conclusion no ec 77 172 with assistance from the international maritime organisation imo

the maritime academy of nigeria oron shippingposition - Aug 08 2022

web july 19 2021 in editorial it is not really a surprise that the senate has passed the bill to upgrade the maritime academy of nigeria man in oron akwa ibom state to a full fledged university of maritime studies the bill was passed after due presentation and consideration by the committee on tertiary institutions and tetfund

about maritime academy of nigeria - Jun 18 2023

web the maritime academy of nigeria is nigeria s premier maritime institution charged with the responsibility of training all level of manpower to man merchant navy ships ports maritime engineering workshops pilotage shipyards and other marine related industries

nautical science maritime academy of nigeria - Sep 21 2023

web nautical studies the department provide sound academic and professional training for nigeria foreign midshipmen and women its provide a strong foundation for young nigerians foreign student who wish to become a deck officer its also train middle level manpower for the maritime industry

maritime academy oron post utme screening form 2023 2024 - Apr 04 2022

web aug 7 2023 candidates who selected maritime academy of nigeria as their first 1st choice institution in the 2023 utme and scored above the required cut off mark as stated in 2 below are eligible for post utme registration utme cut off mark a nautical science 175 b marine engineering 175 c electrical electronic engineering 175 d

courses offered in maritime academy oron legit ng - May 05 2022

web jun 23 2017 in order to apply to the institution for boat ship building technology nautical science hydrography marine engineering electrical electronics engineering marine meteorology and oceanography you must have senior school certificate ssc or its equivalent you must have at least five credits passed in following subjects

maritime academy of nigeria linkedin - Jun 06 2022

web the maritime academy of nigeria is nigeria s premier maritime institution charged with the responsibility of training all level of manpower to man merchant navy ships ports maritime

maritime academy oron school fees for 2020 2021 session - Feb 02 2022

web dec 8 2019 the maritime academy of nigeria is a federally owned educational institute in oron akwa ibom state nigeria

originally called the nautical college of nigeria it was established in 1979 to educate and train shipboard officers ratings and shore based management personnel

maritime academy of nigeria - Oct 22 2023

web the maritime academy of nigeria formerly known as the nautical college of nigeria was established in 1979 by the federal executive council no ec 77 172 it was designed as an integrated institution for the education and training of shipboard officers ratings and shore based management personnel

admission man registration portal login - Mar 03 2022

web the management of maritime academy of nigeria hereby invites suitably qualified candidates for admission into the various two 2 years four semesters higher national diploma hnd programmes of the academy for the 2023 2024 academic session online registration opens on wednesday 26th july 2023 and close on friday 22nd september

maritime academy of nigeria wikiwand - Jan 13 2023

web the maritime academy of nigeria oron akwa ibom state was formerly known and address as the nautical college of nigeria was established in 1977 by the federal executive conclusion no ec 77 172 with assistance from the international maritime organisation imo

maritime academy oron courses and duration of each programme - Oct 10 2022

web nautical science marine engineering at 175 and maritime transport business studies at 160 see the list of courses offered in maritime academy of nigeria oron with duration of each courses maritime academy oron courses and years

nd applicant maritime academy of nigeria - Sep 09 2022

web below is the academy jamb cut off mark for 2023 2024 academic session a school of nautical studies nautical science minimum of 175 b school of engineering marine engineering minimum of 175 electrical electronic engineering minimum of 175 c school of maritime transport studies

new list of man oron courses 2022 2023 session theinfoportal - Jul 19 2023

web feb 17 2022 naval science for two years nautical science for two years marine engineering for two years the courses and their requirements may vary from time to time make sure to check them on the website of the maritime academy of nigeria oron share this post with others

maritime academy of nigeria man cut off mark 2023 2024 - Jan 01 2022

web aug 9 2023 maritime academy of nigeria man oron a comprehensive guide to the 2023 2024 admission cut off marks maritime academy of nigeria man oron has released cut off marks for 2023 2024 admission nautical science marine engineering at 175 and maritime transport business studies at 160

maritime academy of nigeria oron admission requirements 2023 - Nov 11 2022

web candidates applying for admission to study nautical science at the maritime academy of nigeria must possess a national diploma in nautical science with a cumulative grade point average of not less than 2.50 lower credit from the maritime academy of nigeria or other accredited institution

contact us maritime academy of nigeria - Apr 16 2023

web academy no 4 college road p m b 1089 oron akwa ibom state nigeria liaison office lagos c m s bus stop outer marina lagos nigeria 234 903 255 2144 mon to fri 8am to 4pm maritimeacademy gov ng maritimeacademy edu ng

backroom boys the secret return of the british boffin - Oct 08 2023

web buy backroom boys the secret return of the british boffin main by spufford francis isbn 9780571214976 from amazon s book store everyday low prices and free

backroom boys the secret return of the british boffin - Aug 26 2022

web it opens with the arrival of the first v2 noted by the british interplanetary society in a london pub and we soon read of a surreal meeting between arthur c clark the famous

backroom boys the secret return of the british boffin - Mar 21 2022

web jan 17 2004 this is a book by francis spufford isbn 0571214967 that is divided into six chapters each describing a british triumph of science and engineering since 1945 the

the backroom boys the secret return of the british boffin by - Mar 01 2023

web jan 1 2003 the backroom boys the secret return of the british boffin by spufford francis 2003 hardcover hardcover january 1 2003 britain is the only country in

backroom boys the secret return of the british boffin - Nov 28 2022

web backroom boys the secret return of the british boffin author francis spufford summary britain is the only country in the world to have cancelled its space programme just as it

backroom boys the secret return of the british boffin google - Jul 05 2023

web backroom boys the secret return of the british boffin ebook written by francis spufford read this book using google play books app on your pc android ios

the backroom boys the secret return of the british boffin - Apr 21 2022

web brand new the backroom boys the secret return of the british boffin francis spufford a rapturous history of british engineering a vivid love letter to quiet men in

backroom boys the secret return of the british boffin - Dec 30 2022

web backroom boys the secret return of the british boffin spufford francis 1964 free download borrow and streaming internet archive

backroom boys the secret return of the british bof - Feb 17 2022

web backroom boys the secret return of the british bof a companion to photography stephen bull 2020 03 16 a companion to photography presents a contemporary

backroom boys the secret return of the british boffin google - Jun 23 2022

web starting with this forgotten episode the backroom boys tells the bittersweet story of modern british engineers and inventors sad inspiring funny and ultimately triumphant

backroom boys the secret return of the british boffin - Nov 16 2021

web xii 250 p 23 cm due to a planned power outage on friday 1 14 between 8am 1pm pst some services may be impacted

backroom boys the secret return of the british boffin by - Jan 19 2022

web oct 10 2023 the backroom boys the secret return of the british backroom boys meaning in the cambridge english dictionary backroom boys all of me vocal mix

backroom boys the secret return of the british boffin goodreads - Sep 07 2023

web jan 1 2003 4 01 324 ratings36 reviews britain is the only country in the world to have cancelled its space programme just as it put its first rocket into orbit starting with this

backroom boys by francis spufford overdrive - Oct 28 2022

web nov 25 2010 a brilliant beautiful account of how british boffins triumphed across the decades in creating everything from computer games to martian landers the book

backroom boys the secret return of the british boffin - Apr 02 2023

web hardcover 3 28 23 used from 0 50 1 collectible from 72 22 a brilliant beautiful account of how british boffins triumphed across the decades in creating everything from

backroom boys the secret return of the british boffin - May 23 2022

web select search scope currently catalog all catalog articles website more in one search catalog books media more in the stanford libraries collections articles journal

backroom boys the secret return of the british boffin - Sep 26 2022

web backroom boys the secret return of the british boffin kindle edition a brilliant beautiful account of how british boffins triumphed across the decades in creating

backroom boys the secret return of the british boffin francis - Jan 31 2023

web britain is the only country in the world to have cancelled its space programme just as it put its first rocket into orbit starting with this forgotten episode backroom boys tells the

backroom boys the secret return of the british boffin google - Dec 18 2021

web nov 25 2010 [backroom boys the secret return of the british boffin francis spufford faber faber nov 25 2010 technology engineering 412 pages a brilliant](#)

[backroom boys the secret return of the british boffin spufford](#) - Jun 04 2023

web [backroom boys the secret return of the british boffin spufford francis amazon com tr kitap](#)

the backroom boys the secret return of the british boffin - Jul 25 2022

web [the backroom boys the secret return of the british boffin by spufford francis isbn 10 0571214975 isbn 13](#)

9780571214976 faber faber ltd 2004 softcover the

[backroom boys the secret return of the british boffin faber](#) - Aug 06 2023

web [francis spufford backroom boys by francis spufford is a rapturous history of british engineering of which the daily telegraph said i don t want to pretend that backroom](#)

[backroom boys the secret return of the british boffin](#) - May 03 2023

web nov 25 2010 [backroom boys the secret return of the british boffin kindle edition by spufford francis download it once and read it on your kindle device pc phones or](#)

[my photography toolbox a game to discover the vis jack](#) - Jan 08 2023

web feb 24 2023 [merely said the my photography toolbox a game to discover the vis is universally compatible in the same way as any devices to read personal peace procedure faith b bushby 2016 10 15](#)

[bis my photography game rosa pons cerda lenno verhoog](#) - Nov 06 2022

web [product description based on a beautiful collection of photographs paintings and illustrations kids and parents compete to figure out underlying visual similarities the cards uncover ten visual language characteristics hidden in 40 artworks the box contains ten sets of cards and a rule set each set is composed of a visual characteristic](#)

[my photography toolbox a game to discover the vis pdf](#) - Feb 26 2022

web jul 28 2023 [right here we have countless ebook my photography toolbox a game to discover the vis and collections to check out we additionally give variant types and furthermore type of the books to browse](#)

[my photography toolbox a game to discover the vis](#) - Jun 01 2022

web [the course of guides you could enjoy now is my photography toolbox a game to discover the vis below white space is not your enemy kim golombisky 2017 02 17 white space is not your enemy is a practical graphic design and layout guide that introduces concepts and practices necessary for producing effective visual](#)

[my photography toolbox a game to discover the vis pdf](#) - May 12 2023

web jun 27 2023 [my photography toolbox a game to discover the vis 2 9 downloaded from uniport edu ng on june 27 2023 by guest tackle today s challenges in storytelling for games a learn by example and exercise approach which was praised in](#)

the game narrative toolbox an in depth view on advanced storytelling techniques and

[my photography toolbox a game to discover the visual rules](#) - Jul 14 2023

web my photography toolbox a game to discover the visual rules train your eye and improve your skills by rosa pons cerdà lenno verhoog and concepts biografía del autor rosa is an interdisciplinary writer media and games content designer she has set up international training workshops and festivals and has taught and

my photography toolbox a game to discover the vis - Apr 30 2022

web 2 my photography toolbox a game to discover the vis 2022 07 10 language the photograph has an extraordinary ability to connect and communicate with others but with over one trillion photos taken each year why do so few of them truly connect why do so few of them grab our emotions or our imaginations it is not because the

[my photography toolbox a game to discover the vis copy](#) - Jan 28 2022

web my photography toolbox a game to discover the vis 1 11 downloaded from uniport edu ng on august 27 2023 by guest my photography toolbox a game to discover the vis getting the books my photography toolbox a game to discover the vis now is not type of inspiring means you could not on your own going taking into

bis publishers my photography toolbox bis publishers - Aug 15 2023

web nov 18 2018 product description create suggestive images while training your eye and improving your skills my photography toolbox is the perfect game for those who take pictures regularly and for creative social media users who would love to improve their skills

[my photography toolbox a game to discover the vis pdf](#) - Aug 03 2022

web sep 12 2022 my photography toolbox a game to discover the vis 1 9 downloaded from ny creates com on september 12 2022 by guest my photography toolbox a game to discover the vis thank you very much for downloading my photography toolbox a game to discover the vis maybe you have knowledge that people have look

my photography toolbox a game to discover the vis pdf - Jun 13 2023

web the visual toolbox 60 lessons for stronger photographs is author david duchemin s conception of a curriculum for the first year of a photography school that doesn t exist but could it s what he

[my photography toolbox a game to discover the vis copy](#) - Mar 30 2022

web my photography toolbox a game to discover the vis 3 3 compositional toolbox through a collection of 20 iconic case studies taken from different eras of game music discover many of the composition and production techniques behind popular music themes from games such as cyberpunk 2077 mario kart 8 the legend of zelda street fighter

my photography toolbox a game to discover the visual rules - Apr 11 2023

web find many great new used options and get the best deals for my photography toolbox a game to discover the visual rules

train your eye and improve your skills by rosa pons cerda 2018 kit at the best online prices at ebay free shipping for many products

my photography toolbox a game to discover the visual rules - Jul 02 2022

web merely said the my photography toolbox a game to discover the visual rules t is universally compatible with any devices to read artist toolbox drawing tools materials walter foster creative team 2019 03 05 artist toolbox drawing tools materials covers all drawing media from graphite and colored pencils to crayons and pastels as well

my photography toolbox a game to discover the vis pdf - Oct 05 2022

web mar 25 2023 photography toolbox a game to discover the vis and numerous book collections from fictions to scientific research in any way in the midst of them is this my photography toolbox a game to discover the vis that can be your partner

my photography toolbox a game to discover the vis - Dec 27 2021

web jun 5 2023 my photography toolbox a game to discover the vis 1 9 downloaded from uniport edu ng on june 5 2023 by guest my photography toolbox a game to discover the vis this is likewise one of the factors by obtaining the soft documents of this my photography toolbox a game to discover the vis by online

my photography toolbox the other shop - Mar 10 2023

web a game to discover the visual rules train your eye and improve your skills my photography toolbox is the perfect game for those who take pictures regularly and creative social media users who would love to improve their skills enables you to apply the tools that smartphones or digital cameras can t provide like so

my photography toolbox a game to discover the vis 2023 - Sep 04 2022

web a game to discover the vis a mesmerizing literary masterpiece penned by way of a distinguished author guiding readers on a profound journey to unravel the secrets and potential hidden within every word

my photography toolbox a game to discover the vis john w - Dec 07 2022

web feb 21 2023 you may know people have look hundreds times for their chosen books like this my photography toolbox a game to discover the vis but end up in infectious downloads rather than reading a good book with a cup of coffee in the afternoon instead they cope with some harmful virus inside their computer my photography toolbox a

my photography toolbox a game to discover the vis pdf pdf - Feb 09 2023

web my photography toolbox a game to discover the vis pdf as recognized adventure as with ease as experience roughly lesson amusement as competently as understanding can be gotten by just checking out a books my photography toolbox a game to discover the vis pdf then it is not directly done you could take even more with reference to this