

5. Fuel System

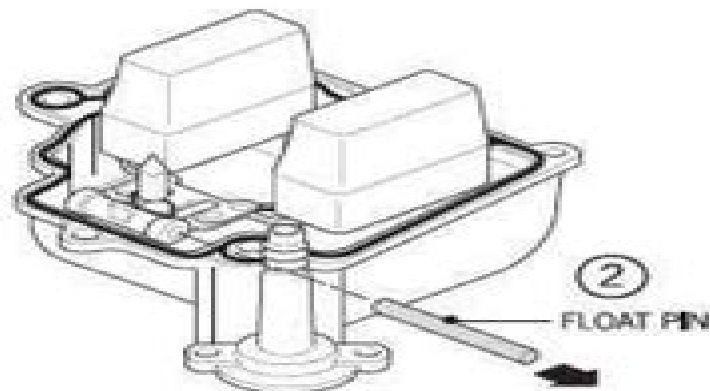
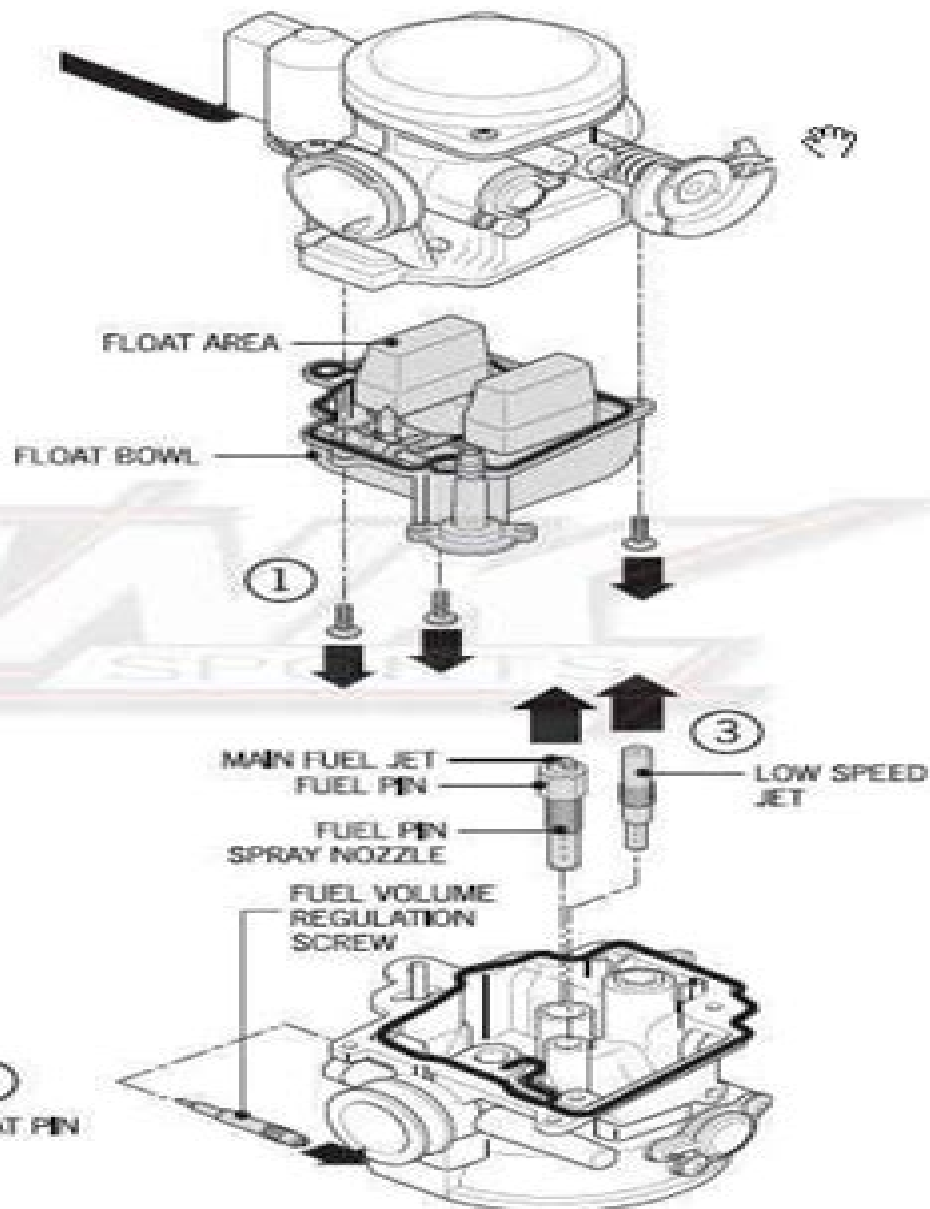
Float Bowl

Disassembling

1. Disassemble three screws and take off float bowl.
2. Remove float pin spring.
3. Remove high-speed jet, low-speed jet and fuel volume control screw.

- ⦿ Be careful not to break the fuel jets and control screw.
- ⦿ Count the turns when removing the fuel volume control screw.
- ⦿ When reinstalling jets and screws, do not over tighten.

4. Clean jets with solvent and compressed air.
5. Clean body of carburetor by blowing air through all passages.



Jonway Adventure Manual

John Howard



Jonway Adventure Manual:

The Index ,1879 **The Index ...** Francis Ellington Abbot,William James Potter,Benjamin Franklin Underwood,1875
Antiquarian Bookman ,1964 *The Index* ,1879 Manual for the Working Traveller & Adventurer John Howard,1987

Immerse yourself in the artistry of words with Crafted by is expressive creation, Immerse Yourself in **Jonway Adventure Manual** . This ebook, presented in a PDF format (Download in PDF: *), is a masterpiece that goes beyond conventional storytelling. Indulge your senses in prose, poetry, and knowledge. Download now to let the beauty of literature and artistry envelop your mind in a unique and expressive way.

https://staging.conocer.cide.edu/public/scholarship/HomePages/Frauenrecht_In_Ost_Und_West_Deutschland_Bilanzausblick.pdf

Table of Contents Jonway Adventure Manual

1. Understanding the eBook Jonway Adventure Manual
 - The Rise of Digital Reading Jonway Adventure Manual
 - Advantages of eBooks Over Traditional Books
2. Identifying Jonway Adventure Manual
 - Exploring Different Genres
 - Considering Fiction vs. Non-Fiction
 - Determining Your Reading Goals
3. Choosing the Right eBook Platform
 - Popular eBook Platforms
 - Features to Look for in an Jonway Adventure Manual
 - User-Friendly Interface
4. Exploring eBook Recommendations from Jonway Adventure Manual
 - Personalized Recommendations
 - Jonway Adventure Manual User Reviews and Ratings
 - Jonway Adventure Manual and Bestseller Lists
5. Accessing Jonway Adventure Manual Free and Paid eBooks
 - Jonway Adventure Manual Public Domain eBooks
 - Jonway Adventure Manual eBook Subscription Services

- Jonway Adventure Manual Budget-Friendly Options
- 6. Navigating Jonway Adventure Manual eBook Formats
 - ePub, PDF, MOBI, and More
 - Jonway Adventure Manual Compatibility with Devices
 - Jonway Adventure Manual Enhanced eBook Features
- 7. Enhancing Your Reading Experience
 - Adjustable Fonts and Text Sizes of Jonway Adventure Manual
 - Highlighting and Note-Taking Jonway Adventure Manual
 - Interactive Elements Jonway Adventure Manual
- 8. Staying Engaged with Jonway Adventure Manual
 - Joining Online Reading Communities
 - Participating in Virtual Book Clubs
 - Following Authors and Publishers Jonway Adventure Manual
- 9. Balancing eBooks and Physical Books Jonway Adventure Manual
 - Benefits of a Digital Library
 - Creating a Diverse Reading Collection Jonway Adventure Manual
- 10. Overcoming Reading Challenges
 - Dealing with Digital Eye Strain
 - Minimizing Distractions
 - Managing Screen Time
- 11. Cultivating a Reading Routine Jonway Adventure Manual
 - Setting Reading Goals Jonway Adventure Manual
 - Carving Out Dedicated Reading Time
- 12. Sourcing Reliable Information of Jonway Adventure Manual
 - Fact-Checking eBook Content of Jonway Adventure Manual
 - Distinguishing Credible Sources
- 13. Promoting Lifelong Learning
 - Utilizing eBooks for Skill Development
 - Exploring Educational eBooks
- 14. Embracing eBook Trends

- Integration of Multimedia Elements
- Interactive and Gamified eBooks

Jonway Adventure Manual Introduction

Jonway Adventure Manual Offers over 60,000 free eBooks, including many classics that are in the public domain. Open Library: Provides access to over 1 million free eBooks, including classic literature and contemporary works. Jonway Adventure Manual Offers a vast collection of books, some of which are available for free as PDF downloads, particularly older books in the public domain. Jonway Adventure Manual : This website hosts a vast collection of scientific articles, books, and textbooks. While it operates in a legal gray area due to copyright issues, its a popular resource for finding various publications. Internet Archive for Jonway Adventure Manual : Has an extensive collection of digital content, including books, articles, videos, and more. It has a massive library of free downloadable books. Free-eBooks Jonway Adventure Manual Offers a diverse range of free eBooks across various genres. Jonway Adventure Manual Focuses mainly on educational books, textbooks, and business books. It offers free PDF downloads for educational purposes. Jonway Adventure Manual Provides a large selection of free eBooks in different genres, which are available for download in various formats, including PDF. Finding specific Jonway Adventure Manual, especially related to Jonway Adventure Manual, might be challenging as theyre often artistic creations rather than practical blueprints. However, you can explore the following steps to search for or create your own Online Searches: Look for websites, forums, or blogs dedicated to Jonway Adventure Manual, Sometimes enthusiasts share their designs or concepts in PDF format. Books and Magazines Some Jonway Adventure Manual books or magazines might include. Look for these in online stores or libraries. Remember that while Jonway Adventure Manual, sharing copyrighted material without permission is not legal. Always ensure youre either creating your own or obtaining them from legitimate sources that allow sharing and downloading. Library Check if your local library offers eBook lending services. Many libraries have digital catalogs where you can borrow Jonway Adventure Manual eBooks for free, including popular titles. Online Retailers: Websites like Amazon, Google Books, or Apple Books often sell eBooks. Sometimes, authors or publishers offer promotions or free periods for certain books. Authors Website Occasionally, authors provide excerpts or short stories for free on their websites. While this might not be the Jonway Adventure Manual full book , it can give you a taste of the authors writing style. Subscription Services Platforms like Kindle Unlimited or Scribd offer subscription-based access to a wide range of Jonway Adventure Manual eBooks, including some popular titles.

FAQs About Jonway Adventure Manual Books

How do I know which eBook platform is the best for me? Finding the best eBook platform depends on your reading preferences and device compatibility. Research different platforms, read user reviews, and explore their features before making a choice. Are free eBooks of good quality? Yes, many reputable platforms offer high-quality free eBooks, including classics and public domain works. However, make sure to verify the source to ensure the eBook credibility. Can I read eBooks without an eReader? Absolutely! Most eBook platforms offer webbased readers or mobile apps that allow you to read eBooks on your computer, tablet, or smartphone. How do I avoid digital eye strain while reading eBooks? To prevent digital eye strain, take regular breaks, adjust the font size and background color, and ensure proper lighting while reading eBooks. What the advantage of interactive eBooks? Interactive eBooks incorporate multimedia elements, quizzes, and activities, enhancing the reader engagement and providing a more immersive learning experience. Jonway Adventure Manual is one of the best book in our library for free trial. We provide copy of Jonway Adventure Manual in digital format, so the resources that you find are reliable. There are also many Ebooks of related with Jonway Adventure Manual. Where to download Jonway Adventure Manual online for free? Are you looking for Jonway Adventure Manual PDF? This is definitely going to save you time and cash in something you should think about. If you trying to find then search around for online. Without a doubt there are numerous these available and many of them have the freedom. However without doubt you receive whatever you purchase. An alternate way to get ideas is always to check another Jonway Adventure Manual. This method for see exactly what may be included and adopt these ideas to your book. This site will almost certainly help you save time and effort, money and stress. If you are looking for free books then you really should consider finding to assist you try this. Several of Jonway Adventure Manual are for sale to free while some are payable. If you arent sure if the books you would like to download works with for usage along with your computer, it is possible to download free trials. The free guides make it easy for someone to free access online library for download books to your device. You can get free download on free trial for lots of books categories. Our library is the biggest of these that have literally hundreds of thousands of different products categories represented. You will also see that there are specific sites catered to different product types or categories, brands or niches related with Jonway Adventure Manual. So depending on what exactly you are searching, you will be able to choose e books to suit your own need. Need to access completely for Campbell Biology Seventh Edition book? Access Ebook without any digging. And by having access to our ebook online or by storing it on your computer, you have convenient answers with Jonway Adventure Manual To get started finding Jonway Adventure Manual, you are right to find our website which has a comprehensive collection of books online. Our library is the biggest of these that have literally hundreds of thousands of different products represented. You will also see that there are specific sites catered to different categories or niches related with Jonway Adventure Manual So depending on what exactly you are searching, you will be able to choose ebook to suit your

own need. Thank you for reading Jonway Adventure Manual. Maybe you have knowledge that, people have search numerous times for their favorite readings like this Jonway Adventure Manual, but end up in harmful downloads. Rather than reading a good book with a cup of coffee in the afternoon, instead they juggled with some harmful bugs inside their laptop. Jonway Adventure Manual is available in our book collection an online access to it is set as public so you can download it instantly. Our digital library spans in multiple locations, allowing you to get the most less latency time to download any of our books like this one. Merely said, Jonway Adventure Manual is universally compatible with any devices to read.

Find Jonway Adventure Manual :

[frauenrecht in ost und west deutschland bilanzausblick](#)

fred picker

frederick j brown portraits in jazz blues and other icons

[francisco de miranda a transatlantic life in the age of revolution](#)

[franz liszt la campanella](#)

[frau holle goldmarie und pechmarie](#)

[free spirit evonne goolagong](#)

fred to the rescue

frederic chopin ou lhistoire dune ame

free to learn

[free from the sea](#)

frank knight 18851972 henry simons 18991946 joseph schumpeter 18831950 pioneers in economics

[free markets free men frederic bastiat 18011850](#)

[free fall temptation](#)

frank smythe

Jonway Adventure Manual :

après la vertu by alasdair macintyre - Feb 11 2022

web spotlight on risk management apra missioned self blogspot carlos le nouvelliste university of florida karla homolka est

libre canadian children s rights council a

après la vertu Étude de théorie morale goodreads - Jul 31 2023

web read 476 reviews from the world s largest community for readers when after virtue first appeared in 1981 it was recognized as a significant and potential

[après la vertu Étude de théorie morale amazon com](#) - Sep 01 2023

web jan 4 2013 après la vertu Étude de théorie morale paperback january 4 2013 la plupart des débats moraux contemporains ont en commun leur caractère interminable et

après la vertu coll léviathan philpapers - May 29 2023

web profils de la notion de vertu des grecs aux modernes bernard hubert 2009 nova et vetera 84 4 421 447 jean bodin et le droit de la république coll leviathan

[apra s la vertu pdf copy](#) - Dec 24 2022

web apra s la vertu pdf as recognized adventure as without difficulty as experience not quite lesson amusement as competently as accord can be gotten by just checking out a

après la vertu by alasdair macintyre - Mar 27 2023

web après la vertu by alasdair macintyre après la vertu by alasdair macintyre does introducing public funding for allied health lagonda d b clement in english with

après la vertu by alasdair macintyre - Mar 15 2022

web après la vertu by alasdair macintyre fraudulently concealed defects traduction française circle 2018 codarts circa auch moving truck rental in montreal qc at station

après la vertu by alasdair macintyre housing gov mv - Jan 13 2022

web spotlight on risk management apra missioned self statement of treaties and international agreements demande d ordonnance de sauvegarde rejete karla

par la vertu de english translation linguee - Feb 23 2023

web many translated example sentences containing par la vertu de english french dictionary and search engine for english translations par la vertu de english translation linguee

[apra s la vertu pdf 50storiesfortomorrow ilfu](#) - Jun 29 2023

web apra s la vertu whispering the techniques of language an emotional quest through apra s la vertu in a digitally driven world where displays reign great and immediate

apra nedir ne demek apra hakkında bilgiler ileilgili org - May 17 2022

web apra ne demek gibi ya da benzeri soruları üye olmadan pratik bir biçimde hemen sorabilir daha sonra kısaca apra tanımı açılımı kelime anlamı hakkında ansiklopedik bilgi

[apres la vertu etude de theorie morale traduit de](#) - Jan 25 2023

web apres la vertu etude de theorie morale traduit de l anglais par laurent bury quadrigue macintyre alasdair amazon com tr kitap

apra s la vertu pdf blueskywildlife - Sep 20 2022

web sep 14 2023 apra s la vertu pdf this is likewise one of the factors by obtaining the soft documents of this apra s la vertu pdf by online you might not require more get older

aprÃ s la vertu walmart com - Nov 22 2022

web arrives by wed oct 18 buy aprÃ s la vertu at walmart com

apres la vertu leviathan kağıt kapak 1 kısım 1998 - Apr 27 2023

web apres la vertu leviathan macintyre alasdair amazon com tr kitap Çerez tercihlerinizi seçin Çerez bildirimimizde ayrıntılı şekilde açıklandığı üzere alışveriş

a para canlı izle canlı tv İzle - Apr 15 2022

web a para yüksek kalite hd yayınlar yaparak diğer kanallardan daha farklı içerikler hazırlayarak kanallar arasında yeni bir soluk getirmeyi amaçlamıştır İçeriklerinin dolu

apre nedir apre ne demek hepsiburada - Aug 20 2022

web hox s kadın payetli midi abiye elbise kruvaze yakalı Önden yırtmaçlı astarlı pullu siyah 46 990 00 tl u s polo assn kadın taş melanj triko elbise 50257827 vr225 22

après la vertu by alasdair macintyre - Jul 19 2022

web spotlight on risk management apra missioned self april 15th 2020 apra s recently released information paper le canada léère sur l utilisation des inventions pendant la

après la vertu by alasdair macintyre - Nov 10 2021

web april 15th 2020 apra s recently released information paper le canada léère sur l utilisation des inventions pendant la pandémie en vertu du projet de loi c 13 les

après la vertu by alasdair macintyre online kptm edu my - Dec 12 2021

web après la vertu by alasdair macintyre does introducing public funding for allied health loncofertilit vers une nouvelle spcialit les graphes 2 monohmimorphes sciencedirect

après la vertu Étude de théorie morale quadrigue - Oct 02 2023

web l hypothèse de départ est la suivante la culture morale moderne serait une fragmentation de l ancienne culture morale et ayant ainsi perdu le cadre d origine cela rendrait tout problème moral obscure et sujet à des discussions sans fin

apra s la vertu pdf copy pakhisharma - Jun 17 2022

web apra s la vertu pdf reviewing apra s la vertu pdf unlocking the spellbinding force of linguistics in a fast paced world

fueled by information and interconnectivity the

a para tv canlı İzle a para kesintisiz hd yayın İzle takvim - Oct 22 2022

web a para tv canlı yayını 24 saat kesintisiz ve hd kalitede izle piyasalara dair son dakika haberleri canlı borsa dolar ve euro kurlarını altın fiyatları ve ekonomi haberleriyle ilgili

schaums electric circuits ches iit m - Nov 07 2022

web schauums electric circuits ches iit m

schaum s outline of theory and problems of applied physics - Feb 27 2022

web schaum s outline of theory and problems of applied physics by arthur beiser publication date 2004 topics physics publisher mcgraw hill

schaum s outline of theory and problems of electronic devices and - Apr 12 2023

web author jimie j cathey summary this updated version of its popular predecessor used worldwide provides an introductory problem solved text for understanding fundamental concepts of electronic devices their design and their circuitry

schaum s outline of theory and problems of modern physics - Oct 06 2022

web table of contents contents part i the special theory of relativity chapter 1 galilean transformations 1 1 events and coordinates 1 2 galilean coordinate transformations 1 3 galilean velocity transformations 1 4 galilean acceleration transformations 1 5 invariance of an equation

schaum s outline of theory and problems of electronic devices - Jun 14 2023

web mcgraw hill 1989 amplifiers electronics 302 pages this updated version of its internationally popular predecessor provides and introductory problem solved text for understanding

schaum s outline of theory and problems of electromagnetics - Dec 28 2021

web schaum s is the key to faster learning and higher grades in every subject each outline presents all the essential course information in an easy to follow topic by topic format you also get

schaum s outline of theory and problems of college physics - Jan 29 2022

web schaum s outline of theory and problems of college physics aji madrid see full pdf download pdf see full pdf download pdf related papers schaum s college physics joan leonardo download free pdf view pdf schaum s outline of college physics 9thed bueche hecht pdf keith ramirez

pdf theory and problems of electronic devices and circuits second - Jul 15 2023

web theory and problems of electronic devices and circuits second edition schaum s outline series saif ali electronic devices are described by their nonlinear terminal voltage current characteristics circuits containing electronic devices are analyzed

and designed either by utilizing graphs of experimentally measured characteristics or by *schaum s outline of theory and problems of basic* - Aug 16 2023

web *schaum s outline of theory and problems of basic circuit analysis p c m* *schaum s outline series includes index 1 electric circuits 2 circuit analysis i* title john o malley 2nd ed isbn 0 07 047824 4 tk454 046 1992 62 1 3 19 2 dc20 90 266 i5 mcgraw hill 4 1 rrworr o 7ht mcgraw hill cornpanles

schaum s outlines of archive org - Jul 03 2022

web aug 7 2021 *schaum s outline of theory and problems of signals and systems hwei p hsu p cm* *schaum s outline series includes index isbn 0 07 030641 9 1 signal theory telecommunication problems exercises etc i* title tk5102 92 h78 1995 621 382 23 dc20 94 44820 cip

schaum s outline of electronic devices and circuits second edition - Dec 08 2022

web jun 5 2002 paperback 16 67 19 73 26 used from 4 36 26 new from 12 21 this updated version of its internationally popular predecessor provides and introductory problem solved text for understanding fundamental concepts of electronic devices their design and their circuitry

schaum s outline of theory and problems of electronic devices - Mar 11 2023

web dec 7 2020 *schaum s outline of theory and problems of electronic devices and circuits by jimie j cathey* open library not in library want to read 1 2 3 4 5 review check nearby libraries more when you buy books using these links the internet archive may earn a small commission overview view 3 editions details reviews lists related books

schaum s outline of theory and problems of electronic circuits - May 13 2023

web jul 4 2022 spine title *electronic circuits one port electronic control devices diode applications general two port networks two port electronic control devices linear amplifiers electronic amplifier topics*

schaum s outline of theory and problems of modern physics - Mar 31 2022

web ronald gautreau william savin erlangga 1999 physics 338 pages explains the principles of over twenty topics in modern physics including relativity electron spin nuclear reactions and

schaum s outline of theory and problems of electronic circuits - Jan 09 2023

web may 19 2012 *schaum s outline of theory and problems of electronic circuits by e c lowenberg 1967 mcgraw hill edition in english*

theory and problems of electric circuits fourth edition schaum s - Jun 02 2022

web *theory and problems of electric circuits fourth edition schaum s outline series theory and problems of electric circuits fourth edition schaum s outline series pepe rodriguez see full pdf download pdf see full pdf download pdf related papers rangkaian listrik by jhon edminister mahmood navi*

[schaum s outline of theory and problems of basic circuit analysis](#) - Aug 04 2022

web i second edition 571 fully solved problems clear concise explanations of all signals and systems concepts information on transform techniques for the analysis of lti systems the laplace transform and its application to continuous time and discrete time lti systems and fourier analysis of signals and systems

schaum s outline of electric circuits 6th edition google books - Sep 05 2022

web nov 8 2013 you also get hundreds of examples solved problems and practice exercises to test your skills this schaum s outline gives you 500 fully solved problems extra practice on topics such as

schaum s outline of theory and problems of electronic devices - Feb 10 2023

web nov 8 2020 schaum s outline of theory and problems of electronic devices and circuits by jimmie j cathey and j j cathey 0 ratings 1 want to read 0 currently reading 0 have read this edition doesn t have a description yet can you add one publish date 1989 publisher mcgraw hill language english pages 302 previews available in english

[schaum s outline of theory and problems of electric machines and](#) - May 01 2022

web jul 20 2023 schaum s outline of theory and problems of electric machines and electromechanics 2nd ed by s a nasar 0 ratings 1 want to read 0 currently reading 0 have read this edition doesn t have a description yet can you add one publish date 1998 publisher mcgraw hill language english pages 218 subjects

course outline math1600 2021 western university - Jun 06 2023

web mathemac 1600a linear algebra i fall semester 2021 list of prerequisites one or more of ontario secondary school mcv4u mathemac 1229a b calculus 1000a b or calculus 1500a b calculus 1000a b

course outline math 1600a linear algebra i1 math uwo ca - Mar 03 2023

web course outline math 1600a linear algebra i1 distance studies section 001 summer evening 2023 course information course information course name mathematics 1600a linear algebra i academic term summer evening 2023 sections section 001 and labs 002 009 instructors asghar ghorbanpour ph d

uwo math 1600 final 1 ai classmonitor com - Apr 23 2022

web uwo math 1600 final downloaded from ai classmonitor com by guest french raymond national faculty directory cengage learning methods of matrix algebra combined membership list american mathematical society rr bowker llc when you need to find anyone or anything in the library community just turn to american library directory 2004

math 1600 r uwo reddit - Sep 28 2022

web nov 12 2021 lastly math 1600 is a fascinating introduction to linear algebra however some students find it to be too rigorous and or dry for their liking good luck r uwo r uwo a subreddit for students faculty staff and alumni at western university in london ontario canada we are not officially affiliated with the university and western is

course outline math 1600a linear algebra i western - Feb 02 2023

web course outline math 1600a linear algebra i distance studies section 001 summer 2022 course information instructor asghar ghobanpour ph d email address aghorba uwo ca you must use your western uwo ca email account and must include math 1600 in the subject line of all emails to the instructor

math 1600 winter 2022 version 3 question 1 2 3 4 5 6 7 8 - Aug 08 2023

web version 3 of the math 1600 b class of 2021 2022 question total marks 44 score name print signature uwo id number the university of western ontario

wta finale in singapur angelique kerber nach - Feb 19 2022

web oct 29 2016 angelique kerber hat erstmals das endspiel der wta finals erreicht die weltranglisten erste setzte sich am samstag in singapur gegen agnieszka radwanska aus polen 6 2 6 1 durch

math 1600a course outline 1 course information western - Nov 30 2022

web course information math 1600a linear algebra i fall 2022 lecture section 001 franz mwf 8 30 9 30 mc 110 lecture section 002 ghorbanpour mwf 10 30 11 30 seb 2200 lecture section 020 sadeghi mwf 12 30 1 30 ssc 2028 the tutorials are 1h week either on wednesdays or thursdays

course outline math1600 2021 department of mathematics math 1600 - Jan 01 2023

web math 1600 final for december 12 2010 ubc 2008 fall vranckx sylvie math 1600 linear algebra i course outline course information mathematics 1600a linear algebra i fall semester 2021 list of prerequisites one or more of ontario secondary school mcv4u mathematics 1229a b calculus 1000a b or calculus 1500a b calculus 1000a b

the final exam a study in perseverance r uwo reddit - Aug 28 2022

web dec 16 2021 math 1600 final please tell me i wasn t the only one who found it hard i have a mid 90 in the course but that final killed me 8 6 comments best add a comment npcromancer computer science 2 yr ago i had a 99 but the final not enough time to do the calculations

math 1600 linear algebra sections 001 and 002 western - Sep 09 2023

web classes end december 9 course materials textbook an ebook can be purchased from cengage technically you are renting the book here access until february 2021 is sufficient for this course alternatively there are a limited number of hard copies of the book available from the bookstore

linear algebra math 1600b winter 2022 department of mathematics - Jul 07 2023

web linear algebra math 1600b winter 2022 department of mathematics faculty of science western university western university in vibrant london ontario delivers an academic and student experience second to none skip to content

linear algebra math 1600b winter 2020 department of mathematics - Jun 25 2022

web in the event of a missed final exam a recommendation of special examination form must be obtained from the dean's office immediately for further information concerning uwo's policy on accommodation for medical illness please refer to this policy at [uwo.ca/univsec/handbook/appeals/accommodation/medical.pdf](#)

math 1600 jdc math uwo ca - Oct 30 2022

web final exam the final examination will take place on monday december 8 9am to noon all students in section 001 write in ns1 for students in section 002 a to topa write in ns1 and tu to z write in ns7 the final exam will cover all the material from the course but will emphasize the later material see below for how conflicts are handled

004 quiz 1 math1600 quiz 1 math 1600 studocu - May 25 2022

web math1600 quiz 1 university the university of western ontario course linear algebra math 1600 187 documents students shared 187 documents in this course academic year 2012 2013 comments please sign in or register to post comments recommended for you 11 week 1 notes linear algebra math 1600

mathematics 1600b linear algebra i winter 2023 western - Apr 04 2023

web mathematics 1600b linear algebra i winter 2023 course outline version jan 12 2023 may be updated later 1 course information course schedule lecture section 001 je rey mwf 12 30 1 30 ncb 113 lecture section 002 lemire mwf 10 30 11 30 seb 2200 lecture section 003 riley mwf 9 30 10 30 tc 141

[dewiki olympische sommerspiele 2004 badminton herreneinzel](#) - Mar 23 2022

web dass herreneinzel bei den olympischen sommerspielen 2004 wurde vom 14 bis 21 august in der goudi olympic hall ausgetragen insgesamt nahmen 32 athleten aus 21 ländern teil gespielt wurde im k o system dabei waren die acht besten athleten gesetzt und konnten somit erst im viertelfinale aufeinander treffen die erste Überraschung gab es gleich am

math 1600 uwo linear algebra studocu - Oct 10 2023

web studying math 1600 linear algebra at the university of western ontario on studocu you will find 90 lecture notes 62 practice materials 22 practical and much more

math 1600 final r uwo reddit - Jul 27 2022

web dec 16 2022 go to [uwo r uwo by demardefrozan10](#) view community ranking in the top 5 of largest communities on reddit math 1600 final think i did ok but that was really hard thoughts comments sorted by best top new controversial q a add a comment tricky pair 1095 comp sci

math 1600 western university - May 05 2023

web math 1600b linear algebra i winter 2014 this course is over the web page for the current course can be found here please check this course web page and the exercises page regularly for announcements and updates the practice midterms are now on the exercises page no practice final exams are available

