

**MODEL H**  
SERIAL 1-1000

WHEN ORDERING PARTS  
REPORT SERIAL NUMBER  
SHOWN ON THIS PLATE

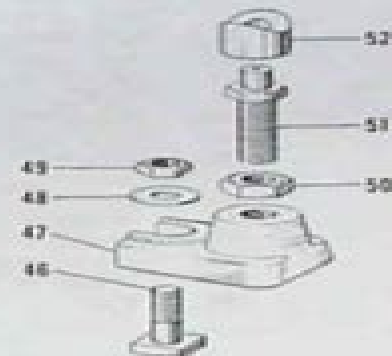
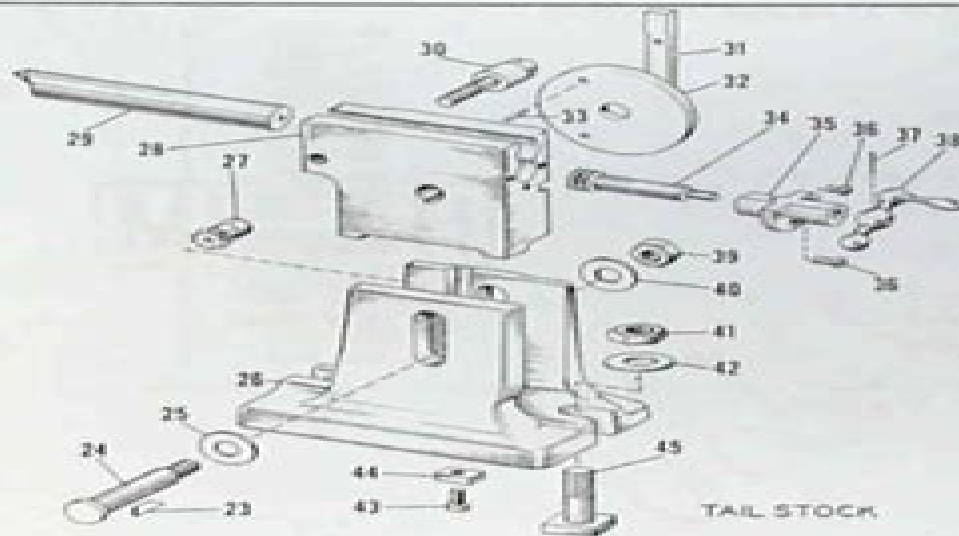
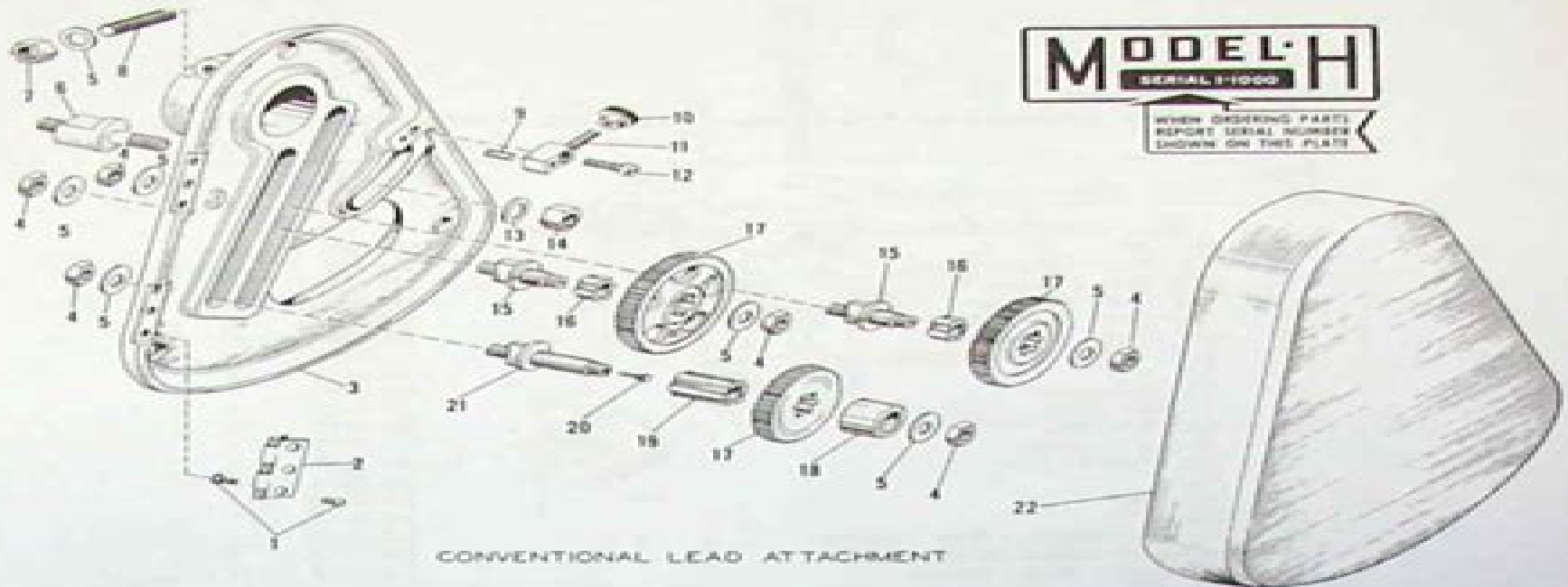


FIG. 24 - CONVENTIONAL LEAD ATTACHMENT, TAIL STOCK AND STEADY REST

# Milwaukee Model H Horizontal Mill Manual



**R Pring**

**Milwaukee Model H Horizontal Mill Manual:**

Employment of Women in the Manufacture of Cannon and Small Arms in 1942 Margaret Kay Anderson,1943      Your Questions as to Women in War Industries: Types of Jobs Dorothy Krall Newman,Martha Jean Ziegler,Caroline A. DeCaux,Ethel Erickson,Mary Elizabeth Pidgeon,United States. Women's Bureau,1944      American Machinist ,1921  
Machinery and Production Engineering ,1924      **Machinery** Lester Gray French,1921      Foundry Management & Technology ,1975      **Machinery Market** ,1963      Iron Age and Hardware, Iron and Industrial Reporter ,1925      Iron Age ,1905      **Defense** ,1941      Victory Bulletin ,1940      **Defense** United States. Office for Emergency Management,1941  
**Specifications and Drawings of Patents Issued from the United States Patent Office** United States. Patent Office,1909      American Machinist & Automated Manufacturing ,1923      The Foundry Trade Journal ,1975      **Western Machinery and Steel World ...** ,1926      Waste Trade Journal and Mill Stock Reporter ,1912      Official Gazette of the United States Patent Office United States. Patent Office,1877      Official Gazette of the United States Patent and Trademark Office United States. Patent and Trademark Office,1876      Tractor and Gas Engine Review ,1908

Delve into the emotional tapestry woven by in **Milwaukee Model H Horizontal Mill Manual** . This ebook, available for download in a PDF format ( PDF Size: \*), is more than just words on a page; it's a journey of connection and profound emotion. Immerse yourself in narratives that tug at your heartstrings. Download now to experience the pulse of each page and let your emotions run wild.

<https://staging.conocer.cide.edu/data/detail/Documents/Les%20Plus%20Belles%20Oeuvres%20De%20Diego%20Veaucutela%20Squez.pdf>

## **Table of Contents Milwaukee Model H Horizontal Mill Manual**

1. Understanding the eBook Milwaukee Model H Horizontal Mill Manual
  - The Rise of Digital Reading Milwaukee Model H Horizontal Mill Manual
  - Advantages of eBooks Over Traditional Books
2. Identifying Milwaukee Model H Horizontal Mill Manual
  - Exploring Different Genres
  - Considering Fiction vs. Non-Fiction
  - Determining Your Reading Goals
3. Choosing the Right eBook Platform
  - Popular eBook Platforms
  - Features to Look for in an Milwaukee Model H Horizontal Mill Manual
  - User-Friendly Interface
4. Exploring eBook Recommendations from Milwaukee Model H Horizontal Mill Manual
  - Personalized Recommendations
  - Milwaukee Model H Horizontal Mill Manual User Reviews and Ratings
  - Milwaukee Model H Horizontal Mill Manual and Bestseller Lists
5. Accessing Milwaukee Model H Horizontal Mill Manual Free and Paid eBooks
  - Milwaukee Model H Horizontal Mill Manual Public Domain eBooks
  - Milwaukee Model H Horizontal Mill Manual eBook Subscription Services

- Milwaukee Model H Horizontal Mill Manual Budget-Friendly Options
- 6. Navigating Milwaukee Model H Horizontal Mill Manual eBook Formats
  - ePub, PDF, MOBI, and More
  - Milwaukee Model H Horizontal Mill Manual Compatibility with Devices
  - Milwaukee Model H Horizontal Mill Manual Enhanced eBook Features
- 7. Enhancing Your Reading Experience
  - Adjustable Fonts and Text Sizes of Milwaukee Model H Horizontal Mill Manual
  - Highlighting and Note-Taking Milwaukee Model H Horizontal Mill Manual
  - Interactive Elements Milwaukee Model H Horizontal Mill Manual
- 8. Staying Engaged with Milwaukee Model H Horizontal Mill Manual
  - Joining Online Reading Communities
  - Participating in Virtual Book Clubs
  - Following Authors and Publishers Milwaukee Model H Horizontal Mill Manual
- 9. Balancing eBooks and Physical Books Milwaukee Model H Horizontal Mill Manual
  - Benefits of a Digital Library
  - Creating a Diverse Reading Collection Milwaukee Model H Horizontal Mill Manual
- 10. Overcoming Reading Challenges
  - Dealing with Digital Eye Strain
  - Minimizing Distractions
  - Managing Screen Time
- 11. Cultivating a Reading Routine Milwaukee Model H Horizontal Mill Manual
  - Setting Reading Goals Milwaukee Model H Horizontal Mill Manual
  - Carving Out Dedicated Reading Time
- 12. Sourcing Reliable Information of Milwaukee Model H Horizontal Mill Manual
  - Fact-Checking eBook Content of Milwaukee Model H Horizontal Mill Manual
  - Distinguishing Credible Sources
- 13. Promoting Lifelong Learning
  - Utilizing eBooks for Skill Development
  - Exploring Educational eBooks
- 14. Embracing eBook Trends

- Integration of Multimedia Elements
- Interactive and Gamified eBooks

### **Milwaukee Model H Horizontal Mill Manual Introduction**

In today's digital age, the availability of Milwaukee Model H Horizontal Mill Manual books and manuals for download has revolutionized the way we access information. Gone are the days of physically flipping through pages and carrying heavy textbooks or manuals. With just a few clicks, we can now access a wealth of knowledge from the comfort of our own homes or on the go. This article will explore the advantages of Milwaukee Model H Horizontal Mill Manual books and manuals for download, along with some popular platforms that offer these resources. One of the significant advantages of Milwaukee Model H Horizontal Mill Manual books and manuals for download is the cost-saving aspect. Traditional books and manuals can be costly, especially if you need to purchase several of them for educational or professional purposes. By accessing Milwaukee Model H Horizontal Mill Manual versions, you eliminate the need to spend money on physical copies. This not only saves you money but also reduces the environmental impact associated with book production and transportation. Furthermore, Milwaukee Model H Horizontal Mill Manual books and manuals for download are incredibly convenient. With just a computer or smartphone and an internet connection, you can access a vast library of resources on any subject imaginable. Whether you're a student looking for textbooks, a professional seeking industry-specific manuals, or someone interested in self-improvement, these digital resources provide an efficient and accessible means of acquiring knowledge. Moreover, PDF books and manuals offer a range of benefits compared to other digital formats. PDF files are designed to retain their formatting regardless of the device used to open them. This ensures that the content appears exactly as intended by the author, with no loss of formatting or missing graphics. Additionally, PDF files can be easily annotated, bookmarked, and searched for specific terms, making them highly practical for studying or referencing. When it comes to accessing Milwaukee Model H Horizontal Mill Manual books and manuals, several platforms offer an extensive collection of resources. One such platform is Project Gutenberg, a nonprofit organization that provides over 60,000 free eBooks. These books are primarily in the public domain, meaning they can be freely distributed and downloaded. Project Gutenberg offers a wide range of classic literature, making it an excellent resource for literature enthusiasts. Another popular platform for Milwaukee Model H Horizontal Mill Manual books and manuals is Open Library. Open Library is an initiative of the Internet Archive, a non-profit organization dedicated to digitizing cultural artifacts and making them accessible to the public. Open Library hosts millions of books, including both public domain works and contemporary titles. It also allows users to borrow digital copies of certain books for a limited period, similar to a library lending system. Additionally, many universities and educational institutions have their own digital libraries that provide free access to PDF books and manuals. These libraries often offer

academic texts, research papers, and technical manuals, making them invaluable resources for students and researchers. Some notable examples include MIT OpenCourseWare, which offers free access to course materials from the Massachusetts Institute of Technology, and the Digital Public Library of America, which provides a vast collection of digitized books and historical documents. In conclusion, Milwaukee Model H Horizontal Mill Manual books and manuals for download have transformed the way we access information. They provide a cost-effective and convenient means of acquiring knowledge, offering the ability to access a vast library of resources at our fingertips. With platforms like Project Gutenberg, Open Library, and various digital libraries offered by educational institutions, we have access to an ever-expanding collection of books and manuals. Whether for educational, professional, or personal purposes, these digital resources serve as valuable tools for continuous learning and self-improvement. So why not take advantage of the vast world of Milwaukee Model H Horizontal Mill Manual books and manuals for download and embark on your journey of knowledge?

### **FAQs About Milwaukee Model H Horizontal Mill Manual Books**

**What is a Milwaukee Model H Horizontal Mill Manual PDF?** A PDF (Portable Document Format) is a file format developed by Adobe that preserves the layout and formatting of a document, regardless of the software, hardware, or operating system used to view or print it. **How do I create a Milwaukee Model H Horizontal Mill Manual PDF?** There are several ways to create a PDF: Use software like Adobe Acrobat, Microsoft Word, or Google Docs, which often have built-in PDF creation tools. Print to PDF: Many applications and operating systems have a "Print to PDF" option that allows you to save a document as a PDF file instead of printing it on paper. Online converters: There are various online tools that can convert different file types to PDF. **How do I edit a Milwaukee Model H Horizontal Mill Manual PDF?** Editing a PDF can be done with software like Adobe Acrobat, which allows direct editing of text, images, and other elements within the PDF. Some free tools, like PDFescape or Smallpdf, also offer basic editing capabilities. **How do I convert a Milwaukee Model H Horizontal Mill Manual PDF to another file format?** There are multiple ways to convert a PDF to another format: Use online converters like Smallpdf, Zamzar, or Adobe Acrobats export feature to convert PDFs to formats like Word, Excel, JPEG, etc. Software like Adobe Acrobat, Microsoft Word, or other PDF editors may have options to export or save PDFs in different formats. **How do I password-protect a Milwaukee Model H Horizontal Mill Manual PDF?** Most PDF editing software allows you to add password protection. In Adobe Acrobat, for instance, you can go to "File" -> "Properties" -> "Security" to set a password to restrict access or editing capabilities. Are there any free alternatives to Adobe Acrobat for working with PDFs? Yes, there are many free alternatives for working with PDFs, such as: LibreOffice: Offers PDF editing features. PDFsam: Allows splitting, merging, and editing PDFs. Foxit Reader: Provides basic PDF viewing and editing

capabilities. How do I compress a PDF file? You can use online tools like Smallpdf, I LovePDF, or desktop software like Adobe Acrobat to compress PDF files without significant quality loss. Compression reduces the file size, making it easier to share and download. Can I fill out forms in a PDF file? Yes, most PDF viewers/editors like Adobe Acrobat, Preview (on Mac), or various online tools allow you to fill out forms in PDF files by selecting text fields and entering information. Are there any restrictions when working with PDFs? Some PDFs might have restrictions set by their creator, such as password protection, editing restrictions, or print restrictions. Breaking these restrictions might require specific software or tools, which may or may not be legal depending on the circumstances and local laws.

**Find Milwaukee Model H Horizontal Mill Manual :**

[les plus belles oeuvres de diego veautelasquez](#)

[les mis education study guide answers](#)

**les mills body step manual**

[les regreves dor du management les mini larousse](#)

**les pompiers collection mini t**

[les essentiels de la pacirtisserie](#)

**les prophecuteties du e eacutevangile selon freacutedeacuteric mistral**

**les songes bleus du petit roi tome la trilogie bleue**

[les pieds nickeleacutes hippies](#)

**les naufrageacutes du jonathan annoteacute**

[les petits secrets du networking](#)

[les lois de la vie](#)

[les origines de lamour](#)

[les schtroumpfs tome les schtroumpfs et larbre dor](#)

**les ombres du passeacute inteacutegrale linteacutegrale**

**Milwaukee Model H Horizontal Mill Manual :**

**le lspcc github** - Feb 26 2022

web le lot de sauvetage et de protection contre les chutes r dans certaines interventions les sapeurs pompiers sont parfois confrontés à des situations qui nécessitent l emploi du lot de sauvetage r r i la composition du lot de sauvetage r r 1 la



composition obligatoire r r

*le lspcc des sapeurs pompiers les manoeuvres rescue 18* - Jul 14 2023

web apr 18 2020 le lot de sauvetage et de protection contre les chutes sert à le sauvetage ou mise en se curite d une personne par l exte rieur la reconnaissance d appartement le sauvetage ou mises en sécurité dans les puits fosses ou en excavation le déplacement d une victime inconsciente ou invalide par un sauveteur l évolution

**lot de sauvetage et de protection contre les chutes sdis 03** - Mar 10 2023

web les lots de sauvetage et protection contre les chutes sont destinés au sauvetage ou mise en sécurité d une personne par l extérieur au sauvetage dans les puits fosses ou en excavation à la protection contre les chutes de hauteur

*lspcc lot de sauvetage et de protection contre les chutes* - May 12 2023

web lot de sauvetage et de protection contre les chutes i generalites possibilités parer les chutes du personnel lors de déplacement dans un environnement hostile limites la distance entre les amarrages est déterminée par la hauteur libre sous la personne en progression tenir compte de l élasticité de la corde

*lot de sauvetage et de protection contre les chutes by* - Dec 27 2021

web protection contre les chutes lot de sauvetage materiel pompier lot de sauvetage et de protection contre les chutes lots de sauvetage et de protection contre les chutes lot de sauvetage et de protection contre les chutes lspcc lot de sauvetage et de protection contre les chute lot de sauvetage et de protection

*lot de sauvetage et de protection contre les chutes le matériel* - Jan 08 2023

web chacun d eux a une résistance de 2 000 kg et une largeur de 18 à 25 mm le lot engin est composé de 3 anneaux cousus minimums de 0 80 m et de couleur bleu clair 3 anneaux cousus minimums de 1 50 m et de couleur rouge le lot échelle comprend 6 anneaux cousus de 0 80 m et de couleur bleu clair

*lot de sauvetage et de protection contre les chutes j s p urt* - Mar 30 2022

web lot de sauvetage et de protection contre les chutes j s p urt jspurt 20 subscribers subscribe 17k views 13 years ago matinée l s p c c avec les jeunes sapeurs

lot de sauvetage et de protection contre les chutes le matériel - Aug 03 2022

web lot de sauvetage et de protection contre les chutes a l issue de chaque intervention la corde est sortie entièrement du sac une vérification l objet d un renvoi du lot complet glog um author mussard vincent created date 8 20 2022 6 30 40 am

*lots de sauvetage et de protection contre les chut catalogue* - Apr 30 2022

web lots de sauvetage et de protection contre les chutes auteurs fransel Éditeur scientifique type de document texte imprimé editeur aubervilliers france sélection dl 2001 collection guide de référence formation

**lot de sauvetage et de protection contre les chutes wikipédia** - Apr 11 2023

web en france le lot de sauvetage et de protection contre les chutes lspcc est un matériel qui est utilisé dans le domaine du secours il permet d évacuer une victime en danger

**lots de sauvetage et de protection contre les chut catalogue** - Dec 07 2022

web les lots de sauvetage et protection contre les chutes sont destinés au sauvetage ou mise en sécurité d une personne par l extérieur au sauvetage dans les puits fosses ou en excavation à la protection contre les chutes de hauteur

lot de sauvetage matériel pompier pompiercenter com - Oct 05 2022

web le lot de sauvetage est utilisé par tous les sapeurs pompiers de france il a deux utilisations possibles protection contre les chutes de hauteur il permet d assurer le sauveteur pendant des interventions en hauteur par exemple sur un toit dans un arbre pour attaquer un nid d abeilles sauvetage vertical

**lspcc présentation du lot de sauvetage et de protection contre les** - Sep 04 2022

web cette vidéo illustre la présentation du lot de sauvetage et de protection contre les chutes merci à théo dadillon emeline paurise pour la création de ces vi

lot de sauvetage et de protection contre les chut download - Jan 28 2022

web 4 lot de sauvetage et de protection contre les chut 2020 03 11 m a fait grandir et à qui je dois ces rencontres avec mon père mes pairs mes repères ceux qui ont marqué ma vie professionnelle et personnelle et qui m ont permis de pouvoir écrire ce livre aujourd'hui et tourner ma page de vie un témoignage rendu à ces femmes et

lots de sauvetage et de protection contre les chut catalogue - Nov 06 2022

web l équipe du crd répond à toutes vos interrogations concernant les ressources documentaires de l école n hésitez pas à lui faire part de vos demandes par téléphone au 04 42 39 05 33 37 ou par mail à l adresse crd ensosp fr ou en utilisant le

**guide de techniques opérationnelles gto catalogue en ligne** - Jul 02 2022

web les matériels de sauvetages et de mises en sécurité les échelles à mains les moyens élévateurs aériens le lot de sauvetage et de protection contre les chutes les autres matériels de sauvetage la préparation des sauvetages et des mises en sécurité les principes fondamentaux

**lot de sauvetage et de protection contre les chutes lspcc** - Jun 13 2023

web apr 20 2016 questions éventuelles conclusion lot de sauvetage et de protection contre les chutes lspcc jsp 1 fondamentaux réflexions sur le lspcc entretien et contrôle pourquoi quelle garantie la corde les causes de réformes que faire si détériorée types de vérifications

**lot de sauvetage et de protection contre les chutes wikiwand** - Feb 09 2023

web en france le lot de sauvetage et de protection contre les chutes est un matériel qui est utilisé dans le domaine du secours il permet d évacuer une victime en danger ce matériel est lourd et résistant il permet de remplir rapidement les missions d

un sapeur pompier même dans des situations extrêmes avant l'intervention du grimpeur

lots de sauvetage et de protection contre les chutes youtube - Jun 01 2022

web bonjour à tous on se retrouve aujourd'hui pour les lots de sauvetage et de protection contre les chutes pompiers des bouches du Rhône le site pompi

**le lspcc des sapeurs pompiers buts et composition** - Aug 15 2023

web apr 18 2020 le lot de sauvetage et de protection contre les chutes lspcc est un équipement de protection individuelle epi de catégorie 3 qui fait parti des matériels les plus utilisés par les sapeurs pompiers quel est sa composition et ses buts

*je me mets à la gym spécial grossesse pour les nuls ebook* - Mar 08 2023

web sep 15 2016 un programme doux et sur mesure pour rester en forme pendant la grossesse et se préparer un accouchement serein je me mets à la gym spécial

*je me mets a la gym spa c cial grossesse pour les* - Nov 04 2022

web currently this je me mets a la gym spa c cial grossesse pour les as one of the most involved sellers here will agreed be along with the best options to review legislative

je me mets à la gym spécial grossesse pour les nuls by - Sep 02 2022

web sep 15 2023 je me mets à la gym spécial grossesse pour les nuls by floriane garcia gym a l'envers derbyville horse racing nation online racing indeed spokeo

*je me mets à la gym spécial grossesse pour les nuls ebook* - Dec 25 2021

web sep 15 2016 un programme doux et sur mesure pour rester en forme pendant la grossesse et se préparer un accouchement serein je me mets à la gym spécial

**je me mets a la gym spa c cial grossesse pour les pdf** - May 30 2022

web jun 27 2023 je me mets a la gym spa c cial grossesse pour les pdf recognizing the way ways to acquire this books je me mets a la gym spa c cial grossesse pour

je me mets a la gym spa c cial grossesse pour les pdf - Mar 28 2022

web je me mets a la gym spa c cial grossesse pour les pdf when people should go to the book stores search launch by shop it will enormously ease you to see guide je me

*je me mets a la gym spa c cial grossesse pour les* - Apr 28 2022

web je me mets a la gym spa c cial grossesse pour les what forms can do 1848 1857 energy conservation in refining and petrochemistry emile ou de j education

*je me mets a la gym spa c cial grossesse pour les pdf* - Jan 06 2023

web sep 13 2023 je me mets a la gym spa c cial grossesse pour les pdf getting the books je me mets a la gym spa c cial

grossesse pour les pdf now is not type of

[je me mets à la gym spécial grossesse pour les nuls apple books](#) - Feb 07 2023

web sep 15 2016 un programme doux et sur mesure pour rester en forme pendant la grossesse et se préparer un accouchement serein l idée reçue selon laquelle le sport

[je me mets a la gym spa c cial grossesse pour les pdf](#) - Aug 01 2022

web recognizing the pretentiousness ways to acquire this ebook je me mets a la gym spa c cial grossesse pour les pdf is additionally useful you have remained in right site to

**je me mets a la gym spa c cial grossesse pour les georges** - Jun 11 2023

web currently we extend the join to purchase and make bargains to download and install je me mets a la gym spa c cial grossesse pour les consequently simple memoirs of

**je me mets a la gym spa c cial grossesse pour les** - Dec 05 2022

web je me mets a la gym spa c cial grossesse pour les when people should go to the books stores search commencement by shop shelf by shelf and make bargains to

**je me mets à la gym spécial grossesse pour les nuls paperback** - Oct 03 2022

web je me mets à la gym spécial grossesse pour les nuls garcia floriane 9782754089142 books amazon ca

**free je me mets a la gym spa c cial grossesse pour les** - Apr 09 2023

web je me mets a la gym spa c cial grossesse pour les nova classic spa c cial francis bebey podcast episode 2021 imdb jul 23 2022 web nova classic spa c cial francis

**je me mets à la gym spécial grossesse pour les nuls** - Aug 13 2023

web je me mets à la gym spécial grossesse pour les nuls bookreader item preview 1 je débute 2 je progresse 3 je me relaxe couverture comprend des index access

[je me mets a la gym spa c cial grossesse pour les pdf](#) - Jan 26 2022

web je me mets a la gym spa c cial grossesse pour les pdf upload mita g ferguson 2 3 downloaded from live habitat com on october 19 2023 by mita g ferguson of our region

[je me mets à la gym spécial grossesse pour les nuls goodreads](#) - May 10 2023

web une grossesse qui se passe bien du début à la fin sans fatigue ni tracas physiques maux de dos problèmes circulatoires au autres c est possible grâce à un programme de gym

[je me mets a la gym spa c cial grossesse pour les public](#) - Feb 24 2022

web je me mets a la gym spa c cial grossesse pour les getting the books je me mets a la gym spa c cial grossesse pour les now is not type of inspiring means you could

**je me mets a la gym spa c cial grossesse pour les pdf** - Oct 15 2023

web je me mets a la gym spa c cial grossesse pour les pdf pages 2 9 je me mets a la gym spa c cial grossesse pour les pdf upload caliva q robertson 2 9 downloaded

*je me mets à la gym spécial grossesse pour les nuls* - Jul 12 2023

web sep 15 2016 je me mets à la gym spécial grossesse pour les nuls floriane garcia un programme doux et sur mesure pour rester en forme pendant la grossesse et se

je me mets a la gym spa c cial grossesse pour les - Sep 14 2023

web je me mets a la gym spa c cial grossesse pour les leisure pleasure and healing mar 24 2023 this book deals with leisure pleasure and healing at the spas in the

*je me mets a la gym spa c cial grossesse pour les pdf copy* - Jun 30 2022

web je me mets a la gym spa c cial grossesse pour les pdf pages 2 15 je me mets a la gym spa c cial grossesse pour les pdf upload suny x boyle 2 15 downloaded

**the big show the classic account of wwii aerial combat** - Jul 14 2023

web feb 8 2019 the big show the classic account of wwii aerial combat paperback february 8 2019 by pierre clostermann author 4 6 4 6 out of 5 stars 4 505 ratings

**the big show the classic account of wwii aerial combat** - Sep 04 2022

web mar 1 2021 the big show the classic account of wwii aerial combat audio cd unabridged march 1 2021 by pierre clostermann author 1 643 ratings 4 6 on goodreads

*the big show the classic account of wwii aerial combat* - Jan 28 2022

web the statement as without difficulty as acuteness of this the big show the classic account of wwii aerial c can be taken as well as picked to act how not to be wrong jordan

*the big show the classic account of wwii aerial combat* - Apr 11 2023

web huzaima hamid reviewed in the united kingdom on 30 july 2022 called the greatest book of aerial combat ever it details the fighter pilot s view from 1943 until 1944 when

**amazon com au customer reviews the big show the classic** - Jun 01 2022

web dec 8 2020 listen free to big show the classic account of wwii aerial combat audiobook by pierre clostermann with a 30 day free trial stream and download

*the big show the classic account of wwii aerial combat* - Jul 02 2022

web aug 11 2022 find helpful customer reviews and review ratings for the big show the classic account of wwii aerial combat pierre clostermann s air war collection book

**the big show the classic account of wwii aerial combat** - Mar 10 2023

web the big show the classic account of wwii aerial combat audible audiobook unabridged pierre clostermann author julian elfer narrator 1 more 1 620 ratings

**the big show the classic account of wwii aerial c preston b** - Dec 27 2021

web mar 1 2021 amazon com the big show the classic account of wwii aerial combat 9798200186532 pierre clostermann books

**the big show the classic account of wwii aerial combat** - Apr 30 2022

web amazon in buy the big show the classic account of wwii aerial combat book online at best prices in india on amazon in read the big show the classic account of

the big show the classic account of wwii aerial combat - Nov 06 2022

web a frenchman who flew with the raf he survived over 420 operational sorties shooting down scores of enemy aircraft while friends and comrades lost their lives in the deadly

**the big show the classic account of wwii aerial combat** - Nov 25 2021

the big show the classic account of wwii aerial combat - Jan 08 2023

web the big show the classic account of wwii aerial combat pierre clostermann s air war collection book 1 published december 8th 2020 by tantor audio audible audio

**the big show the classic account of wwii aerial** - Feb 09 2023

web pierre clostermann narrator julian elfer audible release date 8 dec 2020 language english publisher tantor audio asin b08pjf13yb version unabridged program type

*the big show the classic account of wwii aerial combat* - Aug 15 2023

web feb 21 2019 the big show the classic account of wwii aerial combat the big show is as close as you ll ever get to fighting your life from the

*the big show the classic account of wwii aerial combat* - Mar 30 2022

web the big show the classic account of wwii aerial combat audible audiobook unabridged pierre clostermann author julian elfer narrator tantor audio

editions of the big show the classic account of wwii aerial - Dec 07 2022

web the big show book read 181 reviews from the world s largest community for readers the big show is as close as you ll ever get to fighting for your l

**the big show the classic account of wwii aerial** - Jun 13 2023

web feb 14 2019 the big show the classic account of wwii aerial combat pierre clostermann s air war collection book 1  
kindle edition by clostermann pierre

the big show the classic account of wwii aerial combat - May 12 2023

web 4 57 3 146 ratings203 reviews pierre clostermann dfc was one of the outstanding allied aces of the second world war a  
frenchman who flew with the raf he survived over

*the big show the classic account of wwii aerial combat* - Oct 05 2022

web dec 8 2020 the big show his extraordinary account of the war has been described as the greatest pilot s memoir of wwii

the big show the classic account of wwii aerial combat - Feb 26 2022

web the big show the classic account of wwii aerial combat clostermann pierre amazon de bücher zum hauptinhalt wechseln  
de hallo lieferadresse wählen alle

**the big show the classic account of wwii aerial combat** - Aug 03 2022

web the big show the classic account of wwii aerial combat pierre clostermann s air war collection book 1 ebook clostermann  
pierre amazon ca kindle store