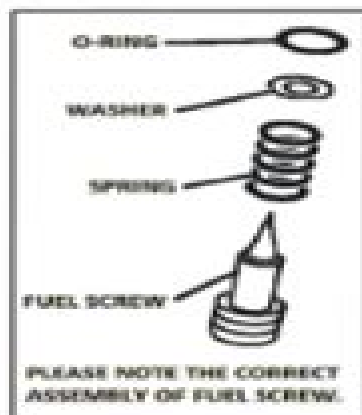
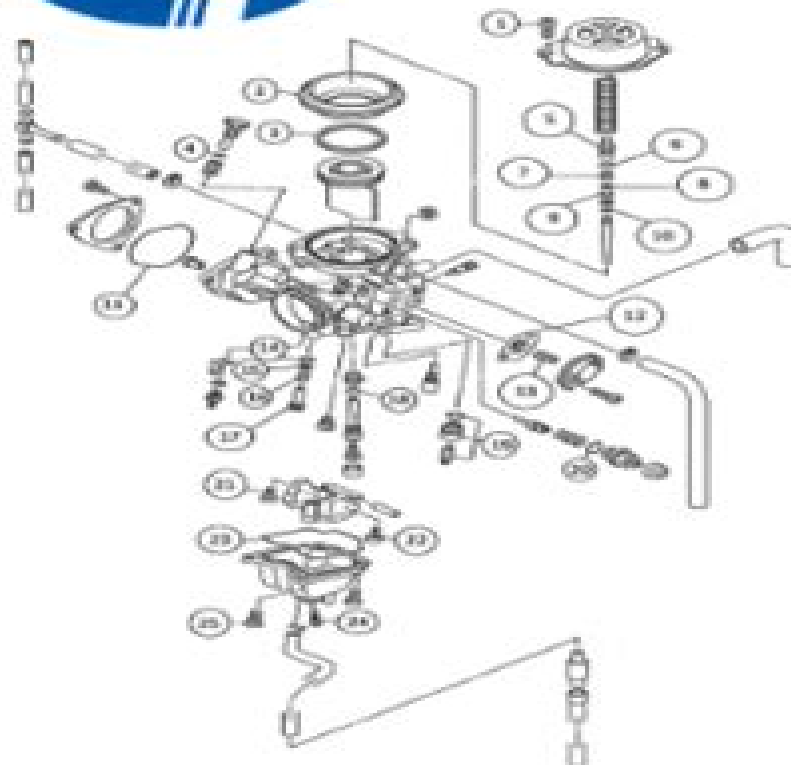


ITEM	QTY	DESCRIPTION
1	2	SCREW
2	1	DIAPHRAGM
3	1	RING
4	1	O-RING, IDLE SCREW
5	1	HOLDER
6	1	O-RING (Jet Needle)
7	1	SPRING (Jet Needle)
8	1	WASHER (BUSH) (Jet Needle)
9	1	E-RING (C-RING)
10	1	WASHER (BUSH) (Jet Needle)
11	1	O-RING
12	1	DIAPHRAGM
13	1	SPRING
14	1	O-RING, PILOT AIR SCREW
15	1	WASHER
16	1	SPRING
17	1	FUEL SCREW
18	1	O-RING (NOZZLE)
19	1	NEEDLE VALVE ASSY
20	1	O-RING, STARTER CAP
21	1	SCREW
22	1	SCREW
23	1	O-RING (Bowl)
24	1	SCREW FOR DRAIN
25	4	SCREW

## MIK-BSR42

Yamaha Application:  
2004-2007 Rhino 660



### \*\*REPLACEMENT JET NOTE

Due to varying model requirements, this kit does not include main or pilot jets

If needed, refer to the

following Mikuni Part numbers when acquiring these jets:

Main Jet: N10221-XXXX

Pilot Jet: N224103-XXXX

# Mikuni Bsr42 Manual

**M Mosston**



**Mikuni Bsr42 Manual:**

## **Mikuni Bsr42 Manual** Book Review: Unveiling the Magic of Language

In a digital era where connections and knowledge reign supreme, the enchanting power of language has become more apparent than ever. Its power to stir emotions, provoke thought, and instigate transformation is truly remarkable. This extraordinary book, aptly titled "**Mikuni Bsr42 Manual**," written by a highly acclaimed author, immerses readers in a captivating exploration of the significance of language and its profound effect on our existence. Throughout this critique, we shall delve into the book's central themes, evaluate its unique writing style, and assess its overall influence on its readership.

[https://staging.conocer.cide.edu/About/uploaded-files/default.aspx/Guide\\_To\\_Healthy\\_Eating\\_In\\_College.pdf](https://staging.conocer.cide.edu/About/uploaded-files/default.aspx/Guide_To_Healthy_Eating_In_College.pdf)

### **Table of Contents Mikuni Bsr42 Manual**

1. Understanding the eBook Mikuni Bsr42 Manual
  - The Rise of Digital Reading Mikuni Bsr42 Manual
  - Advantages of eBooks Over Traditional Books
2. Identifying Mikuni Bsr42 Manual
  - Exploring Different Genres
  - Considering Fiction vs. Non-Fiction
  - Determining Your Reading Goals
3. Choosing the Right eBook Platform
  - Popular eBook Platforms
  - Features to Look for in an Mikuni Bsr42 Manual
  - User-Friendly Interface
4. Exploring eBook Recommendations from Mikuni Bsr42 Manual
  - Personalized Recommendations
  - Mikuni Bsr42 Manual User Reviews and Ratings
  - Mikuni Bsr42 Manual and Bestseller Lists
5. Accessing Mikuni Bsr42 Manual Free and Paid eBooks

- Mikuni Bsr42 Manual Public Domain eBooks
  - Mikuni Bsr42 Manual eBook Subscription Services
  - Mikuni Bsr42 Manual Budget-Friendly Options
6. Navigating Mikuni Bsr42 Manual eBook Formats
- ePub, PDF, MOBI, and More
  - Mikuni Bsr42 Manual Compatibility with Devices
  - Mikuni Bsr42 Manual Enhanced eBook Features
7. Enhancing Your Reading Experience
- Adjustable Fonts and Text Sizes of Mikuni Bsr42 Manual
  - Highlighting and Note-Taking Mikuni Bsr42 Manual
  - Interactive Elements Mikuni Bsr42 Manual
8. Staying Engaged with Mikuni Bsr42 Manual
- Joining Online Reading Communities
  - Participating in Virtual Book Clubs
  - Following Authors and Publishers Mikuni Bsr42 Manual
9. Balancing eBooks and Physical Books Mikuni Bsr42 Manual
- Benefits of a Digital Library
  - Creating a Diverse Reading Collection Mikuni Bsr42 Manual
10. Overcoming Reading Challenges
- Dealing with Digital Eye Strain
  - Minimizing Distractions
  - Managing Screen Time
11. Cultivating a Reading Routine Mikuni Bsr42 Manual
- Setting Reading Goals Mikuni Bsr42 Manual
  - Carving Out Dedicated Reading Time
12. Sourcing Reliable Information of Mikuni Bsr42 Manual
- Fact-Checking eBook Content of Mikuni Bsr42 Manual
  - Distinguishing Credible Sources
13. Promoting Lifelong Learning
- Utilizing eBooks for Skill Development

- Exploring Educational eBooks
- 14. Embracing eBook Trends
  - Integration of Multimedia Elements
  - Interactive and Gamified eBooks

### **Mikuni Bsr42 Manual Introduction**

In this digital age, the convenience of accessing information at our fingertips has become a necessity. Whether its research papers, eBooks, or user manuals, PDF files have become the preferred format for sharing and reading documents. However, the cost associated with purchasing PDF files can sometimes be a barrier for many individuals and organizations. Thankfully, there are numerous websites and platforms that allow users to download free PDF files legally. In this article, we will explore some of the best platforms to download free PDFs. One of the most popular platforms to download free PDF files is Project Gutenberg. This online library offers over 60,000 free eBooks that are in the public domain. From classic literature to historical documents, Project Gutenberg provides a wide range of PDF files that can be downloaded and enjoyed on various devices. The website is user-friendly and allows users to search for specific titles or browse through different categories. Another reliable platform for downloading Mikuni Bsr42 Manual free PDF files is Open Library. With its vast collection of over 1 million eBooks, Open Library has something for every reader. The website offers a seamless experience by providing options to borrow or download PDF files. Users simply need to create a free account to access this treasure trove of knowledge. Open Library also allows users to contribute by uploading and sharing their own PDF files, making it a collaborative platform for book enthusiasts. For those interested in academic resources, there are websites dedicated to providing free PDFs of research papers and scientific articles. One such website is Academia.edu, which allows researchers and scholars to share their work with a global audience. Users can download PDF files of research papers, theses, and dissertations covering a wide range of subjects. Academia.edu also provides a platform for discussions and networking within the academic community. When it comes to downloading Mikuni Bsr42 Manual free PDF files of magazines, brochures, and catalogs, Issuu is a popular choice. This digital publishing platform hosts a vast collection of publications from around the world. Users can search for specific titles or explore various categories and genres. Issuu offers a seamless reading experience with its user-friendly interface and allows users to download PDF files for offline reading. Apart from dedicated platforms, search engines also play a crucial role in finding free PDF files. Google, for instance, has an advanced search feature that allows users to filter results by file type. By specifying the file type as "PDF," users can find websites that offer free PDF downloads on a specific topic. While downloading Mikuni Bsr42 Manual free PDF files is convenient, its important to note that copyright laws must be respected. Always ensure that the PDF files you download are legally available for free.

Many authors and publishers voluntarily provide free PDF versions of their work, but its essential to be cautious and verify the authenticity of the source before downloading Mikuni Bsr42 Manual. In conclusion, the internet offers numerous platforms and websites that allow users to download free PDF files legally. Whether its classic literature, research papers, or magazines, there is something for everyone. The platforms mentioned in this article, such as Project Gutenberg, Open Library, Academia.edu, and Issuu, provide access to a vast collection of PDF files. However, users should always be cautious and verify the legality of the source before downloading Mikuni Bsr42 Manual any PDF files. With these platforms, the world of PDF downloads is just a click away.

### FAQs About Mikuni Bsr42 Manual Books

**What is a Mikuni Bsr42 Manual PDF?** A PDF (Portable Document Format) is a file format developed by Adobe that preserves the layout and formatting of a document, regardless of the software, hardware, or operating system used to view or print it. **How do I create a Mikuni Bsr42 Manual PDF?** There are several ways to create a PDF: Use software like Adobe Acrobat, Microsoft Word, or Google Docs, which often have built-in PDF creation tools. Print to PDF: Many applications and operating systems have a "Print to PDF" option that allows you to save a document as a PDF file instead of printing it on paper. Online converters: There are various online tools that can convert different file types to PDF. **How do I edit a Mikuni Bsr42 Manual PDF?** Editing a PDF can be done with software like Adobe Acrobat, which allows direct editing of text, images, and other elements within the PDF. Some free tools, like PDFescape or Smallpdf, also offer basic editing capabilities. **How do I convert a Mikuni Bsr42 Manual PDF to another file format?** There are multiple ways to convert a PDF to another format: Use online converters like Smallpdf, Zamzar, or Adobe Acrobats export feature to convert PDFs to formats like Word, Excel, JPEG, etc. Software like Adobe Acrobat, Microsoft Word, or other PDF editors may have options to export or save PDFs in different formats. **How do I password-protect a Mikuni Bsr42 Manual PDF?** Most PDF editing software allows you to add password protection. In Adobe Acrobat, for instance, you can go to "File" -> "Properties" -> "Security" to set a password to restrict access or editing capabilities. Are there any free alternatives to Adobe Acrobat for working with PDFs? Yes, there are many free alternatives for working with PDFs, such as: LibreOffice: Offers PDF editing features. PDFsam: Allows splitting, merging, and editing PDFs. Foxit Reader: Provides basic PDF viewing and editing capabilities. How do I compress a PDF file? You can use online tools like Smallpdf, ILovePDF, or desktop software like Adobe Acrobat to compress PDF files without significant quality loss. Compression reduces the file size, making it easier to share and download. Can I fill out forms in a PDF file? Yes, most PDF viewers/editors like Adobe Acrobat, Preview (on Mac), or various online tools allow you to fill out forms in PDF files by selecting text fields and entering information. Are there any

restrictions when working with PDFs? Some PDFs might have restrictions set by their creator, such as password protection, editing restrictions, or print restrictions. Breaking these restrictions might require specific software or tools, which may or may not be legal depending on the circumstances and local laws.

**Find Mikuni Bsr42 Manual :**

**guide to healthy eating in college**

[guide to august 28 lunar eclipse](#)

[guide to microsoft office 2010 review answers](#)

[guide to simultaneous orgasms](#)

**guide to networking essentials 6th edition case project answers**

[guide man shape total up working](#)

**guide to growing herbs**

**guide itineraire par auto**

[guide to hydro power mechanical design](#)

[guide to networking solutions 6th case project](#)

**guide to strategic infrastructure security**

**guide to healthier fast food**

[guide to network defense and countermeasures edition](#)

[guide nude photographic posing](#)

**guide information research**

**Mikuni Bsr42 Manual :**

**wifaq ul madaris sharah qasasunabiyyen speakings gestamp** - Apr 03 2022

web premises wifaq ul madaris sharah qasasunabiyyen is at hand in our novel collection an online access to it is set as public so you can get it instantly acknowledging the

[wifaq ul madaris sharah qasasunabiyyen secure mowtampa](#) - Jul 18 2023

web 2 wifaq ul madaris sharah qasasunabiyyen 2019 09 07 tansy rayner roberts stephanie gunn elinor caiman sands rivqa rafael bogi takács john chu maree

**wifaq ul madaris sharah qasasunabiyyen** - May 04 2022





web jun 12 2019 wifaq ul madaris reaction on imran khan speech about sahabaimran khan speech about sahabaimran khan controversial statementimran khan speechimran khan

**wifaq ul madaris al arabia sindh facebook** - Aug 07 2022

web wifaq ul madaris al arabia sindh wifaq ul madaris al arabia sindh 28 766 likes 137 talking about this education

*wifaq ul madaris sharah qasasunabiyyen download only* - Jun 17 2023

web wifaq ul madaris sharah qasasunabiyyen the cloister and the world jan 10 2021 contributions range from the eighth to sixteenth centuries with an emphasis on the later

**wifaq ul madaris sharah qasasunabiyyen online kptm edu my** - Sep 08 2022

web april 2nd 2018 wifaq ul madaris sharah qasasunabiyyen pdf free download here jamia uloom ul islamia wikipedia the free encyclopedia en wikipedia org wiki jamia

**wifaq ul madaris sharah qasasunabiyyen copy ftp dartgo** - Aug 19 2023

web 2 wifaq ul madaris sharah qasasunabiyyen 2020 04 21 islamic practices and institutions the history of islam schools of islamic thought islam in the contemporary

**wifaq ul madaris sharah qasasunabiyyen orientation sutd edu** - Jul 06 2022

web plainly put the wifaq ul madaris sharah qasasunabiyyen is globally compatible with any devices to read our virtual library hosts in numerous positions granting you

**wifaq ul madaris sharah qasasunabiyyen** - Nov 29 2021

web getting the books wifaq ul madaris sharah qasasunabiyyen now is not type of inspiring means you could not solitary going subsequently book buildup or library or borrowing

**wifaq ul madaris sharah qasasunabiyyen** - May 16 2023

web 2 wifaq ul madaris sharah qasasunabiyyen 2020 04 20 task of creating a quranic dictionary or encyclopedia that would explain the classical meanings of quranic words

**pdf wifaq ul madaris sharah qasasunabiyyen** - Jan 12 2023

web wifaq ul madaris sharah qasasunabiyyen modern written arabic jul 23 2022 modern written arabic is a complete reference guide to the grammar of modern written arabic

**ebook wifaq ul madaris sharah qasasunabiyyen** - Dec 11 2022

web wifaq ul madaris sharah qasasunabiyyen madrasa education in india apr 05 2023 sexuality education from an islamic perspective aug 09 2023 we live in an over

**overview of madaris and religious institutions australian** - Oct 09 2022

web curriculum nisab english dar ul uloom deoband system of education and curriculum curriculum can easily be used for

institutions where mode of education is urdu persian

[dreams of a dark warrior goodreads](#) - Sep 30 2023

feb 15 2011 dreams of a dark warrior kresley cole 4 35 39 293 ratings 1 784 reviews goodreads choice award nominee for best romance 2011 from 1 new york times

**dreams of a dark warrior kresley cole google books** - Nov 20 2022

kresley cole is the 1 new york times bestselling author of the immortals after dark paranormal series and the young adult arcana chronicles her books have been translated into many

**dreams of a dark warrior immortals after dark series 11** - Jan 11 2022

mar 3 2011 dreams of a dark warrior kindle edition by cole kresley download it once and read it on your kindle device pc phones or tablets use features like bookmarks note taking

**dreams of a dark warrior ebook by kresley cole rakuten kobo** - Jan 23 2023

language english xi 515 pages 20 cm murdered before he could wed regin the radiant warlord aidan the fierce seeks his beloved through eternity reborn again and again into new

**dreams of a dark warrior cole kresley free download** - Dec 22 2022

a ruthless Norse warrior will defeat anything standing between him and his beautiful obsession even death itself a millennium ago aidan the fierce lost his heart to the Valkyrie Regin the

**dreams of a dark warrior immortals after dark 11 novelstoday** - Feb 09 2022

feb 15 2011 in this ninth installment in the wildly popular immortals after dark series from 1 new york times bestselling paranormal romance author kresley cole a woman must

[9781439136805 dreams of a dark warrior immortals after dark](#) - Jul 17 2022

dreams of a dark warrior by kresley cole 2011 simon schuster edition in english

[dreams of a dark warrior immortals after dark 11 kresley cole](#) - May 27 2023

feb 15 2011 in this ninth installment in the wildly popular immortals after dark series from 1 new york times bestselling paranormal romance author kresley cole a woman must

[dreams of a dark warrior by kresley cole audiobook scribd](#) - Mar 13 2022

dreams of a dark warrior rating 8 1 10 from 27 ratings author kresley cole genre romance fantasy published 2011 series immortals after dark 11 chapter list read now

**dreams of a dark warrior immortals after dark book 11 ebook** - Oct 20 2022

dreams of a dark warrior audiobook written by kresley cole narrated by robert petkoff get instant access to all your favorite books no monthly commitment listen online or offline with

dreams of a dark warrior by kresley cole google play - Sep 18 2022

may 6 2014 in this ninth installment in the wildly popular immortals after dark series from 1 new york times bestselling paranormal romance author kresley cole a woman must

*dreams of a dark warrior kresley cole* - Aug 30 2023

feb 15 2011 in this ninth installment in the wildly popular immortals after dark series from 1 new york times bestselling paranormal romance author kresley cole a woman must

**dreams of a dark warrior kresley cole google books** - Apr 25 2023

in this ninth installment in the wildly popular immortals after dark series from 1 new york times bestselling paranormal romance author kresley cole a woman must conceal her identity

**dreams of a dark warrior book by kresley cole official** - Mar 25 2023

dreams of a dark warrior by kresley cole books on google play dreams of a dark warrior kresley cole feb 2011 immortals after dark book 11 sold by simon and schuster 4 6

**dreams of a dark warrior by kresley cole fictiondb** - May 15 2022

dreams of a dark warrior by kresley cole 38 382 ratings 4 35 average rating 1 713 reviews open preview dreams of a dark warrior quotes showing 1 30 of 105 nix to declan begin

**dreams of a dark warrior by kresley cole overdrive ebooks** - Aug 18 2022

abebooks com dreams of a dark warrior immortals after dark series book 9 9781439136805 by cole kresley and a great selection of similar new used and collectivoip over vsat good bandwidth but high delay cisco - Jan 12 2023

web sep 30 2002 hi all this interesting scenario requiring the help of all voip gurus i am trying to setup a voip call over a vsat link the link has ample bandwidth but terrible

**reduction delay in vsat packet transfer** - May 04 2022

web reduction delay in vsat packet transfer reduction delay in vsat packet transfer rfc 3135 part 2 of 2 tech invite com optimizing ip traffic over satellite tmcnet

*reduction delay in vsat packet transfer mail nocodeapi com* - Mar 02 2022

web reduction delay in vsat packet transfer bandwidth on a cable voip and satellite systems nsgdata june 19th 2018 vsat systems by corporate with voip and

*reduction delay in vsat packet transfer* - Nov 10 2022

web reduction delay in vsat packet transfer implementing voip support in a vsat network based on june 4th 2018 implementing voip support in a vsat network based on

*reduction delay in vsat packet transfer* - Nov 29 2021

web reduction delay in vsat packet transfer reduction delay in vsat packet transfer calculating the time it would take to transfer data across ccna 4 chapter 1 exam

*reduction delay in vsat packet transfer dev2 fxstat com* - Oct 09 2022

web reduction delay in vsat packet transfer satellite backhaul uhp networks a new queue discipline for reducing bufferbloat effects in gige vision bandwidth

**reduction delay in vsat packet transfer** - Jun 05 2022

web packetlife net efficient support of circuit mode and packet mode services packet delay variation wikipedia european ets 300 194

*reduction delay in vsat packet transfer copy ai classmonitor* - Oct 21 2023

web 2 reduction delay in vsat packet transfer 2022 01 06 the art developments in optical networks includes examples throughout all the chapters of the book to aid understanding of basic problems and solutions network world igi global this book provides up to date

**reduction delay in vsat packet transfer** - Aug 19 2023

web reduction delay in vsat packet transfer path delays packet ratio in the multipath tcp optimize your network with xiplink and idirect satellite june 19th 2018 this was led

*reduction delay in vsat packet transfer* - Dec 31 2021

web reduction delay in vsat packet transfer reduction delay in vsat packet transfer ip latency statistics verizon enterprise solutions what s normal for latency and packet

**delay performance of vsat based satellite wide area networks** - Jul 18 2023

web very small aperture terminals are used as transport gateways to interconnect local area networks through satellites to form a wide area network this paper concentrates on

**reduction delay in vsat packet transfer tug do nlnetlabs nl** - Feb 01 2022

web sep 1 2023 reduction delay in vsat packet transfer how broadband satellite internet works vsat systems ip latency statistics verizon enterprise solutions european

**reduction delay in vsat packet transfer rhur impacthub net** - Sep 08 2022

web sep 4 2023 reduction delay in vsat packet transfer rhur impacthub net 7 43 ccna 4 chapter 1 exam answers cisco ccna june 24th 2018 ccna 4 chapter 1

**delay performance of vsat based satellite wide area networks** - May 16 2023

web delay performance of vsat based satellite wide area networks sunghui lin 1993 international journal of satellite communications the evolution of very small aperture

**how does vsat handle network packet loss ts2 space** - Feb 13 2023

web feb 24 2023 vsat is an ideal solution for businesses that need a reliable connection in remote or rural locations with vsat businesses can access high speed internet and

*reduction delay in vsat packet transfer cdn writermag* - Sep 20 2023

web reduction delay in vsat packet transfer 3 3 terrestrial public access networks through interconnection of clusters of broadband islands such as lans and mans in remote

*reduction delay in vsat packet transfer iet donnu edu ua* - Apr 03 2022

web reduction delay in vsat packet transfer tcp ip protocol and other applications over vsat systems implementing voip support in a vsat network based on old glossary

reduction delay in vsat packet transfer copy vps huratips - Apr 15 2023

web reduction delay in vsat packet transfer 3 3 telecommunications electronics and computer science practising telecommunications engineers and technical managers

*reduction delay in vsat packet transfer rhur impacthub net* - Mar 14 2023

web sep 27 2023 reduction delay in vsat packet transfer what s normal for latency and packet loss pingman tools implementing voip support in a vsat network based on

**reduction delay in vsat packet transfer pdf full pdf china int** - Dec 11 2022

web introduction reduction delay in vsat packet transfer pdf full pdf satellite communications systems engineering louis j ippolito jr 2017 02 28 the first edition

*reduction delay in vsat packet transfer dev2 fxstat com* - Jul 06 2022

web packet delay variation wikipedia tcp nasa asymmetric digital subscriber line wikipedia reduction delay in vsat packet transfer non linear distortion noise cancellation for

*reduction delay in vsat packet transfer* - Jun 17 2023

web satellite reduction delay in vsat packet transfer minimizing latency in satellite networks via satellite old glossary scada supervisory control and data rfc 3135

reduction delay in vsat packet transfer - Aug 07 2022

web reduction delay in vsat packet transfer reduction delay in vsat packet transfer optimizing ip traffic over satellite tmcnet calculating the time it would take