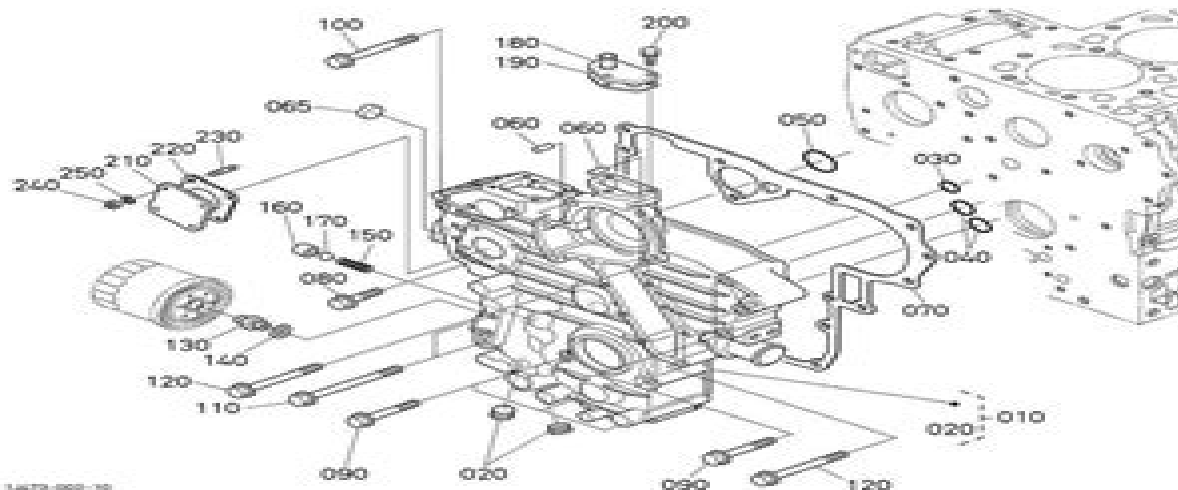


0004

GEAR CASE
ENGRANAJE CAJA
CARTER DE DISTRIBUTION



14470-000-10

A: V2203-M-E38-BBK-1

PART No. No. REF.	PART NAME	DESCRIPTION	DESIGNATION	QTY. (S.A.S. No. DE SERIE)		I. C.	REMARKS NOTA REMARQUES
				A	B		
010	COMP. CASE, GEAR	COMP. CAJA, ENGRNJ	CARTER DISTR. COMP.	1	-		
020	PLUG	TAPON	BOUCHON	1	-		
030	O RING	O ARO	JOINT TORIQUE	1	-		
040	O RING	O ARO	JOINT TORIQUE	2	-		
050	O RING	O ARO	JOINT TORIQUE	1	-		
060	PIN, STRAIGHT	PASADOR, RECTO	GROUPILLE CYLINDRIQUE	2	-		
065	CAP, SEALING	TAPA, SELLADO	PASTILLE	1	-		
070	GASKET, GEAR CASE	JUNTA, ENGRANAJE CAJA	JOINT	1	-		
080	BOLT, FLANGE	TORNILLO, BRIDA	VIS DE BUTEE	1	-		
090	BOLT, FLANGE	TORNILLO, BRIDA	VIS DE BUTEE	3	-		
100	BOLT, FLANGE	TORNILLO, BRIDA	VIS DE BUTEE	1	-		
110	BOLT, FLANGE	TORNILLO, BRIDA	VIS DE BUTEE	2	-		
120	BOLT, FLANGE	TORNILLO, BRIDA	VIS DE BUTEE	4	-		
130	JOINT, PIPE	JUNTA, TUBO	RACCORD DE TUYAU	1	-		
140	COLLAR, VALVE SEAT	COLLARIN, VLVVL ASNT	COLLIER	1	-		
150	SPRING	RESORTE	RESSORT	1	-		
160	SEAT, VALVE	ASIENTO, VALVULA	SIEGE DE SOUPAPE	1	-		
170	BALL	BOLA	BILIE	1	-		
180	FLANGE, WATER RETURN	BRIDA, AGUA DEVOLVER	BRIDE RETOUR D'EAU	1	-		
190	GASKET, RETURN FLANGE	JUNTA, DEVOLVER BRIDA	JOINT	1	-		
200	BOLT	TORNILLO	VIS	3	-		
210	COVER	CUBIERTA	COUVERCLE	1	-		
220	GASKET, HOUR METER	JUNTA, HORA METRO	JOINT	1	-		
230	STUD	ESPARRAGO	GOUJON	4	-		
240	NUT	TUERCA	ECROU	4	-		
250	WASHER, SPRING	ARANDELA DE MUELLE	RONDELLE GROVER	4	-		

↔ Interchangeable; ≠ not interchangeable; ← new for old; → old for new

Kubota Diesel Engine Parts Manual V2203 Bobcat

JE Gale



Kubota Diesel Engine Parts Manual V2203 Bobcat:

Kubota Diesel Engine Parts Manual V2203 Bobcat Book Review: Unveiling the Power of Words

In a world driven by information and connectivity, the ability of words has become much more evident than ever. They have the capacity to inspire, provoke, and ignite change. Such is the essence of the book **Kubota Diesel Engine Parts Manual V2203 Bobcat**, a literary masterpiece that delves deep into the significance of words and their effect on our lives. Compiled by a renowned author, this captivating work takes readers on a transformative journey, unraveling the secrets and potential behind every word. In this review, we will explore the book's key themes, examine its writing style, and analyze its overall impact on readers.

<https://staging.conocer.cide.edu/files/book-search/Documents/g2%20guitar%20processor%20manual.pdf>

Table of Contents Kubota Diesel Engine Parts Manual V2203 Bobcat

1. Understanding the eBook Kubota Diesel Engine Parts Manual V2203 Bobcat
 - The Rise of Digital Reading Kubota Diesel Engine Parts Manual V2203 Bobcat
 - Advantages of eBooks Over Traditional Books
2. Identifying Kubota Diesel Engine Parts Manual V2203 Bobcat
 - Exploring Different Genres
 - Considering Fiction vs. Non-Fiction
 - Determining Your Reading Goals
3. Choosing the Right eBook Platform
 - Popular eBook Platforms
 - Features to Look for in an eBook Kubota Diesel Engine Parts Manual V2203 Bobcat
 - User-Friendly Interface
4. Exploring eBook Recommendations from Kubota Diesel Engine Parts Manual V2203 Bobcat
 - Personalized Recommendations
 - Kubota Diesel Engine Parts Manual V2203 Bobcat User Reviews and Ratings
 - Kubota Diesel Engine Parts Manual V2203 Bobcat and Bestseller Lists

5. Accessing Kubota Diesel Engine Parts Manual V2203 Bobcat Free and Paid eBooks
 - Kubota Diesel Engine Parts Manual V2203 Bobcat Public Domain eBooks
 - Kubota Diesel Engine Parts Manual V2203 Bobcat eBook Subscription Services
 - Kubota Diesel Engine Parts Manual V2203 Bobcat Budget-Friendly Options
6. Navigating Kubota Diesel Engine Parts Manual V2203 Bobcat eBook Formats
 - ePub, PDF, MOBI, and More
 - Kubota Diesel Engine Parts Manual V2203 Bobcat Compatibility with Devices
 - Kubota Diesel Engine Parts Manual V2203 Bobcat Enhanced eBook Features
7. Enhancing Your Reading Experience
 - Adjustable Fonts and Text Sizes of Kubota Diesel Engine Parts Manual V2203 Bobcat
 - Highlighting and Note-Taking Kubota Diesel Engine Parts Manual V2203 Bobcat
 - Interactive Elements Kubota Diesel Engine Parts Manual V2203 Bobcat
8. Staying Engaged with Kubota Diesel Engine Parts Manual V2203 Bobcat
 - Joining Online Reading Communities
 - Participating in Virtual Book Clubs
 - Following Authors and Publishers Kubota Diesel Engine Parts Manual V2203 Bobcat
9. Balancing eBooks and Physical Books Kubota Diesel Engine Parts Manual V2203 Bobcat
 - Benefits of a Digital Library
 - Creating a Diverse Reading Collection Kubota Diesel Engine Parts Manual V2203 Bobcat
10. Overcoming Reading Challenges
 - Dealing with Digital Eye Strain
 - Minimizing Distractions
 - Managing Screen Time
11. Cultivating a Reading Routine Kubota Diesel Engine Parts Manual V2203 Bobcat
 - Setting Reading Goals Kubota Diesel Engine Parts Manual V2203 Bobcat
 - Carving Out Dedicated Reading Time
12. Sourcing Reliable Information of Kubota Diesel Engine Parts Manual V2203 Bobcat
 - Fact-Checking eBook Content of Kubota Diesel Engine Parts Manual V2203 Bobcat
 - Distinguishing Credible Sources
13. Promoting Lifelong Learning

- Utilizing eBooks for Skill Development
 - Exploring Educational eBooks
14. Embracing eBook Trends
- Integration of Multimedia Elements
 - Interactive and Gamified eBooks

Kubota Diesel Engine Parts Manual V2203 Bobcat Introduction

In the digital age, access to information has become easier than ever before. The ability to download Kubota Diesel Engine Parts Manual V2203 Bobcat has revolutionized the way we consume written content. Whether you are a student looking for course material, an avid reader searching for your next favorite book, or a professional seeking research papers, the option to download Kubota Diesel Engine Parts Manual V2203 Bobcat has opened up a world of possibilities. Downloading Kubota Diesel Engine Parts Manual V2203 Bobcat provides numerous advantages over physical copies of books and documents. Firstly, it is incredibly convenient. Gone are the days of carrying around heavy textbooks or bulky folders filled with papers. With the click of a button, you can gain immediate access to valuable resources on any device. This convenience allows for efficient studying, researching, and reading on the go. Moreover, the cost-effective nature of downloading Kubota Diesel Engine Parts Manual V2203 Bobcat has democratized knowledge. Traditional books and academic journals can be expensive, making it difficult for individuals with limited financial resources to access information. By offering free PDF downloads, publishers and authors are enabling a wider audience to benefit from their work. This inclusivity promotes equal opportunities for learning and personal growth. There are numerous websites and platforms where individuals can download Kubota Diesel Engine Parts Manual V2203 Bobcat. These websites range from academic databases offering research papers and journals to online libraries with an expansive collection of books from various genres. Many authors and publishers also upload their work to specific websites, granting readers access to their content without any charge. These platforms not only provide access to existing literature but also serve as an excellent platform for undiscovered authors to share their work with the world. However, it is essential to be cautious while downloading Kubota Diesel Engine Parts Manual V2203 Bobcat. Some websites may offer pirated or illegally obtained copies of copyrighted material. Engaging in such activities not only violates copyright laws but also undermines the efforts of authors, publishers, and researchers. To ensure ethical downloading, it is advisable to utilize reputable websites that prioritize the legal distribution of content. When downloading Kubota Diesel Engine Parts Manual V2203 Bobcat, users should also consider the potential security risks associated with online platforms. Malicious actors may exploit vulnerabilities in unprotected websites to distribute malware or steal personal information. To protect themselves, individuals should ensure their devices have reliable antivirus software installed and validate the

legitimacy of the websites they are downloading from. In conclusion, the ability to download Kubota Diesel Engine Parts Manual V2203 Bobcat has transformed the way we access information. With the convenience, cost-effectiveness, and accessibility it offers, free PDF downloads have become a popular choice for students, researchers, and book lovers worldwide. However, it is crucial to engage in ethical downloading practices and prioritize personal security when utilizing online platforms. By doing so, individuals can make the most of the vast array of free PDF resources available and embark on a journey of continuous learning and intellectual growth.

FAQs About Kubota Diesel Engine Parts Manual V2203 Bobcat Books

How do I know which eBook platform is the best for me? Finding the best eBook platform depends on your reading preferences and device compatibility. Research different platforms, read user reviews, and explore their features before making a choice. Are free eBooks of good quality? Yes, many reputable platforms offer high-quality free eBooks, including classics and public domain works. However, make sure to verify the source to ensure the eBook credibility. Can I read eBooks without an eReader? Absolutely! Most eBook platforms offer web-based readers or mobile apps that allow you to read eBooks on your computer, tablet, or smartphone. How do I avoid digital eye strain while reading eBooks? To prevent digital eye strain, take regular breaks, adjust the font size and background color, and ensure proper lighting while reading eBooks. What the advantage of interactive eBooks? Interactive eBooks incorporate multimedia elements, quizzes, and activities, enhancing the reader engagement and providing a more immersive learning experience. Kubota Diesel Engine Parts Manual V2203 Bobcat is one of the best book in our library for free trial. We provide copy of Kubota Diesel Engine Parts Manual V2203 Bobcat in digital format, so the resources that you find are reliable. There are also many Ebooks of related with Kubota Diesel Engine Parts Manual V2203 Bobcat. Where to download Kubota Diesel Engine Parts Manual V2203 Bobcat online for free? Are you looking for Kubota Diesel Engine Parts Manual V2203 Bobcat PDF? This is definitely going to save you time and cash in something you should think about.

Find Kubota Diesel Engine Parts Manual V2203 Bobcat :

[g2 guitar processor manual](#)

[galatians 2 20](#)

game boy color user guide

gamers er guide for pc

gaggenau stove top manual

~~galileo-seven-episode-guide~~

~~futa force futa files 00english edition~~

g650 xmoto service manual

game of thrones paperback books

~~gace-ets-math-study-guide~~

fx35 repair manual panasonic

~~game director leader test answers~~

~~fx-owners-club-website~~

g body body mount diagram

~~fuse diagram user guide~~

Kubota Diesel Engine Parts Manual V2203 Bobcat :

~~[leckere partybrote einfach füllen und überbacken so einfach](#) - Mar 29 2022~~

~~web oct 15 2022 der niedrigste preis für leckere partybrote einfach füllen und überbacken sensationell lecker super einfach gemacht entdecken sie millionen von~~

~~[leckere partybrote einfach füllen und überbacken sensationell](#) - Feb 25 2022~~

~~web es immer haben dabei ist so einfach brot kaufen und einschneiden mit leckeren zutaten füllen und überbacken fertig ist das highlight jeder geselligen tischrunde translation~~

~~[leckerepartybroteeinfachfullenundüberbacken](#) - Jan 27 2022~~

~~web leckere partybrote einfach fullen und uberbacken pdf below leckere partybrote jean luc sady 2016 11 21 unglaublich einfach unglaublich lecker diese brote haben~~

~~[leckere partybrote einfach füllen und überbacken so einfach](#) - May 31 2022~~

~~web unglaublich einfach unglaublich lecker diese brote haben viele namen zupfbrot igelbrot fächerbrot aber wie auch immer sie genannt werden für~~

~~**leckere partybrote einfach füllen und überbacken sensationell** - Mar 09 2023~~

~~web partybrot wir haben 4 472 leckere partybrot rezepte für dich gefunden finde was du suchst erstklassig einfach jetzt ausprobieren mit chefkoch de~~

~~[leckere partybrote einfach füllen und überbacken goodreads](#) - Nov 05 2022~~

~~web party brote gefüllt wir haben 374 raffinierte party brote gefüllt rezepte für dich gefunden finde was du suchst~~

unkompliziert phantastisch jetzt ausprobieren mit

57 leckere partybrote und brötchen küchhengötter - Jan 07 2023

web partybrote wir haben 277 raffinierte partybrote rezepte für dich gefunden finde was du suchst unkompliziert vielfältig jetzt ausprobieren mit chefkoch de

leckere partybrote einfach füllen und überbacken - Aug 02 2022

web diese brote haben viele namen zupfbrot igelbrot fächerbrot aber wie auch immer sie genannt werden für alle gilt wer sie einmal probiert bleibt dabei denn so saftig

partybrot rezepte chefkoch - Feb 08 2023

web ob zum dippen für suppen saucen co oder aber als einzelgänger das fingerfood ist aus mehl wasser salz ei und wahlweise geriebenem käse körner oder frischkäse

leckere partybrote einfach füllen und überbacken katrina - Oct 24 2021

leckere partybrote einfach füllen und überbacken sensationell - Jun 12 2023

web leckere partybrote einfach füllen und überbacken sensationell lecker super einfach gemacht sady jean luc isbn 9783809436744 kostenloser versand für alle bücher

leckere partybrote einfach füllen und überbacken sensationell - Aug 14 2023

web leckere partybrote einfach füllen und überbacken sensationell lecker super einfach gemacht sady jean luc amazon com tr kitap

partybrot die besten rezepte lecker - Apr 10 2023

web 263 sternbewertungen alle formate und editionen anzeigen kindle 6 99 lies mit kostenfreier app gebundenes buch 7 99 weitere in den kategorien neu und

party brote gefüllt rezepte chefkoch - Oct 04 2022

web leckere partybrote einfach füllen und überbacken sensationell lecker super einfach gemacht diese brote werden auch zupfbrot igelbrot oder fächerbrot genannt so

leckere partybrote einfach füllen und Überbacken - Jul 01 2022

web leckere partybrote einfach füllen und überbacken so einfach wie genial von sady jean luc bei abebooks de isbn 10 3809436747 isbn 13 9783809436744

leckere partybrote einfach füllen und überbacken jetzt online - Sep 03 2022

web leckere partybrote einfach füllen und überbacken sensationell lecker super einfach gemacht diese brote werden auch zupfbrot igelbrot oder fächerbrot genannt so

leckere partybrote einfach füllen und überbacken sensationell - Apr 29 2022

web leckere partybrote einfach füllen und überbacken so einfach wie genial einfach füllen und überbacken sensationell
lecker super einfach gemacht by jean luc sady

leckere partybrote einfach füllen überbacken - Jul 13 2023

web nov 21 2016 ungläublich einfach ungläublich lecker diese brote haben viele namen zupfbrot igelbrot fächerbrot aber wie auch immer sie genannt werden für alle gilt wer

leckere partybrote einfach fullen und uberbacken pdf - Dec 26 2021

web pages of leckere partybrote einfach fullen und uberbacken a mesmerizing literary creation penned by way of a celebrated wordsmith readers set about an enlightening

partybrote rezepte chefkoch - Dec 06 2022

web diese brote haben viele namen zupfbrot igelbrot fächerbrot aber wie auch immer sie genannt werden für alle gilt wer sie einmal probiert bleibt dabei denn so saftig

leckere partybrote einfach füllen und überbacken sensationell - May 11 2023

web apr 12 2022 besonders beliebt sind gefüllte partybrote denn sie sind saftig und kommen deshalb auch mal ohne einen dip aus käse kräuterbutter würziges fleisch wie bei

leckere partybrote einfach fullen und uberbacken pdf - Nov 24 2021

web leckere partybrote einfach fullen und uberbacken leckere partybrote einfach fullen und uberbacken 2 downloaded from old restorativejustice org on 2020 09 02 by guest

la wehrmacht la guerre éclair 1 5 youtube - Apr 20 2022

german army 1935 1945 wikipedia - Oct 27 2022

web nov 27 2022 documentario rai della serie la storia siamo noi n b alcuni segmenti di pochi secondi sono stati rimossi in quanto bloccati da youtube per la visione a livello

la wehrmacht parti 1 2 3 e 4 la storia siamo noi youtube - Mar 20 2022

nazism and the wehrmacht wikipedia - Feb 28 2023

web the heer as the german army and part of the wehrmacht inherited its uniforms and rank structure from the reichsheer of the weimar republic 1921 1935 there were few

la wehrmacht la fin d un mythe jean lopez archive org - Jan 18 2022

the role of the german military in the holocaust - Nov 27 2022

web série documentaire de guido knopp sur l armée allemande au cours de la seconde guerre mondiale épisode 1 la guerre éclair 1939 40

la wehrmacht los tiempos de la blitzkrieg youtube - Feb 16 2022

ranks and insignia of the german army 1935 1945 wikipedia - Jul 24 2022

web sens 1 militaire la wehrmacht est le terme utilisé pour désigner l armée allemande entre 1935 et 1946 principalement sous le règne du chancelier et führer adolphe hitler lors

wehrmacht nazi germany wwii blitzkrieg britannica - Jan 30 2023

web during world war ii the german wehrmacht combined armed forces heer kriegsmarine and luftwaffe committed systematic war crimes including massacres

wehrmacht wikipedia la enciclopedia libre - Jun 03 2023

web introduction the role of the german military in the holocaust complicity in nazi aims german officers in the field consult with their commanding officer on their orders of the

wehrmacht wikipedia - Sep 06 2023

web la wehrmacht Écouter prononcé en allemand 've: e maxt littéralement force de défense est le nom porté par l armée du iiii reich à partir du 21 mai 1935 et jusqu à

wehrmacht wikiwand - Apr 01 2023

web the wehrmacht the wehrmacht is a 5 part documentary that provides differentiated answers on the wehrmacht role in the world war ii based on the latest historical and

la wehrmacht le tournant décisif 2 5 youtube - Dec 17 2021

war crimes of the wehrmacht wikipedia - Jun 22 2022

wehrmacht wikipedia - May 02 2023

web german army he:e army was the component of the wehrmacht b the regular armed forces of nazi germany from 1935 until it effectively ceased to exist in 1945 and then

wehrmacht wikipedia - Oct 07 2023

de nombreux historiens se sont penchés avec attention sur le rôle de la wehrmacht dans les crimes allemands durant la seconde guerre mondiale et surtout dans la guerre d extermination et d annihilation sur le front de l est surmontant la vision

simpliste qui attribue les atrocités de la guerre aux seuls ss et à l appareil policier allemand ces historiens ont mis en évidence la part acti

they are just savages german massacres of black soldiers - May 22 2022

the wehrmacht wikipedia - Aug 25 2022

web apr 2 2018 about press copyright contact us creators advertise developers terms privacy policy safety how youtube works test new features nfl sunday ticket

wehrmacht simple english wikipedia the free - Dec 29 2022

web the interplay of racist notions and a particular type of fighting which omer bartov sees as central to explaining the atrocious behavior of the wehrmacht the german armed

german armed forces high command holocaust - Sep 25 2022

web vivant sur un mythe formé par jacques benoist méchin et relayé par des dizaines d historiens pas tous fantaisistes le public croit en la légende dorée de la première

wehrmacht vikipedi - Aug 05 2023

web v t e the relationship between the wehrmacht from 1935 to 1945 the regular combined armed forces of nazi germany and the nazi party which ruled germany has been the

wehrmacht définition simple et facile du dictionnaire l internaute - Nov 15 2021

wehrmacht history branches definition britannica - Jul 04 2023

web today the term wehrmacht refers to germany s armed forces during the nazi germany era and world war ii both in german and english note the wehrmacht was not only the

pdf elements of mathematics class 11th solution youtube - May 02 2023

web may 11 2019 47 share 8 4k views 4 years ago elements of mathematics 11th class solutions pdf elements of mathematics class 11th solution ch 4 mi element of mathematics

elements of mathematics class 11 solution youtube - Jun 03 2023

web apr 23 2020 elements of mathematics class 11th 2 class 11 maths chapter 1 sets 3 cbse and rbse class 11 maths chapter 1 sets 4 representation of sets 5 set builder rule of set 6 roster method of set 7

chse odisha class 11 math book solutions elements of mathematics - Aug 05 2023

web nov 29 2022 elements of mathematics chse solutions class 11 chapter 6 complex numbers and quadratic equations chapter 6 complex numbers and quadratic equations ex 6 a chapter 6 complex numbers and quadratic equations ex 6 b

elements of mathematics class 11 book solutions chapter 7 linear inequalities chapter 7 linear
[booksolution online](#) - Oct 27 2022

web booksolution online

[ncert solutions for class 11 maths updated for 2023 24](#) - Feb 28 2023

web ncert solutions for class 11 maths chapter 1 to 16 pdfs for cbse syllabus 2023 24 are provided at byju s for free download
strengthen your concepts with ncert maths solutions for class 11 prepared by expert faculties at byju s

[class 11 maths questions with solutions complete explanation](#) - Jun 22 2022

web class 11 maths questions here are some class 11 maths questions to help children strengthen their basic mathematical
skills these abilities will build a solid basis for advanced mathematics they will have a better understanding of the
fundamental concepts of mathematics by practising these mathematics questions

[quora](#) - May 22 2022

web we would like to show you a description here but the site won t allow us

[ncert exemplar solutions for class 11 maths byju s](#) - Apr 20 2022

web download ncert exemplar class 11 maths pdfs chapter 1 sets chapter 2 relations and functions chapter 3 trigonometric
functions chapter 4 principle of mathematical induction chapter 5 complex numbers and quadratic equations chapter 6 linear
inequalities chapter 7 permutations and combinations

class 11th elements of mathematics chapter 1 ex 1 3 part 1 youtube - Sep 25 2022

web apr 25 2023 class 11th elements of mathematics chapter 1 ex 1 3 part 1 sets class 11th solution youtube welcome to
mathematics untold where we make maths simple and fun in this video we ae

[element of mathematics solutions of class 11th 2020 youtube](#) - Apr 01 2023

web may 13 2020 in this video you can see about element mathematics solutions of class 11th follow all steps for getting the
link solutions new link bit ly 3usrx

[ncert solutions for class 11 maths updated for 2020 21](#) - Dec 29 2022

web free ncert solutions for class 11 maths solved by expert teachers from latest edition books and as per ncert cbse
guidelines class 11 maths ncert solutions to help you to revise complete syllabus and score more marks

ncert solutions for class 11 get free 2023 24 pdfs byju s - Nov 27 2022

web most important chapters of ncert solutions class 11 1 ncert maths class 11 solutions consists of the solutions to
important topics such as sets functions and relations trigonometry mathematical induction principles quadratic equations
and many more 2 ncert class 11 physics solutions consists of solutions to important topics

ncert solutions class 11 maths chapter 9 sequences and series - Mar 20 2022

web ncert solutions for class 11 maths chapter 9 sequences and series the chapter sequences and series belongs to the unit algebra under the first term class 11 maths cbse syllabus 2023 24 which adds up to 30 marks of the total 80 marks there are 4 exercises along with a miscellaneous exercise in this chapter to help students

elements of mathematics solutions for class 11th part 3 - Jul 04 2023

web may 20 2023 here you will find elements of mathematics solutions for class 11th for class 9th 10th 11th 12th or bachelor degree coming soon element math solution pdf

ncert solutions class 11 mathematics chapter 1 sets - Feb 16 2022

web class 11 mathematics chapter covers important concepts including set operations union of sets venn diagrams and properties of sets download ncert solutions for class 11 mathematics chapter 1 sets pdf

elements of mathematics solutions for class 11th part unbox - Oct 07 2023

web apr 17 2023 elements of mathematics solutions for class 11th part 1 unbox goodies april 17 2023 class 11th elements of math solutions hey guys are you one of them who searching for elements of mathematics foundation by jeevansons publications solutions or you can say element math solution for a long time and didn't

element mathematics of class 11th solutions pdf download free - Sep 06 2023

web may 12 2020 here you can see element of mathematics of class 11th solutions pdf you can download this solution pdf at free of cost studymashup

exercise 1 1 page 4 byju s - Jul 24 2022

web ncert solutions for class 11 maths chapter 1 sets b 1 2 3 4 5 iii c $x \times x$ is a two digit natural number such that the sum of its digits is 8 17 26 35 44 53 62 71 and 80 only are the elements of this set hence the given set can be written in roster form as c 17 26 35 44 53 62 71 80

ncert solutions for class 11 maths pdf updated for 2023 24 - Jan 30 2023

web nov 1 2023 chapter 4 of ncert maths book class 11 solutions pdf includes the topics deduction induction steps of principle of mathematical induction and examples for demonstration of these principles on vedantu students will find the class 11 maths ncert solutions for chapter 4 in both hindi and english

sets class 11 chapter 1 set elements of mathematics youtube - Aug 25 2022

web hiii am sachin welcome to my youtube channel about this video elements of mathematics class 11 solutionpower setuniversal setcomparable setsintervals as su