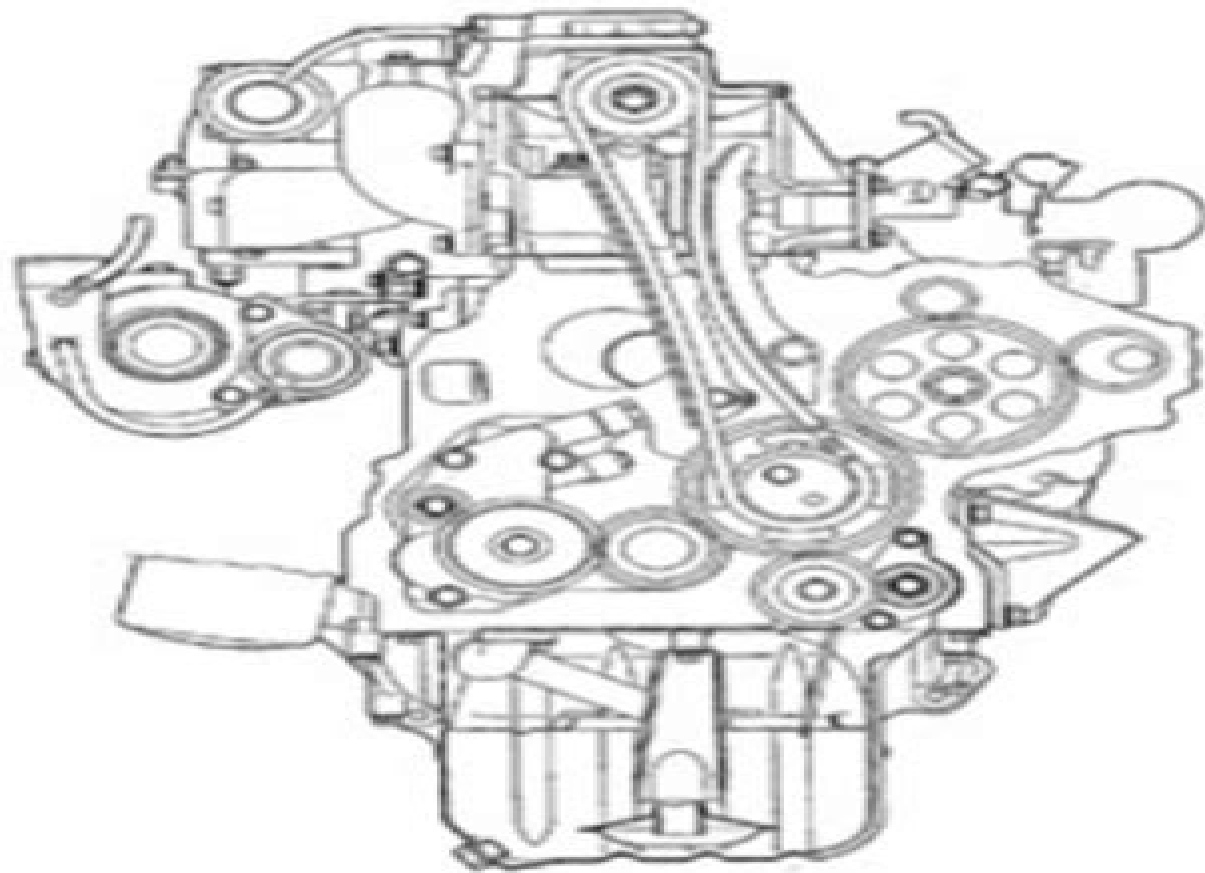


MITSUBISHI 4M40 ENGINE REPAIR MANUAL



Mitsubishi 4m40 Engine Repair Manual

SJ Ball



Mitsubishi 4m40 Engine Repair Manual:

As recognized, adventure as competently as experience just about lesson, amusement, as capably as understanding can be gotten by just checking out a books **Mitsubishi 4m40 Engine Repair Manual** as a consequence it is not directly done, you could recognize even more on the order of this life, a propos the world.

We give you this proper as competently as simple quirk to get those all. We present Mitsubishi 4m40 Engine Repair Manual and numerous ebook collections from fictions to scientific research in any way. among them is this Mitsubishi 4m40 Engine Repair Manual that can be your partner.

<https://staging.conocer.cide.edu/book/publication/HomePages/marsupilami%20tome%20coeur%20deacutetoile.pdf>

Table of Contents Mitsubishi 4m40 Engine Repair Manual

1. Understanding the eBook Mitsubishi 4m40 Engine Repair Manual
 - The Rise of Digital Reading Mitsubishi 4m40 Engine Repair Manual
 - Advantages of eBooks Over Traditional Books
2. Identifying Mitsubishi 4m40 Engine Repair Manual
 - Exploring Different Genres
 - Considering Fiction vs. Non-Fiction
 - Determining Your Reading Goals
3. Choosing the Right eBook Platform
 - Popular eBook Platforms
 - Features to Look for in an Mitsubishi 4m40 Engine Repair Manual
 - User-Friendly Interface
4. Exploring eBook Recommendations from Mitsubishi 4m40 Engine Repair Manual
 - Personalized Recommendations
 - Mitsubishi 4m40 Engine Repair Manual User Reviews and Ratings
 - Mitsubishi 4m40 Engine Repair Manual and Bestseller Lists
5. Accessing Mitsubishi 4m40 Engine Repair Manual Free and Paid eBooks

- Mitsubishi 4m40 Engine Repair Manual Public Domain eBooks
 - Mitsubishi 4m40 Engine Repair Manual eBook Subscription Services
 - Mitsubishi 4m40 Engine Repair Manual Budget-Friendly Options
6. Navigating Mitsubishi 4m40 Engine Repair Manual eBook Formats
 - ePub, PDF, MOBI, and More
 - Mitsubishi 4m40 Engine Repair Manual Compatibility with Devices
 - Mitsubishi 4m40 Engine Repair Manual Enhanced eBook Features
 7. Enhancing Your Reading Experience
 - Adjustable Fonts and Text Sizes of Mitsubishi 4m40 Engine Repair Manual
 - Highlighting and Note-Taking Mitsubishi 4m40 Engine Repair Manual
 - Interactive Elements Mitsubishi 4m40 Engine Repair Manual
 8. Staying Engaged with Mitsubishi 4m40 Engine Repair Manual
 - Joining Online Reading Communities
 - Participating in Virtual Book Clubs
 - Following Authors and Publishers Mitsubishi 4m40 Engine Repair Manual
 9. Balancing eBooks and Physical Books Mitsubishi 4m40 Engine Repair Manual
 - Benefits of a Digital Library
 - Creating a Diverse Reading Collection Mitsubishi 4m40 Engine Repair Manual
 10. Overcoming Reading Challenges
 - Dealing with Digital Eye Strain
 - Minimizing Distractions
 - Managing Screen Time
 11. Cultivating a Reading Routine Mitsubishi 4m40 Engine Repair Manual
 - Setting Reading Goals Mitsubishi 4m40 Engine Repair Manual
 - Carving Out Dedicated Reading Time
 12. Sourcing Reliable Information of Mitsubishi 4m40 Engine Repair Manual
 - Fact-Checking eBook Content of Mitsubishi 4m40 Engine Repair Manual
 - Distinguishing Credible Sources
 13. Promoting Lifelong Learning
 - Utilizing eBooks for Skill Development

- Exploring Educational eBooks
- 14. Embracing eBook Trends
 - Integration of Multimedia Elements
 - Interactive and Gamified eBooks

Mitsubishi 4m40 Engine Repair Manual Introduction

In today's digital age, the availability of Mitsubishi 4m40 Engine Repair Manual books and manuals for download has revolutionized the way we access information. Gone are the days of physically flipping through pages and carrying heavy textbooks or manuals. With just a few clicks, we can now access a wealth of knowledge from the comfort of our own homes or on the go. This article will explore the advantages of Mitsubishi 4m40 Engine Repair Manual books and manuals for download, along with some popular platforms that offer these resources. One of the significant advantages of Mitsubishi 4m40 Engine Repair Manual books and manuals for download is the cost-saving aspect. Traditional books and manuals can be costly, especially if you need to purchase several of them for educational or professional purposes. By accessing Mitsubishi 4m40 Engine Repair Manual versions, you eliminate the need to spend money on physical copies. This not only saves you money but also reduces the environmental impact associated with book production and transportation. Furthermore, Mitsubishi 4m40 Engine Repair Manual books and manuals for download are incredibly convenient. With just a computer or smartphone and an internet connection, you can access a vast library of resources on any subject imaginable. Whether you're a student looking for textbooks, a professional seeking industry-specific manuals, or someone interested in self-improvement, these digital resources provide an efficient and accessible means of acquiring knowledge. Moreover, PDF books and manuals offer a range of benefits compared to other digital formats. PDF files are designed to retain their formatting regardless of the device used to open them. This ensures that the content appears exactly as intended by the author, with no loss of formatting or missing graphics. Additionally, PDF files can be easily annotated, bookmarked, and searched for specific terms, making them highly practical for studying or referencing. When it comes to accessing Mitsubishi 4m40 Engine Repair Manual books and manuals, several platforms offer an extensive collection of resources. One such platform is Project Gutenberg, a nonprofit organization that provides over 60,000 free eBooks. These books are primarily in the public domain, meaning they can be freely distributed and downloaded. Project Gutenberg offers a wide range of classic literature, making it an excellent resource for literature enthusiasts. Another popular platform for Mitsubishi 4m40 Engine Repair Manual books and manuals is Open Library. Open Library is an initiative of the Internet Archive, a non-profit organization dedicated to digitizing cultural artifacts and making them accessible to the public. Open Library hosts millions of books, including both public domain works and contemporary titles. It also allows users to borrow digital copies of certain

books for a limited period, similar to a library lending system. Additionally, many universities and educational institutions have their own digital libraries that provide free access to PDF books and manuals. These libraries often offer academic texts, research papers, and technical manuals, making them invaluable resources for students and researchers. Some notable examples include MIT OpenCourseWare, which offers free access to course materials from the Massachusetts Institute of Technology, and the Digital Public Library of America, which provides a vast collection of digitized books and historical documents. In conclusion, Mitsubishi 4m40 Engine Repair Manual books and manuals for download have transformed the way we access information. They provide a cost-effective and convenient means of acquiring knowledge, offering the ability to access a vast library of resources at our fingertips. With platforms like Project Gutenberg, Open Library, and various digital libraries offered by educational institutions, we have access to an ever-expanding collection of books and manuals. Whether for educational, professional, or personal purposes, these digital resources serve as valuable tools for continuous learning and self-improvement. So why not take advantage of the vast world of Mitsubishi 4m40 Engine Repair Manual books and manuals for download and embark on your journey of knowledge?

FAQs About Mitsubishi 4m40 Engine Repair Manual Books

What is a Mitsubishi 4m40 Engine Repair Manual PDF? A PDF (Portable Document Format) is a file format developed by Adobe that preserves the layout and formatting of a document, regardless of the software, hardware, or operating system used to view or print it. **How do I create a Mitsubishi 4m40 Engine Repair Manual PDF?** There are several ways to create a PDF: Use software like Adobe Acrobat, Microsoft Word, or Google Docs, which often have built-in PDF creation tools. Print to PDF: Many applications and operating systems have a "Print to PDF" option that allows you to save a document as a PDF file instead of printing it on paper. Online converters: There are various online tools that can convert different file types to PDF. **How do I edit a Mitsubishi 4m40 Engine Repair Manual PDF?** Editing a PDF can be done with software like Adobe Acrobat, which allows direct editing of text, images, and other elements within the PDF. Some free tools, like PDFescape or Smallpdf, also offer basic editing capabilities. **How do I convert a Mitsubishi 4m40 Engine Repair Manual PDF to another file format?** There are multiple ways to convert a PDF to another format: Use online converters like Smallpdf, Zamzar, or Adobe Acrobats export feature to convert PDFs to formats like Word, Excel, JPEG, etc. Software like Adobe Acrobat, Microsoft Word, or other PDF editors may have options to export or save PDFs in different formats. **How do I password-protect a Mitsubishi 4m40 Engine Repair Manual PDF?** Most PDF editing software allows you to add password protection. In Adobe Acrobat, for instance, you can go to "File" -> "Properties" -> "Security" to set a password to restrict access or editing capabilities. Are there any free alternatives to Adobe Acrobat for working with PDFs? Yes, there are

many free alternatives for working with PDFs, such as: LibreOffice: Offers PDF editing features. PDFsam: Allows splitting, merging, and editing PDFs. Foxit Reader: Provides basic PDF viewing and editing capabilities. How do I compress a PDF file? You can use online tools like Smallpdf, ILovePDF, or desktop software like Adobe Acrobat to compress PDF files without significant quality loss. Compression reduces the file size, making it easier to share and download. Can I fill out forms in a PDF file? Yes, most PDF viewers/editors like Adobe Acrobat, Preview (on Mac), or various online tools allow you to fill out forms in PDF files by selecting text fields and entering information. Are there any restrictions when working with PDFs? Some PDFs might have restrictions set by their creator, such as password protection, editing restrictions, or print restrictions. Breaking these restrictions might require specific software or tools, which may or may not be legal depending on the circumstances and local laws.

Find Mitsubishi 4m40 Engine Repair Manual :

marsupilami tome coeur deacutetoile

mass effect shotgun guide

maryland state employee pay schedule 2014

martini royale recipe

martin m1 owners manual

mass effect vanguard guide

[marscheme french language b 2013](#)

[mary mathworks punchline](#)

[massage studio pre opening manual](#)

[martin yale manual](#)

martha stewart babka recipe

[massey ferguson 12workshop manual](#)

[markscheme of math 0580 21 o n 11](#)

maryland forklift manual

[martin yale bm101 manual booklet maker](#)

Mitsubishi 4m40 Engine Repair Manual :

Telecommunications Distribution Methods Manual, 13th ... The 13th edition TDMM continues to emphasize recommendations

for best practices drawn from experts around the world, while providing deep reference information ... Telecommunications Distribution Methods Manual The Telecommunications Distribution Methods Manual (TDMM) is BICSI's flagship manual. Now in its 14th edition, it is the basis for the RCDD® exam and has become ... I have a 13th Edition TDMM Manual, is it enough to pass ... Why Vienna's housing is so affordable compared to Amsterdam? r/Netherlands - Why Vienna's housing is so affordable compared to Amsterdam? Telecommunications Distribution Methods Manual ... TDMM, 13th edition, provides critical design information and practice for today's and tomorrow's networks. The TDMM has incorporated new information to ... BICSI releases 13th edition of TDMM Jan 7, 2014 — BICSI releases 13th edition of TDMM ... Updated manual now includes information on the design of distributed antenna systems, passive optical ... Telecommunications Distribution Methods Manual (TDMM ... To: TDMM 13th edition manual owners. From: Clarke W. Hammersley, BICSI Director of Publications Please be advised that BICSI has recently published technical ... BICSI: Books Bicsi Information Technology Systems Installation Methods Manual. by BICSI ... Telecommunications Distribution Methods Manual, 13th Edition. by Bicsi Bicsi. BICSI releases 13th ed Telecommunications Distribution ... Jan 7, 2014 — TDMM has been the definitive reference manual for ITS, telecom and information communications technology infrastructure design since 1984, says ... TELECOMMUNICATIONS DISTRIBUTION DESIGN GUIDE Jun 1, 2022 — BICSI TDMM 13th Edition (the subsection numbers below are in the form of 4.x where x corresponds with the chapter number in the BICSI TDMM). TDMM 14th vs 13th edition Home. Shorts. Library. this is hidden. this is probably aria hidden. TDMM 14th vs 13th edition. Ventoux Learning Network. 8 videosLast updated on Jun 19, 2020. Introduction to Social Work, Fourth Edition This engaging text gives readers a practical guide to the many ways in which social workers effect change in their communities and the world. The authors offer ... Introduction to Social Work, Fourth Edition: The People's ... This engaging text gives readers a practical guide to the many ways in which social workers effect change in their communities and the world. The authors offer ... Empowerment Series: An Introduction to the Profession of ... Get an overview of the social work profession and learn about the role of the social worker in the social welfare system with Segal, Gerdes and Steiner's text. Introduction to Social Work, Fourth Edition The People's ... Book Details. Full Title: Introduction to Social Work, Fourth Edition: The People's Profession. Edition: 4th edition. ISBN-13: 978-0190615666. Format: Paperback ... Introduction to Social Work, Fourth Edition: The People's ... The authors offer an overview and history of the profession; introduce readers to the practice of social work at the micro, mezzo, and macro level; and finally ... Introduction to Social Work, Fourth Edition - Ira Colby The authors offer an overview and history of the profession; introduce readers to the practice of social work at the micro, mezzo, and macro level; and finally ... Introduction to Social Work, Fourth Edition: The People's ... Introduction to Social Work, Fourth Edition: The People's Profession ; Author: Ira Colby ; Publisher: Oxford University Press ; Release Date: 2015 ; ISBN-13: ... Introduction to Social Work, Fourth Edition - Paperback The authors offer an overview and history of the profession; introduce readers to the

practice of social work at the micro, mezzo, and macro level; and finally ... An Introduction to the Profession of Social Work Assess how social welfare and economic policies impact the delivery of and access to social services. 4, 7, 10, 11 c. Apply critical thinking to analyze, ... Introduction to Social Work, Fourth Edition: The ... Introduction to Social Work, Fourth Edition: The People's Profession (4th Edition). by Sophia F. Dziegielewski, Ira Colby. Paperback, 480 Pages, Published ... Baseball Depth Chart Template - Fill Online, Printable, Fillable ... Fill Baseball Depth Chart Template, Edit online. Sign, fax and printable from PC, iPad, tablet or mobile with pdfFiller Instantly. Try Now! Baseball Field Diagram With Positions - Fill Online, Printable ... Fill Baseball Field Diagram With Positions, Edit online. Sign, fax and printable from PC, iPad, tablet or mobile with pdfFiller Instantly. Try Now! Baseball Field Lineup Template - Fill Out and Use This PDF A baseball field lineup template is a document that can be used to keep track of the sequence and positions of all players on the field for every inning. The ... Printable Baseball Diamond Diagram Print a Free Baseball Diamond Diagram. Baseball Diamond Diagram to Show Positions. Printable Baseball Diamond Layout ... Fillable Brackets. Fillable PDF ... 33 Printable Baseball Lineup Templates [Free Download] Apr 29, 2021 — This is a template which lists all of the positions, their locations, and the best places for the players to play on the field. For younger ... Baseball Depth Chart Form - Fill Out and Sign Printable ... Baseball Depth Chart Template. Check out how easy it is to complete and eSign documents online using fillable templates and a powerful editor. Free Youth Baseball Fielding Lineups This baseball lineup template automatically creates fair fielding rotations for your youth baseball or softball team. Just fill in your players' names in ... Baseball Diagrams and Templates - free printable drawing Apollo's Templates offers free baseball field diagrams and templates that can be customized and printed. Editable Baseball Line up and Field Position Printable Sheet. This is a great tool for baseball coaches who want to create their own line up sheets for their teams. Link to receive template file for use in Canva will be ...