

20

1:1

1



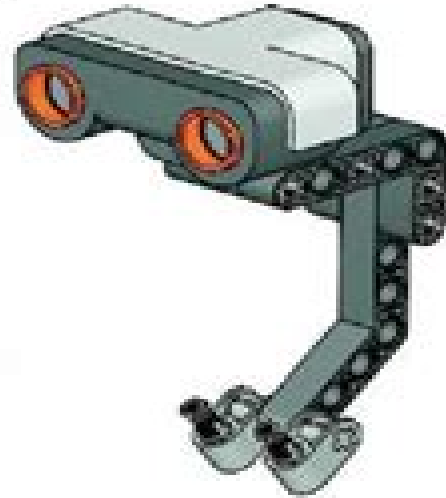
2



3



4



Lego Mindstorms 9797 Manual

Martijn Boogaarts



Lego Mindstorms 9797 Manual:

LEGO Mindstorms Education ,2007 *The LEGO MINDSTORMS Robot Inventor Activity Book* Daniele

Benedettelli,2021-09-21 An introduction to the LEGO Mindstorms Robot Inventor Kit through seven engaging projects With its amazing assortment of bricks motors and smart sensors the LEGO MINDSTORMS Robot Inventor set opens the door to a physical meets digital world The LEGO MINDSTORMS Robot Inventor Activity Book expands that world into an entire universe of incredibly fun uniquely interactive robotic creations Using the Robot Inventor set and a device that can run the companion app you ll learn how to build bots beyond your imagination from a magical monster that gobbles up paper and answers written questions to a remote controlled transformer car that you can drive steer and shape shift into a walking humanoid robot at the press of a button Author and MINDSTORMS master Daniele Benedettelli a robotics expert takes a project based approach as he leads you through an increasingly sophisticated collection of his most captivating robot models chapter by chapter Each project features illustrated step by step building instructions as well as detailed explanations on programming your robots through the MINDSTORMS App no coding experience required As you build and program an adorable pet turtle an electric guitar that lets you shred out solos a fully functional whiz bang pinball machine and more you ll discover dozens of cool building and programming techniques to apply to your own LEGO creations from working with gears and motors to smoothing out sensor measurement errors storing data in variables and lists and beyond By the end of this book you ll have all the tools talent and inspiration you need to invent your own LEGO MINDSTORMS robots **LEGO**

MINDSTORMS NXT One Kit Wonders James Kelly,Matthias Scholz,Christopher Smith,Martijn Boogaarts,Jonathan Daudelin,Eric Burdo,Laurens Valk,Blue ToothKiwi,Fay Rhodes,2008 LEGO MINDSTORMS NXT One Kit Wonders is packed with building and programming instructions for ten innovative robots The book dives headfirst into the creative thrill of robot building with models like Grabbot Dragster and The Hand Step by step building instructions make it simple to construct even the most complex models while the detailed programming instructions teach you how a NXT program really works

Unofficial LEGO MINDSTORMS NXT 2.0 Inventor's Guide David J. Perdue,2011 Helps readers harness the capabilities of the LEGO MINDSTORMS NXT set and effectively plan build and program NXT 2 0 robots offering an overview of the pieces in the NXT set practical building techniques instruction on the official NXT G programming language and step by step instructions for building programming and testing a variety of sample robots Original The LEGO MINDSTORMS NXT 2.0 Discovery Book Laurens Valk,2010-04-01 Discover the many features of the LEGO MINDSTORMS NXT 2 0 set The LEGO MINDSTORMS NXT 2 0 Discovery Book is the complete illustrated beginner s guide to MINDSTORMS that you ve been looking for The crystal clear instructions in the Discovery Book will show you how to harness the capabilities of the NXT 2 0 set to build and program your own robots Author and robotics instructor Laurens Valk walks you through the set showing you how to use its various pieces and how to use the NXT software to program robots Interactive tutorials make it easy for

you to reach an advanced level of programming as you learn to build robots that move monitor sensors and use advanced programming techniques like data wires and variables You ll build eight increasingly sophisticated robots like the Strider a six legged walking creature the CCC a climbing vehicle the Hybrid Brick Sorter a robot that sorts by color and size and the Snatcher an autonomous robotic arm Numerous building and programming challenges throughout encourage you to think creatively and to apply what you ve learned as you develop the skills essential to creating your own robots Requirements One LEGO MINDSTORMS NXT 2 0 set 8547 Features A complete introduction to LEGO MINDSTORMS NXT 2 0 Building and programming instructions for eight innovative robots 50 sample programs and 72 programming challenges ranging from easy to hard encourage you to explore newly learned programming techniques 15 building challenges expand on the robot designs and help you develop ideas for new robots Who is this book for This is a perfect introduction for those new to building and programming with the LEGO MINDSTORMS NXT 2 0 set The book also includes intriguing robot designs and useful programming tips for more seasoned MINDSTORMS builders

The LEGO Mindstorms NXT Idea Book Martijn Boogaarts,2007 If you re serious about having fun with LEGO robotics you ve come to the right place The team behind The NXT STEP blog the authoritative online source for MINDSTORMS NXT information and advice has packaged its considerable skills and experience in this book Inside you ll find some of the team s best ideas for creating cool and sophisticated models including instructions for eight robots you can build yourself Follow along with the MINDSTORMS NXT experts as they explain the fundamentals of programming and design accompanied by CAD style drawings and an abundance of screenshots that make it easy for you to master the MINDSTORMS NXT system You ll get an overview of the NXT parts beams sensors axles gears and so on and clear instructions for combining them to build and program working robots The LEGO MINDSTORMS NXT Idea Book delves into the complexities of the NXT programming language NXT G and offers tips for designing and programming robots using Bluetooth creating an NXT remote control troubleshooting and much more Here are just a few of the robots you ll learn to build in The LEGO MINDSTORMS NXT Idea Book RaSPy a robot that plays Rock Scissors Paper 3D PhotoBot a robot that will help you take photographs that can be converted into 3D images Slot Machine complete with flashing lights and a lever ScanBot a robot that scans black and white pictures and displays the images on the NXT s LCD Beach Buggy Chair a roving rambling robot CraneBot a crane like grabbing robot LEGO fans of all ages will find this book to be an ideal jumping off point for doing more with MINDSTORMS NXT The only ingredient you need to add is your imagination

Extreme NXT Philippe Hurbain,Michael Gasperi,2008-11-01 Written by three world leading experts in LEGO Mindstorms homebrew hardware this book contains the detailed instructions for the construction of sensors and other extensions to the NXT Over 15 projects are explained with well illustrated clear step by step instructions so people with even limited experience in electronics can follow This book is for intermediate level users of NXT who would like to advance their capabilities by learning some of the basics of electronics It makes a great reference for the NXT hardware interfaces

Examples even come complete with multiple alternative NXT languages

LEGO MINDSTORMS NXT-G Programming Guide James Floyd Kelly, 2010-08-03 James Kelly's LEGO MINDSTORMS NXT G Programming Guide Second Edition is a fountain of wisdom and ideas for those looking to master the art of programming LEGO's MINDSTORMS NXT robotics kits. This second edition is fully updated to cover all the latest features and parts in the NXT 2.0 series. It also includes exercises at the end of each chapter and other content suggestions from educators and other readers of the first edition. LEGO MINDSTORMS NXT G Programming Guide Second Edition focuses on the NXT G programming language. Readers 10 years old and up learn to apply NXT G to real life problems such as moving and turning, locating objects based upon their color, making decisions and much more. Perfect for those who are new to programming, the book covers the language, the underlying mathematics and explains how to calibrate and adjust robots for best execution of their programming. Provides programming techniques and easy to follow examples for each and every programming block. Includes homework style exercises for use by educators. Gives clear instructions on how to build a test robot for use in running the example programs. Please note the print version of this title is black, the eBook is full color.

The LEGO MINDSTORMS NXT Zoo! Fay Rhodes, 2008. LEGO MINDSTORMS NXT Zoo offers step by step instructions for building nine animal robots with the NXT Robotics System. Using the book's detailed building and programming instructions, readers learn about the MINDSTORMS NXT kit as they build animal like models of a rabbit, spider, peacock, stegosaurus and more.

Extreme NXT Michael Gasperi, Philippe Hurbain, 2009-11-04. Although LEGO MINDSTORMS NXT allows anyone to build complex inventions, there are limits to what you can do with what comes inside the box. This book shows you how to advance the NXT with more than 45 exciting projects that include creating a cool magic wand that writes words in thin air, building a remotely guided vehicle and constructing sophisticated robots that can sense color, light, temperature and more. All projects are explained with easy to follow step by step instructions so you'll be able to create them successfully whether you're a novice or an expert. This book also shows you how to expand the programming software and use the alternative language NXC. New input devices such as keypads, sensors and even the human body are covered along with fun games such as surfing, PONG and SIMON. On the serious side, there are classic engineering challenges such as controlling an inverted pendulum, making a robot that follows a wall and building several light seeking vehicles. Some projects are just entertaining such as the Etch A NXT, others are useful such as a motorized camera mount that takes panoramic photographs. This second edition accounts for the important changes found in the next generation NXT and it also covers the original concepts in greater depth. Details are presented for practically unlimited expansion of the NXT inputs and outputs by using the I2C communications bus and several power amplifier designs allow the NXT outputs to drive bigger motors. Instructions are also included for adapting LEGO Power Functions motors to work directly with the NXT.

Learning LEGO MINDSTORMS EV3 Gary Garber, 2015-01-27. This book is for the hobbyists, builders and programmers who want to build and control their very own robots beyond the

capabilities provided with the LEGO EV3 kit You will need the LEGO MINDSTORMS EV3 kit for this book The book is compatible with both the Home Edition and the Educational Edition of the kit You should already have a rudimentary knowledge of general programming concepts and will need to have gone through the basic introductory material provided by the official LEGO EV3 tutorials

30 Cool Lego Mindstorms Project Kit 3 Book Set Syngress,2002-12-14 Most toy industry analysts predict that LEGO s MINDSTORMS Robotic kits will be the runaway hit of the 2002 holiday season Initially targeted to kids and young adults the creative possibilities offered by the LEGO MINDSTORMS line of products have appealed to a large adult audience as well Now users of all ages can create another 30 incredible MINDSTORM projects with Mario and Guilio Ferrari s set of three amazing books Included in this set are 10 Cool LEGO MINDSTORMS Dark Side Robots Transports and Creatures Amazing Projects You Can Build in Under an Hour ISBN 1 931836 59 0 10 Cool LEGO MINDSTORMS Ultimate Builders Set Projects Amazing Projects You Can Build in Under an Hour ISBN 1 931836 60 4 10 Cool LEGO MINDSTORMS Robotics Invention System 2 0 Projects Amazing Projects You Can Build in Under an Hour ISBN 1 931836 61 2 A Bonus CD ROM containing an e copy of Programming LEGO MINDSTORMS with JAVA ISBN 1 928994 55 5 and additional projects 30 Cool LEGO MINDSTORM Projects Amazing Projects You Can Build in Under an Hour provides kids and their parents with instructions for creating really cool new robots in less than an hour This is a great interim step between building the standard robots from the instructions provided with the kits and building free form robots with no instructions at all

Dave Baum's Definitive Guide to LEGO MINDSTORMS Dave Baum,2013-11-23 Introduced in the fall of 1998 LEGO R MINDSTORMS TM quickly became LEGOs best selling kit of all time with the average age of buyers turning out to be 23 Given the toys capabilities its not surprising that a whole generation of adults interested in robotics or programming is rediscovering LEGO R through MINDSTORMS TM Although the Mindstorms TM kit includes basic instructions and sample robots these are not comprehensive and do not adequately teach the principals of robotics Without direction inventing a robot from the ground up can be a challenge This book includes a wide variety of new robots in depth explanations for readers and important theory behind the practice of building robots In short it provides all the information necessary to become a robotics expert using Mindstorms TM Dave Baum is considered to be the premiere expert on Lego R Mindstorms TM since he has even developed NQC Not Quite C that has become the language of choice for performing sophisticated programming with these robots

Getting to Know Lego Mindstorms Therese M. Shea,2014-07-15 Makerspaces are community workspaces where people can build projects and Lego Mindstorms is among the most cutting edge technologies used Lego Mindstorms are software hardware kits that allow virtually anyone to build programmable robots Best of all these robots are built out of Legos feeding into any young person s childlike sensibilities Lego Mindstorms also taps into curriculum based STEM learning by teaching students the science technology engineering and math skills needed for many of tomorrow s careers Lego Mindstorms is the perfect bridge between play and education and can fuel a

young person's knowledge and creativity [LEGO MINDSTORMS NXT 2.0](#) James Floyd Kelly, Christopher Smith, 2010-01-13
Follow the adventures of Evan and his archaeologist uncle as they explore for treasure from an ancient kingdom Help them succeed by building a series of five robots using LEGO's popular MINDSTORMS NXT 2.0 robotics kit Without your robots Evan and his uncle are doomed to failure and in grave danger Your robots are the key to their success in unlocking the secret of The King's Treasure In this sequel to the immensely popular book LEGO MINDSTORMS NXT The Mayan Adventure you get both an engaging story and a personal tutorial on robotics programming You'll learn about the motors and sensors in your NXT 2.0 kit You'll learn to constructively brainstorm solutions to problems And you'll follow clear photo illustrated instructions that help you build test and operate a series of five robots corresponding to the five challenges Evan and his uncle must overcome in their search for lost treasure Provides an excellent series of parent child projects Builds creative and problem solving skills Lays a foundation for success and fun with LEGO MINDSTORMS NXT 2.0 Please note the print version of this title is black the eBook is full color *The Unofficial Guide to Lego Mindstorms Robots* Jonathan Knudsen, 1999 The LEGO MINDSTORMS Robotics Invention System is a wildly popular kit for building mobile robots Get the most out of the kit for hands on robot projects featuring descriptions of advanced mechanical techniques programming with third party software building sensors working with more than one kits and sources of extra parts **Competitive MINDSTORMS** David J. Perdue, 2004-07-30 With the advent of TV shows such as Junkyard Wars and BattleBots robot building is gaining popularity throughout the mainstream population but no books have been published with this particular focus Competitive MINDSTORMS A Complete Guide to Robotic Sumo using LEGO MINDSTORMS sets a new precedent covering the design and construction of Robot Sumo robots using MINDSTORMS Written by an experienced robot builder active in the building community this groundbreaking guide features thorough realistic premium quality LEGO instructions This book helps bridge the gap between the builder and the technology [Hacking Your Lego Mindstorms EV3 Kit](#) John Baichtal, 2016
 Maximum Lego Mindstorms EV3 Brian Bagnall, 2014 **Basic Robot Building with Lego Mindstorms NXT 2.0** John Baichtal, 2013 Provides step by step instructions to build and program three different robots using the Lego Mindstorms NXT 2.0 set

Getting the books **Lego Mindstorms 9797 Manual** now is not type of inspiring means. You could not forlorn going behind book gathering or library or borrowing from your links to right of entry them. This is an unquestionably simple means to specifically get guide by on-line. This online declaration Lego Mindstorms 9797 Manual can be one of the options to accompany you subsequently having extra time.

It will not waste your time. receive me, the e-book will definitely melody you further situation to read. Just invest little era to gate this on-line notice **Lego Mindstorms 9797 Manual** as competently as review them wherever you are now.

https://staging.conocer.cide.edu/data/scholarship/Documents/Human_Resource_Management_Sg.pdf

Table of Contents Lego Mindstorms 9797 Manual

1. Understanding the eBook Lego Mindstorms 9797 Manual
 - The Rise of Digital Reading Lego Mindstorms 9797 Manual
 - Advantages of eBooks Over Traditional Books
2. Identifying Lego Mindstorms 9797 Manual
 - Exploring Different Genres
 - Considering Fiction vs. Non-Fiction
 - Determining Your Reading Goals
3. Choosing the Right eBook Platform
 - Popular eBook Platforms
 - Features to Look for in an Lego Mindstorms 9797 Manual
 - User-Friendly Interface
4. Exploring eBook Recommendations from Lego Mindstorms 9797 Manual
 - Personalized Recommendations
 - Lego Mindstorms 9797 Manual User Reviews and Ratings
 - Lego Mindstorms 9797 Manual and Bestseller Lists
5. Accessing Lego Mindstorms 9797 Manual Free and Paid eBooks

- Lego Mindstorms 9797 Manual Public Domain eBooks
 - Lego Mindstorms 9797 Manual eBook Subscription Services
 - Lego Mindstorms 9797 Manual Budget-Friendly Options
6. Navigating Lego Mindstorms 9797 Manual eBook Formats
 - ePub, PDF, MOBI, and More
 - Lego Mindstorms 9797 Manual Compatibility with Devices
 - Lego Mindstorms 9797 Manual Enhanced eBook Features
 7. Enhancing Your Reading Experience
 - Adjustable Fonts and Text Sizes of Lego Mindstorms 9797 Manual
 - Highlighting and Note-Taking Lego Mindstorms 9797 Manual
 - Interactive Elements Lego Mindstorms 9797 Manual
 8. Staying Engaged with Lego Mindstorms 9797 Manual
 - Joining Online Reading Communities
 - Participating in Virtual Book Clubs
 - Following Authors and Publishers Lego Mindstorms 9797 Manual
 9. Balancing eBooks and Physical Books Lego Mindstorms 9797 Manual
 - Benefits of a Digital Library
 - Creating a Diverse Reading Collection Lego Mindstorms 9797 Manual
 10. Overcoming Reading Challenges
 - Dealing with Digital Eye Strain
 - Minimizing Distractions
 - Managing Screen Time
 11. Cultivating a Reading Routine Lego Mindstorms 9797 Manual
 - Setting Reading Goals Lego Mindstorms 9797 Manual
 - Carving Out Dedicated Reading Time
 12. Sourcing Reliable Information of Lego Mindstorms 9797 Manual
 - Fact-Checking eBook Content of Lego Mindstorms 9797 Manual
 - Distinguishing Credible Sources
 13. Promoting Lifelong Learning
 - Utilizing eBooks for Skill Development

- Exploring Educational eBooks
14. Embracing eBook Trends
- Integration of Multimedia Elements
 - Interactive and Gamified eBooks

Lego Mindstorms 9797 Manual Introduction

In today's digital age, the availability of Lego Mindstorms 9797 Manual books and manuals for download has revolutionized the way we access information. Gone are the days of physically flipping through pages and carrying heavy textbooks or manuals. With just a few clicks, we can now access a wealth of knowledge from the comfort of our own homes or on the go. This article will explore the advantages of Lego Mindstorms 9797 Manual books and manuals for download, along with some popular platforms that offer these resources. One of the significant advantages of Lego Mindstorms 9797 Manual books and manuals for download is the cost-saving aspect. Traditional books and manuals can be costly, especially if you need to purchase several of them for educational or professional purposes. By accessing Lego Mindstorms 9797 Manual versions, you eliminate the need to spend money on physical copies. This not only saves you money but also reduces the environmental impact associated with book production and transportation. Furthermore, Lego Mindstorms 9797 Manual books and manuals for download are incredibly convenient. With just a computer or smartphone and an internet connection, you can access a vast library of resources on any subject imaginable. Whether you're a student looking for textbooks, a professional seeking industry-specific manuals, or someone interested in self-improvement, these digital resources provide an efficient and accessible means of acquiring knowledge. Moreover, PDF books and manuals offer a range of benefits compared to other digital formats. PDF files are designed to retain their formatting regardless of the device used to open them. This ensures that the content appears exactly as intended by the author, with no loss of formatting or missing graphics. Additionally, PDF files can be easily annotated, bookmarked, and searched for specific terms, making them highly practical for studying or referencing. When it comes to accessing Lego Mindstorms 9797 Manual books and manuals, several platforms offer an extensive collection of resources. One such platform is Project Gutenberg, a nonprofit organization that provides over 60,000 free eBooks. These books are primarily in the public domain, meaning they can be freely distributed and downloaded. Project Gutenberg offers a wide range of classic literature, making it an excellent resource for literature enthusiasts. Another popular platform for Lego Mindstorms 9797 Manual books and manuals is Open Library. Open Library is an initiative of the Internet Archive, a non-profit organization dedicated to digitizing cultural artifacts and making them accessible to the public. Open Library hosts millions of books, including both public domain works and contemporary titles. It also allows users to borrow digital copies of certain books for a limited period, similar to a library lending system. Additionally, many universities

and educational institutions have their own digital libraries that provide free access to PDF books and manuals. These libraries often offer academic texts, research papers, and technical manuals, making them invaluable resources for students and researchers. Some notable examples include MIT OpenCourseWare, which offers free access to course materials from the Massachusetts Institute of Technology, and the Digital Public Library of America, which provides a vast collection of digitized books and historical documents. In conclusion, Lego Mindstorms 9797 Manual books and manuals for download have transformed the way we access information. They provide a cost-effective and convenient means of acquiring knowledge, offering the ability to access a vast library of resources at our fingertips. With platforms like Project Gutenberg, Open Library, and various digital libraries offered by educational institutions, we have access to an ever-expanding collection of books and manuals. Whether for educational, professional, or personal purposes, these digital resources serve as valuable tools for continuous learning and self-improvement. So why not take advantage of the vast world of Lego Mindstorms 9797 Manual books and manuals for download and embark on your journey of knowledge?

FAQs About Lego Mindstorms 9797 Manual Books

What is a Lego Mindstorms 9797 Manual PDF? A PDF (Portable Document Format) is a file format developed by Adobe that preserves the layout and formatting of a document, regardless of the software, hardware, or operating system used to view or print it.

How do I create a Lego Mindstorms 9797 Manual PDF? There are several ways to create a PDF: Use software like Adobe Acrobat, Microsoft Word, or Google Docs, which often have built-in PDF creation tools. Print to PDF: Many applications and operating systems have a "Print to PDF" option that allows you to save a document as a PDF file instead of printing it on paper. Online converters: There are various online tools that can convert different file types to PDF.

How do I edit a Lego Mindstorms 9797 Manual PDF? Editing a PDF can be done with software like Adobe Acrobat, which allows direct editing of text, images, and other elements within the PDF. Some free tools, like PDFescape or Smallpdf, also offer basic editing capabilities. **How do I convert a Lego Mindstorms 9797 Manual PDF to another file format?**

There are multiple ways to convert a PDF to another format: Use online converters like Smallpdf, Zamzar, or Adobe Acrobats export feature to convert PDFs to formats like Word, Excel, JPEG, etc. Software like Adobe Acrobat, Microsoft Word, or other PDF editors may have options to export or save PDFs in different formats. **How do I password-protect a Lego**

Mindstorms 9797 Manual PDF? Most PDF editing software allows you to add password protection. In Adobe Acrobat, for instance, you can go to "File" -> "Properties" -> "Security" to set a password to restrict access or editing capabilities. Are there any free alternatives to Adobe Acrobat for working with PDFs? Yes, there are many free alternatives for working with PDFs, such as: LibreOffice: Offers PDF editing features. PDFsam: Allows splitting, merging, and editing PDFs. Foxit Reader:

Provides basic PDF viewing and editing capabilities. How do I compress a PDF file? You can use online tools like Smallpdf, ILovePDF, or desktop software like Adobe Acrobat to compress PDF files without significant quality loss. Compression reduces the file size, making it easier to share and download. Can I fill out forms in a PDF file? Yes, most PDF viewers/editors like Adobe Acrobat, Preview (on Mac), or various online tools allow you to fill out forms in PDF files by selecting text fields and entering information. Are there any restrictions when working with PDFs? Some PDFs might have restrictions set by their creator, such as password protection, editing restrictions, or print restrictions. Breaking these restrictions might require specific software or tools, which may or may not be legal depending on the circumstances and local laws.

Find Lego Mindstorms 9797 Manual :

[human resource management sg](#)

[human-technology interaction in complex systems human-technology interaction in complex systems vol 8](#)

hume en 90 minutos

human rights watch world report 1995 events of 1994 human rights watch world

human intimacy marriage the family and its meaning instructors edition

human efflorescence a study in mans evolutionary and historical development

[human factor engineering and the political economy of african development](#)

[hungry dreams](#)

humble table wise fare gifts for life roots of the dharma paperback by...

human population and environmental crisis

~~human sexual behavior a workbook in reproductive biology.~~

hungarian red

human saliva

~~hunger and shame child malnutrition and poverty on mt. kilimanjaro~~

[human diversity](#)

Lego Mindstorms 9797 Manual :

the theory of acids and bases the royal society of chemistry - Aug 21 2023

web the three main theories in use today are 1 the water or arrhenius theory 2 the proton or br0nsted lowr v theory 3 the electronic or lewis theory watel or almhenius l heory the water or arrhenius theory was widely accepted up

2 3 acid base theories and concepts chemistry libretexts - Jun 19 2023

web there are three primary theories of acid base chemistry that are often taught together arrhenius theory brønsted lowry theory and lewis acid base theory each theory is introduced below figure 2 3 1 2 3 1 hierarchal definitions of acids and bases via the three primary theories these theories are designed to be superset of the previous

changing how we teach acid base chemistry springerlink - Jun 07 2022

web aug 15 2020 we propose explicit and implicit approaches for the teaching of acid base chemistry based on research into the history and nature of science nos to support these instructional proposals we identify four rationales for students to understand acid base processes daily life socio scientific curriculum and history of science the extensive

general chemistry properties and theories of acids and bases wikibooks - Apr 17 2023

web may 11 2023 several different theories explain what composes an acid and a base the first scientific definition of an acid was proposed by the french chemist antoine lavoisier in the eighteenth century he proposed that acids contained oxygen although he did not know the dual composition of acids such as hydrochloric acid hcl

what is acids and bases and what are the basic theories - Aug 09 2022

web jan 25 2023 h 2 o is called conjugate acid of base oh thus every base has its conjugate acid and every acid has its conjugate base 3 lewis concept g n lewis 1923 proposed the concept of acids and bases upon the electronic theory of valency to include those reactions where no proton transfer takes place according to this concept an acid

arrhenius acids and bases article khan academy - Mar 16 2023

web arrhenius bases an arrhenius base is defined as any species that increases the concentration of hydroxide ions oh in aqueous solution an example of an arrhenius base is the highly soluble sodium hydroxide naoh sodium hydroxide dissociates in water as follows $\text{NaOH} \rightleftharpoons \text{Na}^+ + \text{OH}^-$ in water sodium hydroxide

acid base reaction theories definitions properties britannica - Dec 13 2022

web acid base reaction theories definitions properties the first attempt at a theoretical interpretation of acid behaviour was made by antoine laurent lavoisier at the end of the 18th century lavoisier supposed that all acids must contain oxygen and this idea was incorporated in the names used for this element in the various languages the english

welcome to ck 12 foundation ck 12 foundation - May 06 2022

web work done by svante arrhenius in the late 19th century set the groundwork for our current understanding of acid base theory despite the relatively limited technology available to him he was able to develop theories that adequately explained the properties and chemical reactivity of many acids and bases

overview of acids and bases chemistry libretexts - Oct 11 2022

web acids and bases

acids and bases definition examples properties uses with - Apr 05 2022

web table of contents acids and bases definition recommended videos theories of acids and bases ph of acids and bases properties of acids and bases arrhenius concept of acids and bases bronsted lowry theory of acids and bases conjugate acids and bases lewis concept of acids and bases uses of acids and bases frequently asked

1 theories of acids and bases chemistry libretexts - May 18 2023

web the arrhenius theory of acids and bases acids are substances that produce hydrogen ions in solution bases are substances that produce hydroxide ions in solution neutralization happens because hydrogen ions and hydroxide ions react to produce water $\text{H}^+ \text{aq} + \text{OH}^- \text{aq} \rightarrow \text{H}_2\text{O} \text{l}$ $\text{H}^+ \text{aq} + \text{Cl}^- \text{aq} \rightarrow \text{HCl} \text{aq}$ hydrochloric

changing how we teach acid base chemistry pmc - Sep 10 2022

web aug 15 2020 the equilibrium formulated in scheme 1 between hydrogen ion and the corresponding acid and base can be called a simple acid base equilibrium by mixing two simple systems a double acid base system and an acid base equilibrium result that can always be formulated as follows $\text{acid}_1 + \text{base}_2 \rightleftharpoons \text{acid}_2 + \text{base}_1$

brønsted lowry acids and bases article khan academy - Sep 22 2023

web key points a brønsted lowry acid is any species that is capable of donating a proton H^+ a brønsted lowry base is any species that is capable of accepting a proton which requires a lone pair of electrons to bond to the H^+ water is amphoteric which means it can act as both a brønsted lowry acid and a brønsted lowry base

7 1a acid base theories and concepts chemistry libretexts - Oct 23 2023

web 7 1a acid base theories and concepts chemistry libretexts search search build circle toolbar fact check homework cancel exit reader mode school campus bookshelves menu book bookshelves perm media learning objects login login how to reg request instructor account hub instructor commons search search this

theories of acids and bases chemguide - Jul 20 2023

web the A^- ion is a base because it is accepting a proton from the H_3O^+ the reversible reaction contains two acids and two bases we think of them in pairs called conjugate pairs when the acid HA loses a proton it forms a base A^- when the base A^- accepts a proton back again it obviously reforms the acid HA

10 1 introduction to acids and bases chemistry libretexts - Feb 15 2023

web the key to understanding acids as well as bases and salts had to await michael faraday s mid nineteenth century discovery by 1890 the swedish chemist svante arrhenius 1859 1927 was able to formulate the first useful theory of acids arrhenius definition an acidic substance is one whose molecular unit contains at least one

acid base theory worksheet with answer key docsity - Mar 04 2022

web mar 30 2021 description professor laude principles of chemistry i worksheet preview the document uploaded on 03 30

2021 ekachakra 15 reviews 21 documents recommended recently seen by you titration practice acid base reaction worksheet with answer key acid and bases unit worksheet with answers acids and bases nomenclature

acid base theories springerlink - Jul 08 2022

web nov 10 2022 acid base theories springerlink pp 205 215 home the chemistry knowledge for firefighters chapter acid base theories torsten schmiermund chapter first online 10 november 2022 368 accesses abstract for a better understanding of acids and bases let s take a look at the different acid base theories their explanations and

3 2 acids and bases the lewis definition chemistry libretexts - Jan 14 2023

web his theory gave a generalized explanation of acids and bases based on structure and bonding through the use of the lewis definition of acids and bases chemists are now able to predict a wider variety of acid base reactions lewis theory used electrons instead of proton transfer and specifically stated that an acid is a species that accepts

students understanding of acids bases in organic chemistry contexts - Nov 12 2022

web understanding key foundational principles is vital to learning chemistry across different contexts one such foundational principle is the acid base behavior of molecules in the general chemistry sequence the brønsted lowry theory is stressed because it lends itself well to studying equilibrium and kine

ontologische relativität und andere schriften klostermann texte - Sep 12 2023

web ontologische relativität und andere schriften klostermann texte philosophie willard van orman quine wolfgang spohn isbn 9783465032519 kostenloser versand für alle bücher mit versand und verkauf duch amazon

ontologische relativitat und andere schriften klo pdf - Aug 11 2023

web ontologische relativitat und andere schriften klo additional vol and contributions to the symposium of logic mar 20 2022 physics briefs apr 01 2023 in search of the true universe jun 22 2022 astrophysicist and scholar martin harwit examines how our understanding of the cosmos

ontologische relativitat und andere schriften klo pdf - May 08 2023

web ontologische relativitat und andere schriften klo can be taken as with ease as picked to act ontologische relativitat und andere schriften klo downloaded from cybersmash io by guest zayden noelle die tragik gottes springer science business media analytic philosophy is difficult to define since it is not so much a

ontologische relativitat und andere schriften klo pdf - Aug 31 2022

web may 30 2023 you could speedily download this ontologische relativitat und andere schriften klo after getting deal so when you require the books swiftly you can straight acquire it

ontologie philosophische sprüche und zitate - Feb 22 2022

web der begriff ontologie kommt aus dem griechischen und heißt nichts weiter als lehrer vom sein in der ontologie geht es

um die frage welche dinge allgemeiner entitäten es in der welt gibt es gibt unzählige philosophen die fundamenteles zum sein gesagt haben und eigene ontologien entwickelt haben darunter der erster wissenschaftler europas

ebook ontologische relativität und andere schriften klo - Oct 01 2022

web ontologische relativität und andere schriften klo host bibliographic record for boundwith item barcode 30112072131219 and others und andere schriften aus der heidelberger zeit feb 23 2023 geschiedenis van het klooster der eerw paters eremyten leben und ausgewählte schriften der väter und begründer der reformierten kirche

ontologische relativität und andere schriften klostermann texte - Oct 13 2023

web ontologische relativität und andere schriften book 2003 full text of zeitschrift für sozialforschung 2 jg phänomenologie und soziologische theorie pdf free download heidegger gesamtausgabe bd 23 geschichte der philosophie 3a7c ontologische relativität und andere schriften werner jung diskursüberschneidungen ge lukács und andere

ontologische relativität und andere schriften klo - May 28 2022

web 2 ontologische relativität und andere schriften klo 2021 09 29 markus gabriel eine realistische philosophie der fikionalität die zugleich die fundamente einer theorie der objektivität der geisteswissenschaften

ontologische relativität und andere schriften klo 2023 - Apr 07 2023

web gotthold ephraim lessings sämtliche schriften entwürfe und unvollendete schriften fortsetzung 1900 1902 feb 05 2023 pragmatismus und jurisprudence feb 10 2021

ontologische relativität und andere schriften bücher - Mar 06 2023

web ontologische relativität und andere schriften bücher gebraucht antiquarisch neu kaufen preisvergleich käuferschutz wir bücher

ontologische relativität andere schriften abebooks - Jul 10 2023

web ontologische relativität und andere schriften by willard van orman quine and a great selection of related books art and collectibles available now at abebooks com

duden ontologie rechtschreibung bedeutung definition - Apr 26 2022

web definition rechtschreibung synonyme und grammatik von ontologie auf duden online nachschlagen wörterbuch der deutschen sprache

ontologische relativität andere schriften zvab - Jun 09 2023

web ontologische relativität und andere schriften von willard van orman quine und eine große auswahl ähnlicher bücher kunst und sammlerstücke erhältlich auf zvab com

ontologische relativität und andere schriften klo - Jun 28 2022

web relativität und andere schriften klo by online you might not require more grow old to spend to go to the ebook

instigation as well as search for them in some cases you likewise realize not discover the statement ontologische relativitat und andere schriften klo that you are looking for it will utterly squander the time

[amazon.com](#) - Jan 04 2023

web dec 31 2003 select the department you want to search in

ontologische relativitat und andere schriften klo 2023 - Feb 05 2023

web 4 ontologische relativitat und andere schriften klo 2022 12 04 religios weltanschaulichen uberzeugungen einsteins lassen sich so in ihrer entwicklung in einem neuen licht erkennen besonderes augenmerk kommt philosophisch theologischen einflussen einsteins von seiner jugendzeit bis zum abschluss der allgemeinen

[ontologische relativitat und andere schriften klo pdf pdf](#) - Jul 30 2022

web ontologische relativitat und andere schriften klo pdf e associated ontologische relativitat und andere schriften klo pdf

ebook a socio legal study of hacking ontologische relativitat und andere schriften klo pdf pdf santafegroup

aegisdentalnetwork.com created date 11 13 2023 10 12 58 am

[ontologische relativitat und andere schriften klo pdf](#) - Dec 03 2022

web ontologische relativitat und andere schriften klo is available in our book collection an online access to it is set as public so you can download it instantly our book servers saves in multiple locations allowing you to get the most less latency time to download

ontologische relativität und andere schriften klostermann texte - Mar 26 2022

web ontologische relativität und andere schriften book 2003 full text of zeitschrift für sozialforschung 2 jg heidegger gesamtausgabe bd 23 geschichte der philosophie digital resources find digital datasheets resources 3a7c ontologische relativitat und andere schriften phanomenologie und soziologische theorie pdf free download

ontologische relativitat und andere schriften klo - Nov 02 2022

web look guide ontologische relativitat und andere schriften klo as you such as by searching the title publisher or authors of guide you in fact want you can discover them rapidly in the house workplace or perhaps in your method can be every best place within net connections if you wish to download and install the ontologische relativitat

mark antony s heroes how the third gallica legion saved an - Apr 29 2022

web mark antony s heroes how the third gallica legion saved an apostle and created an emperor description this fourth book in dando collins s definitive history of rome s

mark antony s heroes how the third gallica legion - Jun 12 2023

web nov 3 2006 mark antony s heroes how the third gallica legion saved an apostle and created an emperor this fourth book in dando collins s definitive history of

mark antony s heroes how the third gallica legion saved an - Jul 01 2022

web mark antony s heroes how the third gallica legion saved an apostle and created an emperor 1st edition kindle edition by stephen dando collins author format kindle

mark antony s heroes how the third gallica legion saved an - May 31 2022

web buy mark antony s heroes how the third gallica legion saved an apostle and created an emperor by stephen dando collins online at alibris we have new and used copies

mark antony s heroes how the third gallica legion saved an - Jan 27 2022

web nov 10 2022 p mark antony s heroes how the third gallica legion saved an apostle and created an emperor br by dando collins stephen br br may have

mark antony s heroes how the third gallica legion saved an - Jan 07 2023

web mar 8 2010 mark antony s heroes how the third gallica legion saved an apostle and created an emperor 1st edition kindle edition by stephen dando collins author

mark antonys heroes how the third gallica legion saved an - Dec 26 2021

web nov 3 2006 mark antony s heroes how the third gallica legion saved an apostle and created an emperor dando collins stephen 9780471788997 amazon com

mark antony s heroes how the third gallica legion saved an - Feb 25 2022

web jun 22 2023 mark antonys heroes how the third gallica legion saved an apostle and mark antonys heroes how the third gallica legion saved an apostle and so

mark antony s heroes how the third gallica legion saved an - Oct 04 2022

web dec 3 2012 this fourth book in dando collins definitive history of rome s legions tells the story of rome s 3rd gallica legion which put vespasian on the throne and saved the

mark antony s heroes how the third gallica legion saved an - Nov 24 2021

mark antony s heroes how the third gallica legion saved an - Aug 14 2023

web feb 1 2008 mark antony s heroes how the third gallica legion saved an apostle and created an emperor dando collins stephen 9780470224533 amazon com books books history world buy new 13 72 list price 15 95 save 2 23 14 fast free

mark antony s heroes how the third gallica legion saved an - Sep 03 2022

web this fourth book in dando collins definitive history of rome s legions tells the story of rome s 3rd gallica legion which put vespasian on the throne and saved the life of the

mark antony s heroes how the third gallica legion saved an - Aug 02 2022

web buy mark antony s heroes how the third gallica legion saved an apostle and created an emperor by stephen dando collins online at alibris we have new and used copies

mark antony s heroes how the third gallica legion saved an - Apr 10 2023

web may 17 2016 buy mark antony s heroes how the third gallica legion saved an apostle and created an emperor unabridged by dando collins stephen fitzgibbon

mark antony s heroes how the third gallica legion saved an - Mar 29 2022

web buy a cheap copy of mark antony s heroes how the third book by stephen dando collins this fourth book in dando collins s definitive history of rome s legions tells the

mark antony s heroes how the third gallica legion - Mar 09 2023

web synopsis about this title about this edition this fourth book in dando collins s definitive history of rome s legions tells the story of rome s 3rd gallica legion which put

mark antony s heroes how the third gallica legion saved an - May 11 2023

web mar 11 2008 buy mark antony s heroes how the third gallica legion saved an apostle and created an emperor illustrated by dando collins stephen isbn

mark antony s heroes how the third gallica legion saved an - Dec 06 2022

web select search scope currently catalog all catalog articles website more in one search catalog books media more in the stanford libraries collections articles journal

mark antony s heroes how the third gallica legion - Jul 13 2023

web mark antony s heroes how the third gallica legion saved an apostle and created an emperor dando collins stephen free download borrow and streaming internet

mark antony s heroes how the third gallica legion saved an - Oct 24 2021

amazon com mark antony s heroes how the third - Nov 05 2022

web feb 1 2008 mark antony s heroes how the third gallica legion saved an apostle and created an emperor by stephen dando collins paperback first edition 15 95

mark antony s heroes how the third gallica legion saved an - Feb 08 2023

web this fourth book in dando collins s definitive history of rome s legions tells the story of rome s 3rd gallica legion which put vespasian on the throne and saved the life of the