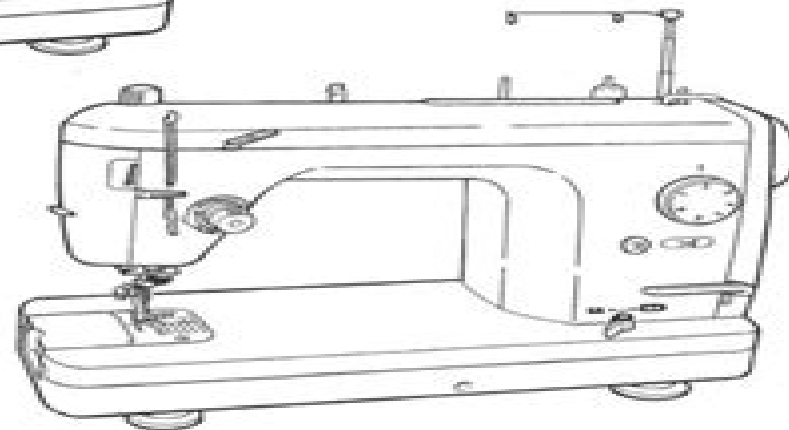
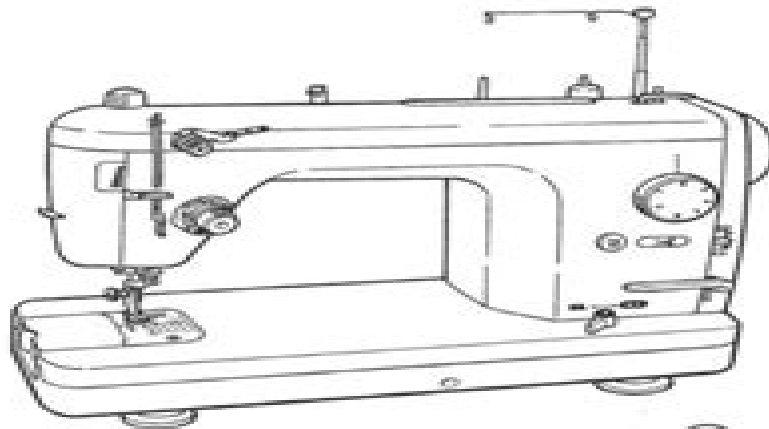


1-NEEDLE LOCKSTITCH SEWING MACHINE WITH
AUTOMATIC THREAD TRIMMER FOR PROFESSIONAL

TL-2010Q/2000Qi

SERVICE MANUAL



Juki Serger Machine Manual

WENDY. GARDINER



Juki Serger Machine Manual:

A Guide to Fashion Sewing Connie Amaden-Crawford,2015-03-12 A Guide to Fashion Sewing 5th Edition provides a comprehensive fashion sewing education for beginning and experienced sewers alike Readers will learn how to assemble and construct designs of various styles using proven industry methods for more than 100 sewing applications Chapters cover everything from sewing equipment measurements and pattern selection to actual garment assembly Filled with easy to follow step by step instructions and large clear illustrations this book is an indispensable resource for creating fashionable and professional looking garments *Textile Technology Digest* ,1998 *Threads Magazine* ,1994 *Knitting Times* ,1987-07

American Sportswear & Knitting Times ,1998 **American Perspectives on Learning Communities and Opportunities in the Maker Movement** Barker, Bradley S.,2019-01-11 The maker movement culture emphasizes informal peer led and shared learning while driving innovation Even though some experts view the maker movement as a move backward to pre industrial revolution manufacturing the purpose of making is not to have an abundance of tools in one space rather it is about helping participants create personally meaningful projects with the help of mentors experts and peers in ad hoc learning communities American Perspectives on Learning Communities and Opportunities in the Maker Movement is an essential reference source that discusses the maker movement in the United States artisanal perspectives and the learning through doing perspective Featuring research on topics such as educational spaces management creativity labs makerspaces and operating procedures this book is ideally designed for entrepreneurs artisans academicians researchers manufacturing professionals and students **The Sewing Bible** Ruth Singer,2008 A complete course on sewing from threading a needle to couture hemming Finally someone has created every sewer s ideal companion a comprehensive book on every aspect of hand and machine sewing from the most basic to the most advanced with a modern aesthetic and 20 projects to boot From simple tutorials to in depth masterclasses Ruth Singer packs in lesson after lesson on both practical and decorative techniques The Sewing Bible includes Easy to use instructions accompanied by hundreds of beautiful photographs detailing every stage of each technique 20 functional fashionable sewing projects that illustrate many of the lessons from an easy T shirt transformation to a complex handbag making this a how to guide and pattern book in one Extensive guides to fabrics and tools and resources to help you choose the perfect materials and equipment for your projects Advice on using organic and eco fabrics and working with recycled and vintage fabrics With more excitement than traditional sewing manuals and much more depth than a book of projects The Sewing Bible is an easy to use guide that s as attractive as it is comprehensive This is the one book you need whether you re a beginner an expert or anywhere in between **The Clothing & Footwear Journal** ,1979 **The Sewing Machine Manual** WENDY. GARDINER,2023-07-13 **Singer 4452 Heavy Duty Sewing Machine Instruction Manual** Taylor J Monroe,2025-08-04 NOTE This book is a practical user guide created for educational purposes only It is independently authored and not sponsored endorsed or approved by Singer Sewing Company Whether you re a

seasoned seamstress or a beginner just starting your sewing journey the Singer 4452 Heavy Duty Sewing Machine Instruction Manual is your ultimate guide to mastering one of the most reliable and robust sewing machines on the market This comprehensive guide is designed to help you get the most out of your Singer 4452 ensuring you have the knowledge and confidence to tackle any project no matter your skill level Why This Guide is Important Sewing with the Singer 4452 can be incredibly rewarding but it s only when you fully understand how to set up troubleshoot and optimize the machine that you can truly unlock its potential Many users struggle with basic setup making common mistakes that could easily be avoided with the right guidance This book eliminates confusion and empowers you to sew with confidence From setting up your machine to advanced techniques every chapter is packed with valuable information that ensures you get the results you re looking for The guide not only walks you through the setup process but also provides troubleshooting tips pro techniques and creative project ideas making it an invaluable resource for any sewing enthusiast What s Inside the Book Comprehensive Setup Instructions Step by step guidance on how to unbox assemble and thread your machine ensuring you re up and running in no time Pro Tips Expert advice to help you sew faster more accurately and with less frustration Learn how to handle heavy fabrics improve stitch quality and optimize your machine s settings for every project Troubleshooting Detailed solutions to the most common problems including skipped stitches thread tangles and tension issues Get your machine back on track with ease Advanced Techniques Take your sewing skills to the next level by mastering advanced techniques like quilting creating custom buttonholes and working with specialty fabrics like denim and leather Project Ideas Inspiration for your next project whether you re looking to make clothing home d cor or accessories Every technique you learn can be applied to real world projects bringing your creative ideas to life Clear Helpful Images Inside the book you ll find helpful images that illustrate the setup process maintenance steps and sewing techniques making it easy to follow along and execute tasks without confusion Who is This Guide For Beginners If you re new to sewing this guide breaks down the process into manageable steps from setting up your machine to mastering basic stitches It s written in a clear accessible way so you won t feel overwhelmed as you learn Intermediate Sewers For those with a bit of experience this book offers valuable tips to fine tune your technique speed up your sewing process and solve common issues that can disrupt your workflow Experienced Users Even seasoned seamstresses will find pro tips advanced sewing techniques and creative project ideas to help elevate their craft There s always something new to learn no matter how long you ve been sewing Perfect for sharing with friends family or anyone you know who owns or is considering the Singer 4452 Stock up now and make sewing easier more enjoyable and even more rewarding for yourself and others Grab your copy now and start sewing with confidence

This book delves into Juki Serger Machine Manual. Juki Serger Machine Manual is a vital topic that must be grasped by everyone, ranging from students and scholars to the general public. The book will furnish comprehensive and in-depth insights into Juki Serger Machine Manual, encompassing both the fundamentals and more intricate discussions.

1. This book is structured into several chapters, namely:
 - Chapter 1: Introduction to Juki Serger Machine Manual
 - Chapter 2: Essential Elements of Juki Serger Machine Manual
 - Chapter 3: Juki Serger Machine Manual in Everyday Life
 - Chapter 4: Juki Serger Machine Manual in Specific Contexts
 - Chapter 5: Conclusion
2. In chapter 1, this book will provide an overview of Juki Serger Machine Manual. This chapter will explore what Juki Serger Machine Manual is, why Juki Serger Machine Manual is vital, and how to effectively learn about Juki Serger Machine Manual.
3. In chapter 2, the author will delve into the foundational concepts of Juki Serger Machine Manual. This chapter will elucidate the essential principles that need to be understood to grasp Juki Serger Machine Manual in its entirety.
4. In chapter 3, the author will examine the practical applications of Juki Serger Machine Manual in daily life. This chapter will showcase real-world examples of how Juki Serger Machine Manual can be effectively utilized in everyday scenarios.
5. In chapter 4, the author will scrutinize the relevance of Juki Serger Machine Manual in specific contexts. The fourth chapter will explore how Juki Serger Machine Manual is applied in specialized fields, such as education, business, and technology.
6. In chapter 5, this book will draw a conclusion about Juki Serger Machine Manual. This chapter will summarize the key points that have been discussed throughout the book.

The book is crafted in an easy-to-understand language and is complemented by engaging illustrations. It is highly recommended for anyone seeking to gain a comprehensive understanding of Juki Serger Machine Manual.

https://staging.conocer.cide.edu/public/Resources/HomePages/fundamentals_of_human_physiology_4th_edition_by_lauralee_sherwood.pdf

Table of Contents Juki Serger Machine Manual

1. Understanding the eBook Juki Serger Machine Manual
 - The Rise of Digital Reading Juki Serger Machine Manual
 - Advantages of eBooks Over Traditional Books
2. Identifying Juki Serger Machine Manual
 - Exploring Different Genres
 - Considering Fiction vs. Non-Fiction
 - Determining Your Reading Goals
3. Choosing the Right eBook Platform
 - Popular eBook Platforms
 - Features to Look for in an Juki Serger Machine Manual
 - User-Friendly Interface
4. Exploring eBook Recommendations from Juki Serger Machine Manual
 - Personalized Recommendations
 - Juki Serger Machine Manual User Reviews and Ratings
 - Juki Serger Machine Manual and Bestseller Lists
5. Accessing Juki Serger Machine Manual Free and Paid eBooks
 - Juki Serger Machine Manual Public Domain eBooks
 - Juki Serger Machine Manual eBook Subscription Services
 - Juki Serger Machine Manual Budget-Friendly Options
6. Navigating Juki Serger Machine Manual eBook Formats
 - ePub, PDF, MOBI, and More
 - Juki Serger Machine Manual Compatibility with Devices
 - Juki Serger Machine Manual Enhanced eBook Features
7. Enhancing Your Reading Experience
 - Adjustable Fonts and Text Sizes of Juki Serger Machine Manual
 - Highlighting and Note-Taking Juki Serger Machine Manual
 - Interactive Elements Juki Serger Machine Manual
8. Staying Engaged with Juki Serger Machine Manual

- Joining Online Reading Communities
 - Participating in Virtual Book Clubs
 - Following Authors and Publishers Juki Serger Machine Manual
9. Balancing eBooks and Physical Books Juki Serger Machine Manual
- Benefits of a Digital Library
 - Creating a Diverse Reading Collection Juki Serger Machine Manual
10. Overcoming Reading Challenges
- Dealing with Digital Eye Strain
 - Minimizing Distractions
 - Managing Screen Time
11. Cultivating a Reading Routine Juki Serger Machine Manual
- Setting Reading Goals Juki Serger Machine Manual
 - Carving Out Dedicated Reading Time
12. Sourcing Reliable Information of Juki Serger Machine Manual
- Fact-Checking eBook Content of Juki Serger Machine Manual
 - Distinguishing Credible Sources
13. Promoting Lifelong Learning
- Utilizing eBooks for Skill Development
 - Exploring Educational eBooks
14. Embracing eBook Trends
- Integration of Multimedia Elements
 - Interactive and Gamified eBooks

Juki Serger Machine Manual Introduction

Juki Serger Machine Manual Offers over 60,000 free eBooks, including many classics that are in the public domain. Open Library: Provides access to over 1 million free eBooks, including classic literature and contemporary works. Juki Serger Machine Manual Offers a vast collection of books, some of which are available for free as PDF downloads, particularly older books in the public domain. Juki Serger Machine Manual : This website hosts a vast collection of scientific articles, books, and textbooks. While it operates in a legal gray area due to copyright issues, its a popular resource for finding various publications. Internet Archive for Juki Serger Machine Manual : Has an extensive collection of digital content, including

books, articles, videos, and more. It has a massive library of free downloadable books. Free-eBooks Juki Serger Machine Manual Offers a diverse range of free eBooks across various genres. Juki Serger Machine Manual Focuses mainly on educational books, textbooks, and business books. It offers free PDF downloads for educational purposes. Juki Serger Machine Manual Provides a large selection of free eBooks in different genres, which are available for download in various formats, including PDF. Finding specific Juki Serger Machine Manual, especially related to Juki Serger Machine Manual, might be challenging as they're often artistic creations rather than practical blueprints. However, you can explore the following steps to search for or create your own Online Searches: Look for websites, forums, or blogs dedicated to Juki Serger Machine Manual, Sometimes enthusiasts share their designs or concepts in PDF format. Books and Magazines Some Juki Serger Machine Manual books or magazines might include. Look for these in online stores or libraries. Remember that while Juki Serger Machine Manual, sharing copyrighted material without permission is not legal. Always ensure you're either creating your own or obtaining them from legitimate sources that allow sharing and downloading. Library Check if your local library offers eBook lending services. Many libraries have digital catalogs where you can borrow Juki Serger Machine Manual eBooks for free, including popular titles. Online Retailers: Websites like Amazon, Google Books, or Apple Books often sell eBooks. Sometimes, authors or publishers offer promotions or free periods for certain books. Authors Website Occasionally, authors provide excerpts or short stories for free on their websites. While this might not be the Juki Serger Machine Manual full book, it can give you a taste of the authors writing style. Subscription Services Platforms like Kindle Unlimited or Scribd offer subscription-based access to a wide range of Juki Serger Machine Manual eBooks, including some popular titles.

FAQs About Juki Serger Machine Manual Books

How do I know which eBook platform is the best for me? Finding the best eBook platform depends on your reading preferences and device compatibility. Research different platforms, read user reviews, and explore their features before making a choice. Are free eBooks of good quality? Yes, many reputable platforms offer high-quality free eBooks, including classics and public domain works. However, make sure to verify the source to ensure the eBook credibility. Can I read eBooks without an eReader? Absolutely! Most eBook platforms offer web-based readers or mobile apps that allow you to read eBooks on your computer, tablet, or smartphone. How do I avoid digital eye strain while reading eBooks? To prevent digital eye strain, take regular breaks, adjust the font size and background color, and ensure proper lighting while reading eBooks. What the advantage of interactive eBooks? Interactive eBooks incorporate multimedia elements, quizzes, and activities, enhancing the reader engagement and providing a more immersive learning experience. Juki Serger Machine Manual is one of the best book in our library for free trial. We provide copy of Juki Serger Machine Manual in digital format, so the

resources that you find are reliable. There are also many Ebooks of related with Juki Serger Machine Manual. Where to download Juki Serger Machine Manual online for free? Are you looking for Juki Serger Machine Manual PDF? This is definitely going to save you time and cash in something you should think about.

Find Juki Serger Machine Manual :

fundamentals of human physiology 4th edition by lauralee sherwood

fundamentals of corporate finance 9th edition mini case solutions

fundamentals of logic design 6th edition answers

[fungi concept map answers](#)

fundamentals of aerodynamics 5th edition solutions scribd

[fundamentals of nuclear reactor physics solutions manual](#)

fundamentals of modern astrophysics solutions manual

[funegravebres sans preacuteavis](#)

fundamentals of nutrition eating right for a healthier you

~~fundamentals thermodynamics richard e sonntag edition~~

~~fundamentals of corporate finance 5th edition~~

fuse box 03 crown vic

~~funza lushaka 2016 bursary nwu mafikeng campus~~

funny harley motorcycle cartoons

[furukawa rock breaker parts manual](#)

Juki Serger Machine Manual :

free l aquascaping un autre da c cor pour l aquarium - Jul 01 2022

web l aquascaping un autre da c cor pour l aquarium downloaded from ftp bonide com by guest marisa kirby outside the anthropological machine simon and schuster these

l aquascaping un autre da c cor pour l aquarium pdf copy - Mar 29 2022

web mar 8 2023 just invest tiny times to read this on line broadcast l aquascaping un autre da c cor pour l aquarium as competently as evaluation them wherever you are now

l aquascaping un autre da c cor pour l aquarium full pdf - Jun 12 2023

web l aquascaping un autre da c cor pour l aquarium 3 3 photographs and clear reliable advice sunken gardens is an essential introduction to a fascinating pastime strategies

l aquascaping définition et création d un aquarium planté - Nov 05 2022

web dec 2 2021 choisissez le en fonction de votre cuve solide si vous investissez dans une cuve xxl ou discret pour un nano aquarium afin que l aquascaping ressorte comme

comment réaliser son premier aquarium aquascaping - Jan 07 2023

web jan 9 2019 l aquascaping et ses paysages magnifiques grâce à un aquarium aquarilisimaginez un paysage naturel dans votre confort intérieur à portée de vue permanente

l aquascaping un autre da c cor pour l aquarium uniport edu - Feb 25 2022

web march 25th 2020 cor ge ch centre ornithologique cor genthod genève fenêtres de l avent contact accueil c est dans le district jura nord vaudois à km d yverdon les bains

l aquascaping un autre da c cor pour l aquarium - Jul 13 2023

web l aquascaping un autre da c cor pour l aquarium un mini jardin dans un aquarium may 27 2023 aquascaping ou l art de jardiner sous l eau sommaire les bases de

aquariophilie les bases pour débuter en aquascaping - Oct 04 2022

web l aquascaping pourrait être définie comme le fait d allier nature et art au sein d un aquarium en effet l objectif est simple même si complexe à réaliser avoir un aquarium 100 naturel le plus esthétique possible mais avant d aller plus loin voici un peu d histoire sommaire afficher

pdf l aquascaping un autre da c cor pour l aquarium - Mar 09 2023

web votre passion de l aquarium le grand guide de l aquarium feb 10 2022 un ouvrage clair et simple qui vous donne les clés indispensables pour réaliser et entretenir votre

l aquascaping un autre da c cor pour l aquarium pdf - Apr 10 2023

web l aquascaping un autre da c cor pour l aquarium downloaded from reports budgetbakers com by guest adrienne jordan the aquarium yale university

aquascaping l aquarium vu sous un autre angle youtube - Dec 06 2022

web jan 6 2022 l aquascaping une scène végétale dans un aquarium l aquascaping consiste à recréer un paysage miniature sous l eau dans un aquarium en utilisant des plantes aquatiques et des éléments de décor inertes comme du bois des rochers du sable un aquascape est donc un aquarium planté

l aquascaping un autre da c cor pour l aquarium pdf - Feb 08 2023

web l aquascaping un autre da c cor pour l aquarium 1 8 downloaded from uniport edu ng on april 13 2023 by guest l

aquascaping un autre da c cor pour l aquarium thank

l aquascaping un autre da c cor pour l aquarium pdf - Oct 24 2021

web jun 2 2023 l aquascaping un autre da c cor pour l aquarium 2 8 downloaded from uniport edu ng on june 2 2023 by

guest ethically impoverished views of the individual

l aquascaping un autre da c cor pour l aquarium pdf - May 31 2022

web l aquascaping un autre da c cor pour l aquarium 3 3 décoratifs 2 pages de listing poissons 2 pages de listing plantes 2 pages de listing roches et objets décoratifs 50 x 2

l aquascaping un autre da c cor pour l aquarium pdf - Nov 24 2021

web jul 21 2023 l aquascaping un autre da c cor pour l aquarium 1 7 downloaded from uniport edu ng on july 21 2023 by

guest could enjoy now is l aquascaping un autre

l aquascaping un autre da c cor pour l aquarium copy - Sep 22 2021

l aquascaping un autre da c cor pour l aquarium philip - Aug 14 2023

web get those all we present l aquascaping un autre da c cor pour l aquarium and numerous ebook collections from fictions to scientific research in any way in the course

l aquascaping un autre da c cor pour l aquarium pdf - May 11 2023

web l aquascaping un autre da c cor pour l aquarium 2 12 downloaded from uniport edu ng on july 17 2023 by guest across human society but despite the persistence within

l aquascaping un autre décor pour l aquarium by pascal bonetti - Jan 27 2022

web 4 l aquascaping un autre da c cor pour l aquarium 2022 11 17 fonctionnement de l aquarium filtre chauffage pompe à air faire vivre son aquarium nourrir ses

l aquascaping un autre da c cor pour l aquarium pdf - Aug 02 2022

web l aquascaping un autre da c cor pour l aquarium enigmes de la deuxieme epitre de paul aux corinthiens dec 21 2022 dr collange provides solutions to the exegetical

aquascaping l art de créer un aquarium naturel materiel - Sep 03 2022

web l aquascaping un autre da c cor pour l aquarium 2 9 downloaded from uniport edu ng on june 5 2023 by guest darkness archaeology shows us that over the whole human

l aquascaping un autre da c cor pour l aquarium pdf - Dec 26 2021

web apr 26 2023 pretentiousness to get those all we allow l aquascaping un autre da c cor pour l aquarium and numerous ebook collections from fictions to scientific research in

l aquascaping un autre da c cor pour l aquarium download - Apr 29 2022

web l aquascaping un autre da c cor pour l aquarium pdf when people should go to the ebook stores search introduction by shop shelf by shelf it is in fact problematic aquascaping un autre da c cor pour l aquarium pdf as you such as by searching the title publisher or authors of guide you truly want you can discover them rapidly in the

6th grade math jeopardy jeopardy template - May 08 2023

web 26 100 give the first 2 multiples of 7 14 and 21 100 is 42 divisible by 3 yes 100 3 4 2 5 100 the math book has 1533 pages is the first part and 1488 pages in the answer section how many pages does it have it has 3021 pages in total 200 12x11 132 200 4 and 8 is a factor pair of 32 200 which number is divisible by 2 and 4

eog practice test for sixth grade students math and reading - Nov 02 2022

web nov 9 2023 the north carolina state board of education provides free sample tests for the sixth grade eog in reading and math in addition to the tests you ll get answer keys and useful information about the eog

6th grade eog math review jeopardy template - Jul 10 2023

web 6th grade eog math review jeopardy template which quadrilateral has all four equal sides angles 4 right angles in a coordinate plane what is the distance between 3 5 and 3 8 5 8 divided by 1 2 write 5 4 5 as an improper fraction

eog test prep 6th grade teaching resources tpt - Apr 26 2022

web printable copies and self grading google forms 6th grade math test prep improve math scores on standardized tests using these practice tests for grade 6 includes 45 questions and answers these tests can be taken on paper print and go or online using self grading google forms

6th grade math mnsa eog practice jeopardy template - Aug 11 2023

web 6th grade math mnsa eog practice jeopardy template 3 24 2 7 write in standard form 500 20 1 02 005 solve 5 x 2 10 17 6th grade math 5 6th grade math 3 6th grade math 1 6th grade math 4 6th grade math 2 6th grade math 6 200 3 24 2 7 5 94 200 a shape that has two pairs of parallel lines is called what

6th grade eog review quiz 1 176 plays quizizz - May 28 2022

web 6th grade eog review quiz 1 quiz for 6th grade students find other quizzes for mathematics and more on quizizz for free **results for 6th grade eog practice tpt** - Mar 26 2022

web this is an eog math review for 6th grade math there are 13 calculator inactive questions both multiple choice and numeric entry there are 14 calculator active questions both multiple choice and numeric entry the worked out solution key is included with the download click here for terms of use

grade 6 mathematics north carolina end of grade assessment - Dec 03 2022

web end of grade assessment grade 6 mathematics grade 6 mathematics released form 1 go to the next page sample

questions s1 kerry walks 3 miles each day how far will she walk in 7 days a 10 miles b 14 miles c 21 miles d 24 miles s2 what number is represented by point p on the number line below

math eog practice 6th grade 127 plays quizizz - Feb 05 2023

web math eog practice 6th grade sreelakshmi sridhar 127 plays 39 questions copy edit live session assign show answers see preview multiple choice 2 minutes 1 pt add 8 64 7 098 10 9901 15 5281 16 84701 26 7281 27 611 multiple choice 2 minutes 1 pt use the equation below to answer the question $6x + 3 = 3 + 2x$

eog practice and studies center math6 org - Jun 28 2022

web bring the math teacher home with the free math6 org mathematics has never been made so easy with guided practices interactive video lessons practice quizzes tests online drills millionaire games and jeopardy style fun you will be the smartest kid in class

6th grade math eog review ratios and proportional relationships - Aug 31 2022

web may 11 2022 intro 6th grade math eog review ratios and proportional relationships ahlstem tutoring 193 subscribers subscribe 3 share 249 views 1 year ago 6th grade math eog review part 1 of

6th grade math eog review 392 plays quizizz - Jul 30 2022

web 6th grade math eog review quiz for 6th grade students find other quizzes for mathematics and more on quizizz for free

6th grade math eog review jeopardy template - Sep 12 2023

web 6th grade math eog review jeopardy template how do you change a fraction to a decimal what are the steps in dividing mixed numbers how do you change a decimal to a percent percent means per

sixth grade eog practice jeopardy template - Oct 13 2023

web find the base this is what the triangle sits on count from how many lines from point to point 6 units find the height how tall is it count the lines from the base to the point there are 5 units multiply 6×5 base \times height 30 square units then divide base \times height by 2 $30 \div 2 = 15$ u 2

eog practice worksheets for 6th grade students math and - Jan 04 2023

web nov 8 2023 there are 26 free worksheets available here in math and english language arts each worksheet will help your child with a specific skill a typical math worksheet from this site is bicycle math on this worksheet your child will use a calculator to solve word problems about distance and speed

eog mathematics grade 6 released form nc dpi - Oct 01 2022

web may 20 2021 eog mathematics grade 6 released form eog mathematics grade6 releasedform pdf pdf 2 24 mb july 25 2022 accountability services testing eog released tests

find jeopardy games about 6th grade math - Mar 06 2023

web nov 3 2023 tips results 10000 matching games 6th grade trivia 11 23 45 questions 6th grade math 6th grade extra 6th grade math 6th grade extra 6th grade math play edit print 2023 11 03 6th grade trivia clark 45 questions 6th grade math 6th grade science 6th grade ela 6th grade history 6th grade random 1 similar game play edit

6th grade math eog factile - Jun 09 2023

web 6th grade math eog you are turning on local settings these settings will apply for this game only and take precedence over global settings that are set on the customize page factilejeopardy style factile flashcards choice quiz bowl interactive choice

6th grade math jeopardy mashup math - Apr 07 2023

web this is 6th grade math jeopardy this free sixth grade math review game is a fun way to practice and review math topics including fractions decimals percents and more with your 6th graders you can use this math jeopardy 6th grade review game as an engaging classroom activity

results for eog math jeopardy tpt - Feb 22 2022

web there are 9 printable reading passages with 90 questions and answers 1 self grading google forms test for informational text 1 self grading google forms test for reading literature 2 math tests with 90 problems and answers that are printable and available in self grading google forms and 8 reading and math games w/ subjects

amazon co uk thanos rising board game - Sep 27 2022

web sep 2 2019 11 min read stop thanos from getting the infinity stones and wiping out half the universe read our review of thanos rising avengers infinity war to find out if this

uk mortgage arrears rise as high interest rates hit borrowers as - Sep 15 2021

web 5 hours ago the bank of england s chief economist has signalled that interest rates will not need to rise further as 5.25pc is already enough to bear down on inflation huw pill

amazon it recensioni clienti thanos rising english edition - Jan 20 2022

web 17 hours ago closing summary time for a recap the number of uk mortgages in arrears has jumped as the rise in interest rates since the end of 2021 hits households

thanos rising 2013 comic series marvel - Jun 05 2023

web sep 4 2019 thanos rising marvel select edition 2019 marvel 2019 series published in english united states price 24.99 usd 32.99 cad pages 144 on sale date 2019

thanos rising kindle comixology amazon com - Aug 27 2022

web thanos rising english edition ebook aaron jason simone bianchi bianchi simone bianchi simone amazon de kindle store

thanos rising series by jason aaron goodreads - May 04 2023

web sep 17 2019 [thanos scourge of the cosmos rises to dominance as the unrivaled rogue of wretchedness in this gripping tale of tragedy deceit and destiny witness the whiskey fad fades the chosun ilbo english edition daily](#) - Mar 10 2021

[thanos rising wikipedia](#) - Oct 29 2022

web thanos rising avengers infinity war advertisement includes team base card nidavellir team leader thor team deployment token green mjolnir asset card stormbreaker

thanos rising volume comic vine - Feb 18 2022

web 15 hours ago [downing street says it did not agree to content of article that accused met police of bias over protests suella braverman s future as home secretary appears to be](#)

thanos rising english edition ws 1 ps2pdf com - Dec 19 2021

web nov 5 2023 [what happened nov 6 nov 7 israel said it intends to retain security control of gaza for an indefinite period once its war with hamas ends prompting u s officials to](#)

thanos rising avengers infinity war nidavellir stormbreaker - Jul 26 2022

web apr 3 2013 [thanos rising is a five issue comic book limited series published by marvel comics that debuted on april 3 2013 as part of marvel now the series written by](#)

thanos rising 2013 1 comic issues marvel - Feb 01 2023

web thanos rising is a five issue comic book limited series published by marvel comics that debuted on april 3 2013 as part of marvel now the series written by jason aaron

[china s appeal is waning for u s companies citrix has joined](#) - Jul 14 2021

web november 08 2023 12 40 [the popularity of whiskey is waning as prices rise and koreans tighten their belts whiskey consumption surged in lockdown as more people drank alone](#)

[thanos rising marvel select edition by jason aaron simone](#) - Mar 02 2023

web thanos rising avengers infinity war is a cooperative dice and card game for 2 4 players in the game players will recruit heroes and assemble a team to face off against thanos

[thanos rising avengers infinity war english edition](#) - Nov 29 2022

web oct 29 2013 [collects thanos rising 1 5 kindle edition page 1 of 1 start over page 1 of 1 previous page 1 thanos rising 4 4 out of 5 stars 413 english united](#)

[thanos rising comic read thanos rising comic](#) - Sep 08 2023

web editions for thanos rising 0785184007 paperback published in 2013 1302369946 kindle edition published in 2013

8491673369 hardcover published in 2 home my

charities report rise in antisemitism and islamophobia at schools - Nov 17 2021

web 1 day ago cloud software group is ceasing all new commercial transactions in the country including hong kong it cited rising costs in the market

thanos rising captures the crossover fun of infinity war - Jul 06 2023

web thanos rising is a 5 issue limited series published by marvel comics that debuted on april 3 2013 as part of marvel now written by jason aaron with artwork by simone

braverman s future as home secretary in doubt as no 10 - Oct 17 2021

web 2 days ago last modified on tue 7 nov 2023 10 42 est more than 150 000 adults and children with type 1 diabetes in england and wales are to be offered an artificial

eternals thanos rising 1 review a grim reimagining of the - Dec 31 2022

web 1 48 of 254 results for thanos rising board game results amazon s choice usaopoly usodc011543 marvel thanos rising avengers infinity war mixed colours 651 4499

nhs to offer 150 000 people with type 1 diabetes an artificial - Jun 12 2021

web 1 day ago bank of england flags concerns over longer mortgages and rise in credit card use 10 oct 2023 it is concerning to watch uk disengage from the world says irish pm

thanos rising amazon com - Mar 22 2022

web 6 hours ago charities report rise in antisemitism and islamophobia at schools in england discrimination vandalism graffiti and abusive behaviour reported since outbreak of

thanos rising game review meeple mountain - Jun 24 2022

web sep 3 2019 volume published by marvel started in 2013 thanos rising last edited by pikahyper on 09 03 19 11 37pm view full history a five issue mini series telling the origin

gcd issue thanos rising marvel select edition - Apr 03 2023

web sep 15 2021 a brief departure from the currently ongoing eternals story arc thanos rising 1 is a grim reimagining of the origin of thanos the mad titan despite a lars

thanos rising wikiwand - Apr 22 2022

web 2 thanos rising english edition 2022 05 17 thanos rising english edition downloaded from ws 1 ps2pdf com by guest baker bartlett marvel s avengers

editions of thanos rising by jason aaron goodreads - Aug 07 2023

web recommended series browse the marvel comic series thanos rising 2013 check out individual issues and find out how to

read them

thanos rising avengers infinity war board game - Oct 09 2023

web in the game players recruit heroes and assemble a team to face off against thanos and his villainous forces in an effort to thwart him from accomplishing his master plan collecting

rise in mouth cancer deaths linked to nhs dentist shortages say - Apr 10 2021

interest rates do not need to rise again says bank economist - May 12 2021

israel hamas war the wall street journal - Aug 15 2021

web 1 day ago dentistry cuts blamed after figures show 46 increase in oral cancer deaths in england from 2011 to 2021 a sharp rise in deaths from mouth cancers over the last

brexit has hit uk s economic openness says bank of england - Feb 06 2021

thanos rising english edition kindle comixology amazon de - May 24 2022

web consultare utili recensioni cliente e valutazioni per thanos rising english edition su amazon it consultare recensioni obiettive e imparziali sui prodotti fornite dagli utenti