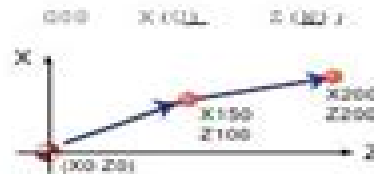


G00

G00(Positioning)

Each axes moves as much as commanded data in rapid feedrate.



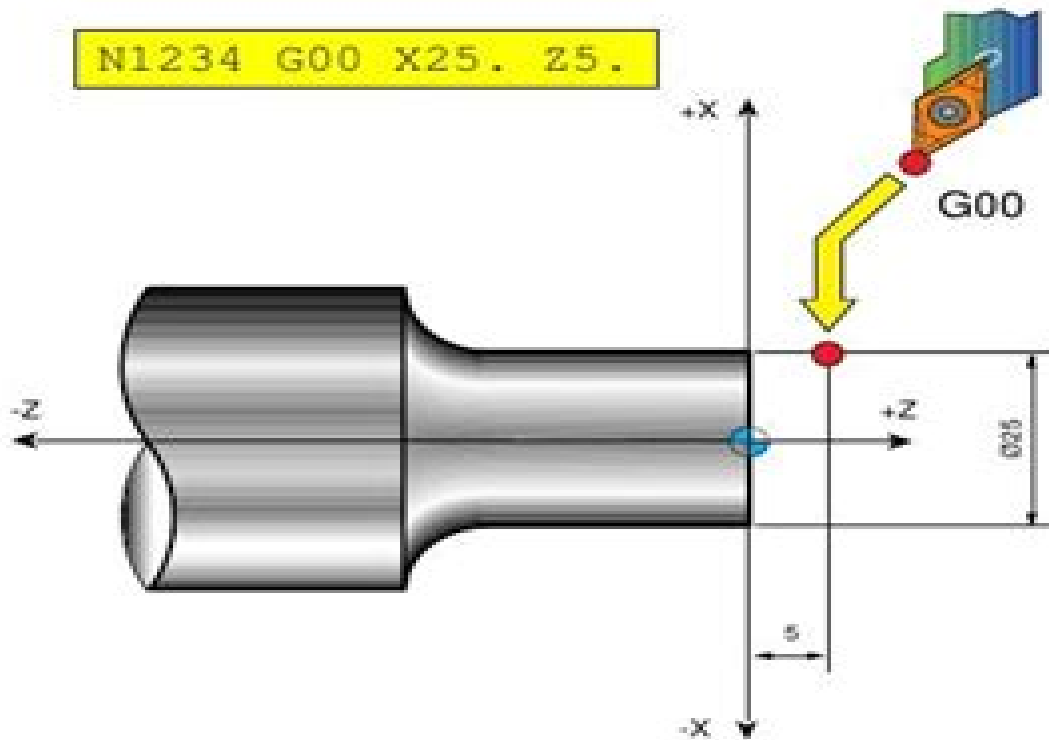
G00 X150.0 Z100.0

X200.0 Z200.0

G00 U150.0 W100.0

U50.0 W100.0

N1234 G00 X25. Z5.



Hardinge Fanuc Ot Maintenance Manual

Annelies Wilder-Smith



Hardinge Fanuc Ot Maintenance Manual:

Reviewing **Hardinge Fanuc Ot Maintenance Manual**: Unlocking the Spellbinding Force of Linguistics

In a fast-paced world fueled by information and interconnectivity, the spellbinding force of linguistics has acquired newfound prominence. Its capacity to evoke emotions, stimulate contemplation, and stimulate metamorphosis is really astonishing. Within the pages of "**Hardinge Fanuc Ot Maintenance Manual**," an enthralling opus penned by a highly acclaimed wordsmith, readers attempt an immersive expedition to unravel the intricate significance of language and its indelible imprint on our lives. Throughout this assessment, we shall delve in to the book is central motifs, appraise its distinctive narrative style, and gauge its overarching influence on the minds of its readers.

<https://staging.conocer.cide.edu/data/browse/fetch.php/holt%20science%20and%20technology%20physical%20science%20answer%20key.pdf>

Table of Contents Hardinge Fanuc Ot Maintenance Manual

1. Understanding the eBook Hardinge Fanuc Ot Maintenance Manual
 - The Rise of Digital Reading Hardinge Fanuc Ot Maintenance Manual
 - Advantages of eBooks Over Traditional Books
2. Identifying Hardinge Fanuc Ot Maintenance Manual
 - Exploring Different Genres
 - Considering Fiction vs. Non-Fiction
 - Determining Your Reading Goals
3. Choosing the Right eBook Platform
 - Popular eBook Platforms
 - Features to Look for in an Hardinge Fanuc Ot Maintenance Manual
 - User-Friendly Interface
4. Exploring eBook Recommendations from Hardinge Fanuc Ot Maintenance Manual
 - Personalized Recommendations
 - Hardinge Fanuc Ot Maintenance Manual User Reviews and Ratings

- Hardinge Fanuc Ot Maintenance Manual and Bestseller Lists
- 5. Accessing Hardinge Fanuc Ot Maintenance Manual Free and Paid eBooks
 - Hardinge Fanuc Ot Maintenance Manual Public Domain eBooks
 - Hardinge Fanuc Ot Maintenance Manual eBook Subscription Services
 - Hardinge Fanuc Ot Maintenance Manual Budget-Friendly Options
- 6. Navigating Hardinge Fanuc Ot Maintenance Manual eBook Formats
 - ePub, PDF, MOBI, and More
 - Hardinge Fanuc Ot Maintenance Manual Compatibility with Devices
 - Hardinge Fanuc Ot Maintenance Manual Enhanced eBook Features
- 7. Enhancing Your Reading Experience
 - Adjustable Fonts and Text Sizes of Hardinge Fanuc Ot Maintenance Manual
 - Highlighting and Note-Taking Hardinge Fanuc Ot Maintenance Manual
 - Interactive Elements Hardinge Fanuc Ot Maintenance Manual
- 8. Staying Engaged with Hardinge Fanuc Ot Maintenance Manual
 - Joining Online Reading Communities
 - Participating in Virtual Book Clubs
 - Following Authors and Publishers Hardinge Fanuc Ot Maintenance Manual
- 9. Balancing eBooks and Physical Books Hardinge Fanuc Ot Maintenance Manual
 - Benefits of a Digital Library
 - Creating a Diverse Reading Collection Hardinge Fanuc Ot Maintenance Manual
- 10. Overcoming Reading Challenges
 - Dealing with Digital Eye Strain
 - Minimizing Distractions
 - Managing Screen Time
- 11. Cultivating a Reading Routine Hardinge Fanuc Ot Maintenance Manual
 - Setting Reading Goals Hardinge Fanuc Ot Maintenance Manual
 - Carving Out Dedicated Reading Time
- 12. Sourcing Reliable Information of Hardinge Fanuc Ot Maintenance Manual
 - Fact-Checking eBook Content of Hardinge Fanuc Ot Maintenance Manual
 - Distinguishing Credible Sources

13. Promoting Lifelong Learning
 - Utilizing eBooks for Skill Development
 - Exploring Educational eBooks
14. Embracing eBook Trends
 - Integration of Multimedia Elements
 - Interactive and Gamified eBooks

Hardinge Fanuc Ot Maintenance Manual Introduction

In today's digital age, the availability of Hardinge Fanuc Ot Maintenance Manual books and manuals for download has revolutionized the way we access information. Gone are the days of physically flipping through pages and carrying heavy textbooks or manuals. With just a few clicks, we can now access a wealth of knowledge from the comfort of our own homes or on the go. This article will explore the advantages of Hardinge Fanuc Ot Maintenance Manual books and manuals for download, along with some popular platforms that offer these resources. One of the significant advantages of Hardinge Fanuc Ot Maintenance Manual books and manuals for download is the cost-saving aspect. Traditional books and manuals can be costly, especially if you need to purchase several of them for educational or professional purposes. By accessing Hardinge Fanuc Ot Maintenance Manual versions, you eliminate the need to spend money on physical copies. This not only saves you money but also reduces the environmental impact associated with book production and transportation. Furthermore, Hardinge Fanuc Ot Maintenance Manual books and manuals for download are incredibly convenient. With just a computer or smartphone and an internet connection, you can access a vast library of resources on any subject imaginable. Whether you're a student looking for textbooks, a professional seeking industry-specific manuals, or someone interested in self-improvement, these digital resources provide an efficient and accessible means of acquiring knowledge. Moreover, PDF books and manuals offer a range of benefits compared to other digital formats. PDF files are designed to retain their formatting regardless of the device used to open them. This ensures that the content appears exactly as intended by the author, with no loss of formatting or missing graphics. Additionally, PDF files can be easily annotated, bookmarked, and searched for specific terms, making them highly practical for studying or referencing. When it comes to accessing Hardinge Fanuc Ot Maintenance Manual books and manuals, several platforms offer an extensive collection of resources. One such platform is Project Gutenberg, a nonprofit organization that provides over 60,000 free eBooks. These books are primarily in the public domain, meaning they can be freely distributed and downloaded. Project Gutenberg offers a wide range of classic literature, making it an excellent resource for literature enthusiasts. Another popular platform for Hardinge Fanuc Ot Maintenance Manual books and manuals is Open Library. Open Library is an initiative of the Internet Archive, a non-profit organization dedicated to digitizing cultural

artifacts and making them accessible to the public. Open Library hosts millions of books, including both public domain works and contemporary titles. It also allows users to borrow digital copies of certain books for a limited period, similar to a library lending system. Additionally, many universities and educational institutions have their own digital libraries that provide free access to PDF books and manuals. These libraries often offer academic texts, research papers, and technical manuals, making them invaluable resources for students and researchers. Some notable examples include MIT OpenCourseWare, which offers free access to course materials from the Massachusetts Institute of Technology, and the Digital Public Library of America, which provides a vast collection of digitized books and historical documents. In conclusion, Hardinge Fanuc Ot Maintenance Manual books and manuals for download have transformed the way we access information. They provide a cost-effective and convenient means of acquiring knowledge, offering the ability to access a vast library of resources at our fingertips. With platforms like Project Gutenberg, Open Library, and various digital libraries offered by educational institutions, we have access to an ever-expanding collection of books and manuals. Whether for educational, professional, or personal purposes, these digital resources serve as valuable tools for continuous learning and self-improvement. So why not take advantage of the vast world of Hardinge Fanuc Ot Maintenance Manual books and manuals for download and embark on your journey of knowledge?

FAQs About Hardinge Fanuc Ot Maintenance Manual Books

What is a Hardinge Fanuc Ot Maintenance Manual PDF? A PDF (Portable Document Format) is a file format developed by Adobe that preserves the layout and formatting of a document, regardless of the software, hardware, or operating system used to view or print it. **How do I create a Hardinge Fanuc Ot Maintenance Manual PDF?** There are several ways to create a PDF: Use software like Adobe Acrobat, Microsoft Word, or Google Docs, which often have built-in PDF creation tools. Print to PDF: Many applications and operating systems have a "Print to PDF" option that allows you to save a document as a PDF file instead of printing it on paper. Online converters: There are various online tools that can convert different file types to PDF. **How do I edit a Hardinge Fanuc Ot Maintenance Manual PDF?** Editing a PDF can be done with software like Adobe Acrobat, which allows direct editing of text, images, and other elements within the PDF. Some free tools, like PDFescape or Smallpdf, also offer basic editing capabilities. **How do I convert a Hardinge Fanuc Ot Maintenance Manual PDF to another file format?** There are multiple ways to convert a PDF to another format: Use online converters like Smallpdf, Zamzar, or Adobe Acrobats export feature to convert PDFs to formats like Word, Excel, JPEG, etc. Software like Adobe Acrobat, Microsoft Word, or other PDF editors may have options to export or save PDFs in different formats. **How do I password-protect a Hardinge Fanuc Ot Maintenance Manual PDF?** Most PDF editing software allows you to add

password protection. In Adobe Acrobat, for instance, you can go to "File" -> "Properties" -> "Security" to set a password to restrict access or editing capabilities. Are there any free alternatives to Adobe Acrobat for working with PDFs? Yes, there are many free alternatives for working with PDFs, such as: LibreOffice: Offers PDF editing features. PDFsam: Allows splitting, merging, and editing PDFs. Foxit Reader: Provides basic PDF viewing and editing capabilities. How do I compress a PDF file? You can use online tools like Smallpdf, ILovePDF, or desktop software like Adobe Acrobat to compress PDF files without significant quality loss. Compression reduces the file size, making it easier to share and download. Can I fill out forms in a PDF file? Yes, most PDF viewers/editors like Adobe Acrobat, Preview (on Mac), or various online tools allow you to fill out forms in PDF files by selecting text fields and entering information. Are there any restrictions when working with PDFs? Some PDFs might have restrictions set by their creator, such as password protection, editing restrictions, or print restrictions. Breaking these restrictions might require specific software or tools, which may or may not be legal depending on the circumstances and local laws.

Find Hardinge Fanuc Ot Maintenance Manual :

~~holt science and technology physical science answer key~~

home depot hurricane guide

~~holt spanish assessment program answer key~~

holt psychology exam

~~homelite 330 chainsaw service manual~~

homedics ss 400b clock radios owners manual

~~holt science and technology chapter 7 review answers~~

~~homechoice pro manual~~

~~homelite chainsaw operators manual~~

~~holt spanish 1 cap 8 answer~~

holt pre algebra workbook answer key

~~holy rosary guide bisaya~~

~~holt science spectrum nuclear fission and fusion answers~~

~~holt science and technology section review answers~~

home builders and climate change report

Hardinge Fanuc Ot Maintenance Manual :

a companion to jorge luis borges monografías a steven boldy - Dec 27 2021

web a companion to jorge luis borges monografías a steven boldy call for proposals closed borrow if she only knew the cahills 1 by lisa jackson

a companion to jorge luis borges steven boldy google books - Oct 05 2022

web this companion has been designed for keen readers of borges whether they approach him in english orspanish within or outside a university context it takes his stories and essays of the

a companion to jorge luis borges monografías a volume - Sep 04 2022

web nov 15 2009 amazon com a companion to jorge luis borges monografías a volume 277 9781855661899 boldy steven books

the cambridge companion to jorge luis borges google books - Mar 30 2022

web dec 5 2013 jorge luis borges 1899 1986 was one of the great writers of the twentieth century and the most influential author in the spanish language of modern times he had a seminal influence on latin american literature and a lasting impact on literary fiction in many other languages however borges has been accessible in english only through a

a companion to jorge luis borges boydell and brewer - Jul 02 2022

web reviews an introduction to one of latin america s most important authors jorge luis borges is one of the key writers of the twentieth century in the context of both hispanic and world literature this companion has been designed for keen readers of borges whether they approach him in english orspanish within or outside a university context

the cambridge companion to jorge luis borges - Jan 08 2023

web 978 0 521 19339 9 the cambridge companion to jorge luis borges edited by edwin williamson companion jorge luis borges a companion to pablo neruda and the andes

a companion to jorge luis borges on jstor - Jul 14 2023

web jorge luis borges is one of the key writers of the twentieth century in the context of both hispanic and world literature this companion has been designed for front matter

a companion to jorge luis borges monografías a abebooks - Jun 13 2023

web jorge luis borges is one of the key writers of the twentieth century in the context of both hispanic and world literature this companion has been designed for keen readers of borges whether they approach him in english or spanish within or outside a university context it takes his stories and

life and literature a companion to jorge luis borges - May 12 2023

web a companion to jorge luis borges november 2009 skip to main content accessibility help we use cookies to distinguish

you from other users and to provide you with a better experience on our websites close this message to accept cookies or find out how to manage your cookie settings

a companion to jorge luis borges steven boldy google books - Jun 01 2022

web jorge luis borges is one of the key writers of the twentieth century in the context of both hispanic and world literature this companion has been designed for keen readers of borges whether they approach him in english or spanish within or outside a university context it takes his stories and essays of the forties and fifties especially ficciones and *a companion to jorge luis borges monografías a softcover* - Mar 10 2023

web jorge luis borges is one of the key writers of the twentieth century in the context of both hispanic and world literature this companion has been designed for keen readers of borges whether they approach him in english or spanish within or outside a university context it takes his stories and essays of the forties and fifties especially ficciones and [a companion to jorge luis borges overdrive](#) - Dec 07 2022

web nov 15 2009 jorge luis borges is one of the key writers of the twentieth century in the context of both hispanic and world literature this companion has been designed for keen readers of borges whether they approach him in english orspanish within or outsid

a companion to jorge luis borges ghent university library - Apr 30 2022

web mar 7 2023 jorge luis borges is one of the key writers of the twentieth century in the context of both hispanic and world literature this companion has been designed for keen readers of borges whether they approach him in english orspanish within or outside a university context

the cambridge companion to jorge luis borges - Apr 11 2023

web the primary aim of this companion is to provide a more comprehensive account of borges s oeuvre and the evolution of his writing it offers critical assessments by leading scholars of the poetry of his youth and the later poetry and fiction as well as of the canonical volumes of the middle years

a companion to jorge luis borges monografías a steven boldy - Feb 26 2022

web a companion to jorge luis borges monografías a steven boldy the passing of the armies an account of the final campaign of the army of the potomac joshua l chamberlain perla carolina de robertis tess of the d urbervilles by thomas hardy illustrated unabridged julie athletic training and sports medicine robert s behnke

a companion to jorge luis borges researchgate - Nov 06 2022

web mar 7 2023 download citation a companion to jorge luis borges an introduction to one of latin america s most important authors find read and cite all the research you need on researchgate

a companion to jorge luis borges monografías a 277 - Feb 09 2023

web abebooks com a companion to jorge luis borges monografías a 277 9781855662667 by boldy steven and a great selection of similar new used and collectible books available now at great prices a companion to jorge luis borges monografías a 277 boldy steven 9781855662667 abebooks

[a companion to jorge luis borges cambridge university press](#) - Aug 15 2023

web a companion to jorge luis borges a companion to jorge luis borges a companion to jorge luis borges search within full text get access check if you have access via personal or institutional login log in register series monografias a export citation recommend to librarian

a companion to jorge luis borges monografías a steven boldy - Jan 28 2022

web jul 21 2021 a companion to jorge luis borges monografías a steven boldy the armourer s prentices v 1 charlotte m yonge imagination dead imagine samuel beckett august wilson a literary companion mcfarland literary companions mary ellen snodgrass drugs across the spectrum raymond goldberg the age of erasmus

a companion to jorge luis borges universiteitsbibliotheek gent - Aug 03 2022

web mar 7 2023 jorge luis borges is one of the key writers of the twentieth century in the context of both hispanic and world literature this companion has been designed for keen readers of borges whether they approach him in english orspanish within or outside a university context

las serpientes snakes libros de national geographic para - Sep 07 2022

las serpientes snakes libros de national geographic para ninos national geographic kids readers by stewart melissa at abebooks co uk isbn 10 1426325967 isbn 13 9781426325960 natl geographic soc childrens books 2016 softcover

serpientes cuáles son venenosas y cuántos tipos hay - Apr 02 2022

las serpientes son un tipo de reptiles que se caracterizan principalmente por la carencia de patas su anatomía caracterizada por un cuerpo alargado está preparada para permitir un desplazamiento sin necesidad de extremidades pueden moverse cómodamente tanto por tierra como por agua

[national geographic readers las serpientes snakes](#) - Aug 18 2023

national geographic readers las serpientes snakes by melissa stewart 9781426325977 penguinrandomhouse com books aprende todo sobre las serpientes en este emocionante libro para niños está lleno de imágenes bellas e interesantes que les enseñan aprende todo sobre las serpientes en este emocionante libro para niños

national geographic readers las serpientes snakes - Mar 01 2022

reseña del libro national geographic readers las serpientes snakes aprende todo sobre las serpientes en este emocionante libro para niños está lleno de imágenes bellas e interesantes que les enseñan a los niños todo sobre estos animales asombrosos

national geographic readers las serpientes snakes - Sep 19 2023

national geographic readers las serpientes snakes stewart melissa amazon es libros libros infantil literatura y ficción 9 13 los precios incluyen iva entrega gratis entre el 21 de noviembre 4 de diciembre ver detalles elige tu dirección envió en 9 a 10 días cantidad añadir a la cesta comprar ya pago transacción segura envió desde

las serpientes snakes libros de national geographic para - Oct 08 2022

jul 19 2016 las serpientes snakes libros de national geographic para ninos national geographic kids readers 2 stewart melissa amazon co uk books

las serpientes snakes by melissa stewart overdrive - Nov 09 2022

jul 19 2016 aprende todo sobre las serpientes en este emocionante libro para niños está lleno de imágenes bellas e interesantes que les enseñan a los niños todo sobre estos animales asombrosos

las serpientes snakes libros de national geograph - Jun 04 2022

combines informational text facts maps and photographs to teach children about geography animals habitats endangered species and more national geographic 125 years dec 12 2022 a retrospective of the past 125 years of the national geographic society using photographs time lines maps and

national geographic readers las serpientes snakes hoopla - Aug 06 2022

read national geographic readers las serpientes snakes by melissa stewart for free on hoopla aprende todo sobre las serpientes en este emocionante libro para niños está lleno de imágenes bella hoopladigital com

national geographic readers las serpientes snakes epic - Jul 05 2022

national geographic readers las serpientes snakes kids book from the leading digital reading platform with a collection of 40 000 books from 250 of the world s best publishers read now on epic

national geographic readers las serpientes snakes apple - Feb 12 2023

jul 19 2016 aprende todo sobre las serpientes en este emocionante libro para niños está lleno de imágenes bellas e interesantes que les enseñan a los niños todo sobre estos animales asombrosos este libro de nivel 2 es apropiado para los primeros pasos de lectura independiente o para una experiencia de lectura

national geographic readers las serpientes snakes spanish - Mar 13 2023

jul 19 2016 aprende todo sobre las serpientes en este emocionante libro para niños está lleno de imágenes bellas e interesantes que les enseñan a los niños todo sobre estos animales asombrosos este libro de nivel 2 es apropiado para los primeros pasos de lectura independiente o para una experiencia de lectura en voz alta perfecto para motivar a

national geographic readers las serpientes snakes - Dec 10 2022

national geographic readers las serpientes snakes stewart melissa amazon es libros

national geographic readers las serpientes snakes epic - Jul 17 2023

national geographic readers las serpientes snakes kids book from the leading digital reading platform with a collection of 40 000 books from 250 of the world s best publishers read now on epic

national geographic readers las serpientes snakes - Jun 16 2023

national geographic readers las serpientes snakes stewart melissa amazon es libros

national geographic readers las serpientes snakes apple - Jan 11 2023

national geographic readers las serpientes snakes melissa stewart 3 99 descripción editorial aprende todo sobre las serpientes en este emocionante libro para niños está lleno de imágenes bellas e interesantes que les enseñan a los

national geographic readers las serpientes snakes - Apr 14 2023

national geographic readers las serpientes snakes stewart melissa amazon com mx libros

national geographic readers las serpientes snakes - May 15 2023

está lleno de imágenes bellas e interesantes que les enseñan a los niños todo sobre estos animales asombrosos este libro de nivel 2 es apropiado para los primeros pasos de lectura independiente o para una experiencia de lectura en voz alta perfecto para motivar a futuros científicos y exploradores

serpientes de ecuador snakes of ecuador nhbs - May 03 2022

serpientes de ecuador snakes of ecuador monograph series monografie di museo regionale di scienze naturali torino volume 11 by carlos pérez santos author ana g moreno author 538 pages 150 plates with colour photos 120 b w illustrations publisher museo regionale di scienze naturali

serpientes national geographic - Jan 31 2022

la serpiente arbórea marrón en la foto un ejemplar del zoo henry doorly en omaha puede alcanzar una longitud de tres metros serpientes national geographic revista nat geo

el gran libro del cuerpo humano la guia visual definitiva del autor - May 31 2022

web sep 8 2020 el gran libro del cuerpo humano la guia visual definitiva del autor alice roberts djvu txt 08 sep 2020 09 03 1 5m el gran libro del cuerpo humano la guia visual definitiva del autor alice roberts djvu xml 08 sep 2020 09 03 15 7m el gran libro del cuerpo humano la guia

gran atlas del cuerpo humano grandes atlas tapa dura - Dec 06 2022

web gran atlas del cuerpo humano grandes atlas regalado navarro gustavo cassan adolfo amazon es libros

comprar el gran libro del cuerpo humano segunda edición - Oct 04 2022

web comprar el gran libro del cuerpo humano segunda edición ampliada y actualizada de alice roberts buscalibre ver opiniones y comentarios compra y venta de libros importados novedades y bestsellers en tu librería online buscalibre México

y buscalibros

el gran libro del cuerpo humano the complete human body - Jul 13 2023

web sep 25 2018 con una sección de enfermedades y trastornos y explicaciones fáciles de entender el libro más completo en el mercado sobre la anatomía el desarrollo las funciones y los trastornos

el gran libro del cuerpo humano allen elise amazon com mx libros - Apr 29 2022

web el libro del cuerpo humano es una guía ilustrada que llevará a los niños de la mano por los principales órganos del cuerpo humano y les mostrará sus funciones entre ellos la piel los pulmones el corazón y los riñones

el gran libro del cuerpo humano the complete human body - Feb 08 2023

web sep 25 2018 el gran libro del cuerpo humano es un libro de referencia para toda la familia para estudiantes de anatomía y para profesionales de la medicina que desean explicar la anatomía a sus pacientes esta segunda edición completa y actualiza la exitosa edición anterior para incluir los últimos avances tecnológicos

el gran libro del cuerpo humano la guía visual definitiva - Aug 14 2023

web disfruta de miles de audiolibros y podcasts originales el gran libro del cuerpo humano la guía visual definitiva actualizada y ampliada segunda edición enciclopedia visual roberts alice dk amazon es libros

el gran libro del cuerpo humano pd librerías el sótano - Feb 25 2022

web el gran libro del cuerpo humano es un libro de referencia para toda la familia para estudiantes de anatomía y para profesionales de la medicina que desean explicar la anatomía a sus pacientes esta segunda edición completa y actualiza la exitosa edición anterior para incluir los últimos avances tecnológicos ver más

descargar el gran libro del cuerpo humano grandes libros de - Jun 12 2023

web 19 mar 2020 post a comment descargar pdf el gran libro del cuerpo humano grandes libros de referencia de adolfo cassan antonio Muñoz Tenllado pdf epub mobi gratis lee ahora descargar

el gran libro del cuerpo humano the complete human body - Mar 09 2023

web sep 25 2018 se destacan los aspectos más fascinantes del cuerpo humano con una sección de enfermedades y trastornos y explicaciones fáciles de entender el libro más completo en el mercado sobre la anatomía el desarrollo las funciones y los trastornos del cuerpo humano

el cuerpo humano by servilibro goodreads - Jul 01 2022

web el cuerpo humano by servilibro goodreads rare book

el gran libro del cuerpo humano dk varios autores 5 en libros - Mar 29 2022

web oct 16 2017 la guía visual definitiva actualizada y ampliada segunda edición conoce a fondo el cuerpo humano de los componentes de una célula a los complejos sistemas corporales explora la anatomía humana con gran detalle mediante

ilustraciones en 3d de tamaño natural e imaginología médica

el gran libro del cuerpo humano gran formato tapa - Sep 03 2022

web el gran libro del cuerpo humano gran formato tapa blanda 31 marzo 2015 de varios autores autor 4 6 18 valoraciones

ver todos los formatos y ediciones tapa blanda 367 49 1 de 2ª mano desde 367 49 isbn 10

el gran libro del cuerpo humano anatomía fisiología salud - Nov 05 2022

web el gran libro del cuerpo humano anatomía fisiología salud anatomy physiology health grandes libros de referencia cassan

adolfo muñoz tenllado antonio amazon es libros

el gran libro del cuerpo humano pasta dura 1 abril 2019 - Aug 02 2022

web la combinación de ilustraciones en 3d a tamaño natural e imágenes médicas muestra el cuerpo humano como nunca

antes lo habías visto el texto autoritativo y accesible explica su funcionamiento desde órganos a sistemas completos

incluyendo más de

el gran libro del cuerpo humano penguin libros - Apr 10 2023

web el gran libro del cuerpo humano es un libro de referencia para toda la familia para estudiantes de anatomía y para

profesionales de la medicina que desean explicar la anatomía a sus pacientes así como un buen regalo para cualquier

persona que quiera conocer en detalle cómo funciona el cuerpo humano

el gran libro del cuerpo humano the complete human body - Jan 27 2022

web se destacan los aspectos más fascinantes del cuerpo humano con una sección de enfermedades y trastornos y

explicaciones fáciles de entender el libro más completo en el mercado sobre la anatomía el desarrollo las funciones y

grandes libros de referencia el gran libro del cuerpo humano - May 11 2023

web may 25 2011 cuerpo humano esta obra resulta de la máxima utilidad para conocer los aspectos fundamentales de

nuestro organismo cómo está formado y cómo funciona cuáles son sus componentes y

pdf epub el gran libro del cuerpo humano segunda edici n - Jan 07 2023

web may 12 2023 el gran libro del cuerpo humano es un libro de referencia para toda la familia para estudiantes de

anatomía y para profesionales de la medicina que desean explicar la anatomía a sus pacientes

best pdf el gran libro del cuerpo humano the great book of - Sep 15 2023

web jun 18 2020 pdf download el gran libro del cuerpo humano the great book of the human body anatomía a fisiologí a

salud anatomy physiology health spanish edition read el gran libro del cuerpo humano the great book of the human body

anatomía a fisiologí a salud anatomy physiology health spanish edition best seller el gran