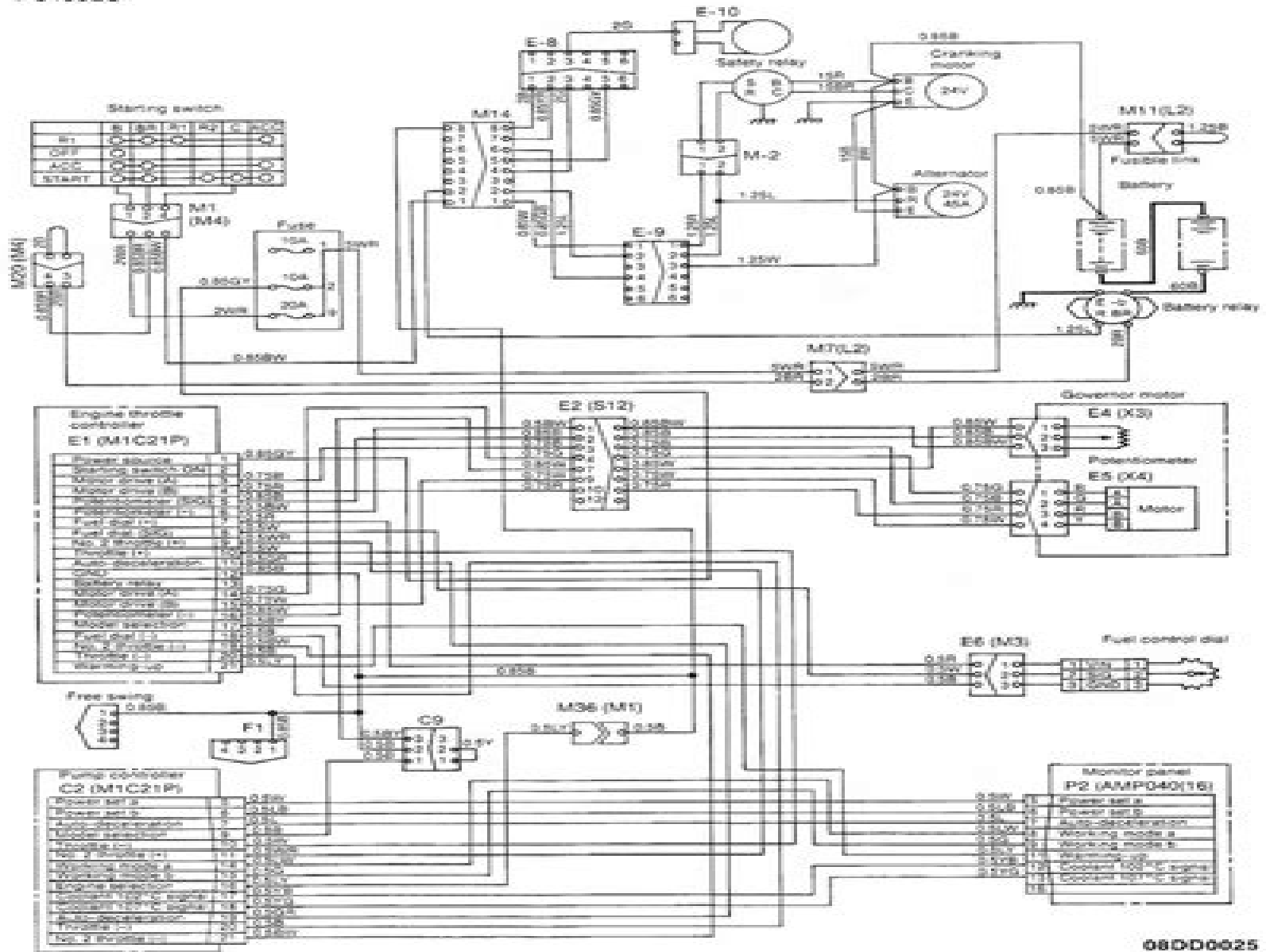


ELECTRICAL CIRCUIT DIAGRAM ENGINE THROTTLE CONTROLLER SYSTEM PC400LC



080D0025

Freightliner Custom Chassis Wiring Schematics

RS Peters



Freightliner Custom Chassis Wiring Schematics:

Yeah, reviewing a book **Freightliner Custom Chassis Wiring Schematics** could ensue your close contacts listings. This is just one of the solutions for you to be successful. As understood, execution does not suggest that you have astounding points.

Comprehending as competently as bargain even more than supplementary will find the money for each success. bordering to, the declaration as skillfully as acuteness of this Freightliner Custom Chassis Wiring Schematics can be taken as skillfully as picked to act.

https://staging.conocer.cide.edu/results/uploaded-files/Documents/Exploring_Ancient_Civilizations_11_Volumes_10_Plus_Index_Volume.pdf

Table of Contents Freightliner Custom Chassis Wiring Schematics

1. Understanding the eBook Freightliner Custom Chassis Wiring Schematics
 - The Rise of Digital Reading Freightliner Custom Chassis Wiring Schematics
 - Advantages of eBooks Over Traditional Books
2. Identifying Freightliner Custom Chassis Wiring Schematics
 - Exploring Different Genres
 - Considering Fiction vs. Non-Fiction
 - Determining Your Reading Goals
3. Choosing the Right eBook Platform
 - Popular eBook Platforms
 - Features to Look for in an Freightliner Custom Chassis Wiring Schematics
 - User-Friendly Interface
4. Exploring eBook Recommendations from Freightliner Custom Chassis Wiring Schematics
 - Personalized Recommendations
 - Freightliner Custom Chassis Wiring Schematics User Reviews and Ratings
 - Freightliner Custom Chassis Wiring Schematics and Bestseller Lists
5. Accessing Freightliner Custom Chassis Wiring Schematics Free and Paid eBooks

- Freightliner Custom Chassis Wiring Schematics Public Domain eBooks
 - Freightliner Custom Chassis Wiring Schematics eBook Subscription Services
 - Freightliner Custom Chassis Wiring Schematics Budget-Friendly Options
6. Navigating Freightliner Custom Chassis Wiring Schematics eBook Formats
 - ePub, PDF, MOBI, and More
 - Freightliner Custom Chassis Wiring Schematics Compatibility with Devices
 - Freightliner Custom Chassis Wiring Schematics Enhanced eBook Features
 7. Enhancing Your Reading Experience
 - Adjustable Fonts and Text Sizes of Freightliner Custom Chassis Wiring Schematics
 - Highlighting and Note-Taking Freightliner Custom Chassis Wiring Schematics
 - Interactive Elements Freightliner Custom Chassis Wiring Schematics
 8. Staying Engaged with Freightliner Custom Chassis Wiring Schematics
 - Joining Online Reading Communities
 - Participating in Virtual Book Clubs
 - Following Authors and Publishers Freightliner Custom Chassis Wiring Schematics
 9. Balancing eBooks and Physical Books Freightliner Custom Chassis Wiring Schematics
 - Benefits of a Digital Library
 - Creating a Diverse Reading Collection Freightliner Custom Chassis Wiring Schematics
 10. Overcoming Reading Challenges
 - Dealing with Digital Eye Strain
 - Minimizing Distractions
 - Managing Screen Time
 11. Cultivating a Reading Routine Freightliner Custom Chassis Wiring Schematics
 - Setting Reading Goals Freightliner Custom Chassis Wiring Schematics
 - Carving Out Dedicated Reading Time
 12. Sourcing Reliable Information of Freightliner Custom Chassis Wiring Schematics
 - Fact-Checking eBook Content of Freightliner Custom Chassis Wiring Schematics
 - Distinguishing Credible Sources
 13. Promoting Lifelong Learning
 - Utilizing eBooks for Skill Development

- Exploring Educational eBooks
14. Embracing eBook Trends
- Integration of Multimedia Elements
 - Interactive and Gamified eBooks

Freightliner Custom Chassis Wiring Schematics Introduction

Freightliner Custom Chassis Wiring Schematics Offers over 60,000 free eBooks, including many classics that are in the public domain. Open Library: Provides access to over 1 million free eBooks, including classic literature and contemporary works. Freightliner Custom Chassis Wiring Schematics Offers a vast collection of books, some of which are available for free as PDF downloads, particularly older books in the public domain. Freightliner Custom Chassis Wiring Schematics : This website hosts a vast collection of scientific articles, books, and textbooks. While it operates in a legal gray area due to copyright issues, its a popular resource for finding various publications. Internet Archive for Freightliner Custom Chassis Wiring Schematics : Has an extensive collection of digital content, including books, articles, videos, and more. It has a massive library of free downloadable books. Free-eBooks Freightliner Custom Chassis Wiring Schematics Offers a diverse range of free eBooks across various genres. Freightliner Custom Chassis Wiring Schematics Focuses mainly on educational books, textbooks, and business books. It offers free PDF downloads for educational purposes. Freightliner Custom Chassis Wiring Schematics Provides a large selection of free eBooks in different genres, which are available for download in various formats, including PDF. Finding specific Freightliner Custom Chassis Wiring Schematics, especially related to Freightliner Custom Chassis Wiring Schematics, might be challenging as theyre often artistic creations rather than practical blueprints. However, you can explore the following steps to search for or create your own Online Searches: Look for websites, forums, or blogs dedicated to Freightliner Custom Chassis Wiring Schematics, Sometimes enthusiasts share their designs or concepts in PDF format. Books and Magazines Some Freightliner Custom Chassis Wiring Schematics books or magazines might include. Look for these in online stores or libraries. Remember that while Freightliner Custom Chassis Wiring Schematics, sharing copyrighted material without permission is not legal. Always ensure youre either creating your own or obtaining them from legitimate sources that allow sharing and downloading. Library Check if your local library offers eBook lending services. Many libraries have digital catalogs where you can borrow Freightliner Custom Chassis Wiring Schematics eBooks for free, including popular titles. Online Retailers: Websites like Amazon, Google Books, or Apple Books often sell eBooks. Sometimes, authors or publishers offer promotions or free periods for certain books. Authors Website Occasionally, authors provide excerpts or short stories for free on their websites. While this might not be the Freightliner Custom Chassis Wiring Schematics full book , it can give you a taste of the authors writing style. Subscription Services Platforms like Kindle

Unlimited or Scribd offer subscription-based access to a wide range of Freightliner Custom Chassis Wiring Schematics eBooks, including some popular titles.

FAQs About Freightliner Custom Chassis Wiring Schematics Books

1. Where can I buy Freightliner Custom Chassis Wiring Schematics books? Bookstores: Physical bookstores like Barnes & Noble, Waterstones, and independent local stores. Online Retailers: Amazon, Book Depository, and various online bookstores offer a wide range of books in physical and digital formats.
2. What are the different book formats available? Hardcover: Sturdy and durable, usually more expensive. Paperback: Cheaper, lighter, and more portable than hardcovers. E-books: Digital books available for e-readers like Kindle or software like Apple Books, Kindle, and Google Play Books.
3. How do I choose a Freightliner Custom Chassis Wiring Schematics book to read? Genres: Consider the genre you enjoy (fiction, non-fiction, mystery, sci-fi, etc.). Recommendations: Ask friends, join book clubs, or explore online reviews and recommendations. Author: If you like a particular author, you might enjoy more of their work.
4. How do I take care of Freightliner Custom Chassis Wiring Schematics books? Storage: Keep them away from direct sunlight and in a dry environment. Handling: Avoid folding pages, use bookmarks, and handle them with clean hands. Cleaning: Gently dust the covers and pages occasionally.
5. Can I borrow books without buying them? Public Libraries: Local libraries offer a wide range of books for borrowing. Book Swaps: Community book exchanges or online platforms where people exchange books.
6. How can I track my reading progress or manage my book collection? Book Tracking Apps: Goodreads, LibraryThing, and Book Catalogue are popular apps for tracking your reading progress and managing book collections. Spreadsheets: You can create your own spreadsheet to track books read, ratings, and other details.
7. What are Freightliner Custom Chassis Wiring Schematics audiobooks, and where can I find them? Audiobooks: Audio recordings of books, perfect for listening while commuting or multitasking. Platforms: Audible, LibriVox, and Google Play Books offer a wide selection of audiobooks.
8. How do I support authors or the book industry? Buy Books: Purchase books from authors or independent bookstores. Reviews: Leave reviews on platforms like Goodreads or Amazon. Promotion: Share your favorite books on social media or recommend them to friends.
9. Are there book clubs or reading communities I can join? Local Clubs: Check for local book clubs in libraries or

community centers. Online Communities: Platforms like Goodreads have virtual book clubs and discussion groups.

10. Can I read Freightliner Custom Chassis Wiring Schematics books for free? Public Domain Books: Many classic books are available for free as they're in the public domain. Free E-books: Some websites offer free e-books legally, like Project Gutenberg or Open Library.

Find Freightliner Custom Chassis Wiring Schematics :

~~exploring ancient civilizations. 11 volumes—10 plus index volume.~~

~~expertise in nursing practice caring clinical judgment and ethics~~

explor mktg resch/websurvey/spss 12.0

experiments on decisions under risk the expected utility hypothesis

experts in action inside public relations longman series in public communication

exploring regions of latin america and canada

explore the world of man-made wonders

exploring my world my world series

exploding the myth of selfdefense a survival guide for every woman

explanation and linguistic change

exploring james joyce by prescott joseph

exposa 3 hardecover

expert systems techniques tools and applications a rand corporation research study

exploring logo without a computer

explorations into urban structure

Freightliner Custom Chassis Wiring Schematics :

Convince Them in 90 Seconds or Less: Make Instant ... But he doesn't stop there. This book shows how to turn those instant connections into long-lasting, productive business relationships."—Marty Edelston, ... Convince Them in 90 Seconds or Less: Make Instant ... Convince Them in 90 Seconds or Less: Make Instant Connections That Pay Off in Business and in Life · Paperback · \$13.95. Convince Them in 90 Seconds or Less This book teaches you about the snap judgments that are made in those first few instants and how you can make them work to your advantage. Once you're past ... How to Persuade People in 90 Seconds or Less May 27, 2010 — "Just adjust to useful attitudes, as opposed to useless attitudes," he says. "Useful might

be resourceful or welcoming, enthusiastic. Useless ... Convince Them in 90 Seconds Mar 11, 2021 — There are a number of rules to learn in order to establish a fruitful relationship. They are to make the other person talk, stay focused on what ...

Book review: Convince them in 90 seconds Aug 31, 2010 — Successful leaders share three really useful attitudes. They're enthusiastic. They're curious. And they embrace humility, with a public persona ... Convince Them in 90 Seconds or Less

Quotes It's much easier to be convincing if you care about your topic. Figure out what's important to you about your message and speak from the heart. Convince Them in 90 Seconds or Less: Make Instant ... May 26, 2010 — Convince Them in 90 Seconds or Less: Make Instant Connections That Pay Off in Business and in Life (Paperback). By Nicholas Boothman. \$13.95.

Convince Them in 90 Seconds or Less: Make Instant ... May 26, 2010 — Whether you're selling, negotiating, interviewing, networking, or leading a team, success depends on convincing other people - and ... Manual of Ovulation Induction and... by Allahbadia, Gautam Manual of Ovulation Induction and Ovarian Stimulation Protocols · Book overview. Brand New International Paper-back Edition Same as per description ... Allahbadia G., editor. The Manual of Ovulation Induction by DB Seifer · 2003 — This manual provides a good and succinct review of ovulation induction for the OB-GYN generalist who practices infertility and those currently in clinical ... Manual of Ovulation Induction & Ovarian Stimulation ... Manual of Ovulation Induction and Ovarian Stimulation Protocols encompasses all aspects of ovulation induction and current stimulation protocols in detail. Manual of Ovulation Induction: 9781904798422 This book covers all aspects of ovulation induction that a clinician needs to know including all known current stimulation protocols and induction strategies. Book Review: Manual of Ovulation Induction, 1st ed. Edited ... by E Confino · 2002 — Book Review: Manual of Ovulation Induction, 1st ed. Edited by Gautam Allahbadia, MD, DNB, Rotunda, Medical Technology, Ltd., Mumbai, India, 2001. A:1014797023782.pdf by E Confino · 2002 — Manual of Ovulation Induction, 1st ed. Edited by. Gautam Allahbadia ... The book thoroughly covers adjunctive treatments during ovulation ... Manual of Intrauterine Insemination and Ovulation Induction Reviews. "This is a thorough discussion of techniques and therapeutic options for using intrauterine insemination and ovulation induction for infertility ... Manual Of Ovulation Induction Ovarian Stimulation Full PDF Manual Of Ovulation Induction Ovarian Stimulation. 1. Manual Of Ovulation Induction Ovarian Stimulation. Manual Of Ovulation Induction Ovarian Stimulation. Manual intrauterine insemination and ovulation induction This is a comprehensive account of how to set up and run a successful IUI program. The book addresses the practical aspects of treatments that will produce ... Manual of Intrauterine Insemination and Ovulation Induction. A comprehensive and practical account of how to set up and run a successful IUI and ovulation induction program. The Synthesis Effect: Your Direct Path... by McGrail, John The Synthesis Effect provides simple, powerful, and clinically proven techniques for creating personal change and transformation while outlining a realistic ... The Synthesis Effect: Your Direct Path to Personal Power ... The Synthesis Effect provides simple, powerful, and clinically proven techniques for creating personal change and transformation while outlining a realistic ... The

Synthesis Effect: Your Direct Path to Personal Power ... The Synthesis Effect provides simple, powerful, and clinically proven techniques for creating personal change and transformation while outlining a realistic ... The Synthesis Effect (Your Direct Path to Personal Power ... The Synthesis Effect provides simple, powerful, and clinically proven techniques for creating personal change and transformation while outlining a realistic ... The Synthesis Effect: Your Direct Path to Personal Power ... The Synthesis Effect provides simple, powerful, and clinically proven techniques for creating personal change and transformation while outlining a realistic ... Shop The Synthesis Effect - Your Direct Path to Personal Power and Transformation. \$12.48 · Winning the Weighting Game Hypnosis for a Leaner Lighter You! \$89.00. The Synthesis Effect: Your Direct Path... book by John ... Cover for "The Synthesis Effect: Your Direct Path to Personal Power and Transformation" ... The Synthesis Effect: Your Direct Path to... by John McGrail. \$13.65 ... The Synthesis Effect - Your Direct Path to Personal Power ... Dr. John McGrail answers with an emphatic: "No. Anyone and everyone can create the life of their dreams." In The Synthesis Effect he shows you how. The Synthesis Effect Book by John McGrail Order The Synthesis Effect by John McGrail from Red Wheel/Weiser, your online bookstore for occult, spirituality, and personal growth books. The Synthesis Effect: Your Direct Path to Personal Power ... Jan 1, 2012 — "The Synthesis Effect" provides simple, powerful, and clinically proven techniques for creating personal change and transformation while ...