

# 5. Fuel System

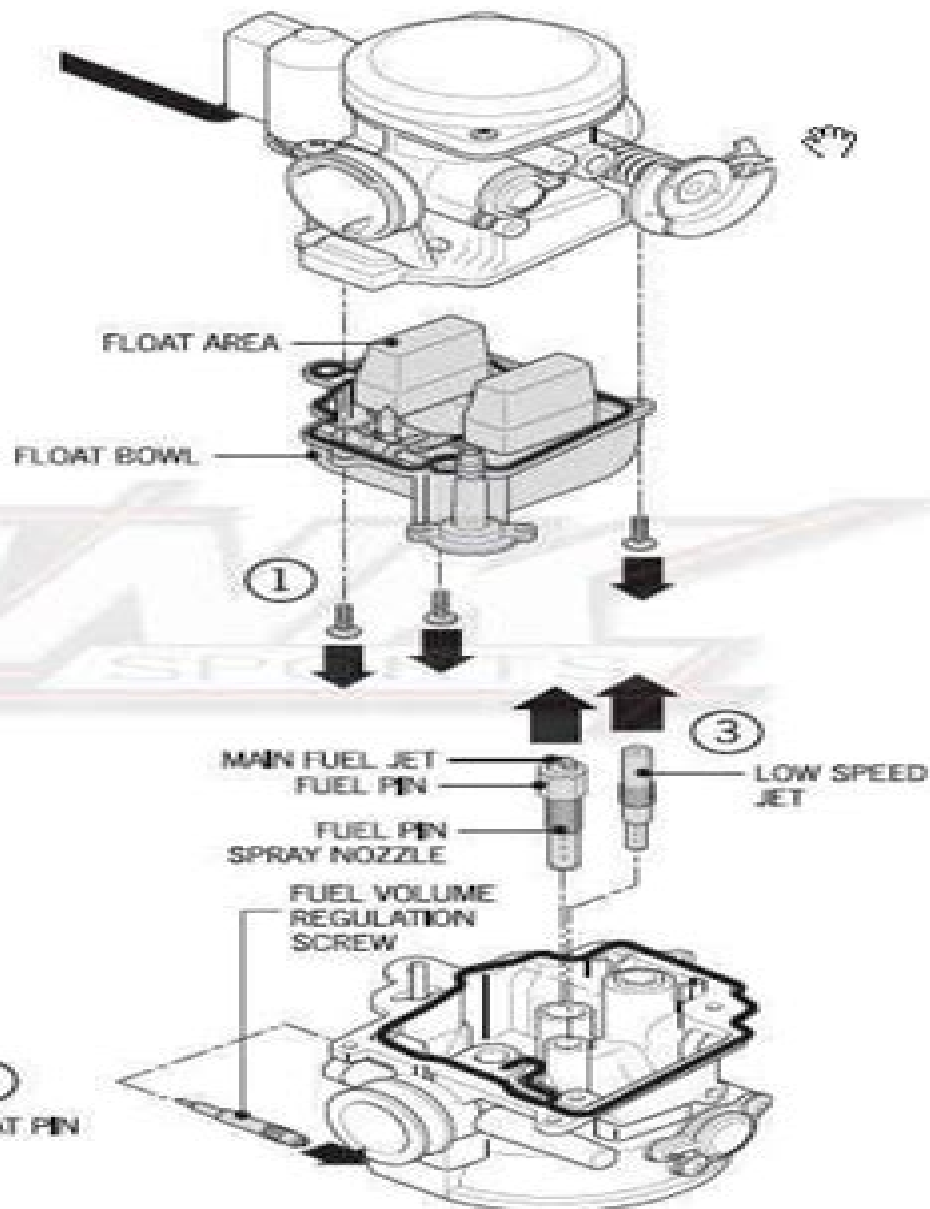
## Float Bowl

### Disassembling

1. Disassemble three screws and take off float bowl.
2. Remove float pin spring.
3. Remove high-speed jet, low-speed jet and fuel volume control screw.

- ⦿ Be careful not to break the fuel jets and control screw.
- ⦿ Count the turns when removing the fuel volume control screw.
- ⦿ When reinstalling jets and screws, do not over tighten.

4. Clean jets with solvent and compressed air.
5. Clean body of carburetor by blowing air through all passages.



# Jonway Adventure Manual

**Michael Brown**



## **Jonway Adventure Manual:**

## Unveiling the Power of Verbal Artistry: An Psychological Sojourn through **Jonway Adventure Manual**

In a world inundated with monitors and the cacophony of fast conversation, the profound energy and mental resonance of verbal art usually diminish into obscurity, eclipsed by the regular assault of noise and distractions. Yet, set within the lyrical pages of **Jonway Adventure Manual**, a captivating perform of fictional elegance that impulses with fresh thoughts, lies an wonderful trip waiting to be embarked upon. Written by a virtuoso wordsmith, this interesting opus courses viewers on a mental odyssey, lightly revealing the latent possible and profound impact embedded within the elaborate web of language. Within the heart-wrenching expanse of the evocative examination, we will embark upon an introspective exploration of the book is main subjects, dissect their charming publishing type, and immerse ourselves in the indelible impact it leaves upon the depths of readers souls.

<https://staging.conocer.cide.edu/data/book-search/index.jsp/Light%20Of%20The%20World%20Cross.pdf>

### **Table of Contents Jonway Adventure Manual**

1. Understanding the eBook Jonway Adventure Manual
  - The Rise of Digital Reading Jonway Adventure Manual
  - Advantages of eBooks Over Traditional Books
2. Identifying Jonway Adventure Manual
  - Exploring Different Genres
  - Considering Fiction vs. Non-Fiction
  - Determining Your Reading Goals
3. Choosing the Right eBook Platform
  - Popular eBook Platforms
  - Features to Look for in an Jonway Adventure Manual
  - User-Friendly Interface
4. Exploring eBook Recommendations from Jonway Adventure Manual
  - Personalized Recommendations

- Jonway Adventure Manual User Reviews and Ratings
- Jonway Adventure Manual and Bestseller Lists
- 5. Accessing Jonway Adventure Manual Free and Paid eBooks
  - Jonway Adventure Manual Public Domain eBooks
  - Jonway Adventure Manual eBook Subscription Services
  - Jonway Adventure Manual Budget-Friendly Options
- 6. Navigating Jonway Adventure Manual eBook Formats
  - ePub, PDF, MOBI, and More
  - Jonway Adventure Manual Compatibility with Devices
  - Jonway Adventure Manual Enhanced eBook Features
- 7. Enhancing Your Reading Experience
  - Adjustable Fonts and Text Sizes of Jonway Adventure Manual
  - Highlighting and Note-Taking Jonway Adventure Manual
  - Interactive Elements Jonway Adventure Manual
- 8. Staying Engaged with Jonway Adventure Manual
  - Joining Online Reading Communities
  - Participating in Virtual Book Clubs
  - Following Authors and Publishers Jonway Adventure Manual
- 9. Balancing eBooks and Physical Books Jonway Adventure Manual
  - Benefits of a Digital Library
  - Creating a Diverse Reading Collection Jonway Adventure Manual
- 10. Overcoming Reading Challenges
  - Dealing with Digital Eye Strain
  - Minimizing Distractions
  - Managing Screen Time
- 11. Cultivating a Reading Routine Jonway Adventure Manual
  - Setting Reading Goals Jonway Adventure Manual
  - Carving Out Dedicated Reading Time
- 12. Sourcing Reliable Information of Jonway Adventure Manual
  - Fact-Checking eBook Content of Jonway Adventure Manual

- Distinguishing Credible Sources
13. Promoting Lifelong Learning
    - Utilizing eBooks for Skill Development
    - Exploring Educational eBooks
  14. Embracing eBook Trends
    - Integration of Multimedia Elements
    - Interactive and Gamified eBooks

### **Jonway Adventure Manual Introduction**

Jonway Adventure Manual Offers over 60,000 free eBooks, including many classics that are in the public domain. Open Library: Provides access to over 1 million free eBooks, including classic literature and contemporary works. Jonway Adventure Manual Offers a vast collection of books, some of which are available for free as PDF downloads, particularly older books in the public domain. Jonway Adventure Manual : This website hosts a vast collection of scientific articles, books, and textbooks. While it operates in a legal gray area due to copyright issues, its a popular resource for finding various publications. Internet Archive for Jonway Adventure Manual : Has an extensive collection of digital content, including books, articles, videos, and more. It has a massive library of free downloadable books. Free-eBooks Jonway Adventure Manual Offers a diverse range of free eBooks across various genres. Jonway Adventure Manual Focuses mainly on educational books, textbooks, and business books. It offers free PDF downloads for educational purposes. Jonway Adventure Manual Provides a large selection of free eBooks in different genres, which are available for download in various formats, including PDF. Finding specific Jonway Adventure Manual, especially related to Jonway Adventure Manual, might be challenging as theyre often artistic creations rather than practical blueprints. However, you can explore the following steps to search for or create your own Online Searches: Look for websites, forums, or blogs dedicated to Jonway Adventure Manual, Sometimes enthusiasts share their designs or concepts in PDF format. Books and Magazines Some Jonway Adventure Manual books or magazines might include. Look for these in online stores or libraries. Remember that while Jonway Adventure Manual, sharing copyrighted material without permission is not legal. Always ensure youre either creating your own or obtaining them from legitimate sources that allow sharing and downloading. Library Check if your local library offers eBook lending services. Many libraries have digital catalogs where you can borrow Jonway Adventure Manual eBooks for free, including popular titles. Online Retailers: Websites like Amazon, Google Books, or Apple Books often sell eBooks. Sometimes, authors or publishers offer promotions or free periods for certain books. Authors Website Occasionally, authors provide excerpts or short stories for free on their websites. While this might not be the Jonway Adventure Manual full book , it can give you a taste of

the authors writing style. Subscription Services Platforms like Kindle Unlimited or Scribd offer subscription-based access to a wide range of Jonway Adventure Manual eBooks, including some popular titles.

### **FAQs About Jonway Adventure Manual Books**

How do I know which eBook platform is the best for me? Finding the best eBook platform depends on your reading preferences and device compatibility. Research different platforms, read user reviews, and explore their features before making a choice. Are free eBooks of good quality? Yes, many reputable platforms offer high-quality free eBooks, including classics and public domain works. However, make sure to verify the source to ensure the eBook credibility. Can I read eBooks without an eReader? Absolutely! Most eBook platforms offer webbased readers or mobile apps that allow you to read eBooks on your computer, tablet, or smartphone. How do I avoid digital eye strain while reading eBooks? To prevent digital eye strain, take regular breaks, adjust the font size and background color, and ensure proper lighting while reading eBooks. What the advantage of interactive eBooks? Interactive eBooks incorporate multimedia elements, quizzes, and activities, enhancing the reader engagement and providing a more immersive learning experience. Jonway Adventure Manual is one of the best book in our library for free trial. We provide copy of Jonway Adventure Manual in digital format, so the resources that you find are reliable. There are also many Ebooks of related with Jonway Adventure Manual. Where to download Jonway Adventure Manual online for free? Are you looking for Jonway Adventure Manual PDF? This is definitely going to save you time and cash in something you should think about. If you trying to find then search around for online. Without a doubt there are numerous these available and many of them have the freedom. However without doubt you receive whatever you purchase. An alternate way to get ideas is always to check another Jonway Adventure Manual. This method for see exactly what may be included and adopt these ideas to your book. This site will almost certainly help you save time and effort, money and stress. If you are looking for free books then you really should consider finding to assist you try this. Several of Jonway Adventure Manual are for sale to free while some are payable. If you arent sure if the books you would like to download works with for usage along with your computer, it is possible to download free trials. The free guides make it easy for someone to free access online library for download books to your device. You can get free download on free trial for lots of books categories. Our library is the biggest of these that have literally hundreds of thousands of different products categories represented. You will also see that there are specific sites catered to different product types or categories, brands or niches related with Jonway Adventure Manual. So depending on what exactly you are searching, you will be able to choose e books to suit your own need. Need to access completely for Campbell Biology Seventh Edition book? Access Ebook without any digging. And by having access to our ebook online or by storing it on your computer, you have convenient answers with

Jonway Adventure Manual To get started finding Jonway Adventure Manual, you are right to find our website which has a comprehensive collection of books online. Our library is the biggest of these that have literally hundreds of thousands of different products represented. You will also see that there are specific sites catered to different categories or niches related with Jonway Adventure Manual So depending on what exactly you are searching, you will be able to choose ebook to suit your own need. Thank you for reading Jonway Adventure Manual. Maybe you have knowledge that, people have search numerous times for their favorite readings like this Jonway Adventure Manual, but end up in harmful downloads. Rather than reading a good book with a cup of coffee in the afternoon, instead they juggled with some harmful bugs inside their laptop. Jonway Adventure Manual is available in our book collection an online access to it is set as public so you can download it instantly. Our digital library spans in multiple locations, allowing you to get the most less latency time to download any of our books like this one. Merely said, Jonway Adventure Manual is universally compatible with any devices to read.

### **Find Jonway Adventure Manual :**

#### **light of the world cross**

[lindsay anderson](#)

*lil ludwig*

[liliade dhomere chants 1 24 2vol](#)

~~lighting fires how the passionate teacher engages adolescent writers~~

*light scattering media optics*

#### **light la luce an introduction to creative imagination**

~~lindisfarne the cradle island~~

*lightning the history of the 78th infantry division*

~~lightning strikes once~~

[lillian d wald progressive activist](#)

#### **limiting conventional forces in europe**

#### **lightning incident**

*light dark and colour*

~~light to the isles missionary theology in celtic and anglo-saxon britain~~



**Jonway Adventure Manual :**

The Queen's Commonwealth Essay Competition The Queen's Commonwealth Essay Competition is the world's oldest international writing competition for schools, proudly delivered by the Royal Commonwealth ... Enter the QCEC2023 The Queen's Commonwealth Essay Competition is the world's oldest international writing competition for schools, proudly delivered by the Royal Commonwealth The Queen's Commonwealth Essay Prize Nov 16, 2023 — The Queen has celebrated 140 years of The Queen's Commonwealth Essay Prize with winners, supporters and a host of well-known writers at ... The Queen's Commonwealth Essay Competition 2023 We are delighted to share that the 2023 Queen's Commonwealth Essay Competition is open to entries for writers aged under 18, who are nationals or residents ... Royal Commonwealth Society | London QCEC Essay Competition enhances writing skills, fostering clarity, coherence, and effective communication. Royal Commonwealth Society ☐☐. The Queen's Commonwealth Essay Competition 2023 ... 386 likes, 8 comments - royalcwsociety on March 16, 2023: "The Queen's Commonwealth Essay Competition 2023 is now live! The theme for the #QCEC2023 is 'A .. Queen's Commonwealth Essay Competition 2024 (Prize + ... The Queen's Commonwealth Essay Competition 2024 is the world's oldest international writing competition for schools, established in 1883. With thousands of ... 140 years of The Queen's Commonwealth Essay Competition Queen's Essay Competition — Royal Commonwealth Society The competition is used by individuals and teachers to build confidence, develop writing skills, support creativity and encourage critical thinking, using ... The Queen's speech at The Queen's Commonwealth ... Nov 16, 2023 — The Queen's speech at The Queen's Commonwealth Essay Competition 2023. Published 16 November 2023. Well done to each and every one of you - you ... Holt Environmental Science - 1st Edition - Solutions and ... Our resource for Holt Environmental Science includes answers to chapter exercises, as well as detailed information to walk you through the process step by step. Holt Environmental Science Skills Worksheet Answer Key Fill Holt Environmental Science Skills Worksheet Answer Key, Edit online. Sign, fax and printable from PC, iPad, tablet or mobile with pdfFiller ... Environmental Science Active Reading Workbook HOLT ... Active reading workbook ; Read the passage below and answer the questions that follow. The decisions and actions of all people in the world affect our. Environmental Science: Chapter Tests with Answer Key Quantity: 1 ; Environmental Science · Chapter Tests with Answer Key ; Published by Holt, Rinehart & Winston, 2000 ; Filter by:Softcover (2) ; Condition · Good ... Environmental Science Each worksheet corresponds to a specific section of your textbook. When you ... Holt Environmental Science. 9. Tools of Environmental Science. Section: Making ... Name List and describe three human activities that affect the environment. Copyright by Holt, Rinehart and Winston. All rights reserved. Holt Environmental Science. Holt Science Florida Environmental Guide with Answer Key Book details ; Print length. 0 pages ; Language. English ; Publisher. HOLT RINEHART AND WINSTON ; Publication date. January 1, 2005 ; ISBN-10. 0030385369. Environmental Science: Chapter Tests with Answer Key Environmental Science: Chapter Tests with Answer Key [Holt, Rinehart, and Winston, Inc ... #4,558,978 in Books

(See Top 100 in Books). Important information. To ... Get Holt Environmental Science Map Skills Answer Key Complete Holt Environmental Science Map Skills Answer Key online with US Legal Forms. Easily fill out PDF blank, edit, and sign them. 168 Sample Report Card Comments (Plus a Printable ... Nov 17, 2023 — Use these sample report card comments for report cards. We have comments for everything you'd want to tell parents about their student. 107 Report Card Comments to Use and Adapt Mar 17, 2023 — For example, you'll be able to take a 1st grade number sense comment ... Write 50 report card comments for students studying social studies in 5th ... 125 Report Card Comments - Education World It's report card time and you face the prospect of writing constructive, insightful, and original comments on a couple dozen report cards or more. Report Card comments Feb 10, 2008 — I googled "report card comments" and found a few neat sites with good examples. Here is a list of just about every comment imaginable. 15 Best Report Card Comments Samples 6 days ago — Example Report Card Comments · 1. \_\_\_\_\_ is an excellent student who always comes prepared for class. · 2. \_\_\_\_\_ is a smart and inquisitive ... 100 Report Card Comments You Can Use Now 100 report card comments you can use right now! Provide valuable and insightful feedback to parents and students with this comprehensive list. 325 amazing report card comments and remarks to save ... Apr 4, 2022 — What's more difficult than creating your student report cards? Writing unique and meaningful report card comments. Creating report card ... Second quarter Report Card Comments. First Quarter. It has been a joy getting to know \_\_\_\_\_ this quarter. She is a kind and caring student who is always willing to ... 180 Report Card Comments for All Grades in 2023 May 4, 2023 — 180 Report Card Comments. Positive and negative report card comment demo. Copy to Text Blaze. enthusiastic positive always ready enthusiasm 2