

CAM NEEDLE BEARINGS

Removal

PART NO.	SPECIALTY TOOL
HD-42325-A	Camshaft needle bearing remover/installer

1. Obtain the CAMSHAFT NEEDLE BEARING REMOVER/INSTALLER (Part No. HD-42325-A).
2. See Figure 3-133. Remove four thumb screws (1) from threaded holes in support plate (2), if installed.
3. Sparingly apply graphite lubricant (9) to threads of collet (3) to prolong service life and ensure smooth operation.
4. Slide collet through support plate so that threaded end exits stamped side of plate.
5. Aligning two large holes in support plate with needle bearing bore, hang right side of plate on ring dowel in crankcase flange.
6. Align four holes at corners of support plate with threaded holes in crankcase flange. Install thumb screws in these holes to secure support plate to crankcase.
7. Center expandable end of collet in bearing bore and slide Nico bearing (7) and flat washer (5) on threaded end. Start hex nut (8) on threaded end.
8. Push expandable end of collet through bearing bore into flywheel compartment. Feel for inside edge of needle bearing using end of collet and then back off slightly.

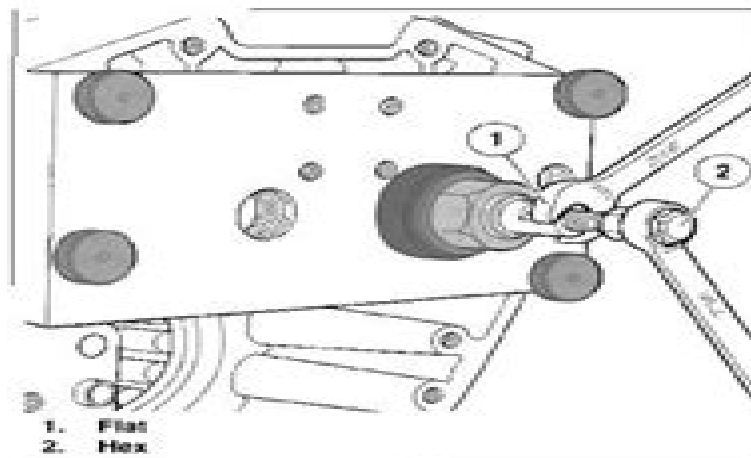


Figure 3-132. Expanding Collet By Turning Hex Clockwise

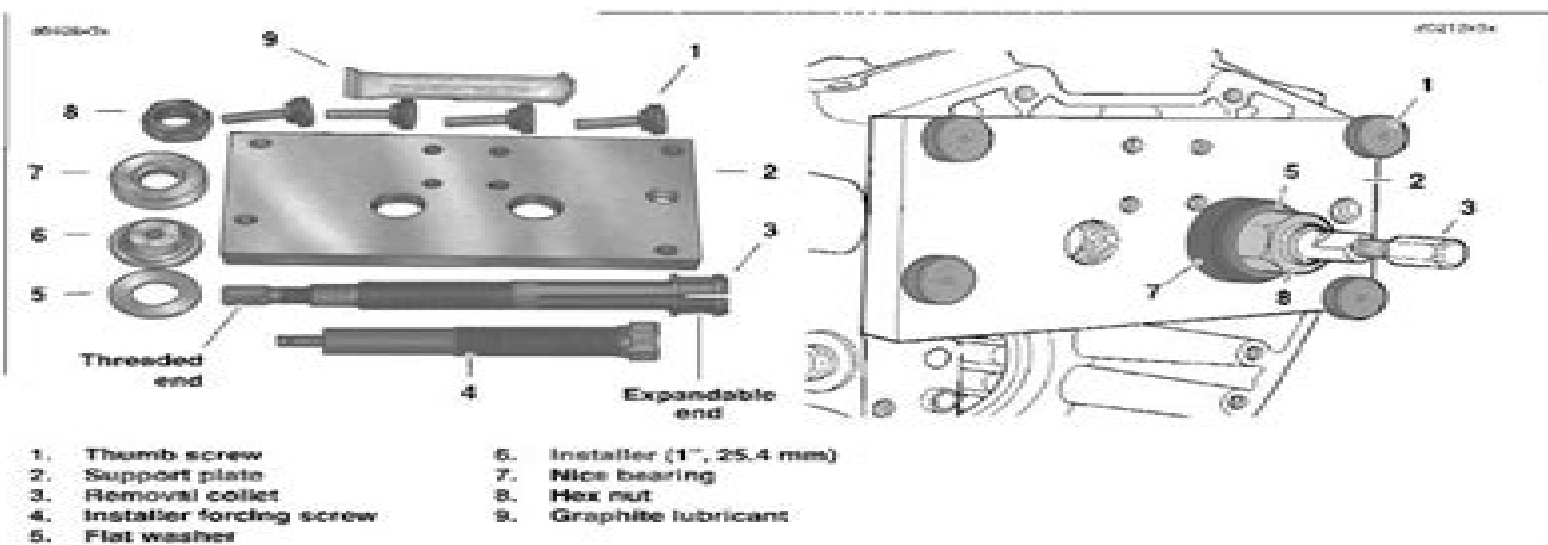


Figure 3-133. Camshaft Needle Bearing Remover/Installer (Part No. HD-42325)

Harley Flstn 2007 User Manual

J Spring



Harley Flstn 2007 User Manual:

Uncover the mysteries within its enigmatic creation, **Harley Flstn 2007 User Manual** . This downloadable ebook, shrouded in suspense, is available in a PDF format (Download in PDF: *). Dive into a world of uncertainty and anticipation. Download now to unravel the secrets hidden within the pages.

https://staging.conocer.cide.edu/results/browse/HomePages/essential_study_skills_custom_edition_for_ccacpb2000.pdf

Table of Contents Harley Flstn 2007 User Manual

1. Understanding the eBook Harley Flstn 2007 User Manual
 - The Rise of Digital Reading Harley Flstn 2007 User Manual
 - Advantages of eBooks Over Traditional Books
2. Identifying Harley Flstn 2007 User Manual
 - Exploring Different Genres
 - Considering Fiction vs. Non-Fiction
 - Determining Your Reading Goals
3. Choosing the Right eBook Platform
 - Popular eBook Platforms
 - Features to Look for in an Harley Flstn 2007 User Manual
 - User-Friendly Interface
4. Exploring eBook Recommendations from Harley Flstn 2007 User Manual
 - Personalized Recommendations
 - Harley Flstn 2007 User Manual User Reviews and Ratings
 - Harley Flstn 2007 User Manual and Bestseller Lists
5. Accessing Harley Flstn 2007 User Manual Free and Paid eBooks
 - Harley Flstn 2007 User Manual Public Domain eBooks
 - Harley Flstn 2007 User Manual eBook Subscription Services
 - Harley Flstn 2007 User Manual Budget-Friendly Options
6. Navigating Harley Flstn 2007 User Manual eBook Formats

- ePub, PDF, MOBI, and More
- Harley Flstn 2007 User Manual Compatibility with Devices
- Harley Flstn 2007 User Manual Enhanced eBook Features
- 7. Enhancing Your Reading Experience
 - Adjustable Fonts and Text Sizes of Harley Flstn 2007 User Manual
 - Highlighting and Note-Taking Harley Flstn 2007 User Manual
 - Interactive Elements Harley Flstn 2007 User Manual
- 8. Staying Engaged with Harley Flstn 2007 User Manual
 - Joining Online Reading Communities
 - Participating in Virtual Book Clubs
 - Following Authors and Publishers Harley Flstn 2007 User Manual
- 9. Balancing eBooks and Physical Books Harley Flstn 2007 User Manual
 - Benefits of a Digital Library
 - Creating a Diverse Reading Collection Harley Flstn 2007 User Manual
- 10. Overcoming Reading Challenges
 - Dealing with Digital Eye Strain
 - Minimizing Distractions
 - Managing Screen Time
- 11. Cultivating a Reading Routine Harley Flstn 2007 User Manual
 - Setting Reading Goals Harley Flstn 2007 User Manual
 - Carving Out Dedicated Reading Time
- 12. Sourcing Reliable Information of Harley Flstn 2007 User Manual
 - Fact-Checking eBook Content of Harley Flstn 2007 User Manual
 - Distinguishing Credible Sources
- 13. Promoting Lifelong Learning
 - Utilizing eBooks for Skill Development
 - Exploring Educational eBooks
- 14. Embracing eBook Trends
 - Integration of Multimedia Elements
 - Interactive and Gamified eBooks

Harley Flstn 2007 User Manual Introduction

In this digital age, the convenience of accessing information at our fingertips has become a necessity. Whether its research papers, eBooks, or user manuals, PDF files have become the preferred format for sharing and reading documents. However, the cost associated with purchasing PDF files can sometimes be a barrier for many individuals and organizations. Thankfully, there are numerous websites and platforms that allow users to download free PDF files legally. In this article, we will explore some of the best platforms to download free PDFs. One of the most popular platforms to download free PDF files is Project Gutenberg. This online library offers over 60,000 free eBooks that are in the public domain. From classic literature to historical documents, Project Gutenberg provides a wide range of PDF files that can be downloaded and enjoyed on various devices. The website is user-friendly and allows users to search for specific titles or browse through different categories. Another reliable platform for downloading Harley Flstn 2007 User Manual free PDF files is Open Library. With its vast collection of over 1 million eBooks, Open Library has something for every reader. The website offers a seamless experience by providing options to borrow or download PDF files. Users simply need to create a free account to access this treasure trove of knowledge. Open Library also allows users to contribute by uploading and sharing their own PDF files, making it a collaborative platform for book enthusiasts. For those interested in academic resources, there are websites dedicated to providing free PDFs of research papers and scientific articles. One such website is Academia.edu, which allows researchers and scholars to share their work with a global audience. Users can download PDF files of research papers, theses, and dissertations covering a wide range of subjects. Academia.edu also provides a platform for discussions and networking within the academic community. When it comes to downloading Harley Flstn 2007 User Manual free PDF files of magazines, brochures, and catalogs, Issuu is a popular choice. This digital publishing platform hosts a vast collection of publications from around the world. Users can search for specific titles or explore various categories and genres. Issuu offers a seamless reading experience with its user-friendly interface and allows users to download PDF files for offline reading. Apart from dedicated platforms, search engines also play a crucial role in finding free PDF files. Google, for instance, has an advanced search feature that allows users to filter results by file type. By specifying the file type as "PDF," users can find websites that offer free PDF downloads on a specific topic. While downloading Harley Flstn 2007 User Manual free PDF files is convenient, its important to note that copyright laws must be respected. Always ensure that the PDF files you download are legally available for free. Many authors and publishers voluntarily provide free PDF versions of their work, but its essential to be cautious and verify the authenticity of the source before downloading Harley Flstn 2007 User Manual. In conclusion, the internet offers numerous platforms and websites that allow users to download free PDF files legally. Whether its classic literature, research papers, or magazines, there is something for everyone. The platforms mentioned in this article, such as Project Gutenberg, Open Library, Academia.edu, and Issuu, provide access to a vast collection of PDF files. However, users

should always be cautious and verify the legality of the source before downloading Harley Flstn 2007 User Manual any PDF files. With these platforms, the world of PDF downloads is just a click away.

FAQs About Harley Flstn 2007 User Manual Books

How do I know which eBook platform is the best for me? Finding the best eBook platform depends on your reading preferences and device compatibility. Research different platforms, read user reviews, and explore their features before making a choice. Are free eBooks of good quality? Yes, many reputable platforms offer high-quality free eBooks, including classics and public domain works. However, make sure to verify the source to ensure the eBook credibility. Can I read eBooks without an eReader? Absolutely! Most eBook platforms offer web-based readers or mobile apps that allow you to read eBooks on your computer, tablet, or smartphone. How do I avoid digital eye strain while reading eBooks? To prevent digital eye strain, take regular breaks, adjust the font size and background color, and ensure proper lighting while reading eBooks. What the advantage of interactive eBooks? Interactive eBooks incorporate multimedia elements, quizzes, and activities, enhancing the reader engagement and providing a more immersive learning experience. Harley Flstn 2007 User Manual is one of the best book in our library for free trial. We provide copy of Harley Flstn 2007 User Manual in digital format, so the resources that you find are reliable. There are also many Ebooks of related with Harley Flstn 2007 User Manual. Where to download Harley Flstn 2007 User Manual online for free? Are you looking for Harley Flstn 2007 User Manual PDF? This is definitely going to save you time and cash in something you should think about.

Find Harley Flstn 2007 User Manual :

essential study skills custom edition for ccac;pb;2000

estate planning handbook with forms

essentials of leprosy

essential guide to prescription drugs 1997

essential spanish grammar

essex murders

estacion de infierno poesia barcelona spain 125

essentials of business stat.>intl.ed.<

etchers etching

essential jazz lines in the style of grant green for guitar
~~essentials federal income taxation for individuals and business 2003 edition~~
essentials of statistics for the social and behavioral sciences
~~estres y procesos de enfermedad~~
essentials of mass communication theory
~~estimating and analysis for commercial renovation~~

Harley Flstn 2007 User Manual :

The fighting man;: An illustrated history... by Coggins, Jack The fighting man;: An illustrated history of the world's greatest fighting forces through the ages ; Sold by ThriftBooks-Phoenix ; 978-1131691053. See all details ... An Illustrated History of the World's Greatest Fighting Appraises armies of the world, their equipment, leadership and battles, from antiquity to Vietnam. From inside the book ... The Fighting Man An Illustrated History Of The Worlds Greatest ... The Fighting Man An Illustrated History Of The Worlds Greatest Fighting Forces Through The Ages Pdf Pdf ... first African American armored unit to enter combat, ... Jack Coggins THE FIGHTING MAN An Illustrated History ... Jack Coggins THE FIGHTING MAN : An Illustrated History of the World's Greatest Fighting Forces through the Ages. 1st Edition 1st Printing. The fighting man an illustrated history of the world's ... Dec 4, 2016 — Read The fighting man an illustrated history of the world's greatest fighting forces through the ages by kiradiologija kiradiologija on ... The fighting man;: An illustrated... book by Jack Coggins Cover for "The fighting man;: An illustrated history of the world's greatest fighting ... By star and compass;: The story of navigation,. Jack Coggins. from ... The fighting man an illustrated history of the worlds greatest ... May 9, 2023 — Thank you very much for reading the fighting man an illustrated history of the worlds greatest fighting forces through the ages. an illustrated history of the world's greatest fighting forces ... Sep 9, 2010 — The fighting man; an illustrated history of the world's greatest fighting forces through the ages. by: Coggins, Jack. Publication date: 1966. The Fighting Man - An Illustrated History of the Worlds ... The Fighting Man - An Illustrated History of the Worlds Greatest Fighting Forces Through the Ages (Coggins). The Fighting Man - An Illustrated History of the ... The fighting man by Jack Coggins 1. Cover of: The fighting man. The fighting man: an illustrated history of the world's greatest fighting forces through the ages. 1966, Doubleday. in English. Kappa alpha psi scroller manual pdf: Fill out & sign online Edit, sign, and share kappa alpha psi scroller manual pdf online. No need to install software, just go to DocHub, and sign up instantly and for free. Kappa Alpha Psi Scroller Manual 1946 Phi Nu Pi ... This primer for the pledge offers history, exercises, and a test on the pledge's knowledge. This contains information not found in ANY of the history book ... The Scroller's Club Manual by Ricky of Shambala, via Flickr Jun 1, 2012 — Jun 2, 2012 - The Scroller's Club Manual by Ricky of Shambala, via Flickr. Winter Issue - National Founders Day The

fraternity originally published "The Scroller of Kappa Alpha Psi Fraternity, Inc. ... Scroller Club Manual. This manual was a guide which provided Scrollers ... The Scroller's Club Manual This book served as a guide for the pledging activities involved in preparing for initiation into Kappa Alpha Psi. Scrollers Club; Kappa Alpha PSI Fraternity Scrollers Club; Kappa Alpha PSI Fraternity ; T F P ; NYPL Catalog. This catalog provides online access to our holdings. Cataloging of the collection is ongoing ... 1964 SCROLLER CLUB HANDBOOK OF KAPPA ALPHA ... THE SCROLLER OF KAPPA ALPHA PSI edited by I W E Taylor, softbound, 108 pps., 6" by 9" cover, contents complete and binding good. Epub free Kappa alpha psi scrollers club manual (2023) Jun 9, 2023 — manual. Epub free Kappa alpha psi scrollers club manual (2023). The Scroller of Kappa Alpha Psi Fraternity, Inc Black Greek 101 Steppin' on ... Hymn Flashcards We'll keep thy faith and always will remember thee, dear scrollers club of noble Kappa Alpha Psi. ... KAPSI Study Guide. 138 terms. Profile Picture. Chili Cook Off Rules and Free Score Sheet Chili cook off rules and free score sheet, plus printable chili name cards, and ideas for how to host your own chili cook off. Chili Cook-Off Score sheet Chili Cook-Off Score sheet. Judges' Score Sheet. Score: 0 - 10 (10 is highest). Chili #: _____. Criteria. Criteria Thought Starters. Score. Taste. Chili should ... Chili Score Card Printable Chili Cook-Off Scorecard, Cook Off Competition Ranking Card, NO EDITING Required, Just Download & Print. (809). Sale Price \$3.60 ... chili cookoff scorecard CHILI COOKOFF SCORECARD. NAME: RATE ON A SCALE OF 1 5, 5 BEING THE BEST. AROMA: CREATIVITY: FLAVOR: TEXTURE: PRESENTATION:.. 7.7K+ Free Templates for 'Chili cook off scorecard template' Create free chili cook off scorecard template flyers, posters, social media graphics and videos in minutes. Choose from 7750+ eye-catching templates to wow ... Chili Cook Off Rules and Free Score Sheet Jan 5, 2017 - Chili cook off rules and free score sheet, plus printable chili name cards, and ideas for how to host your own chili cook off. Printable Chili Cook-Off Score Card Judges of a chili cookoff can use this set of note cards to assess the qualities of homemade chili based on appearance, smell, texture, and other factors. Hosting a Chili Cook-Off in 5 Easy Steps with Printables Jan 24, 2014 — Chili Cook Off Voting Ballots - Chili Score Cards - Chili - Rating Cards - Chili Contest - Annual Chili Cook Off-Printable - First to Third. Cookoff Score Cards Instant Download Chili Cook-Off Tasting and Rating Scorecard - White Background. (27). \$6.00.