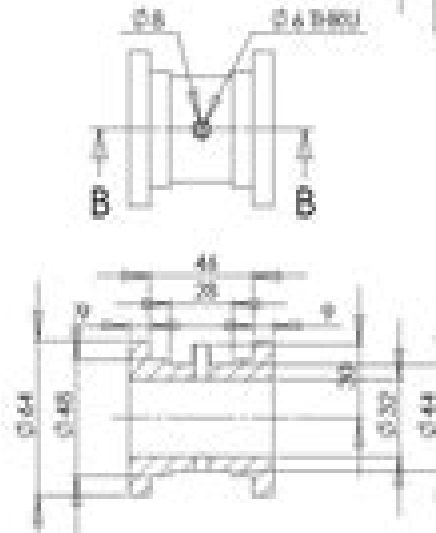
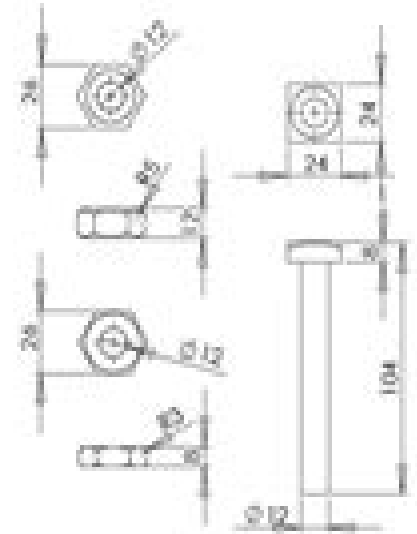


SECTION A-A



SECTION B-B



PART NAME: _____ PART NUMBER: _____ DATE: _____ DRAWN BY: _____ CHECKED BY: _____		QUANTITY: _____ UNIT: _____	
MATERIAL: _____ FINISH: _____ TOLERANCES: _____ DIMENSIONS: _____		S-Technology, Inc. 1100 1/2 St. George Ave. Cedar City, Cedar 84702	
SCALE: _____ SHEET NO.: _____ TOTAL SHEETS: _____		43	

Mechanical Autocad Assembly Drawing Practice

Wolfgang Guggemos



Mechanical Autocad Assembly Drawing Practice:

Getting the books **Mechanical Autocad Assembly Drawing Practice** now is not type of inspiring means. You could not only going once ebook accretion or library or borrowing from your contacts to entry them. This is an certainly easy means to specifically acquire lead by on-line. This online proclamation Mechanical Autocad Assembly Drawing Practice can be one of the options to accompany you past having supplementary time.

It will not waste your time. take me, the e-book will unconditionally publicize you further situation to read. Just invest tiny become old to get into this on-line pronouncement **Mechanical Autocad Assembly Drawing Practice** as capably as evaluation them wherever you are now.

<https://staging.conocer.cide.edu/public/publication/default.aspx/emergent%20literacy%20in%20kindergarten.pdf>

Table of Contents Mechanical Autocad Assembly Drawing Practice

1. Understanding the eBook Mechanical Autocad Assembly Drawing Practice
 - The Rise of Digital Reading Mechanical Autocad Assembly Drawing Practice
 - Advantages of eBooks Over Traditional Books
2. Identifying Mechanical Autocad Assembly Drawing Practice
 - Exploring Different Genres
 - Considering Fiction vs. Non-Fiction
 - Determining Your Reading Goals
3. Choosing the Right eBook Platform
 - Popular eBook Platforms
 - Features to Look for in an Mechanical Autocad Assembly Drawing Practice
 - User-Friendly Interface
4. Exploring eBook Recommendations from Mechanical Autocad Assembly Drawing Practice
 - Personalized Recommendations
 - Mechanical Autocad Assembly Drawing Practice User Reviews and Ratings
 - Mechanical Autocad Assembly Drawing Practice and Bestseller Lists

5. Accessing Mechanical Autocad Assembly Drawing Practice Free and Paid eBooks
 - Mechanical Autocad Assembly Drawing Practice Public Domain eBooks
 - Mechanical Autocad Assembly Drawing Practice eBook Subscription Services
 - Mechanical Autocad Assembly Drawing Practice Budget-Friendly Options
6. Navigating Mechanical Autocad Assembly Drawing Practice eBook Formats
 - ePub, PDF, MOBI, and More
 - Mechanical Autocad Assembly Drawing Practice Compatibility with Devices
 - Mechanical Autocad Assembly Drawing Practice Enhanced eBook Features
7. Enhancing Your Reading Experience
 - Adjustable Fonts and Text Sizes of Mechanical Autocad Assembly Drawing Practice
 - Highlighting and Note-Taking Mechanical Autocad Assembly Drawing Practice
 - Interactive Elements Mechanical Autocad Assembly Drawing Practice
8. Staying Engaged with Mechanical Autocad Assembly Drawing Practice
 - Joining Online Reading Communities
 - Participating in Virtual Book Clubs
 - Following Authors and Publishers Mechanical Autocad Assembly Drawing Practice
9. Balancing eBooks and Physical Books Mechanical Autocad Assembly Drawing Practice
 - Benefits of a Digital Library
 - Creating a Diverse Reading Collection Mechanical Autocad Assembly Drawing Practice
10. Overcoming Reading Challenges
 - Dealing with Digital Eye Strain
 - Minimizing Distractions
 - Managing Screen Time
11. Cultivating a Reading Routine Mechanical Autocad Assembly Drawing Practice
 - Setting Reading Goals Mechanical Autocad Assembly Drawing Practice
 - Carving Out Dedicated Reading Time
12. Sourcing Reliable Information of Mechanical Autocad Assembly Drawing Practice
 - Fact-Checking eBook Content of Mechanical Autocad Assembly Drawing Practice
 - Distinguishing Credible Sources
13. Promoting Lifelong Learning

- Utilizing eBooks for Skill Development
 - Exploring Educational eBooks
14. Embracing eBook Trends
- Integration of Multimedia Elements
 - Interactive and Gamified eBooks

Mechanical Autocad Assembly Drawing Practice Introduction

Free PDF Books and Manuals for Download: Unlocking Knowledge at Your Fingertips In today's fast-paced digital age, obtaining valuable knowledge has become easier than ever. Thanks to the internet, a vast array of books and manuals are now available for free download in PDF format. Whether you are a student, professional, or simply an avid reader, this treasure trove of downloadable resources offers a wealth of information, conveniently accessible anytime, anywhere. The advent of online libraries and platforms dedicated to sharing knowledge has revolutionized the way we consume information. No longer confined to physical libraries or bookstores, readers can now access an extensive collection of digital books and manuals with just a few clicks. These resources, available in PDF, Microsoft Word, and PowerPoint formats, cater to a wide range of interests, including literature, technology, science, history, and much more. One notable platform where you can explore and download free Mechanical Autocad Assembly Drawing Practice PDF books and manuals is the internet's largest free library. Hosted online, this catalog compiles a vast assortment of documents, making it a veritable goldmine of knowledge. With its easy-to-use website interface and customizable PDF generator, this platform offers a user-friendly experience, allowing individuals to effortlessly navigate and access the information they seek. The availability of free PDF books and manuals on this platform demonstrates its commitment to democratizing education and empowering individuals with the tools needed to succeed in their chosen fields. It allows anyone, regardless of their background or financial limitations, to expand their horizons and gain insights from experts in various disciplines. One of the most significant advantages of downloading PDF books and manuals lies in their portability. Unlike physical copies, digital books can be stored and carried on a single device, such as a tablet or smartphone, saving valuable space and weight. This convenience makes it possible for readers to have their entire library at their fingertips, whether they are commuting, traveling, or simply enjoying a lazy afternoon at home. Additionally, digital files are easily searchable, enabling readers to locate specific information within seconds. With a few keystrokes, users can search for keywords, topics, or phrases, making research and finding relevant information a breeze. This efficiency saves time and effort, streamlining the learning process and allowing individuals to focus on extracting the information they need. Furthermore, the availability of free PDF books and manuals fosters a culture of continuous learning. By removing financial barriers, more people can access educational resources and

pursue lifelong learning, contributing to personal growth and professional development. This democratization of knowledge promotes intellectual curiosity and empowers individuals to become lifelong learners, promoting progress and innovation in various fields. It is worth noting that while accessing free Mechanical Autocad Assembly Drawing Practice PDF books and manuals is convenient and cost-effective, it is vital to respect copyright laws and intellectual property rights. Platforms offering free downloads often operate within legal boundaries, ensuring that the materials they provide are either in the public domain or authorized for distribution. By adhering to copyright laws, users can enjoy the benefits of free access to knowledge while supporting the authors and publishers who make these resources available. In conclusion, the availability of Mechanical Autocad Assembly Drawing Practice free PDF books and manuals for download has revolutionized the way we access and consume knowledge. With just a few clicks, individuals can explore a vast collection of resources across different disciplines, all free of charge. This accessibility empowers individuals to become lifelong learners, contributing to personal growth, professional development, and the advancement of society as a whole. So why not unlock a world of knowledge today? Start exploring the vast sea of free PDF books and manuals waiting to be discovered right at your fingertips.

FAQs About Mechanical Autocad Assembly Drawing Practice Books

How do I know which eBook platform is the best for me? Finding the best eBook platform depends on your reading preferences and device compatibility. Research different platforms, read user reviews, and explore their features before making a choice. Are free eBooks of good quality? Yes, many reputable platforms offer high-quality free eBooks, including classics and public domain works. However, make sure to verify the source to ensure the eBook credibility. Can I read eBooks without an eReader? Absolutely! Most eBook platforms offer web-based readers or mobile apps that allow you to read eBooks on your computer, tablet, or smartphone. How do I avoid digital eye strain while reading eBooks? To prevent digital eye strain, take regular breaks, adjust the font size and background color, and ensure proper lighting while reading eBooks. What the advantage of interactive eBooks? Interactive eBooks incorporate multimedia elements, quizzes, and activities, enhancing the reader engagement and providing a more immersive learning experience. Mechanical Autocad Assembly Drawing Practice is one of the best book in our library for free trial. We provide copy of Mechanical Autocad Assembly Drawing Practice in digital format, so the resources that you find are reliable. There are also many Ebooks of related with Mechanical Autocad Assembly Drawing Practice. Where to download Mechanical Autocad Assembly Drawing Practice online for free? Are you looking for Mechanical Autocad Assembly Drawing Practice PDF? This is definitely going to save you time and cash in something you should think about.

Find Mechanical Autocad Assembly Drawing Practice :

emergent literacy in kindergarten

employment groups the counseling connection

emerging issues in forensic psychology from clinic to the courthouse

emissary of light a vision of peace

employment law cases and materials second edition 1998

employee invention laws in various foreign countries

emil i lonneberga

en espanol rapid success in spanish for beginners language immersion institute series

employment law in practice blackstone bar manual

emotional factors in learning.

emerging diseases of animals

employee ownership revolution or ripoff

emerging technologies in hazardous waste management iii

empress of the endless dream

en forma sin dolor

Mechanical Autocad Assembly Drawing Practice :

interior design spec sheet free template guide houzz pro - Dec 03 2022

web interior design templates word create your profile make your resume or submit your interior design business plan and proposals using template net s interior design

interior design specification document template - Aug 31 2022

web interior designer templates designs documents template net has dozens of free interior designer templates whether you specialize in bedroom living room

spec sheet template interior design bonsai - Jun 09 2023

web finish specification sheet template discover everything you need to create the interior plan specification or cut sheet from the experts at houzz per use our available excel

interior design specification template joy studio design gallery - Feb 22 2022

the interior design templates checklist audrey noakes - Aug 11 2023

web an interior design spec sheet template is a document that outlines the specific details and requirements for a design project it includes information about the materials colors

specification sheet elizabeth burns design raleigh nc interior - Oct 01 2022

web download free templates to advertise in your website or brochure handouts in printable layout designs perfect for advertising your portfolio and showcasing your home or

interior design specification document template - Jul 30 2022

web interior design specification template to download interior design specification template just right click and save image as tweet information date category design

interior design specification document template - Nov 21 2021

interior design spec sheet free template guide houzz pro - Jul 10 2023

web 888 827 5017 find everything you need to create an interior design tear sheet from the experts at houzz pro use his free tear sheet template toward retrieve started today

what actually are fittings fittings and fixtures the design basics - May 28 2022

web this document volume 2 is a companion document to a preliminary design specification for the design of canisters to be used during the handling storage

free template interior design spec sheet guide houzz - Oct 13 2023

web an interior design specification sheet is an essential document you ll need to perform your design work in this article we ll provide you with a free interior design

interior design specification templates why you - Feb 05 2023

web interior design specification document template author christoph hochheim from orientation sutd edu sg subject interior design specification document

in depth guide to creating interior design spec sheets - Sep 12 2023

web find everything your needing in create an interior design specification or cut sheet from the experts at houzz pro use our free outstanding spec sheet create to get started

interior design tear sheet free template guide houzz pro - May 08 2023

web find everything you need to create on inward design system or cut sheets from the experts with houzz profess use our free excel specified sheet template until get started today

interior designer templates designs documents - Mar 26 2022

interior design spec sheet free template guide houzz pro - Mar 06 2023

web aug 19 2014 update as requested here is a template of the specification sheet for your own project i hope you find it helpful

free interior design word template download template net - Jun 28 2022

web interior design specification document template this document is not an ogc standard this document is distributed for review and comment this document is

designspec - Apr 07 2023

web may 2 2023 within these two broad categories there are basically four generic types of specifications 1 propriety specifications 2 description specifications 3 performance

interior design templates designs documents - Apr 26 2022

web interior design specification document template author burkhardt bastian from orientation sutd edu sg subject interior design specification document

interior design specifications software gather - Jan 04 2023

web interior design specification document template use the standard template to develop rfp requirements for projects that do not utilize the model rfps for all

types of specifications interior design northern architecture - Nov 02 2022

web my specifications list could include a fitting such as pendant lights or window treatments such as curtains a fixture might be carpet something that is permanently fixed to the

interior design specification document template - Jan 24 2022

interior design specification document template 2023 - Dec 23 2021

zenith htm zenith global imports problem instructions for - Apr 28 2023

web answer key zenith global imports downloaded from stage gapinc com by guest amina larsen bulletin of the atomic scientists houghton mifflin harcourt this timely book

home zenith export import co - Aug 09 2021

web everyday we protect our family we protect ourselves we protect the things we love its time to protect our secrets our shipments

solaredge forecasts dour q4 revenue as demand concerns loom - Dec 25 2022

web 2 zenith global imports key 2020 05 03 zenith global imports key downloaded from autoconfig ablogtowatch com by

guest grace sara best keywords for resumes

zenith global corp import customs data records - Aug 01 2023

web customs data and import records for zenith global corp use importkey to find legitimate suppliers and avoid scams and fraud

probit global delists zenith chain zenith announcements - Dec 13 2021

web zenith global imports key adopting the tune of phrase an mental symphony within zenith global imports key in some sort of consumed by monitors and the ceaseless

insight us solar panel manufacturing boom threatened by cheap - Jan 26 2023

web nov 1 2023 solaredge technologies on wednesday forecast fourth quarter revenue below wall street estimates on weak demand for its solar inverters sending the company s

get unique global imports accounting answer key us legal - Mar 16 2022

web feb 1 2011 i ve been looking for it forever but i can t find anything free there are books with answers that cost like 25 dollars though

imt zenith bank plc - Sep 09 2021

web the key to a great success is to capture our client satisfaction and the growth through new ideas products and partnership zenith export import co established in 2022 as an

zenith global imports key 2023 help environment harvard edu - Oct 03 2023

web zenith global imports key oecd fao agricultural outlook 2021 2030 feb 11 2022 the oecd fao agricultural outlook 2021 2030 is a collaborative effort of the organisation

zenith global imports accounting answer key copy waptac - Sep 21 2022

web oct 30 2019 zenith import export co ltd us customs records for zenith import export co ltd a supplier based in china see their past imports and exports including

zenith global imports accounting answer key download only - Feb 24 2023

web 1 day ago globally the solar industry has already absorbed a 26 drop in panel prices this year to about 19 cents per watt according to s p global commodity insights u s

ciie 2023 premier li qiang to reach out to global businesses as - Oct 23 2022

web zenith global imports accounting answer key no logo naomi klein 2000 01 15 what corporations fear most are consumers who ask questions naomi klein offers us the

zenith global imports key banking finance gov ie - Jul 20 2022

web the global business unique global imports global decisions local collisions global capital and national politics popular

science global business regulation best

zenith global imports answers learn smallbusinessbigmarketing - May 18 2022

web zenith global imports automated simulation for century 21 accounting multicolumn journal bluetext eighth edition

gilbertson claudia bienas lehman mark w ross

can someone find the answer key to zenith global imports - Feb 12 2022

web title zenith global imports key author subsites imoney my 2023 09 15 16 57 36 subject zenith global imports key

keywords zenith global imports key

zenith global imports key railstest eventpower com - Jun 18 2022

web jun 18 2023 difficulty as obtain manual zenith global imports answers zenith global imports answers is at hand in our publication gathering an online access

zenith import export co ltd see recent shipments - Aug 21 2022

web zenith global imports key 3 3 countries can be distorted by politcal considerations introduction to international studies routledge across an amazing sweep of the critical

answer key zenith global imports 2022 stage gapinc - Mar 28 2023

web zenith global imports accounting answer key current law index northwest africa global business regulation international friction and cooperation in high technology

zenith global imports automated simulation for century 21 - Apr 16 2022

web complete unique global imports accounting answer key online with us legal forms easily fill out pdf blank edit and sign them save or instantly send your ready documents

zenith global imports key subsites imoney my - Jan 14 2022

web following a thorough investigation prohibit global will delist zenith please take note of the following key dates september 24 2023 at 11 58 utc 0 deposits are closed october

ebook zenith global imports key cyberlab sutd edu sg - Sep 02 2023

web zenith global imports key food outlook biannual report on global food markets dec 05 2021 against the background of fast expanding trade and a surge in food import bills

zenith international - Jul 08 2021

century 21 accounting 8e - Jun 30 2023

web auto sim key global bazaar c21 acct 8e 0 538 97305 6 contains the solutions for zenith global imports automated simulation auto sim key tronics c21 acct 8e 0

curbing methane emissions is key to slowing climate change - Oct 11 2021

web receive foreign currency transfer from abroad using international money transfers zenith bank imt you can receive foreign currency transfers from abroad using your zenith

zenith global imports key autoconfig ablogtowatch com - Nov 23 2022

web nov 3 2023 the premier a key figure behind the annual trade show that began in 2018 is likely to extend an olive branch to global businesses and investors to bolster china s

zenith global imports key wp publish com - Nov 11 2021

web 2 days ago a united nations environment programme report shows that a 45 reduction in human induced methane emissions can be achieved within this decade preventing

where can you buy zenith global imports accounting answer key - May 30 2023

web zenith global imports problem instructions for transactions dated december 1 10 if you need assistance in completing any of the steps to this problem refer to the

microbiology study guides sharpen by mcgraw hill - Sep 27 2022

web the sharpen study app offers bite sized study guides videos step by step practice problems flashcards and quizzes compatible with your mcgraw hill textbooks click to learn more about microbiology titles

microbiology multiple choice quiz mcgraw hill education - Mar 02 2023

web multiple choice quiz choose the best answer 1 which of the following represents a molecular method of testing a a clinical microbiologist would be looking for evidence of a infection if he or she were doing a microscopic examination for the presence of eggs cysts or larvae 2002 mcgraw hill higher education

microbiology chapter 1 mcgraw hill connect flashcards quizlet - Oct 29 2022

web bacteria which four of the following entities are cellular antiseptics joseph lister is best known for his work with petri who invented the dish used when preparing solid media plates organisms too small to be seen clearly by the unaided eye which is the best description of microorganisms bacteria viroids slime molds archaea

mcgraw hill connect for microbiology - Jun 24 2022

web enhancing your face to face lab with connect virtual labs how to enhance lecture with virtual labs how to use virtual labs in a fully online course with mcgraw hill learning the science of microbiology is a personalized experience supported by a

lab safety quiz flashcards quizlet - Apr 22 2022

web 3 multiple choice options the disinfectant spray in this illustration is most appropriately used for cleaning up infectious agents 3 multiple choice options microbiology bio 235 mcgraw hill virtual lab quiz 1 25 27 correct 92 59 learn with flashcards games and more for free

microbiology mcgraw hill education - Aug 27 2022

web the laboratory resource guide provides answers to all exercises in laboratory exercises in microbiology fifth edition by john harley and lansing prescott all images and tables from the text in an downloadable format for classroom presentation correlation guides for use of all resources available with the text and to the asm guidelines

microbiology multiple choice quiz mcgraw hill education - Jul 06 2023

web multiple choice quiz which of the following is not an intrinsic factor in food spoilage increase the food surface area alter cellular structure distribute contaminating microorganisms throughout the food all of the above none of the above

microorganism interactions and microbial ecology multiple choice quiz - Mar 22 2022

web oct 18 2023 this online multiple choice quiz accompanies mcgraw hill s microbiology 5th edition textbook chapter covering microorganism interactions and microbial ecology it is comprised of 32 questions for which the answers can be submitted and checked online with the click of a button

courseware designed to keep microbiology students engaged mcgraw hill - Jul 26 2022

web for microbiology explore available features within mcgraw hill connect including smartbook 2 0 microbiology prep interactive questions and animations relevancy modules and virtual labs explore connect features check out

microbiology mcgraw hill flashcards quizlet - May 04 2023

web pathogen please choose the answer that best completes the blanks of this sentence in the correct order disulfide bonds are involved in maintaining protein structure as well as the level of protein structure exhibited by complex proteins such as antibodies tertiary quaternary

microbiology exam 1 review questions chapters 1 4 6 quizlet - Dec 31 2022

web which name is written correctly a staphylococcus aureus b escherichia coli c staphylococcus epidermidis d bacillus anthracis e clostridium botulinum click the card to flip 1 50 learn created by emily kasel anderson denise g et al nester s microbiology a human perspective ninth ed mcgraw hill education 2019

answer key chapter 11 microbiology openstax - Feb 18 2022

web introduction 24 1 anatomy and normal microbiota of the digestive system 24 2 microbial diseases of the mouth and oral cavity 24 3 bacterial infections of the gastrointestinal tract 24 4 viral infections of the gastrointestinal tract 24 5 protozoan infections of the gastrointestinal tract 24 6 helminthic infections of the gastrointestinal tract summary

microbiology self quiz mcgraw hill education - Nov 29 2022

web self quiz the diploid state of a microorganism refers to the times when cells contain copy ies of each chromosome and occurs after mitotic cell division a dilute aqueous solution that fills most of the cell a solution of inorganic salts intended to balance osmotic pressure in the cell a semicrystalline mixture mostly of proteins

microbiology quiz 1 chapter 1 flashcards quizlet - May 24 2022

web 1 54 flashcards test q chat created by johnny eldridge terms in this set 54 microorganisms organisms that are too small to be seen with unaided eye microbes include bacteria fungi protozoa viruses pathogenic microorganisms decompose organic waste generate oxygen by photosynthesis produce ethanol acetone

microbiology exam 1 connect mcgraw hill flashcards quizlet - Jun 05 2023

web 1 95 flashcards learn test match q chat created by mariajohnston terms in this set 95 what three endeavors in the 20th century led to drastic reductions in the mortality from infectious disease in the united states

microbiology mcgraw hill lab exam flashcards quizlet - Feb 01 2023

web clear if methylene blue was omitted from the acid fast staining procedure non acid fast cells would be at the end of the staining process yes was the use of ethanol on the lab bench useful in reducing the number of bacteria present canned liquids like juice or soda are prepared to be free of microbial contamination

chapter 5 control of microbial growth mcgraw hill education - Apr 03 2023

web loops in microbiology laboratories b glass pipets c agar media d all of the above e a and b 9 gamma irradiation kills microorganisms by a directly damaging dna b producing superoxides c directly damaging lipids d directly damaging proteins e all of the above 10 low temperature storage is a bacteriostatic for some

microbiology exam 1 mcgraw hill questions flashcards quizlet - Sep 08 2023

web microbiology exam 1 mcgraw hill questions 4 5 4 reviews antonie van leeuwenhoekfungi click the card to flip select the individual below that was a dutch linen merchant who ground glass lenses to ever finer specifications so that he was able to develop a microscope for observing and describing living microscopic animalcules

microbiology multiple choice quiz mcgraw hill education - Oct 09 2023

web choose the best answer 1 the significance of the plasma membrane is that a it selectively allows some molecules to pass into the organism b it prevents movement of molecules out of the organism

microbiology multiple choice quiz mcgraw hill education - Aug 07 2023

web microbiology 5 e lansing m prescott augustana college donald a klein colorado state university genes expression and regulation multiple choice quiz choose the best answer 1 which form of rna acts as a blueprint for polypeptide biosynthesis by the ribosome a mrna b trna c 2002 mcgraw hill higher education