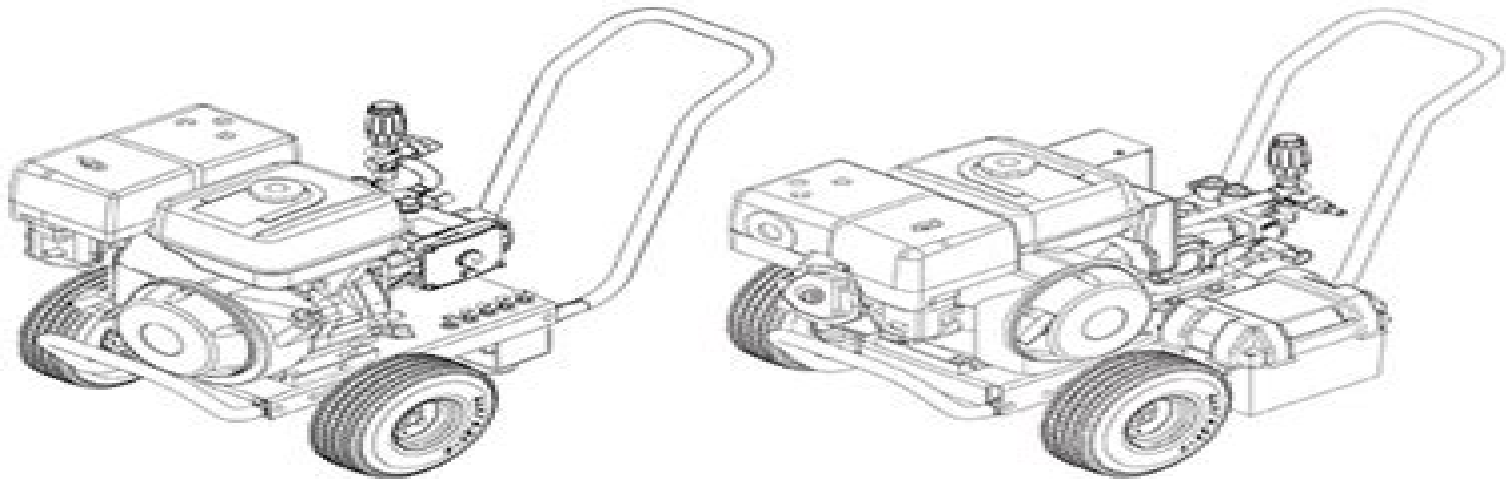


# OPERATOR'S MANUAL



**MODEL #**  
HD 3.0/27 G  
HD3.0/27 GB  
HD 3.5/35 G  
HD 3.5/35 GB  
HD 4.0/40 G  
HD 4.0/40 GB  
HD 4.0/40 Ge  
HD 4.0/40 GeB

**ORDER #**  
1.107-270.0  
1.107-271.0  
1.107-272.0  
1.107-273.0  
1.107-274.0  
1.107-275.0  
1.107-276.0  
1.107-277.0

KNA, Inc. 4555 Airport Way Denver, CO 80239

**SHOP PRESSURE WASHER PARTS**

shoppressurewasherparts.com | 888.269.0172

9.801-759.0

# Hotsy Model 540 Manual

**RC Schank**



## **Hotsy Model 540 Manual:**

Ignite the flame of optimism with Get Inspired by is motivational masterpiece, Find Positivity in **Hotsy Model 540 Manual** . In a downloadable PDF format ( PDF Size: \*), this ebook is a beacon of encouragement. Download now and let the words propel you towards a brighter, more motivated tomorrow.

[https://staging.conocer.cide.edu/files/uploaded-files/HomePages/Laboratory\\_Experiments.pdf](https://staging.conocer.cide.edu/files/uploaded-files/HomePages/Laboratory_Experiments.pdf)

## **Table of Contents Hotsy Model 540 Manual**

1. Understanding the eBook Hotsy Model 540 Manual
  - The Rise of Digital Reading Hotsy Model 540 Manual
  - Advantages of eBooks Over Traditional Books
2. Identifying Hotsy Model 540 Manual
  - Exploring Different Genres
  - Considering Fiction vs. Non-Fiction
  - Determining Your Reading Goals
3. Choosing the Right eBook Platform
  - Popular eBook Platforms
  - Features to Look for in an Hotsy Model 540 Manual
  - User-Friendly Interface
4. Exploring eBook Recommendations from Hotsy Model 540 Manual
  - Personalized Recommendations
  - Hotsy Model 540 Manual User Reviews and Ratings
  - Hotsy Model 540 Manual and Bestseller Lists
5. Accessing Hotsy Model 540 Manual Free and Paid eBooks
  - Hotsy Model 540 Manual Public Domain eBooks
  - Hotsy Model 540 Manual eBook Subscription Services
  - Hotsy Model 540 Manual Budget-Friendly Options
6. Navigating Hotsy Model 540 Manual eBook Formats

- ePub, PDF, MOBI, and More
  - Hotsy Model 540 Manual Compatibility with Devices
  - Hotsy Model 540 Manual Enhanced eBook Features
7. Enhancing Your Reading Experience
    - Adjustable Fonts and Text Sizes of Hotsy Model 540 Manual
    - Highlighting and Note-Taking Hotsy Model 540 Manual
    - Interactive Elements Hotsy Model 540 Manual
  8. Staying Engaged with Hotsy Model 540 Manual
    - Joining Online Reading Communities
    - Participating in Virtual Book Clubs
    - Following Authors and Publishers Hotsy Model 540 Manual
  9. Balancing eBooks and Physical Books Hotsy Model 540 Manual
    - Benefits of a Digital Library
    - Creating a Diverse Reading Collection Hotsy Model 540 Manual
  10. Overcoming Reading Challenges
    - Dealing with Digital Eye Strain
    - Minimizing Distractions
    - Managing Screen Time
  11. Cultivating a Reading Routine Hotsy Model 540 Manual
    - Setting Reading Goals Hotsy Model 540 Manual
    - Carving Out Dedicated Reading Time
  12. Sourcing Reliable Information of Hotsy Model 540 Manual
    - Fact-Checking eBook Content of Hotsy Model 540 Manual
    - Distinguishing Credible Sources
  13. Promoting Lifelong Learning
    - Utilizing eBooks for Skill Development
    - Exploring Educational eBooks
  14. Embracing eBook Trends
    - Integration of Multimedia Elements
    - Interactive and Gamified eBooks

## **Hotsy Model 540 Manual Introduction**

In the digital age, access to information has become easier than ever before. The ability to download Hotsy Model 540 Manual has revolutionized the way we consume written content. Whether you are a student looking for course material, an avid reader searching for your next favorite book, or a professional seeking research papers, the option to download Hotsy Model 540 Manual has opened up a world of possibilities. Downloading Hotsy Model 540 Manual provides numerous advantages over physical copies of books and documents. Firstly, it is incredibly convenient. Gone are the days of carrying around heavy textbooks or bulky folders filled with papers. With the click of a button, you can gain immediate access to valuable resources on any device. This convenience allows for efficient studying, researching, and reading on the go. Moreover, the cost-effective nature of downloading Hotsy Model 540 Manual has democratized knowledge. Traditional books and academic journals can be expensive, making it difficult for individuals with limited financial resources to access information. By offering free PDF downloads, publishers and authors are enabling a wider audience to benefit from their work. This inclusivity promotes equal opportunities for learning and personal growth. There are numerous websites and platforms where individuals can download Hotsy Model 540 Manual. These websites range from academic databases offering research papers and journals to online libraries with an expansive collection of books from various genres. Many authors and publishers also upload their work to specific websites, granting readers access to their content without any charge. These platforms not only provide access to existing literature but also serve as an excellent platform for undiscovered authors to share their work with the world. However, it is essential to be cautious while downloading Hotsy Model 540 Manual. Some websites may offer pirated or illegally obtained copies of copyrighted material. Engaging in such activities not only violates copyright laws but also undermines the efforts of authors, publishers, and researchers. To ensure ethical downloading, it is advisable to utilize reputable websites that prioritize the legal distribution of content. When downloading Hotsy Model 540 Manual, users should also consider the potential security risks associated with online platforms. Malicious actors may exploit vulnerabilities in unprotected websites to distribute malware or steal personal information. To protect themselves, individuals should ensure their devices have reliable antivirus software installed and validate the legitimacy of the websites they are downloading from. In conclusion, the ability to download Hotsy Model 540 Manual has transformed the way we access information. With the convenience, cost-effectiveness, and accessibility it offers, free PDF downloads have become a popular choice for students, researchers, and book lovers worldwide. However, it is crucial to engage in ethical downloading practices and prioritize personal security when utilizing online platforms. By doing so, individuals can make the most of the vast array of free PDF resources available and embark on a journey of continuous learning and intellectual growth.

## **FAQs About Hotsy Model 540 Manual Books**

How do I know which eBook platform is the best for me? Finding the best eBook platform depends on your reading preferences and device compatibility. Research different platforms, read user reviews, and explore their features before making a choice. Are free eBooks of good quality? Yes, many reputable platforms offer high-quality free eBooks, including classics and public domain works. However, make sure to verify the source to ensure the eBook credibility. Can I read eBooks without an eReader? Absolutely! Most eBook platforms offer web-based readers or mobile apps that allow you to read eBooks on your computer, tablet, or smartphone. How do I avoid digital eye strain while reading eBooks? To prevent digital eye strain, take regular breaks, adjust the font size and background color, and ensure proper lighting while reading eBooks. What the advantage of interactive eBooks? Interactive eBooks incorporate multimedia elements, quizzes, and activities, enhancing the reader engagement and providing a more immersive learning experience. Hotsy Model 540 Manual is one of the best book in our library for free trial. We provide copy of Hotsy Model 540 Manual in digital format, so the resources that you find are reliable. There are also many Ebooks of related with Hotsy Model 540 Manual. Where to download Hotsy Model 540 Manual online for free? Are you looking for Hotsy Model 540 Manual PDF? This is definitely going to save you time and cash in something you should think about.

### **Find Hotsy Model 540 Manual :**

#### **laboratory experiments**

[la promenade au phare](#)

[la pintura al oleo](#)

[laboratory methods for neonatal screening](#)

#### **labour mkt trends vol 111/12/dec 03**

[la tabla de flandes](#)

[la talavera de puebla](#)

[labour mkt trends vol 122/4/apr 04](#)

#### **la wallonie**

#### **la presencia taina en la narrativa puertorr puertorriquena**

[la voz de la iglesia en cuba 100 documentos episcopales](#)

#### **labview graphical programming practical applications in instrumentation and control**

#### **labs for vertebrate zoology by schuett 2nd edition lab manual**

*la route morte rc4 1950*  
la societe bureaucratique

### **Hotsy Model 540 Manual :**

The DNA of Customer Experience: How Emotions Drive ... If nothing else, this book is fascinating. Colin Shaw has dissected transactions into measurable steps based on the emotions agents evoke during an experience. The DNA of Customer Experience: How Emotions Drive ... by D Holder · 2008 · Cited by 3 — The premise of Colin Shaw's book The DNA of Customer Experience is that emotions drive value, and 50 per cent of customer experience is ... The DNA of Customer Experience: How emotions drive value. by C Shaw · 2001 · Cited by 293 — - Our customers tell us they feel we value them and look out for their best interest. To achieve this we spend time with them undertaking actions to make their ... The DNA of Customer Experience, How Emotions Drive ... Shaw (2007) , through his research, found the connection between customer's emotions and the effects on loyalty and spending ( Figure 4). The author categorized ... How Emotions Drive a Customer Experience The DNA of Customer Experience: How Emotions Drive Value, by Colin Shaw, is available from [www.beyondphilosophy.com/thought-leadership/books](http://www.beyondphilosophy.com/thought-leadership/books). Page 6. 6. The DNA of Customer Experience: How... by unknown author This book talks about the importance of creating a Customer Experience in very interesting and helpful ways. For example, Colin Shaw notes that each company has ... The DNA of Customer Experience: How Emotions Drive ... Colin Shaw demonstrates convincingly why building a great 'Customer Experience' is important to your company. He relates it to important clusters of emotions ... The DNA of Customer Experience Free Summary by Colin ... He relates it to important clusters of emotions that either destroy or drive added value, and create loyal customers. While the DNA metaphor is a bit ... The DNA of Customer Experience: How Emotions Drive ... Aug 27, 2016 — The DNA of Customer Experience: How Emotions Drive Value (Paperback) ; 0 Items, Total: \$0.00 ; Total: \$0.00 ; Upcoming Events. We are currently ... The DNA of Customer Experience: How Emotions Drive ... The book adds to the body of knowledge about customer experience, developing a structure of 4 clusters of emotions and suggestions of ways to measure the ... Deaf Like Me: Spradley, Thomas S. ... Deaf Like Me is the moving account of parents coming to terms with their baby girl's profound deafness. The love, hope, and anxieties of all hearing parents ... Deaf Like Me A book at once moving and inspiring, Deaf Like Me is must reading for every parent, relative, and friend of deaf children everywhere. Deaf Like Me Deaf Like Me is a biographical book about a family who discovers their daughter, Lynn, is deaf, and deals with a language barrier. Deaf Like Me by Thomas S. Spradley Deaf Like Me is the moving account of parents coming to terms with their baby girl's profound deafness. The love, hope, and anxieties of all hearing parents ... Audiobook: Deaf like me by Spradley Thomas S. Deaf Like Me is the moving account of parents coming to terms with their baby girl's profound deafness. The love, hope, and anxieties of all hearing parents of ... Deaf Like Me -



Council for the Deaf and Hard of Hearing Jul 18, 2023 — Deaf Like Me is the moving account of parents coming to terms with their baby girl's profound deafness. The love, hope, and anxieties of all ... Deaf Like Me A book at once moving and inspiring, Deaf Like Me is must reading for every parent, relative, and friend of deaf children everywhere. Deaf Like Me book by James P. Spradley Deaf Like Me is the moving account of parents coming to terms with their baby girl's profound deafness. The love, hope, and anxieties of all hearing parents ... Deaf Like Me (Paperback) Deaf Like Me is the moving account of parents coming to terms with their baby girl's profound deafness. The love, hope, and anxieties of all hearing parents ... Deaf Like Me - Thomas S. Spradley, James P. ... A book at once moving and inspiring, Deaf Like Me is must reading for every parent, relative, and friend of deaf children everywhere. American History Textbook American History Textbook. The Americans. Below is the "Red Textbook" online. Click on the name of the chapter you desire to reveal each of the sections. Americans Book Home. Book - Americans - McDougall Littell. Ch 1 Exploration and the Colonial ... US History Extras. Glossary · Atlas · US Skill Builder · History Wiki Book ... American History, Grades 6-8 Beginnings to 1914 ... Amazon.com: American History, Grades 6-8 Beginnings to 1914: Mcdougal Littell American History: 9780618829019: Holt Mcdougal, Garcia, Jesus, Ogle, Donna M., ... U.S. HISTORY textbook - pdf copy & audio U.S. History Textbook Resources The Americans: Reconstruction to the 21st Century The following mp3 audio files may also help you learn. MCDOUGAL LITTEL - History: Books American History, Grades 6-8 Beginnings Through Reconstruction: Mcdougal Littell American History (McDougal Littell Middle School American History). holt mcdougal - american history student edition - AbeBooks The Americans: Student Edition United States History Since 1877 2016 by HOLT MCDOUGAL and a great selection of related books, art and collectibles available ... American History, Grades 6-8 Beginnings Through ... Compare cheapest textbook prices for American History, Grades 6-8 Beginnings Through Reconstruction: Mcdougal Littell American History (McDougal Littell ... (PDF) American History, Grades 6-8 Beginnings Through ... American History, Grades 6-8 Beginnings Through Reconstruction: Mcdougal Littell American History (McDougal Littell Middle School American History) by MCDOUGAL ... American History, Grades 6-8 Full Survey: Mcdougal Littell ... American History, Grades 6-8 Full Survey: Mcdougal Littell American History by Holt Mcdougal; Garcia, Jesus; Ogle, Donna M.; Risinger, C. Frederick - ISBN ... McDougal Littell The Americans: Online Textbook Help Our McDougal Littell The Americans textbook companion course elaborates on all the topics covered in the book to help you through your homework and...