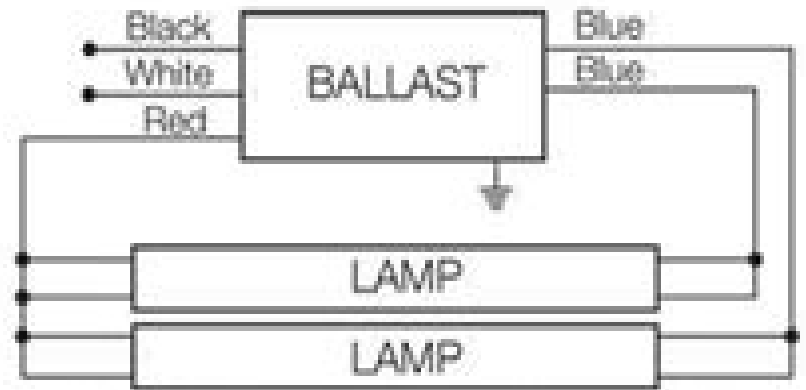
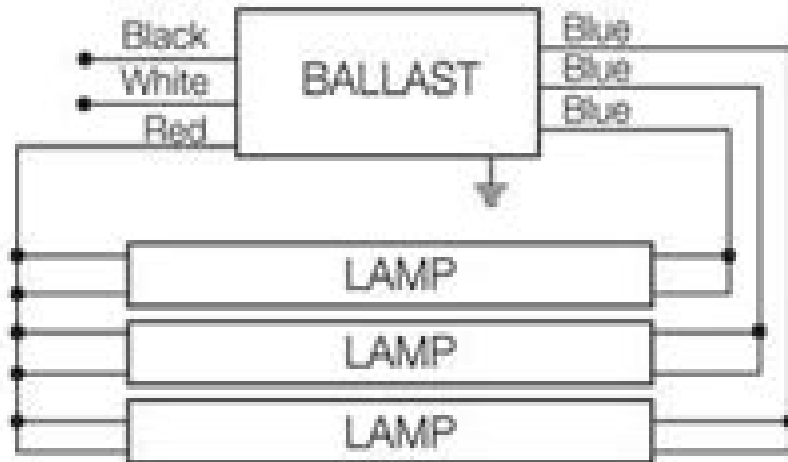


**1x32**



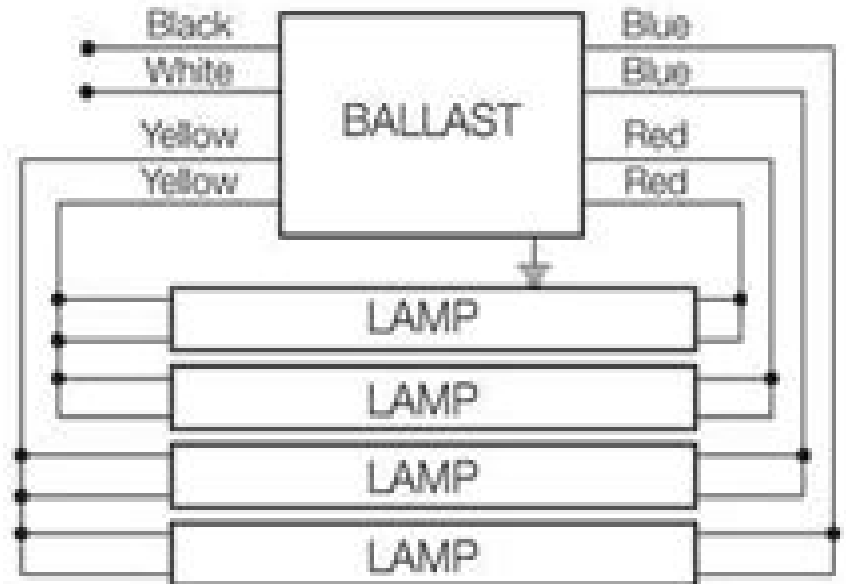
Note: For one lamp application, cap any blue lead. Insulate to 600 volts.

**2x32**



Note: For two lamp application, cap any blue lead. Insulate to 600 volts.

**3x32**



Note: For three lamp application, cap any unused blue lead. Insulate to 600 volts.

**4x32**

# Fluorescent Ballast Wiring Schematic

**Karin Nielsen-Saines**



**Fluorescent Ballast Wiring Schematic:**

Embark on a transformative journey with Written by is captivating work, **Fluorescent Ballast Wiring Schematic** . This enlightening ebook, available for download in a convenient PDF format PDF Size: , invites you to explore a world of boundless knowledge. Unleash your intellectual curiosity and discover the power of words as you dive into this riveting creation. Download now and elevate your reading experience to new heights .

<https://staging.conocer.cide.edu/data/scholarship/fetch.php/Kama%20Sutra%20Del%20Japon%20Kama%20Sutra%20Of%20Japan.pdf>

## **Table of Contents Fluorescent Ballast Wiring Schematic**

1. Understanding the eBook Fluorescent Ballast Wiring Schematic
  - The Rise of Digital Reading Fluorescent Ballast Wiring Schematic
  - Advantages of eBooks Over Traditional Books
2. Identifying Fluorescent Ballast Wiring Schematic
  - Exploring Different Genres
  - Considering Fiction vs. Non-Fiction
  - Determining Your Reading Goals
3. Choosing the Right eBook Platform
  - Popular eBook Platforms
  - Features to Look for in an Fluorescent Ballast Wiring Schematic
  - User-Friendly Interface
4. Exploring eBook Recommendations from Fluorescent Ballast Wiring Schematic
  - Personalized Recommendations
  - Fluorescent Ballast Wiring Schematic User Reviews and Ratings
  - Fluorescent Ballast Wiring Schematic and Bestseller Lists
5. Accessing Fluorescent Ballast Wiring Schematic Free and Paid eBooks
  - Fluorescent Ballast Wiring Schematic Public Domain eBooks
  - Fluorescent Ballast Wiring Schematic eBook Subscription Services

- Fluorescent Ballast Wiring Schematic Budget-Friendly Options
- 6. Navigating Fluorescent Ballast Wiring Schematic eBook Formats
  - ePub, PDF, MOBI, and More
  - Fluorescent Ballast Wiring Schematic Compatibility with Devices
  - Fluorescent Ballast Wiring Schematic Enhanced eBook Features
- 7. Enhancing Your Reading Experience
  - Adjustable Fonts and Text Sizes of Fluorescent Ballast Wiring Schematic
  - Highlighting and Note-Taking Fluorescent Ballast Wiring Schematic
  - Interactive Elements Fluorescent Ballast Wiring Schematic
- 8. Staying Engaged with Fluorescent Ballast Wiring Schematic
  - Joining Online Reading Communities
  - Participating in Virtual Book Clubs
  - Following Authors and Publishers Fluorescent Ballast Wiring Schematic
- 9. Balancing eBooks and Physical Books Fluorescent Ballast Wiring Schematic
  - Benefits of a Digital Library
  - Creating a Diverse Reading Collection Fluorescent Ballast Wiring Schematic
- 10. Overcoming Reading Challenges
  - Dealing with Digital Eye Strain
  - Minimizing Distractions
  - Managing Screen Time
- 11. Cultivating a Reading Routine Fluorescent Ballast Wiring Schematic
  - Setting Reading Goals Fluorescent Ballast Wiring Schematic
  - Carving Out Dedicated Reading Time
- 12. Sourcing Reliable Information of Fluorescent Ballast Wiring Schematic
  - Fact-Checking eBook Content of Fluorescent Ballast Wiring Schematic
  - Distinguishing Credible Sources
- 13. Promoting Lifelong Learning
  - Utilizing eBooks for Skill Development
  - Exploring Educational eBooks
- 14. Embracing eBook Trends

- Integration of Multimedia Elements
- Interactive and Gamified eBooks

### Fluorescent Ballast Wiring Schematic Introduction

In this digital age, the convenience of accessing information at our fingertips has become a necessity. Whether its research papers, eBooks, or user manuals, PDF files have become the preferred format for sharing and reading documents. However, the cost associated with purchasing PDF files can sometimes be a barrier for many individuals and organizations. Thankfully, there are numerous websites and platforms that allow users to download free PDF files legally. In this article, we will explore some of the best platforms to download free PDFs. One of the most popular platforms to download free PDF files is Project Gutenberg. This online library offers over 60,000 free eBooks that are in the public domain. From classic literature to historical documents, Project Gutenberg provides a wide range of PDF files that can be downloaded and enjoyed on various devices. The website is user-friendly and allows users to search for specific titles or browse through different categories. Another reliable platform for downloading Fluorescent Ballast Wiring Schematic free PDF files is Open Library. With its vast collection of over 1 million eBooks, Open Library has something for every reader. The website offers a seamless experience by providing options to borrow or download PDF files. Users simply need to create a free account to access this treasure trove of knowledge. Open Library also allows users to contribute by uploading and sharing their own PDF files, making it a collaborative platform for book enthusiasts. For those interested in academic resources, there are websites dedicated to providing free PDFs of research papers and scientific articles. One such website is Academia.edu, which allows researchers and scholars to share their work with a global audience. Users can download PDF files of research papers, theses, and dissertations covering a wide range of subjects. Academia.edu also provides a platform for discussions and networking within the academic community. When it comes to downloading Fluorescent Ballast Wiring Schematic free PDF files of magazines, brochures, and catalogs, Issuu is a popular choice. This digital publishing platform hosts a vast collection of publications from around the world. Users can search for specific titles or explore various categories and genres. Issuu offers a seamless reading experience with its user-friendly interface and allows users to download PDF files for offline reading. Apart from dedicated platforms, search engines also play a crucial role in finding free PDF files. Google, for instance, has an advanced search feature that allows users to filter results by file type. By specifying the file type as "PDF," users can find websites that offer free PDF downloads on a specific topic. While downloading Fluorescent Ballast Wiring Schematic free PDF files is convenient, its important to note that copyright laws must be respected. Always ensure that the PDF files you download are legally available for free. Many authors and publishers voluntarily provide free PDF versions of their work, but its essential to be cautious and verify the authenticity of the source before downloading Fluorescent Ballast Wiring Schematic. In

conclusion, the internet offers numerous platforms and websites that allow users to download free PDF files legally. Whether its classic literature, research papers, or magazines, there is something for everyone. The platforms mentioned in this article, such as Project Gutenberg, Open Library, Academia.edu, and Issuu, provide access to a vast collection of PDF files. However, users should always be cautious and verify the legality of the source before downloading Fluorescent Ballast Wiring Schematic any PDF files. With these platforms, the world of PDF downloads is just a click away.

### FAQs About Fluorescent Ballast Wiring Schematic Books

**What is a Fluorescent Ballast Wiring Schematic PDF?** A PDF (Portable Document Format) is a file format developed by Adobe that preserves the layout and formatting of a document, regardless of the software, hardware, or operating system used to view or print it. **How do I create a Fluorescent Ballast Wiring Schematic PDF?** There are several ways to create a PDF: Use software like Adobe Acrobat, Microsoft Word, or Google Docs, which often have built-in PDF creation tools. Print to PDF: Many applications and operating systems have a "Print to PDF" option that allows you to save a document as a PDF file instead of printing it on paper. Online converters: There are various online tools that can convert different file types to PDF. **How do I edit a Fluorescent Ballast Wiring Schematic PDF?** Editing a PDF can be done with software like Adobe Acrobat, which allows direct editing of text, images, and other elements within the PDF. Some free tools, like PDFescape or Smallpdf, also offer basic editing capabilities. **How do I convert a Fluorescent Ballast Wiring Schematic PDF to another file format?** There are multiple ways to convert a PDF to another format: Use online converters like Smallpdf, Zamzar, or Adobe Acrobats export feature to convert PDFs to formats like Word, Excel, JPEG, etc. Software like Adobe Acrobat, Microsoft Word, or other PDF editors may have options to export or save PDFs in different formats. **How do I password-protect a Fluorescent Ballast Wiring Schematic PDF?** Most PDF editing software allows you to add password protection. In Adobe Acrobat, for instance, you can go to "File" -> "Properties" -> "Security" to set a password to restrict access or editing capabilities. Are there any free alternatives to Adobe Acrobat for working with PDFs? Yes, there are many free alternatives for working with PDFs, such as: LibreOffice: Offers PDF editing features. PDFsam: Allows splitting, merging, and editing PDFs. Foxit Reader: Provides basic PDF viewing and editing capabilities. How do I compress a PDF file? You can use online tools like Smallpdf, ILovePDF, or desktop software like Adobe Acrobat to compress PDF files without significant quality loss. Compression reduces the file size, making it easier to share and download. Can I fill out forms in a PDF file? Yes, most PDF viewers/editors like Adobe Acrobat, Preview (on Mac), or various online tools allow you to fill out forms in PDF files by selecting text fields and entering information. Are there any restrictions when working with PDFs? Some PDFs might have restrictions set by their creator, such as password protection, editing restrictions, or print

restrictions. Breaking these restrictions might require specific software or tools, which may or may not be legal depending on the circumstances and local laws.

### **Find Fluorescent Ballast Wiring Schematic :**

*kama sutra del japon kama sutra of japan*

**kansas wildlife**

karloff and company the horror film

kasaysayan ng komedya sa pilipinas 17661982

kalahari bushman healers

**karen hesse**

kaplan gre exam psychology

**karate do my way of life**

kak stat muzhchinoi ili agrebivnaia prakticheskaia psikhologii

**kak nam nakormit kazhdogo cheloveka**

kalamansi with honey understanding womens health

*kants politics provisional theory for an uncertain world*

**karezza ethics of marriage**

**kama sutra for cats the**

kahuna laau lapaau the practice of hawaiian herbal medicine

### **Fluorescent Ballast Wiring Schematic :**

1999 2005 volkswagen jetta golf gti mk4 workshop service repair manual - Mar 30 2022

web this 1999 2005 volkswagen jetta golf gti mk4 workshop service repair manual ca023476 is an electronic format that can be printed out for easy reference it contains detailed illustrations and step by step instructions to help you repair and maintain your vehicle this manual is your number one source for repair and service information and

volkswagen golf pdf workshop and repair manuals - Apr 11 2023

web jul 20 2018 volkswagen golf 4 1998 2005 service manual pdf 2 3mb download volkswagen golf 4 electrical wiring diagrams pdf 42 3mb download volkswagen golf gti 2013 pdf owner s manuals pdf 5 2mb download volkswagen golf gti 2014 pdf owner s manuals pdf 1 8mb download volkswagen golf gti 2014 repair manual



[vw golf gti mk4 owners manual pdf volkswagen scribd](#) - Apr 30 2022

web volkswagen golf mk4 service repair manual ebook download as pdf file pdf text volkswagen jetta golf gti mk4 service manual 1999 2005 this vw golf mk4 gti 1 8t 20 valve s reg 171 888 miles 5 speed manual 150 bhp 3 door sunroof

**volkswagen golf 4 1998 service manual pdf download manualslib** - Aug 15 2023

web page 1 volkswagen golf 4 bora 1998 2005 gti jetta 1998 2005 r32 a4 note for guided fault finding information refer to vas 5051 diagnostic tester 01 on board diagnostic obd abs itt mark 20 ie on board diagnostic obd function

[volkswagen jetta golf gti mk4 1999 2005 service repair manual](#) - Jun 01 2022

web this manual includes all the service and repair information about 1999 2005 volkswagen jetta golf gti mk4 everything from wiring to rebuilding the machine as well as electrical diagrams service procedures fluid capacities etc dwnload service repair manual for volkswagen jetta golf gti mk4 1999 2000 2001 2002 2003 2004 2005

**volkswagen golf 4 1998 2005 service manual pdf for free** - Jul 14 2023

web our guide provides a comprehensive volkswagen golf 4 1998 2005 service manual complete with detailed instructions and diagrams for all aspects of vehicle maintenance and repair from engine and transmission to brakes and

[volkswagen golf pdf service workshop and repair manuals](#) - May 12 2023

web volkswagen golf 4 1998 2005 service manual volkswagen golf 1983 workshop manual volkswagen golf 1984 1992 service and repair manual volkswagen golf 1992 1998 service and repair manual volkswagen golf golf gti 1999 2005 service and repair manual volkswagen golf jetta gti repair manual 1999 2005

**volkswagen golf service and repair manuals free download pdf** - Oct 05 2022

web edition 04 2015 very good guide to the diagnosis of modern cars vag extremely rare factory information because the procedures and troubleshooting block schemes described therein more than 10 years ago were transferred from printed versions to diagnostic devices of the vas series

[volkswagen owners manuals official vw digital resources](#) - Jan 28 2022

web the volkswagen online owner s manual we ve made it easy to access your owner s and radio navigation manuals online for model year 2012 and newer volkswagen vehicles you can view your manuals by entering the 17 digit vehicle identification number vin in the search bar below routan not included

**volkswagen gti service repair manuals on motor era** - Sep 04 2022

web motor era offers service repair manuals for your volkswagen gti download your manual now volkswagen gti service repair manuals complete list of volkswagen gti auto service repair manuals 1999 2005 volkswagen jetta golf gti factory service manual volkswagen jetta 1999 2005 service workshop repair manual

**volkswagen golf owner s manual manual directory** - Dec 07 2022

web you can find 50 different owner s manuals for the volkswagen golf on this page that are in the pdf format looking for mechanical information an owner s manual is usually packed with guides on how to operate the car safely and how to maintain it

**volkswagen golf free workshop and repair manuals** - Feb 09 2023

web volkswagen golf workshop repair and owners manuals for all years and models free pdf download for thousands of cars and trucks

**download volkswagen golf 4 1998 service manual manualslib** - Mar 10 2023

web volkswagen golf 4 1998 service manual brand volkswagen category automobile size 1 7 mb pages 340 this manual is also suitable for golf 4 1999 golf 4 2000 golf 4 2001 golf 4 2002 golf 4 2004 golf 4 2003 bora 1998 golf 4 2005 bora 2000 bora 1999 bora 2001 bora 2002 bora 2003 bora 2004 bora 2005 gti 1998 gti 1999

**volkswagen golf gti free pdf manuals download manualslib** - Jan 08 2023

web volkswagen golf 1999 service manual 4954 pages 1 8 l turbo 1 9 l tdi and pdi diesel 2 0l gasoline 2 8l vr6 table of contents engine overview manual is suitable for 13 more products golf 2000 golf 2001 golf 2002 golf 2003 golf 2004 golf 2005 gti 1999

*vw golf i cabrio gti rabbit service and repair manuals tmb* - Feb 26 2022

web vw golf i cabrio gti rabbit service and repair manuals looking for a volkswagen golf i cabrio gti or rabbit service manual explore here haynes and other workshop manuals for expert maintenance and repair of volkswagen cars detailed instructions for fault finding and parts replacement

volkswagen golf gti owner s and service manuals online download - Jul 02 2022

web manufacturers volkswagen golf gti volkswagen golf gti owner s and service manuals online download pdf volkswagen golf gti owner s manuals and service manuals for online browsing and download search through 1115 volkswagen manuals online for free carmanualsonline info is the largest free

**volkswagen golf repair service manuals 306 pdf s** - Jun 13 2023

web volkswagen golf service manual for roadside repairs volkswagen golf owners manual covering weekly checks volkswagen golf workshop manual covering lubricants fluids and tyre pressures volkswagen golf service pdf s covering routine maintenance and servicing detailed volkswagen golf engine and associated service systems for

*volkswagen jetta golf gti a4 service manual 1999 2005 excerpt* - Aug 03 2022

web description an excerpt of section 46 10 brakes mechanical components from the volkswagen jetta golf gti a4 service manual 1999 2005 covering the procedure for removing and installing the rear brake pads for more information on this repair manual visit bentleypublishers com product htm code vg05

**volkswagen golf e golf factory service repair manuals** - Nov 06 2022

web this manual provides information on diagnosis service procedures adjustments and specifications for the volkswagen gti golf r cd1 index maintenance safety precautions and repair information electrical wiring diagrams volkswagen golf e golf

**volkswagen golf gti tcr seq 2019 user manual pdf** - Dec 27 2021

web view and download volkswagen golf gti tcr seq 2019 user manual online golf gti tcr seq 2019 automobile pdf manual download

**ebook ventriloquism made easy how to talk to your hand** - Dec 07 2022

web make your hand talk your shoe sing and your mother in law shut up everyone will be tongue tied when you start talking to the lamp shade and it talks back ventriloquism as taught in this book is easy to learn if you follow a few simple rules

**download pdf ventriloquism made easy how to talk to your hand** - Apr 11 2023

web apr 8 2020 ventriloquism made easy how to talk to your hand without looking stupid cheapest read ventriloquism made easy how to talk to your hand without looking stupid free acces unlimited read ventriloquism made easy how to talk to your hand without looking stupid

pdf ventriloquism made easy how to talk to your hand - Jun 13 2023

web free essays homework help flashcards research papers book reports term papers history science politics

**ventriloquism made easy how to talk to your hand** - Dec 27 2021

web ventriloquism made easy how to talk to your hand right here we have countless books ventriloquism made easy how to talk to your hand and collections to check out we additionally have the funds for variant types and then type of the books to browse

*ventriloquism made easy how to talk to your hand without* - Jul 14 2023

web abebooks com ventriloquism made easy how to talk to your hand without looking stupid 9780941599061 by stadelman paul fife bruce and a great selection of similar new used and collectible books available now at great prices

*ventriloquism made easy how to talk to your hand without* - Jun 01 2022

web ventriloquism made easy how to talk to your hand without looking stupid ebook stadelman paul fife bruce amazon ca kindle store

ventriloquism made easy paul stadelman bruce fife google - Jan 08 2023

web ventriloquism made easy paul stadelman bruce fife piccadilly books ltd 2003 performing arts 102 pages learn how to throw your voice make your hand talk your shoe

**ventriloquism made easy how to talk to your hand without** - Oct 05 2022

web buy ventriloquism made easy how to talk to your hand without looking stupid by paul strandelman paul stadelman ed

harris illustrator online at alibris we have new and used copies available in 1 editions starting at 2 22 shop now

**pdf ventriloquism made easy how to talk to your hand** - Jul 02 2022

web some e book writers deal their ebooks ventriloquism made easy how to talk to your hand without looking stupid with advertising articles or blog posts and also a profits web page to bring in more consumers the sole challenge with plr ebooks ventriloquism made easy how en

*4 ways to be a good ventriloquist wikipedi* - Sep 04 2022

web apr 10 2022 2 practice throwing your voice take a deep breath in through your nose raise your tongue so it is near but not touching the soft palate at the roof of your mouth contract your diaphragm by tightening your stomach muscles and keep your airway constricted so breath is trapped in your throat

**ventriloquism made easy how to talk to your hand without** - May 12 2023

web ventriloquism made easy how to talk to your hand without looking stupid paperback illustrated aug 5 2008 by paul stadelman author bruce fife author 590 ratings see all formats and editions kindle edition 6 22 read with our free app hardcover 44 64 2 used from 44 64 paperback

**ventriloquism made easy how to talk to your hand without** - Mar 30 2022

web ventriloquism made easy how to talk to your hand without looking stupid ebook stadelman paul fife bruce amazon in kindle store

**home book summary ventriloquism made easy how to talk to your hand** - Jan 28 2022

web homebookmix com this is the summary of ventriloquism made easy how to talk to your hand without looking stupid second edition by paul stadelman

**ventriloquism made easy how to talk to your hand without** - Nov 06 2022

web ventriloquism as taught in this book is easy to learn if you follow a few simple rules anybody can do it and it s so fun that once you start you ll be talking to yourself for hours this book explains how to use standard puppets as well as novelty figures such as balloon animals and gym socks

**ventriloquism made easy how to talk to your hand without** - Feb 09 2023

web find many great new used options and get the best deals for ventriloquism made easy how to talk to your hand without looking stupid by bruce fife and paul stadelman 2003 trade paperback at the best online prices at ebay

**amazon com customer reviews ventriloquism made easy how to talk** - Feb 26 2022

web a very concise and excellent tutorial reviewed in the united states on december 19 2013 verified purchase a fantastic book that teaches you how to be a great ventriloquist it covers manual pronunciation together with must needed exercises it details puppetry and outlines the varieties the varieties of available puppets

**ventriloquism made easy how to talk to your hand without** - Aug 03 2022

web learn how to throw your voice make your hand talk your shoe sing and your mother in law shut up everyone will be tongue tied when you start talking to the lamp shade and it talks back

*ventriloquism made easy how to talk to your hand without looking* - Aug 15 2023

web jan 1 2003 by paul stadelman author dr bruce fife nd author 4 5 595 ratings see all formats and editions learn how to throw your voice make your hand talk your shoe sing and your mother in law shut up everyone will be tongue tied when you start talking to the lamp shade and it talks back

**ventriloquism made easy how to talk to your hand without** - Mar 10 2023

web ventriloquism made easy how to talk to your hand without looking stupid strandelman paul stadelman paul harris ed 9780941599061 amazon com au books skip to main content

*ventriloquism made easy how to talk to your hand without* - Apr 30 2022

web merely said the ventriloquism made easy how to talk to your hand without looking stupid second edition pdf is universally compatible with any devices to read table talk william hazlitt 1800 paperbound books in print 1991 what makes us smart samuel gershman 2021 10 19 introduction are we smart

ie 360 engineering economic analysis auburn university - Feb 14 2022

web city engineer has collected the following financial information for the complex project annual upkeep costs 120 000 annual utility costs 13 000

**ise360 engineering economic analysis auburn university pdf** - Sep 04 2023

web ise360 engineering economic analysis auburn university pdf pdf pod kylemcdonald net created date 10 2 2023 5 29 55 pm

ise360 engineering economic analysis auburn university - May 20 2022

web april 30th 2018 economic analysis first edition john a white university of arkansas kellie s grasman ise360 engineering economic analysis fundamentals of engineering

**ise360 engineering economic analysis auburn university** - Mar 18 2022

web dec 10 2022 during and after the economic crisis versus that of the big three us auto manufacturers this case study presents the operational aspects and accounting tools

**ise360 engineering economic analysis auburn university** - Aug 23 2022

web ise360 engineering economic analysis auburn university 1 ise360 engineering economic analysis auburn university research handbook on gender and innovation

**industrial systems engineering insy auburn university** - Mar 30 2023

web introduction to project management for engineering business and technology including project management concepts project life cycle planning techniques scheduling and

**department of economics auburn university** - Oct 25 2022

web courses majors from the department of economics pursue careers in business banking and finance government and consulting they are also prepared to enter graduate or

**insy auburn university course hero** - Nov 25 2022

web discover the best homework help resource for insy at auburn university find insy study guides notes and practice tests for auburn university

**department of industrial and systems engineering auburn** - Jan 28 2023

web insy 3600 engineering economy 3 lec 3 pr engr 1110 or engr 1113 principles required in engineering economic studies insy 3700 operations

**ie 360 engineering economic analysis eng auburn edu** - Jun 01 2023

web ie 360 engineering economic analysis exam 1 version no 1 solutions dr park title microsoft word document1 author orhan created date 9 8 2007 12 07 12 am

*ise360 engineering economic analysis auburn university pdf* - Apr 18 2022

web may 23 2023 ise360 engineering economic analysis auburn university 1 2 downloaded from uniport edu ng on may 23 2023 by guest ise360 engineering

**ise360 engineering economic analysis auburn university 2022** - Dec 27 2022

web innovation is seen as one of the main engines of economic growth creating prosperous nations and enabling technological development within industries and sectors this

**ise360 engineering economic analysis auburn university** - Aug 03 2023

web ise360 engineering economic analysis auburn university auburn university official site april 24th 2018 auburn university has developed into one of the largest

**ise360 engineering economic analysis auburn university copy** - Jun 20 2022

web apr 30 2023 ise360 engineering economic analysis auburn university 1 1 downloaded from uniport edu ng on april 30 2023 by guest ise360 engineering

**ie 360 engineering economic analysis auburn university** - Jul 02 2023

web ie 360 engineering economic analysis exam 1 solutions dr park 1 b 2 title microsoft word document1 author orhan created date 9 8 2007 12 06 10 am

*engineering economic analysis v07b 23 auburn university* - Oct 05 2023

web engineering economy continues to be critical to successful engineering practice this course covers the basics of the subject with emphasis on methods to support economic

**i e 305 iowa state engineering economic analysis studocu** - Sep 23 2022

web studying i e 305 engineering economic analysis at iowa state university on studocu you will find 28 assignments lecture notes essays and much more for i e 305

**ie 360 engineering economic analysis auburn university** - Apr 30 2023

web city engineer has collected the following financial information for the complex project annual upkeep costs 120 000 annual utility costs 13 000

ise360 engineering economic analysis auburn university pdf - Jul 22 2022

web jul 20 2023 during and after the economic crisis versus that of the big three us auto manufacturers this case study presents the operational aspects and accounting tools

**department of industrial and systems engineering** - Feb 26 2023

web industrial and systems engineers design and improve processes to make work safer faster easier and more rewarding whether shortening a rollercoaster line streamlining an