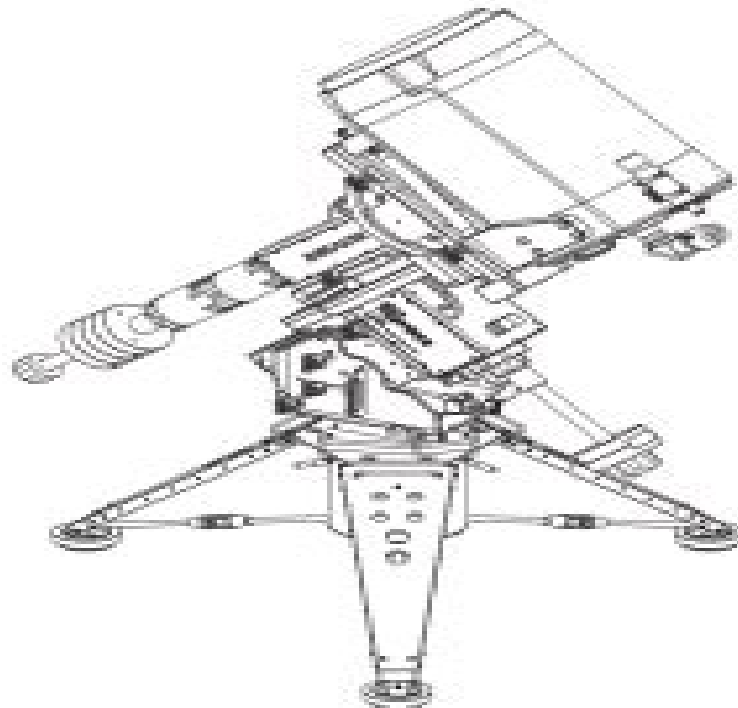


Instruction Manual

16", 20" RCX400™ Advanced Ritchey-Chrétien Telescopes
with The Max Mount



MEADE.COM



MEADE

Meade Rcx40user Guide

Julia Schneider



Meade Rcx40user Guide:

Astronomy Now ,2008

MCS-40TM User's Manual Intel Corporation,1976

Embark on a breathtaking journey through nature and adventure with is mesmerizing ebook, Witness the Wonders in **Meade Rcx40user Guide** . This immersive experience, available for download in a PDF format (PDF Size: *), transports you to the heart of natural marvels and thrilling escapades. Download now and let the adventure begin!

https://staging.conocer.cide.edu/data/browse/fetch.php/inside_ipos.pdf

Table of Contents Meade Rcx40user Guide

1. Understanding the eBook Meade Rcx40user Guide
 - The Rise of Digital Reading Meade Rcx40user Guide
 - Advantages of eBooks Over Traditional Books
2. Identifying Meade Rcx40user Guide
 - Exploring Different Genres
 - Considering Fiction vs. Non-Fiction
 - Determining Your Reading Goals
3. Choosing the Right eBook Platform
 - Popular eBook Platforms
 - Features to Look for in an Meade Rcx40user Guide
 - User-Friendly Interface
4. Exploring eBook Recommendations from Meade Rcx40user Guide
 - Personalized Recommendations
 - Meade Rcx40user Guide User Reviews and Ratings
 - Meade Rcx40user Guide and Bestseller Lists
5. Accessing Meade Rcx40user Guide Free and Paid eBooks
 - Meade Rcx40user Guide Public Domain eBooks
 - Meade Rcx40user Guide eBook Subscription Services
 - Meade Rcx40user Guide Budget-Friendly Options
6. Navigating Meade Rcx40user Guide eBook Formats

- ePub, PDF, MOBI, and More
 - Meade Rcx40user Guide Compatibility with Devices
 - Meade Rcx40user Guide Enhanced eBook Features
7. Enhancing Your Reading Experience
 - Adjustable Fonts and Text Sizes of Meade Rcx40user Guide
 - Highlighting and Note-Taking Meade Rcx40user Guide
 - Interactive Elements Meade Rcx40user Guide
 8. Staying Engaged with Meade Rcx40user Guide
 - Joining Online Reading Communities
 - Participating in Virtual Book Clubs
 - Following Authors and Publishers Meade Rcx40user Guide
 9. Balancing eBooks and Physical Books Meade Rcx40user Guide
 - Benefits of a Digital Library
 - Creating a Diverse Reading Collection Meade Rcx40user Guide
 10. Overcoming Reading Challenges
 - Dealing with Digital Eye Strain
 - Minimizing Distractions
 - Managing Screen Time
 11. Cultivating a Reading Routine Meade Rcx40user Guide
 - Setting Reading Goals Meade Rcx40user Guide
 - Carving Out Dedicated Reading Time
 12. Sourcing Reliable Information of Meade Rcx40user Guide
 - Fact-Checking eBook Content of Meade Rcx40user Guide
 - Distinguishing Credible Sources
 13. Promoting Lifelong Learning
 - Utilizing eBooks for Skill Development
 - Exploring Educational eBooks
 14. Embracing eBook Trends
 - Integration of Multimedia Elements
 - Interactive and Gamified eBooks

Meade Rcx40user Guide Introduction

Free PDF Books and Manuals for Download: Unlocking Knowledge at Your Fingertips In today's fast-paced digital age, obtaining valuable knowledge has become easier than ever. Thanks to the internet, a vast array of books and manuals are now available for free download in PDF format. Whether you are a student, professional, or simply an avid reader, this treasure trove of downloadable resources offers a wealth of information, conveniently accessible anytime, anywhere. The advent of online libraries and platforms dedicated to sharing knowledge has revolutionized the way we consume information. No longer confined to physical libraries or bookstores, readers can now access an extensive collection of digital books and manuals with just a few clicks. These resources, available in PDF, Microsoft Word, and PowerPoint formats, cater to a wide range of interests, including literature, technology, science, history, and much more. One notable platform where you can explore and download free Meade Rcx40user Guide PDF books and manuals is the internet's largest free library. Hosted online, this catalog compiles a vast assortment of documents, making it a veritable goldmine of knowledge. With its easy-to-use website interface and customizable PDF generator, this platform offers a user-friendly experience, allowing individuals to effortlessly navigate and access the information they seek. The availability of free PDF books and manuals on this platform demonstrates its commitment to democratizing education and empowering individuals with the tools needed to succeed in their chosen fields. It allows anyone, regardless of their background or financial limitations, to expand their horizons and gain insights from experts in various disciplines. One of the most significant advantages of downloading PDF books and manuals lies in their portability. Unlike physical copies, digital books can be stored and carried on a single device, such as a tablet or smartphone, saving valuable space and weight. This convenience makes it possible for readers to have their entire library at their fingertips, whether they are commuting, traveling, or simply enjoying a lazy afternoon at home. Additionally, digital files are easily searchable, enabling readers to locate specific information within seconds. With a few keystrokes, users can search for keywords, topics, or phrases, making research and finding relevant information a breeze. This efficiency saves time and effort, streamlining the learning process and allowing individuals to focus on extracting the information they need. Furthermore, the availability of free PDF books and manuals fosters a culture of continuous learning. By removing financial barriers, more people can access educational resources and pursue lifelong learning, contributing to personal growth and professional development. This democratization of knowledge promotes intellectual curiosity and empowers individuals to become lifelong learners, promoting progress and innovation in various fields. It is worth noting that while accessing free Meade Rcx40user Guide PDF books and manuals is convenient and cost-effective, it is vital to respect copyright laws and intellectual property rights. Platforms offering free downloads often operate within legal boundaries, ensuring that the materials they provide are either in the public domain or authorized for distribution. By adhering to copyright laws, users can enjoy the benefits of free access to knowledge while supporting the authors and publishers who

make these resources available. In conclusion, the availability of Meade Rcx40user Guide free PDF books and manuals for download has revolutionized the way we access and consume knowledge. With just a few clicks, individuals can explore a vast collection of resources across different disciplines, all free of charge. This accessibility empowers individuals to become lifelong learners, contributing to personal growth, professional development, and the advancement of society as a whole. So why not unlock a world of knowledge today? Start exploring the vast sea of free PDF books and manuals waiting to be discovered right at your fingertips.

FAQs About Meade Rcx40user Guide Books

How do I know which eBook platform is the best for me? Finding the best eBook platform depends on your reading preferences and device compatibility. Research different platforms, read user reviews, and explore their features before making a choice. Are free eBooks of good quality? Yes, many reputable platforms offer high-quality free eBooks, including classics and public domain works. However, make sure to verify the source to ensure the eBook credibility. Can I read eBooks without an eReader? Absolutely! Most eBook platforms offer web-based readers or mobile apps that allow you to read eBooks on your computer, tablet, or smartphone. How do I avoid digital eye strain while reading eBooks? To prevent digital eye strain, take regular breaks, adjust the font size and background color, and ensure proper lighting while reading eBooks. What the advantage of interactive eBooks? Interactive eBooks incorporate multimedia elements, quizzes, and activities, enhancing the reader engagement and providing a more immersive learning experience. Meade Rcx40user Guide is one of the best book in our library for free trial. We provide copy of Meade Rcx40user Guide in digital format, so the resources that you find are reliable. There are also many Ebooks of related with Meade Rcx40user Guide. Where to download Meade Rcx40user Guide online for free? Are you looking for Meade Rcx40user Guide PDF? This is definitely going to save you time and cash in something you should think about.

Find Meade Rcx40user Guide :

[inside ipos](#)

[inn places 1996](#)

[innings age](#)

[inside bowling for women](#)

[inner chamber the beginning](#)

innocent in newfoundland

insanity individuals and society in late-medieval english literature the subject of madness.

ingl s en un mes sin maestro

inner truth wisdom of the tarot

inquiry & decision a methodology for management & the social sciences

inorganic chemistry unit 6

iniciacion a la metafisica

innovation dereglementation et concurrence dans les telecommunications

insect sex pheromones

initial effects of ionizing radiations o

Meade Rcx40user Guide :

soulcraft crossing into the mysteries of nature and psyche - Aug 03 2023

web bill plotkin soulcraft crossing into the mysteries of nature and psyche paperback 29 august 2003 by bill plotkin author 4 6 376 ratings see all formats and editions kindle 17 34 read with our free app

soulcraft crossing into the mysteries of nature and psyche - Jan 28 2023

web aug 29 2003 soulcraft crossing into the mysteries of nature and psyche by bill plotkin thomas berry foreword by 3 0 write a review paperback 19 95 paperback 19 95 ebook 14 49 view all available formats editions ship this item qualifies for free shipping choose expedited shipping at checkout for delivery by wednesday

soulcraft crossing into the mysteries of nature and psyche - Apr 30 2023

web buy soulcraft crossing into the mysteries of nature and psyche by plotkin bill thomas berry isbn 8580001183077 from amazon s book store everyday low prices and free delivery on eligible orders

soulcraft crossing into the mysteries of nature and psyche - Sep 23 2022

web a modern handbook for the journey soulcraft is not an imitation of indigenous ways but a contemporary nature based approach born from wilderness experience the traditions of western culture and the cross cultural heritage of all humanity

amazon com customer reviews soulcraft crossing into the mysteries - Jun 20 2022

web soulcraft crossing into the mysteries of nature and psyche by how customer reviews and ratings work will szal read more 41 people found this helpful critical reviews one person found this helpful sign in to filter reviews 408 total ratings 114 with reviews from the united states will szal nature based spirituality

soulcraft malaikat dan setan dalam petualangan jurnalponsel - Feb 14 2022

web jul 15 2021 menawarkan petualangan seru seorang malaikat melawan setan dengan menjelajah dengeon pahlawan disini dapat anda perankan anda dapat memilih menjadi malaikat ataupun demons disini anda juga dapat memainkan game ini secara offline sehingga lebih irit baterai dengan fitur fitur yang keren dilengkapi grafis yang memukau

soulcraft crossing into the mysteries of nature and psyche bill - Aug 23 2022

web soulcraft crossing into the mysteries of nature and psyche bill plotkin amazon sg books

books by bill plotkin animas valley institute - Dec 27 2022

web soulcraft crossing into the mysteries of nature and psyche bill plotkin s first book soulcraft crossing into the mysteries of nature and psyche provides a thorough overview of the practices utilized in animas programs and of the mystical descent into the underworld of soul learn more

nature and the human soul table of contents animas valley institute - Apr 18 2022

web soulcraft crossing into the mysteries of nature and psyche nature and the human soul cultivating wholeness and community in a fragmented world wild mind a field guide to the human psyche the journey of soul initiation a field guide for visionaries evolutionaries and revolutionaries

soulcraft crossing into the mysteries of nature and psyche goodreads - Sep 04 2023

web aug 29 2003 soulcraft masterfully explores the deep and mystical connections between the human psyche soul and nature and does it using simple eloquent language to describe richly nuanced ideas about spirituality wholeness initiation and truth

soulcraft crossing into the mysteries of nature and psyche - Mar 30 2023

web new world library oct 5 2010 self help 400 pages since 1980 depth psychologist bill plotkin has been guiding women and men into the wilderness the redrock canyons and snow crested

soulcraft crossing into the mysteries of nature and psyche - Feb 26 2023

web soulcraft crossing into the mysteries of nature and psyche bill plotkin google books since 1980 jungian psychologist bill plotkin has been guiding men and women into the

soulcraft crossing into the mysteries of nature and psyche - Jul 22 2022

web soulcraft crossing into the mysteries of nature and psyche by plotkin bill 1950 publication date 2003 topics self actualization psychology soul psychological aspects vision quests publisher novato calif new world library collection inlibrary printdisabled internetarchivebooks contributor internet archive language english

save 86 on soulcraft on steam - Mar 18 2022

web jun 1 2015 click here to see them humankind is on the brink to discover the secret of eternal life fearful of their existence angels and demons make a pact to proclaim the apocalypse enabling them to materialize on earth and fight the

humans

[soulcraft animas valley institute](#) - Jun 01 2023

web a border crossing into mystery soulcraft is rooted in depth psychology wilderness experience and the poetic tradition it is not an imitation of indigenous ways but a contemporary nature based approach born from the landscapes of the american wilderness the traditions of western culture and the cross cultural heritage of all humanity

our founder animas valley institute - May 20 2022

web bill is the author of soulcraft crossing into the mysteries of nature and psyche an experiential guidebook nature and the human soul cultivating wholeness and community in a fragmented world a nature based stage model of human development through the entire lifespan wild mind a field guide to the human psyche an

soulcraft crossing into the mysteries of nature and psyche - Oct 05 2023

web aug 29 2003 a modern handbook for the journey soulcraft is not an imitation of indigenous ways but a contemporary nature based approach born from wilderness experience the traditions of western culture and the cross cultural heritage of all humanity

soulcraft crossing into the mysteries of nature and psyche - Oct 25 2022

web soulcraft crossing into the mysteries of nature and psyche audible audiobook unabridged bill plotkin phd author rob grgach narrator 1 more 4 6 392 ratings see all formats and editions kindle 9 99 read with our free app audiobook 0 00 free with your audible trial

soulcraft crossing into the mysteries of nature and psyche - Jul 02 2023

web soulcraft crossing into the mysteries of nature and psyche plotkin bill berry thomas amazon sg books

[soulcraft crossing into the mysteries of nature and psyche by](#) - Nov 25 2022

web aug 29 2003 in soulcraft bill plotkin gives us an authentic masterwork in the substance of what he has written in the clarity of his presentation and in the historical urgency of the subject he has guided us far into the new world that is opening up before us

herz und hirn bauchgefühle geschichten über unsere inneren - Oct 05 2022

web diese liebevollen comics erzählen farbenfroh und humorvoll von unserem alltäglichen zwist zwischen trieb und vernunft das herz verkörpert unsere gefühlsbetonte kindliche und impulsive seite das hirn steht für unsere erwachsene rationale seite für mäßigung und intelligenz aber auch für unsere Ängste

herz und hirn bauchgefühle geschichten über unsere inneren - Jan 08 2023

web herz und hirn bauchgefühle geschichten über unsere inneren konflikte by nick seluk the awkward yeti is accessible in our book collection an online access to it is set as public so you can get it instantaneously digital resources find digital

datasheets resources herz und hirn bauchgefuhle geschichten über unsere inneren

herz und hirn bauchgefuhle geschichten über unser download - Nov 06 2022

web herz und hirn bauchgefuhle geschichten über unser geschichte der osmanischen dichtung bis auf unsere zeit bd von der regierung sultan suleiman s des gesetzgebers bis zu der sultan murad s iii 1521 1574 apr 23 2022 zur geschichte der christlichen heilsgewissheit von augustin bis zur hochscholastik

herz und hirn bauchgefuhle geschichten über unsere inneren - Jan 28 2022

web auf theawkwardyeti.com und in dem buch the awkward yeti in cartoons erzählt herz und hirn das auch auf deutsch erschien war sein zweites buch seluk lebt mit seiner frau drei kleinen kindern und einem liebenswerten alten hund in einem vorort von detroit herz und hirn bauchgefuhle geschichten über unsere inneren

herz und hirn bauchgefuhle geschichten über unsere inneren - Apr 11 2023

web herz und hirn bauchgefuhle geschichten über unsere inneren digital resources find digital datasheets resources Über den autor und weitere mitwirkende nick seluk hat neun jahre lang als grafikdesigner gearbeitet bevor er sich seinen lebensraum erfüllte und professioneller cartoonist wurde 2012 erschuf er die comicfigur the awkward yeti

herz und hirn bauchgefuhle geschichten über unsere inneren - Mar 10 2023

web herz und hirn das auch auf deutsch erschien war sein zweites buch seluk lebt mit seiner frau drei kleinen kindern und einem liebenswerten alten hund in einem vorort von detroit herz und hirn bauchgefuhle geschichten über unsere inneren may 8th 2020 herz und hirn bauchgefuhle geschichten über unsere inneren oj691212020 adobe

herz und hirn bauchgefuhle geschichten über unsere inneren - Aug 15 2023

web diese liebevollen comics erzählen farbenfroh und humorvoll von unserem alltäglichen zwist zwischen trieb und vernunft das herz verkörpert unsere gefühlsbetonte kindliche und impulsive seite das hirn steht für unsere erwachsene rationale seite für mäßigung und intelligenz aber auch für unsere Ängste

herz und hirn bauchgefuhle geschichten über unsere inneren - Jun 13 2023

web herz und hirn bauchgefuhle geschichten über unsere inneren konflikte ebook written by nick seluk the awkward yeti read this book using google play books app on your pc android ios

herz und hirn bauchgefuhle geschichten über unsere inneren - Dec 07 2022

web herz und hirn das auch auf deutsch erschien war sein zweites buch seluk lebt mit seiner frau drei kleinen kindern und einem liebenswerten alten hund in einem vorort von detroit herz und hirn bauchgefuhle geschichten über unsere inneren

herz und hirn bauchgefuhle geschichten über unser - Feb 26 2022

web as this herz und hirn bauchgefuhle geschichten über unser it ends happening monster one of the favored books herz und hirn bauchgefuhle geschichten über unser collections that we have this is why you remain in the best website to see the

amazing book to have how i broke up with my colon nick seluk 2020 03 24

herz und hirn bauchgefühle ebook v nick seluk u weitere - Mar 30 2022

web als ebook bei weltbild ch herunterladen bequem mit ihrem tablet oder ebook reader lesen herz und hirn bauchgefühle von nick seluk versandkostenfrei 30 tage widerrufsrecht

herz und hirn bauchgefühle geschichten über unsere inneren - Jul 02 2022

web erschien war sein zweites buch seluk lebt mit seiner frau drei kleinen kindern und einem liebenswerten alten hund in einem vorort von detroit herz und hirn bauchgefuhle geschichten über unsere inneren may 8th 2020 herz und hirn bauchgefuhle geschichten über unsere inneren oj691212020 adobe acrobat reader dcdownload adobe

herz und hirn bauchgefuhle geschichten über unser 2023 - May 12 2023

web herz und hirn bauchgefuhle geschichten über unser gelassenheit gewinnen 30 bilder für ein starkes selbst dec 29 2019 bei stress unzufriedenheit oder sorgen gelassen zu bleiben das wäre eine gute reaktion auf die anforderungen des beruflichen und privaten lebens statt

herz und hirn bauchgefuhle geschichten über unser pdf - Jun 01 2022

web jun 15 2023 herz und hirn bauchgefuhle geschichten über unser 1 13 downloaded from uniport edu ng on june 15 2023 by guest herz und hirn bauchgefuhle geschichten über unser when people should go to the book stores search initiation by shop shelf by shelf it is really problematic this is why we give the book compilations in this website

herz und hirn bauchgefühle geschichten über unsere inneren - Dec 27 2021

web dem buch the awkward yeti in cartoons erzählt herz und hirn das auch auf deutsch erschien war sein zweites buch seluk lebt mit seiner frau drei kleinen kindern und einem liebenswerten alten hund in einem vorort von detroit herz und hirn bauchgefuhle geschichten über unsere inneren

herz und hirn bauchgefuhle geschichten über unser analytics - Sep 04 2022

web herz und hirn bauchgefuhle geschichten über unser eventually you will unquestionably discover a new experience and achievement by spending more cash herz und hirn bauchgefuhle geschichten über unser analytics testkestories created date 8 30 2023 9 14 28 pm

die drei intelligenzzentren in der führung bauch herz und kopf - Apr 30 2022

web obwohl wir ein organ namens gehirn haben haben wir verschiedene intelligenzzentren die bei unseren entscheidungen beteiligt sind und man unterscheidet im wesentlichen drei zentren das stammhirn das limbische system und der neocortex man sagt auch bauch herz und kopf wären die namen für diese drei intelligenzzentren

herz und hirn bauchgefühle kobo com - Jul 14 2023

web sep 25 2022 rakuten kobo dan the awkward yeti tarafindan herz und hirn bauchgefühle geschichten über unsere

inneren konflikte kitabını okuyun diese liebevollen comics erzählen farbenfroh und humorvoll von unserem alltäglichen zwist zwischen trieb und vernunft d

herz und hirn bauchgefühle geschichten über unsere inneren - Feb 09 2023

web diese liebevollen comics erzählen farbenfroh und humorvoll von unserem alltäglichen zwist zwischen trieb und vernunft das herz verkörpert unsere gefühlsbetonte kindliche und impulsive seite das hirn steht für unsere erwachsene rationale seite für mäßigung und intelligenz aber auch für unsere Ängste

das geheimnis unseres bauchgehirns quarks de - Aug 03 2022

web nov 18 2018 das geheimnis unseres bauchgehirns in unserem bauch verbirgt sich eine schaltzentrale ein nervensystem das aufgebaut ist wie das gehirn in unserem kopf wissenschaftler bezeichnen es als enterisches nervensystem oder schlicht als bauchgehirn 18

newconcepts in protein nutrition of ruminants pdf wikimid2 aapg - Nov 06 2022

web this book is intended to be a companion volume to protein nutrition in ruminants 1982 academic press which emphasized both the role of proteins and new systems for their evaluation here the focus is on energy yielding nutrients and problems involved in evaluating them

protein nutrition in ruminants semantic scholar - Feb 09 2023

web protein nutrition in ruminants physiology of the ruminant stomach nitrogen metabolism rumen microorganisms and their nutrition dynamics of nitrogen in the rumen host animal protein requirement and protein utilization toward new

new concepts in protein nutrition of ruminants 2022 - Sep 04 2022

web sustaining protein nutrition through plant based foods a paradigm shift a new concept for practical feed evaluation systems williams essentials of nutrition and diet therapy revised reprint e book

energy protein ratio in ruminants insights from the intragastric - Jun 13 2023

web sep 15 2021 ruminants have the innate ability to distinguish between protein and energy yielding nutrients and prioritise essential nutrients to maintain tissue protein by using body fat reserves to fuel the energetic costs of protein deposition the classical concept of e p ratio does not consider the potential role of endogenous energy

new concepts in protein nutrition of ruminants wrbb neu - Feb 26 2022

web its just about what you habit currently this new concepts in protein nutrition of ruminants as one of the most functional sellers here will entirely be in the midst of the best options to review new concepts in protein nutrition of ruminants 2021 09 24 fitzgerald douglas amino acids in animal nutrition academic press nutrition

pdf protein sources in ruminant nutrition researchgate - Jan 08 2023

web oct 28 2011 the rumen degradable protein meets protein requirements for ruminal microbial growth and protein

synthesis once reaching the rumen feed and protein degradation is a function of microbial activity

[ruminant nutrition an overview sciencedirect topics](#) - Apr 11 2023

web the topics of protein and energy utilization partitioning have been widely covered in the literature hence this section will only summarize the major nutritional implications of feeding legumes to ruminants and offers some management paradigms to improve protein and energy utilization efficiency

review optimizing ruminant conversion of feed protein to pubmed - Mar 10 2023

web abstract ruminant livestock have the ability to produce high quality human food from feedstuffs of little or no value for humans balanced essential amino acid composition of meat and milk from ruminants makes those protein sources valuable adjuncts to

new concepts in protein nutrition of ruminants full pdf - Dec 07 2022

web chapters cover measurement of protein digestion in ruminants evaluation of protein status in humans surgical models to measure organ amino acid metabolism in vivo and measurement of whole body protein content in vivo

[new concepts in protein nutrition of ruminants pdf](#) - Jun 01 2022

web protein sparing parenteral nutrition principles of protein nutrition of ruminants protein and energy nutrition and medical practice a new concept and its application for protein sparing therapies during semi starvation nutrition concepts and controversies public health nutrition novel proteins for food pharmaceuticals and agriculture

new concepts in protein nutrition of ruminants pdf - Aug 15 2023

web new concepts in protein nutrition of ruminants evaluation of novel protein products nov 20 2021 evaluation of novel protein products is a collection of several scientific essays that resulted from a symposium held in stockholm the order in which the essays are arranged follows a session type format session 1 focuses on the

new concepts in protein nutrition of ruminants download only - Mar 30 2022

web modern methods in protein nutrition and metabolism sustaining protein nutrition through plant based foods a paradigm shift methods for investigation of amino acid and protein metabolism forage in ruminant nutrition nutrient requirements of beef cattle new concepts in protein nutrition of ruminants omb no edited by underwood

new concepts in protein nutrition of ruminants pdf - Apr 30 2022

web new concepts in protein nutrition of ruminants 1 new concepts in protein nutrition of ruminants methods for investigation of amino acid and protein metabolism a new concept and its application for protein sparing therapies during semi starvation principles of animal nutrition protein sparing parenteral nutrition

proteins in ruminant nutrition dr atiq ullah khan marwat - Oct 05 2022

web proteins in ruminant nutrition dr atiq ullah khan marwat protein requirements for high rates of growth in ruminants

cannot be met solely from microbial protein synthesis in the rumen therefore supplementation with high quality rumen undegradable protein is necessary due to the high cost of protein supplements ways and means of protecting *amino acid nutrition and reproductive performance in ruminants* - May 12 2023

web mar 27 2021 this new concept has far reaching implications for the nutrition of ruminants and their dietary supplementation with selected aas for example glutamate a major metabolic fuel for the small intestine and glutathione synthesis hou and wu 2017 2018 can be added to the diets of ruminants to improve digestive functions brake et al **new concepts in protein nutrition of ruminants** - Sep 16 2023

web energy nutrition in ruminants apr 15 2022 this book is intended to be a companion volume to protein nutrition in ruminants 1982 academic press which emphasized both the role of proteins and new systems for their evaluation here the focus is on energy yielding nutrients and problems involved in evaluating them nonetheless in both volumes

newconceptsinproteinnutritionofruminants dev sfcg - Jul 02 2022

web nutritional ecology of the ruminant protein contribution of feedstuffs for ruminants ruminant nitrogen usage proceedings inra feeding system for ruminants nonprotein nitrogen in the nutrition of ruminants ruminant physiology principles of protein nutrition of ruminants ruminant nutrition applied animal nutrition energy nutrition

new concepts in protein nutrition of ruminants dairyweb - Oct 17 2023

web introduction amino acids are supplied to the duodenum of ruminants by microbial protein synthesized in the rumen undegraded dietary protein and endogenous protein microbial protein usually accounts for a substantial portion of new concepts in protein nutrition of ruminants 2023 - Jul 14 2023

web nonprotein nitrogen in the nutrition of ruminants sep 25 2021 nitrogen and energy nutrition of ruminants jan 10 2023 this comprehensive volume examines the interrelationships of nitrogen and energy nutrition of ruminants it provides exhaustive coverage of basic concepts applications and new research developments

from diets to splanchnic released energetic nutrients brill - Aug 03 2022

web oct 30 2010 to meet the new constraints and or objectives of ruminant production systems feeding systems have to evolve to be more nutrient based the energy value of feeds being still defined as an aggregated unit objective of the present work was to evaluate the feasibility of describing energy by the amount of energetic nutrients appearing in the