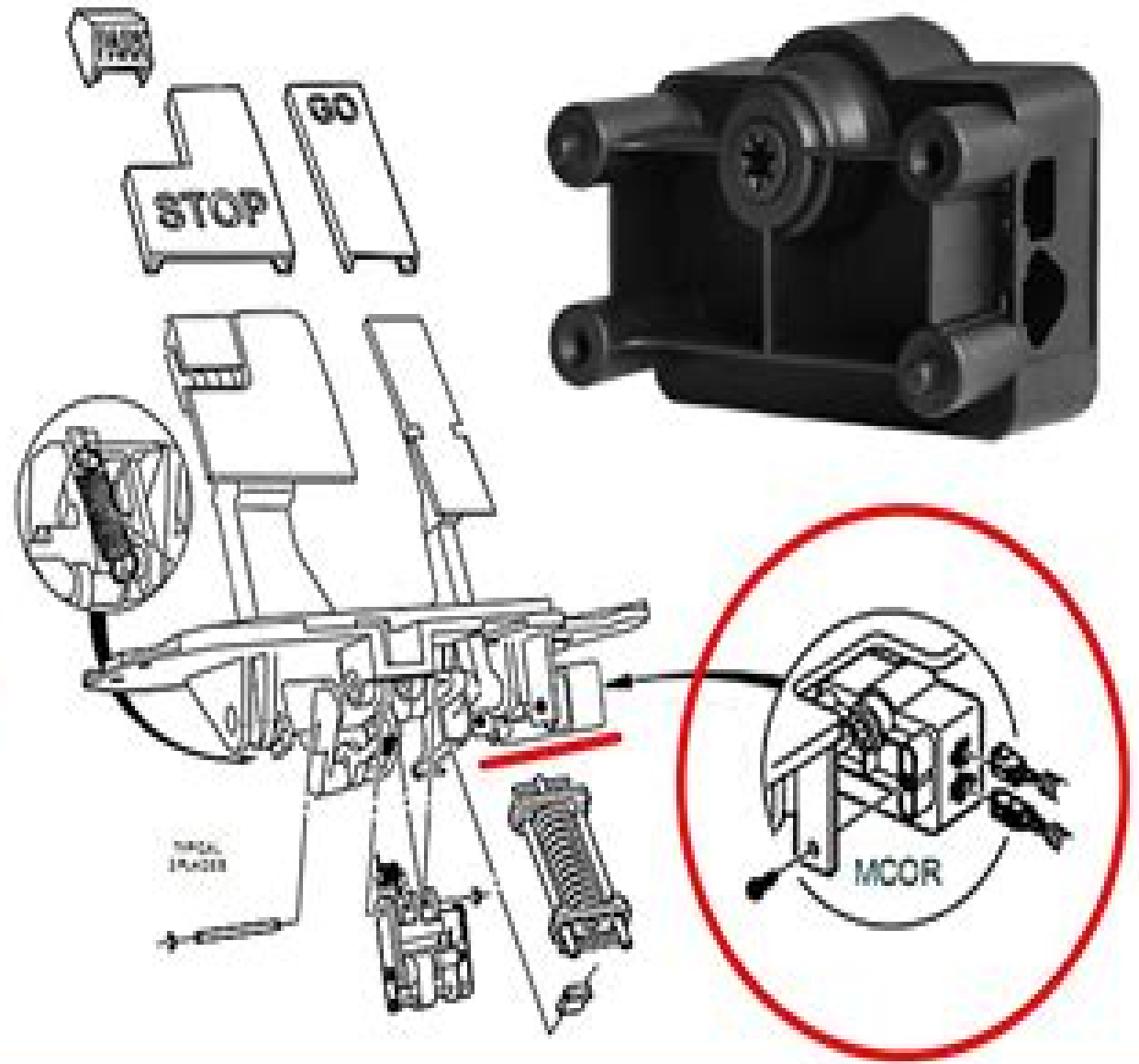


Mosnai



The MCOR translates power to the motor when the accelerator is pressed, solved the hesitation problem in your Club Car DS golf cart.

Mcor On Club Car

IM Harris



Mcor On Club Car:

Right here, we have countless book **Mcor On Club Car** and collections to check out. We additionally have enough money variant types and after that type of the books to browse. The welcome book, fiction, history, novel, scientific research, as with ease as various further sorts of books are readily to hand here.

As this Mcor On Club Car, it ends taking place being one of the favored book Mcor On Club Car collections that we have. This is why you remain in the best website to look the amazing books to have.

<https://staging.conocer.cide.edu/About/browse/index.jsp/Increasing%20Customer%20Facility%20Guide%20To%20Lsten%20To%20Customers.pdf>

Table of Contents Mcor On Club Car

1. Understanding the eBook Mcor On Club Car
 - The Rise of Digital Reading Mcor On Club Car
 - Advantages of eBooks Over Traditional Books
2. Identifying Mcor On Club Car
 - Exploring Different Genres
 - Considering Fiction vs. Non-Fiction
 - Determining Your Reading Goals
3. Choosing the Right eBook Platform
 - Popular eBook Platforms
 - Features to Look for in an Mcor On Club Car
 - User-Friendly Interface
4. Exploring eBook Recommendations from Mcor On Club Car
 - Personalized Recommendations
 - Mcor On Club Car User Reviews and Ratings
 - Mcor On Club Car and Bestseller Lists
5. Accessing Mcor On Club Car Free and Paid eBooks

- Mcor On Club Car Public Domain eBooks
 - Mcor On Club Car eBook Subscription Services
 - Mcor On Club Car Budget-Friendly Options
6. Navigating Mcor On Club Car eBook Formats
- ePub, PDF, MOBI, and More
 - Mcor On Club Car Compatibility with Devices
 - Mcor On Club Car Enhanced eBook Features
7. Enhancing Your Reading Experience
- Adjustable Fonts and Text Sizes of Mcor On Club Car
 - Highlighting and Note-Taking Mcor On Club Car
 - Interactive Elements Mcor On Club Car
8. Staying Engaged with Mcor On Club Car
- Joining Online Reading Communities
 - Participating in Virtual Book Clubs
 - Following Authors and Publishers Mcor On Club Car
9. Balancing eBooks and Physical Books Mcor On Club Car
- Benefits of a Digital Library
 - Creating a Diverse Reading Collection Mcor On Club Car
10. Overcoming Reading Challenges
- Dealing with Digital Eye Strain
 - Minimizing Distractions
 - Managing Screen Time
11. Cultivating a Reading Routine Mcor On Club Car
- Setting Reading Goals Mcor On Club Car
 - Carving Out Dedicated Reading Time
12. Sourcing Reliable Information of Mcor On Club Car
- Fact-Checking eBook Content of Mcor On Club Car
 - Distinguishing Credible Sources
13. Promoting Lifelong Learning
- Utilizing eBooks for Skill Development

- Exploring Educational eBooks
- 14. Embracing eBook Trends
 - Integration of Multimedia Elements
 - Interactive and Gamified eBooks

Mcor On Club Car Introduction

In today's digital age, the availability of Mcor On Club Car books and manuals for download has revolutionized the way we access information. Gone are the days of physically flipping through pages and carrying heavy textbooks or manuals. With just a few clicks, we can now access a wealth of knowledge from the comfort of our own homes or on the go. This article will explore the advantages of Mcor On Club Car books and manuals for download, along with some popular platforms that offer these resources. One of the significant advantages of Mcor On Club Car books and manuals for download is the cost-saving aspect. Traditional books and manuals can be costly, especially if you need to purchase several of them for educational or professional purposes. By accessing Mcor On Club Car versions, you eliminate the need to spend money on physical copies. This not only saves you money but also reduces the environmental impact associated with book production and transportation. Furthermore, Mcor On Club Car books and manuals for download are incredibly convenient. With just a computer or smartphone and an internet connection, you can access a vast library of resources on any subject imaginable. Whether you're a student looking for textbooks, a professional seeking industry-specific manuals, or someone interested in self-improvement, these digital resources provide an efficient and accessible means of acquiring knowledge. Moreover, PDF books and manuals offer a range of benefits compared to other digital formats. PDF files are designed to retain their formatting regardless of the device used to open them. This ensures that the content appears exactly as intended by the author, with no loss of formatting or missing graphics. Additionally, PDF files can be easily annotated, bookmarked, and searched for specific terms, making them highly practical for studying or referencing. When it comes to accessing Mcor On Club Car books and manuals, several platforms offer an extensive collection of resources. One such platform is Project Gutenberg, a nonprofit organization that provides over 60,000 free eBooks. These books are primarily in the public domain, meaning they can be freely distributed and downloaded. Project Gutenberg offers a wide range of classic literature, making it an excellent resource for literature enthusiasts. Another popular platform for Mcor On Club Car books and manuals is Open Library. Open Library is an initiative of the Internet Archive, a non-profit organization dedicated to digitizing cultural artifacts and making them accessible to the public. Open Library hosts millions of books, including both public domain works and contemporary titles. It also allows users to borrow digital copies of certain books for a limited period, similar to a library lending system. Additionally, many universities and educational institutions have their own digital libraries that provide free

access to PDF books and manuals. These libraries often offer academic texts, research papers, and technical manuals, making them invaluable resources for students and researchers. Some notable examples include MIT OpenCourseWare, which offers free access to course materials from the Massachusetts Institute of Technology, and the Digital Public Library of America, which provides a vast collection of digitized books and historical documents. In conclusion, Mcor On Club Car books and manuals for download have transformed the way we access information. They provide a cost-effective and convenient means of acquiring knowledge, offering the ability to access a vast library of resources at our fingertips. With platforms like Project Gutenberg, Open Library, and various digital libraries offered by educational institutions, we have access to an ever-expanding collection of books and manuals. Whether for educational, professional, or personal purposes, these digital resources serve as valuable tools for continuous learning and self-improvement. So why not take advantage of the vast world of Mcor On Club Car books and manuals for download and embark on your journey of knowledge?

FAQs About Mcor On Club Car Books

What is a Mcor On Club Car PDF? A PDF (Portable Document Format) is a file format developed by Adobe that preserves the layout and formatting of a document, regardless of the software, hardware, or operating system used to view or print it.

How do I create a Mcor On Club Car PDF? There are several ways to create a PDF: Use software like Adobe Acrobat, Microsoft Word, or Google Docs, which often have built-in PDF creation tools. Print to PDF: Many applications and operating systems have a "Print to PDF" option that allows you to save a document as a PDF file instead of printing it on paper. Online converters: There are various online tools that can convert different file types to PDF.

How do I edit a Mcor On Club Car PDF? Editing a PDF can be done with software like Adobe Acrobat, which allows direct editing of text, images, and other elements within the PDF. Some free tools, like PDFescape or Smallpdf, also offer basic editing capabilities.

How do I convert a Mcor On Club Car PDF to another file format? There are multiple ways to convert a PDF to another format: Use online converters like Smallpdf, Zamzar, or Adobe Acrobat's export feature to convert PDFs to formats like Word, Excel, JPEG, etc. Software like Adobe Acrobat, Microsoft Word, or other PDF editors may have options to export or save PDFs in different formats.

How do I password-protect a Mcor On Club Car PDF? Most PDF editing software allows you to add password protection. In Adobe Acrobat, for instance, you can go to "File" -> "Properties" -> "Security" to set a password to restrict access or editing capabilities. Are there any free alternatives to Adobe Acrobat for working with PDFs? Yes, there are many free alternatives for working with PDFs, such as: LibreOffice: Offers PDF editing features. PDFsam: Allows splitting, merging, and editing PDFs. Foxit Reader: Provides basic PDF viewing and editing capabilities. How do I compress a PDF file? You can use online tools like Smallpdf, ILovePDF, or desktop software like Adobe Acrobat to compress PDF files without

significant quality loss. Compression reduces the file size, making it easier to share and download. Can I fill out forms in a PDF file? Yes, most PDF viewers/editors like Adobe Acrobat, Preview (on Mac), or various online tools allow you to fill out forms in PDF files by selecting text fields and entering information. Are there any restrictions when working with PDFs? Some PDFs might have restrictions set by their creator, such as password protection, editing restrictions, or print restrictions. Breaking these restrictions might require specific software or tools, which may or may not be legal depending on the circumstances and local laws.

Find Mcor On Club Car :

increasing customer facility guide to listen to customers

image based modeling

immigration nz visitor visa guide

in vino sinceritas piegravece ndeg de pertuit patrice

in anima vili les mystegraveres de druon de breacutevaux tome

impulse trailer brake controller manual

in a strange land public sex multiple men english edition

improved 2010 factory polaris sportsman 850 shop manual pro

in my real love life hqn

incas ou la destruction de lempire du peacuterou les

inclusion in action foreman

incentives and performance governance of research organizations

imr reload guide

incarceration it aint no fun bro

imac g4 user manual

Mcor On Club Car :

all farm boy grocery stores in ontario - May 17 2023

web 1 2 3 next shopping cart farm boy 44 food stores located in brantford burlington cambridge cornwall hamilton kingston
kitchener london newmarket oakville ottawa all stores pickering st catharines toronto and whitby

farm boy definition of farm boy by the free dictionary - Jan 13 2023

web define farm boy farm boy synonyms farm boy pronunciation farm boy translation english dictionary definition of farm boy noun 1 farm boy a boy who has grown up on a farm boy male child a youthful male person the baby was a boy she made the boy brush his teeth every

[10 best farm boy products we can't stop eating chatelaine](#) - Mar 15 2023

web may 9 2018 we tasted the best in house products from canadian grocery chain farm boy that feature the unique and trendy flavours you'll want to stock up on asap here are some of our faves more at

farm boy wikipedia - Aug 20 2023

web farm boy queen s quay location farm boy bathurst street location farm boy inc is a canadian specialty food retailer operating in the province of ontario the company is based in ottawa ontario since 2018 the company is majority owned by the sobeys grocery chain s parent company empire company ltd 2

[farm boy flyer october 26 to november 1 2023 flyerhunters](#) - Apr 04 2022

web oct 16 2023 farm boy flyer and upcoming flyer savings and digital coupons at farm boy circular farm boy flyer products of this week browse farm boy flyer october 26 to november 1 2023

shop at the freshest grocery store farm boy - Sep 21 2023

web farm boy is your home for quality and freshness at an incredible value get inspired by our amazing selection of produce meats and more

[a new farm boy location is coming to mississauga soon](#) - Jun 06 2022

web mar 27 2023 farm boy known as the trader joe s of canada is opening its mississauga location along lakeshore road west near the mississauga road intersection in the brightwater community the new store is sized at approximately 25 000 sq ft and will create approximately 120 jobs in the neighbourhood

our products farm boy - Oct 10 2022

web our products hi we're new freshly added products for your enjoyment farm boy onion rings 400 g farm boy roadhouse flats 600 g farm boy ghost pepper hot sauce 150 ml farm boy spicy caldo verde soup 680 ml show more featured products we've hand picked some of our finest products just for you farm boy

[weekly flyer specials farm boy](#) - Nov 11 2022

web weekly flyer specials view specials list download flyer displaying weekly publication shopping cart indulge in a delectable journey through our flyer page brimming with

farm boy flyers weekly ads october 2023 - Aug 08 2022

web farm boy fairway plaza 385 fairway road south kitchener on canada farm boy 1415 beaverbrook avenue london on canada farm boy fanshawe park road east london on canada farm boy 1045 wellington road london on canada farm boy 3033

woodroffe avenue nepean on canada farm boy 2950 bank street

[farm boy novel wikipedia](#) - Jun 18 2023

web farm boy is a children s novel by michael morpurgo best known as being the sequel to the popular novel war horse the book was first published in the united kingdom in 1997 by pavilion books limited and is illustrated by michael foreman

farm boy facebook - Apr 16 2023

web farm boy 52 959 likes 1 141 talking about this 1 225 were here at farm boy it s all about the food we are a fresh market experience with locations across ontario

[farm boy youtube](#) - Sep 09 2022

web farm boy your local fresh food store stop by today for quality fresh produce natural and organic foods and fresh prepared wholesome meals made in the farm boy kitchen subscribe twitter

[what does farm boy mean definitions net](#) - May 05 2022

web definition of farm boy in the definitions net dictionary meaning of farm boy what does farm boy mean information and translations of farm boy in the most comprehensive dictionary definitions resource on the web

from small town grocer to billion dollar business meet farm boy - Jul 07 2022

web farm boy s rise from southern ontario produce stand to grocery empire is a unique and under celebrated canadian success story that s disrupting the country s grocery landscape in this email we re going to explore farm boy s humble origins their jaw dropping deal with sobeys what the deal means to the canadian grocery industry at large and

our story farm boy - Feb 14 2023

web mar 14 2015 farm boy started as a small produce only store in cornwall ontario in 1981 today there are 47 farm boy stores located throughout ontario with more stores coming

farm boy İngilizce tanımı bab la - Mar 03 2022

web chevron right oxford languages tarafından sağlanan İngilizce tanımlar farm boy volume up uk 'fɑ:m bɔɪ nouna boyor youngman who grewup on or works on a farmback in those days i was used to working because i m a farm boy daha harflere göre göz

online shop for your favorite farm boy meals farm boy - Jul 19 2023

web shop from our online store and get the best from farm boy such as catering dinners and gift cards right at your fingertips

farm boy 442 photos 43 reviews yelp - Dec 12 2022

web established in 1981 farm boy alderwood provides a unique friendly fresh market shopping experience featuring signature farm fresh produce butcher quality meats artisan cheese fresh dairy and popular private label products

contact us farm boy - Feb 02 2022

web email us click here call us 1 833 788 3401 we love hearing from our customers community organizations local vendors and potential farm boy team members please feel free to stop by any of our store locations give us a call or use our secure email form

building design and construction handbook sixth - Sep 12 2022

building design and construction handbook sixth edition mcgraw hill pdf building design and construction handbook sixth edition mcgraw hill paloma vale academia edu academia edu no longer supports internet explorer

archive building design construction - Aug 23 2023

building design construction july august 2023 may june 2023 issue of building design construction march april 2023 january february 2023 november december 2022 september october 2022 1 2 3 4 5 6 7 8 9 next last subscribe to mfdc magazine multifamily design construction mfdc fall 2022 issue mfdc summer 2022 issue nahb summer

building design wikipedia - Feb 17 2023

building design also called architectural design refers to the broadly based architectural engineering and technical applications to the design of buildings all building projects require the services of a building designer typically a licensed architect

full article building design and construction strategies for a - Apr 19 2023

systematic comparison of building design and construction strategies the following section presents the results of the slr shown in figure 3 leading to the developed taxonomy and the comparative analysis of the 16 building design and construction strategies presented in table 1

home building design construction - Sep 24 2023

building design construction is a leading business content platform for architects engineers contractors and building owners developers bd c is the only innovation and technology media platform serving the entire design and construction

leed v4 building design construction guide u s green building council - Nov 14 2022

reference guide for building design and construction applies to buildings that are being newly constructed or going through a major renovation new construction core and shell schools retail healthcare data centers hospitality warehouses and distribution centers use alongside the web based reference guide in the credit library

building construction events in istanbul 10times - Dec 15 2022

8 3 miles from istanbul organized by turkish ready mixed concrete association thbb and tg expo beton 2023 ready mixed concrete exhibition and beton 2023 congress will bring together the ready mixed concrete cement aggregate tradeshow building construction

what is design designing buildings - Apr 07 2022

designing buildings share your construction industry knowledge in very general terms design is the realisation of a concept idea or theory into a drawing plan specification model and so on that ultimately allows a series objectives to be achieved or resolved

top 180 architecture firms for 2022 building design construction - May 08 2022

aug 20 2022 turner construction brasfield gorrie je dunn construction dpr construction and mccarthy holdings top bd c s ranking of the nation s largest healthcare sector contractors and construction management cm firms for 2023 as reported in building design construction s 2023 giants 400 report

building design and construction handbook 6th edition - Jun 09 2022

the sixth edition of the building design and construction handbook maintains the original objectives of previous editions which gained widespread acceptance among users these objectives are to provide in a single volume a compendium of the best of the current knowledge and practices in building design and construction

what is generative design in architecture and construction autodesk - Aug 11 2022

jul 13 2022 generative design is the process of inputting design goals materials cost constraints and other data points into software that evaluates all possible solutions generative design allows architects and other partners in the construction process to identify the best design for a building based on real world data

architecture free full text key building design and construction - Jul 22 2023

mar 2 2023 ahmed i key building design and construction lessons from the 2023 türkiye syria earthquakes architecture 2023 3 1 104 106 doi org 10 3390 architecture3010007 chicago turabian style

tureng design and construction türkçe İngilizce sözlük - Feb 05 2022

design and construction of refillable seamless steel gas cylinders i tekrar doldurulabilir dikişsiz çelik gaz tüplerinin tasarımı ve yapımı construction 2 İnşaat facility design and construction i bina kullanım alanlarının tasarım ve yapımı medical 3

turkeybuild istanbul yapı fuari - Jun 21 2023

may 5 2023 now in its 46th year building construction materials and technologies exhibition yapı turkeybuild istanbul is the longest running event for the building industry in turkey it is a hub for turkish and international companies to reach a high powered audience of buyers decision makers and government influencers

giants 400 building design construction - May 20 2023

oct 17 2023 building design construction s giants 400 report ranks the largest architecture engineering and construction firms in the u s this year a record 519 aec firms participated in bd c s giants 400 report the final report includes more than 130 rankings across 25 building sectors and specialty categories check out the giants 400 page

the design build method of project delivery explained procore - Oct 13 2022

oct 10 2023 in design build construction an owner enters into a single contract to cover both the architectural design services and the physical construction of the build streamlining the collaboration communication and coordination process

top 160 architecture firms for 2021 building design construction - Jul 10 2022

aug 25 2021 top 160 architecture firms for 2021 gensler perkins and will hks and perkins eastman top the rankings of the nation s largest architecture firms for nonresidential and multifamily buildings work as reported in building design construction s 2021 giants 400 report by bd c staff august 25 2021

constructing architecture İstanbul modern - Mar 18 2023

constructing architecture a series of large scale prints explores the basic ideas behind the design developed by the renzo piano building workshop and the building s position in the city the fourth part of the exhibition construction workers focuses on the human labor and workers involved in the construction of istanbul modern s new

istanbul city archdaily - Jan 16 2023

may 28 2023 discover the latest architecture news and projects on istanbul at archdaily the world s largest architecture website stay up to date with articles and updates on the newest developments in

design and build construction designing buildings - Mar 06 2022

design and build construction during the construction stage the contractor takes possession of the site and carries out the construction works once the works are complete a certificate of practical completion is issued and the site is handed back to the client

recipes for peace vegan cookbook based on the tra - Jun 06 2022

recipes for peace vegan cookbook based on the traditional arabic cuisine bilingual arabic and english recipe book delicious and healthy plant based and low fat dishes

recipes for peace vegan cookbook based on the tra pdf - Aug 20 2023

we present you this proper as capably as simple habit to get those all we provide recipes for peace vegan cookbook based on the tra pdf and numerous ebook collections from fictions to scientific research in any way in the middle of them is this recipes for peace vegan cookbook based on the tra pdf that can be your partner

these 12 vegan cookbooks make a plant based diet easy - Mar 03 2022

oct 5 2023 adopt a new plant based diet with the help of these vegan cookbooks looking to switch to a plant based diet consider these 12 vegan cookbooks as your starter kit learn how to cook and enjoy meatless versions of classic dishes whether it s american comfort food favorites or globally inspired creations

recipes for peace vegan cookbook based on the tradi - Apr 16 2023

recipes for peace vegan cookbook based on the traditional middle eastern cuisine bilingual english and arabic recipe book

delicious and healthy plant based cookbook and low fat dishes
[recipes for peace vegan cookbook based on the tra](#) - Oct 10 2022

recipes for peace vegan cookbook based on the tra recipes for peace vegan cookbook based on the tra 2 downloaded from smcapproved com on 2022 02 22 by guest local seasonal bounty along with colorful food photography quotes from jane goodall interspersed throughout transform this vegan staple into an inspiring guide to reclaiming our

recipes for peace vegan cookbook based on the tra 2022 - May 17 2023

all plants the food you love the vegan way recipes for peace vegan cookbook based on the traditional arabic cuisine bilingual arabic and english recipe book delicious and healthy plant based and low fat dishes speed vegan please don t feed the bears hungry for peace the happy pear vegan cooking for everyone the world peace diet vegan

recipes for peace vegan cookbook based on the - Mar 15 2023

buy recipes for peace vegan cookbook based on the traditional arabic cuisine bilingual arabic and english recipe book delicious and healthy plant based and low fat dishes by online on amazon ae at best prices fast and free shipping free returns cash on delivery available on eligible purchase

recipes for peace vegan cookbook based on the tra pdf - Aug 08 2022

recipes for peace vegan cookbook based on the tra the plantpower way italia the yoga plate the bean cookbook vegan athlete cookbook peace love and fibre recipes for peace vegan cookbook based on the tra 3 3 and fish making this mediterranean diet book both healthy and delicious want to adopt a healthy mediterranean diet but don t

[the 11 best vegan cookbooks of 2023 the spruce eats](#) - Jul 07 2022

mar 9 2023 by insisting the only real vip of any party is food these plant based pros make feeding a hungry group manageable with recipes like pumpkin french toast casserole breakfast tempeh and mexican lasagna price at time of publish 27 recipes 100 pages 256 date published 2021

[vegan peace](#) - Apr 04 2022

the vegan lifestyle is a compassionate way to live that supports life supports fairness and equality and promotes freedom robert cheeke becoming vegan is the most important and direct change we can immediately make to save the planet and its species

[recipes for peace vegan cookbook based on the tra full](#) - Sep 09 2022

recipes for peace vegan cookbook based on the traditional arabic cuisine bilingual arabic and english recipe book delicious and healthy plant based and low fat dishes peace in every bite the earthy canvas vegan cookbook

[kifah dasuki author of recipes for peace vegan cookbook based](#) - Jul 19 2023

kifah dasuki author of recipes for peace vegan cookbook based on the traditional middle eastern cuisine bilingual english and

arabic recipe book delicious and healthy plant based cookbook and low fat dishes

[recipes for peace vegan cookbook based on the](#) - Sep 21 2023

aug 22 2017 recipes for peace vegan cookbook based on the traditional middle eastern cuisine bilingual english and arabic recipe book delicious and healthy plant based cookbook and low fat dishes kindle edition by kifah dasuki author format kindle edition 4 7 73 ratings see all formats and editions kindle

recipes for peace vegan cookbook based on the tra copy - Feb 14 2023

the vegan meat cookbook dec 06 2022 100 hearty succulent people pleasing meals featuring vegan meat from comfort food classics and speedy weeknight dinners to global flavors and showstoppers plus recipes for diy vegan meats and [recipes for peace vegan cookbook based on the tra](#) - Dec 12 2022

know people have search hundreds times for their chosen readings like this recipes for peace vegan cookbook based on the tra but end up in harmful downloads rather than enjoying a good book with a cup of coffee in the afternoon instead they cope with some infectious bugs inside their desktop computer recipes for peace vegan cookbook based

recipes for peace vegan cookbook based on the tra copy - Nov 11 2022

recipes for peace vegan cookbook based on the traditional arabic cuisine bilingual arabic and english recipe book delicious and healthy plant based and low fat dishes cooking for the senses the one peaceful world cookbook

recipes for peace vegan cookbook based on the - Jan 13 2023

title recipes for peace vegan cookbook based on the traditional arabic cuisine bilingual arabic and english recipe book delicious and healthy plant based and low fat dishes recipes for peace vegan cookbook based on the traditional arabic cuisine bi 9781975891626 ebay

[recipes for peace vegan cookbook based on the tra 2022](#) - Feb 02 2022

master international chef queen vida m amuah this cookbook is strictly vegan all of the recipes in this international vegan cuisine cookbook are prepared with positive energy spirit no meat by products or dairy products are included in any of the recipes in my cookbook food tastings catering celebrity chef services

[recipes for peace vegan cookbook based on the](#) - Jun 18 2023

recipes for peace vegan cookbook based on the traditional middle eastern cuisine bilingual english and arabic recipe book delicious and healthy plant based cookbook and low fat dishes ebook dasuki kifah amazon co uk kindle store

recipesforpeacevegancookbookbasedonthetra pdf - May 05 2022

recipes for peace vegan cookbook based on the traditional arabic cuisine bilingual arabic and english recipe book delicious and healthy plant based and low fat dishes provecho history of non dairy whip topping coffee creamer cottage cheese and icing frosting with and without soy 1900 2013

