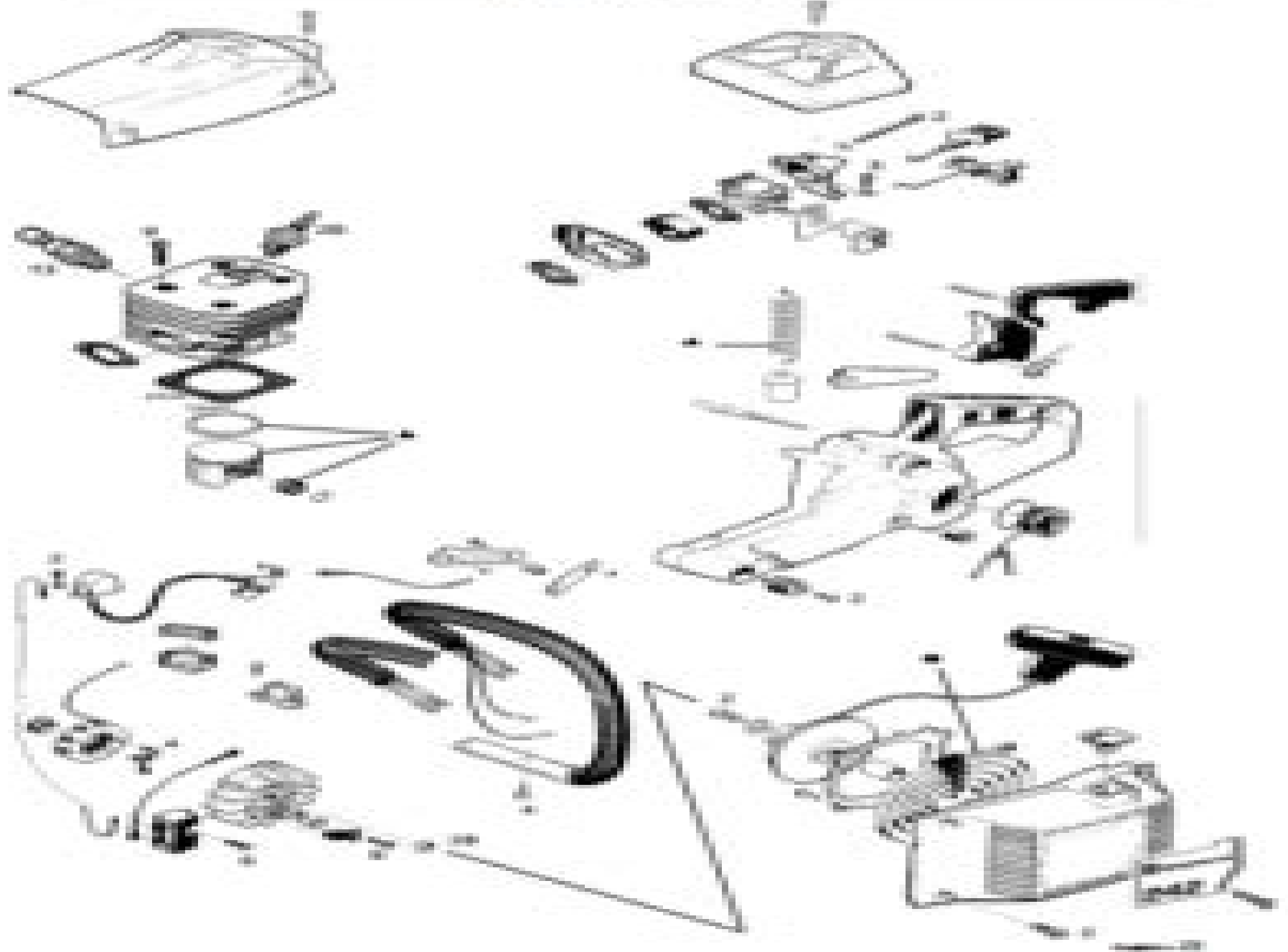


# SERVICE DATA



# Husqvarna Chainsaw Repair Manual 36a

**Michael Hoelscher**



## **Husqvarna Chainsaw Repair Manual 36a:**

If you ally dependence such a referred **Husqvarna Chainsaw Repair Manual 36a** book that will allow you worth, acquire the extremely best seller from us currently from several preferred authors. If you want to humorous books, lots of novels, tale, jokes, and more fictions collections are with launched, from best seller to one of the most current released.

You may not be perplexed to enjoy all book collections Husqvarna Chainsaw Repair Manual 36a that we will enormously offer. It is not going on for the costs. Its nearly what you dependence currently. This Husqvarna Chainsaw Repair Manual 36a, as one of the most working sellers here will utterly be among the best options to review.

<https://staging.conocer.cide.edu/public/browse/default.aspx/Lion%20King%20Mask.pdf>

## **Table of Contents Husqvarna Chainsaw Repair Manual 36a**

1. Understanding the eBook Husqvarna Chainsaw Repair Manual 36a
  - The Rise of Digital Reading Husqvarna Chainsaw Repair Manual 36a
  - Advantages of eBooks Over Traditional Books
2. Identifying Husqvarna Chainsaw Repair Manual 36a
  - Exploring Different Genres
  - Considering Fiction vs. Non-Fiction
  - Determining Your Reading Goals
3. Choosing the Right eBook Platform
  - Popular eBook Platforms
  - Features to Look for in an Husqvarna Chainsaw Repair Manual 36a
  - User-Friendly Interface
4. Exploring eBook Recommendations from Husqvarna Chainsaw Repair Manual 36a
  - Personalized Recommendations
  - Husqvarna Chainsaw Repair Manual 36a User Reviews and Ratings
  - Husqvarna Chainsaw Repair Manual 36a and Bestseller Lists
5. Accessing Husqvarna Chainsaw Repair Manual 36a Free and Paid eBooks

- Husqvarna Chainsaw Repair Manual 36a Public Domain eBooks
  - Husqvarna Chainsaw Repair Manual 36a eBook Subscription Services
  - Husqvarna Chainsaw Repair Manual 36a Budget-Friendly Options
6. Navigating Husqvarna Chainsaw Repair Manual 36a eBook Formats
    - ePub, PDF, MOBI, and More
    - Husqvarna Chainsaw Repair Manual 36a Compatibility with Devices
    - Husqvarna Chainsaw Repair Manual 36a Enhanced eBook Features
  7. Enhancing Your Reading Experience
    - Adjustable Fonts and Text Sizes of Husqvarna Chainsaw Repair Manual 36a
    - Highlighting and Note-Taking Husqvarna Chainsaw Repair Manual 36a
    - Interactive Elements Husqvarna Chainsaw Repair Manual 36a
  8. Staying Engaged with Husqvarna Chainsaw Repair Manual 36a
    - Joining Online Reading Communities
    - Participating in Virtual Book Clubs
    - Following Authors and Publishers Husqvarna Chainsaw Repair Manual 36a
  9. Balancing eBooks and Physical Books Husqvarna Chainsaw Repair Manual 36a
    - Benefits of a Digital Library
    - Creating a Diverse Reading Collection Husqvarna Chainsaw Repair Manual 36a
  10. Overcoming Reading Challenges
    - Dealing with Digital Eye Strain
    - Minimizing Distractions
    - Managing Screen Time
  11. Cultivating a Reading Routine Husqvarna Chainsaw Repair Manual 36a
    - Setting Reading Goals Husqvarna Chainsaw Repair Manual 36a
    - Carving Out Dedicated Reading Time
  12. Sourcing Reliable Information of Husqvarna Chainsaw Repair Manual 36a
    - Fact-Checking eBook Content of Husqvarna Chainsaw Repair Manual 36a
    - Distinguishing Credible Sources
  13. Promoting Lifelong Learning
    - Utilizing eBooks for Skill Development

- Exploring Educational eBooks
14. Embracing eBook Trends
- Integration of Multimedia Elements
  - Interactive and Gamified eBooks

### **Husqvarna Chainsaw Repair Manual 36a Introduction**

In the digital age, access to information has become easier than ever before. The ability to download Husqvarna Chainsaw Repair Manual 36a has revolutionized the way we consume written content. Whether you are a student looking for course material, an avid reader searching for your next favorite book, or a professional seeking research papers, the option to download Husqvarna Chainsaw Repair Manual 36a has opened up a world of possibilities. Downloading Husqvarna Chainsaw Repair Manual 36a provides numerous advantages over physical copies of books and documents. Firstly, it is incredibly convenient. Gone are the days of carrying around heavy textbooks or bulky folders filled with papers. With the click of a button, you can gain immediate access to valuable resources on any device. This convenience allows for efficient studying, researching, and reading on the go. Moreover, the cost-effective nature of downloading Husqvarna Chainsaw Repair Manual 36a has democratized knowledge. Traditional books and academic journals can be expensive, making it difficult for individuals with limited financial resources to access information. By offering free PDF downloads, publishers and authors are enabling a wider audience to benefit from their work. This inclusivity promotes equal opportunities for learning and personal growth. There are numerous websites and platforms where individuals can download Husqvarna Chainsaw Repair Manual 36a. These websites range from academic databases offering research papers and journals to online libraries with an expansive collection of books from various genres. Many authors and publishers also upload their work to specific websites, granting readers access to their content without any charge. These platforms not only provide access to existing literature but also serve as an excellent platform for undiscovered authors to share their work with the world. However, it is essential to be cautious while downloading Husqvarna Chainsaw Repair Manual 36a. Some websites may offer pirated or illegally obtained copies of copyrighted material. Engaging in such activities not only violates copyright laws but also undermines the efforts of authors, publishers, and researchers. To ensure ethical downloading, it is advisable to utilize reputable websites that prioritize the legal distribution of content. When downloading Husqvarna Chainsaw Repair Manual 36a, users should also consider the potential security risks associated with online platforms. Malicious actors may exploit vulnerabilities in unprotected websites to distribute malware or steal personal information. To protect themselves, individuals should ensure their devices have reliable antivirus software installed and validate the legitimacy of the websites they are downloading from. In conclusion, the ability to download Husqvarna Chainsaw Repair Manual 36a has transformed the way we access

information. With the convenience, cost-effectiveness, and accessibility it offers, free PDF downloads have become a popular choice for students, researchers, and book lovers worldwide. However, it is crucial to engage in ethical downloading practices and prioritize personal security when utilizing online platforms. By doing so, individuals can make the most of the vast array of free PDF resources available and embark on a journey of continuous learning and intellectual growth.

### **FAQs About Husqvarna Chainsaw Repair Manual 36a Books**

How do I know which eBook platform is the best for me? Finding the best eBook platform depends on your reading preferences and device compatibility. Research different platforms, read user reviews, and explore their features before making a choice. Are free eBooks of good quality? Yes, many reputable platforms offer high-quality free eBooks, including classics and public domain works. However, make sure to verify the source to ensure the eBook credibility. Can I read eBooks without an eReader? Absolutely! Most eBook platforms offer webbased readers or mobile apps that allow you to read eBooks on your computer, tablet, or smartphone. How do I avoid digital eye strain while reading eBooks? To prevent digital eye strain, take regular breaks, adjust the font size and background color, and ensure proper lighting while reading eBooks. What the advantage of interactive eBooks? Interactive eBooks incorporate multimedia elements, quizzes, and activities, enhancing the reader engagement and providing a more immersive learning experience. Husqvarna Chainsaw Repair Manual 36a is one of the best book in our library for free trial. We provide copy of Husqvarna Chainsaw Repair Manual 36a in digital format, so the resources that you find are reliable. There are also many Ebooks of related with Husqvarna Chainsaw Repair Manual 36a. Where to download Husqvarna Chainsaw Repair Manual 36a online for free? Are you looking for Husqvarna Chainsaw Repair Manual 36a PDF? This is definitely going to save you time and cash in something you should think about. If you trying to find then search around for online. Without a doubt there are numerous these available and many of them have the freedom. However without doubt you receive whatever you purchase. An alternate way to get ideas is always to check another Husqvarna Chainsaw Repair Manual 36a. This method for see exactly what may be included and adopt these ideas to your book. This site will almost certainly help you save time and effort, money and stress. If you are looking for free books then you really should consider finding to assist you try this. Several of Husqvarna Chainsaw Repair Manual 36a are for sale to free while some are payable. If you arent sure if the books you would like to download works with for usage along with your computer, it is possible to download free trials. The free guides make it easy for someone to free access online library for download books to your device. You can get free download on free trial for lots of books categories. Our library is the biggest of these that have literally hundreds of thousands of different products categories represented. You will also see that there are specific sites catered to different product types or categories, brands or niches related with Husqvarna Chainsaw

Repair Manual 36a. So depending on what exactly you are searching, you will be able to choose e books to suit your own need. Need to access completely for Campbell Biology Seventh Edition book? Access Ebook without any digging. And by having access to our ebook online or by storing it on your computer, you have convenient answers with Husqvarna Chainsaw Repair Manual 36a To get started finding Husqvarna Chainsaw Repair Manual 36a, you are right to find our website which has a comprehensive collection of books online. Our library is the biggest of these that have literally hundreds of thousands of different products represented. You will also see that there are specific sites catered to different categories or niches related with Husqvarna Chainsaw Repair Manual 36a So depending on what exactly you are searching, you will be able to choose ebook to suit your own need. Thank you for reading Husqvarna Chainsaw Repair Manual 36a. Maybe you have knowledge that, people have search numerous times for their favorite readings like this Husqvarna Chainsaw Repair Manual 36a, but end up in harmful downloads. Rather than reading a good book with a cup of coffee in the afternoon, instead they juggled with some harmful bugs inside their laptop. Husqvarna Chainsaw Repair Manual 36a is available in our book collection an online access to it is set as public so you can download it instantly. Our digital library spans in multiple locations, allowing you to get the most less latency time to download any of our books like this one. Merely said, Husqvarna Chainsaw Repair Manual 36a is universally compatible with any devices to read.

**Find Husqvarna Chainsaw Repair Manual 36a :**

[lion king mask](#)

[lionheart gal](#)

[listening to history](#)

**literacy place hand writing practice teachers edition grade 2**

[lion and the unicorn](#)

**literary history of england the restoration and eighteenth century 16601789**

[literacy place grade 2 unit 2~super solvers](#)

[lion lion](#)

*listening to gynaecological patients problems*

[islamic explique aux enfants by ben jellou](#)

*listen kids 1 with audio cd paperback*

*lingerie the foundation of a womans life*

**linear systems and exponential dichotomy structure of sets of hyperbolic points**

[literary essays ezra pound](#)



literary and visual art from the pacific northwest

**Husqvarna Chainsaw Repair Manual 36a :**

grundgesetz hardcover mit einem vorwort von norbert lammert - Jan 08 2023

web auflage 2019 gebunden 173 seiten 198mm x 129mm x 17mm sprache n ger i x2022 70 jahre grundgesetz am 23 mai 2019 amp x2022 eine hochwertige ausgabe nicht angemeldet

*reading download e bookshelf de* - Sep 04 2022

web grundgesetz für die bundesrepublik deutschland mit einem vorwort von norbert lammert dtv verlagsgesellschaft mbh co kg münchen Über norbert lammert war zwölf jahre präsident des deutschen bundestages dem er von 1980 bis 2017 angehörte

**grundgesetz vorwort norbert lammert abebooks** - Aug 03 2022

web grundgesetz mit einem vorwort von norbert lammert and a great selection of related books art and collectibles available now at abebooks com

*grundgesetz lammert norbert buch lüthy group* - Jul 02 2022

web grundgesetz mit einem vorwort von norbert lammert lammert norbert hrsg isbn 9783423281744

**grundgesetz von buch 978 3 423 28174 4** - Jun 01 2022

web mit einem vorwort von norbert lammert buch gebundene ausgabe 12 00 inkl gesetzl mwst versandkostenfrei gebundenes buch gebundenes buch 12 00 grundgesetz overlay schliessen

**grundgesetz mit einem vorwort von norbert lammert** - Sep 16 2023

web apr 8 2019 norbert lammert hat die politik in deutschland über fast vier jahrzehnte aktiv begleitet und in wichtigen Ämtern mitgestaltet zwölf jahre war er präsident des deutschen bundestages dem er von 1980 bis 2017 angehörte

grundgesetz mit einem vorwort von norbert lammert - Oct 17 2023

web grundgesetz mit einem vorwort von norbert lammert lammert norbert isbn 9783423281744 kostenloser versand für alle bücher mit versand und verkauf duch amazon

grundgesetz von buch 978 3 423 28174 4 thalia - Apr 11 2023

web unser siebzig jahre altes siebzig jahre junges grundgesetz stiftet genau das was wir alle in deutschland brauchen ein gefühl der zusammengehörigkeit und des willens zu einer gemeinsamen zukunft norbert lammert schön gestaltetes hardcover mit rotem vorsatz und lesebändchen

**grundgesetz mit einem vorwort von norbert lammert lovelybooks** - Dec 07 2022

web apr 18 2019 die basis unseres staatesin zeiten des erstarkenden populismus ist es wichtig sich das grundgesetz als

grundlage unseres zusammenlebens zu grundgesetz mit einem vorwort von norbert lammert von norbert lammert bei lovelybooks sachbuch

**grundgesetz mit einem vorwort von norbert lammert german** - Jul 14 2023

web apr 18 2019 grundgesetz mit einem vorwort von norbert lammert german edition kindle edition by lammert norbert download it once and read it on your kindle device pc phones or tablets use features like bookmarks note taking and highlighting while reading grundgesetz mit einem vorwort von norbert lammert german edition

grundgesetz mit einem vorwort von norbert lammert ebook lammert - May 12 2023

web apr 8 2019 grundgesetz mit einem vorwort von norbert lammert ebook lammert norbert amazon de kindle store *grundgesetz norbert lammert dtv* - Mar 30 2022

web mit einem vorwort von norbert lammert die basis unseres staates in zeiten des erstarkenden populismus ist es wichtig sich das grundgesetz als grundlage unseres zusammenlebens zu grundgesetz norbert lammert dtv

**grundgesetz mit einem vorwort von norbert lammert amazon nl** - Oct 05 2022

web grundgesetz mit einem vorwort von norbert lammert lammert norbert amazon nl books

grundgesetz by norbert lammert overdrive ebooks - Mar 10 2023

web apr 18 2019 unser siebzig jahre altes siebzig jahre junges grundgesetz stiftet genau das was wir alle in deutschland brauchen ein gefühl der zusammengehörigkeit und des willens zu einer gemeinsamen zukunft norbert lammert schön gestaltetes hardcover mit rotem vorsatz und lesebändchen

grundgesetz vorwort norbert lammert abebooks - Nov 06 2022

web grundgesetz mit einem vorwort von norbert lammert and a great selection of related books art and collectibles available now at abebooks co uk

*norbert lammert über die präambel wdr 3 grundgesetz* - Apr 30 2022

web für den ehemaligen präsidenten des deutschen bundestages norbert lammert cdu ist das grundgesetz ein tief religiös geprägter text warum erklärt er bei wdr 3 in seinem essay zur

**grundgesetz mit einem vorwort von norbert lammert goodreads** - Jun 13 2023

web unser siebzig jahre altes siebzig jahre junges grundgesetz stiftet genau das was wir alle in deutschland ein gefühl der zusammengehörigkeit und des willens zu einer gemeinsamen zukunft norbert lammert schön gestaltetes hardcover mit rotem vorsatz und lesebändchen

**grundgesetz mit einem vorwort von norbert lammert ebook lammert** - Aug 15 2023

web grundgesetz mit einem vorwort von norbert lammert ebook lammert norbert amazon de kindle shop

**grundgesetz mit einem vorwort von norbert lammert german** - Feb 09 2023

web grundgesetz mit einem vorwort von norbert lammert german edition ebook lammert norbert amazon com au kindle store  
**grundgesetz fachbuch bücher de** - Feb 26 2022

web unser siebzig jahre altes siebzig jahre junges grundgesetz stiftet genau das was wir alle in deutschland brauchen ein  
gefühl der zusammengehörigkeit und des willens zu einer gemeinsamen zukunft norbert lammert schön gestaltetes  
hardcover mit rotem vorsatz und lesebändchen produktetails dtv bibliothek verlag dtv 2 aufl

**toyp1001340automotivetechnicaldatabook copy** - Aug 19 2023

web toyp1001340automotivetechnicaldatabook 1 toyp1001340automotivetechnical databook

toyp1001340automotivetechnicaldatabook downloaded from lisansustu altinbas edu tr

toyp1001340automotivetechnicaldatabook dev2 bryanu - Feb 18 2021

web diversity and technology career connection sidebars in every chapter link the text material to realities and developments  
in the new workplace these sidebars pose

**toyp1001340autom otivetechnicaldatabook** - Jul 26 2021

web toyp1001340automotivetechnicaldatabook 1 toyp1001340autom otivetechnicaldatabook

toyp1001340automotivetechnicaldatabook downloaded from uploader tsawq net

**toyp1001340automotivetechnicaldatabook 2022 epik org** - Jun 05 2022

web toyp1001340automotivetechnicaldatabook 1 toyp1001340automotivetechnicaldatabook

toyp1001340automotivetechnicaldatabook downloaded from epik org uk by guest

**toyp1001340automotivetechnicaldatabook copy dev2 bryanu** - Aug 07 2022

web toyp1001340automotivetechnicaldatabook 1 toyp1001340automotivetechnical databook

toyp1001340automotivetechnicaldatabook downloaded from dev2 bryanu edu

*toyp1001340automotivetechnicaldatabook pdf* - May 04 2022

web technology career connection sidebars in every chapter link the text material to realities and developments in the new  
workplace these sidebars pose questions to the reader

china tightens export controls on battery making graphite - May 16 2023

web 1 day ago by bloomberg news october 19 2023 at 11 52 pm edt china strengthened export controls on some categories  
of graphite a material often used in electric vehicle

toyp1001340 automotive technical data book the eye - Sep 20 2023

web starlet 1 3i type capacity cm3 number of cylinders compression ratio pressure bar 2e e sohc 12v 55kw 1296 4 9 5 13 0  
oil pressure bar 2 5 to 4 9 oil temperatureoc valve clearance inlet valve clearance exhaust mm mm 80 0 20 h firing order

**türkiye otomotiv endüstrisi raporu uib** - Dec 31 2021

web 3 İhracat mal grubu bazında İhracat Ürün grubu 2019 2020 20 19 2020 fob usd fob usd değ pay binek otomobiller 11 876 971 239 9 533 689 898 20 37 3

[toyp1001340 automotive technical data book pdf](#) - Apr 22 2021

web toyp1001340 automotive technical data book pdf below title toyp1001340 automotive technical data book pdf created date 9 1 2023 12 47 50 pm

**toyp1001340 automotive technical data book copy uniport edu** - Mar 22 2021

web toyp1001340 automotive technical data book 1 1 downloaded from uniport edu ng on april 9 2023 by guest toyp1001340 automotive technical data book when people

**gartner identifies the top 10 strategic technology trends for** - Mar 02 2022

web oct 16 2023 the top strategic technology trends for 2024 are democratized generative ai generative ai genai is becoming democratized by the confluence of massively

**google says data scraping lawsuit would take sledgehammer** - Apr 03 2022

web oct 17 2023 google has asked a california federal court to dismiss a proposed class action lawsuit that claims the company s scraping of data to train generative artificial

**toyp1001340automotivetechncaldatabook pdf** - Aug 27 2021

web toyp1001340automotivetechncaldatabook 1 toyp1001340automotivetechncaldatabook toyp1001340automotivetechncaldatabook downloaded from uploader tsawq net by

*tesla calls for tougher us fuel economy rules opposed by* - Jul 06 2022

web october 17 2023 at 4 19 pm pdt listen 2 02 tesla inc is calling for president joe biden s administration to sharply increase fuel economy standards and also to wind down a

[dÜnya ve tÜrkiye otomotiv sektÖrÜ 2013](#) - Nov 29 2021

web ÖnsÖz 4 otomotiv distribütörleri derneği odd otomotiv sektörüne yönelik politika ların tasarım süreçlerine katkı sunmak amacıyla türkiye ekonomi politikaları

**tesla earnings to reveal profit impact wrought by price cuts** - Nov 10 2022

web oct 18 2023 the electric vehicle maker s results later wednesday will test that strategy tesla s third quarter profit estimates have plunged by nearly 50 this year amid

[the turkish automotive industry is the pillar of the european](#) - Mar 14 2023

web dec 29 2021 the turkish automotive industry s exports to eu countries reached a total of 17 billion us dollars between january and november 2021 in the same period

**toyp1001340 automotive technical data book pdf pdf** - Oct 09 2022

web toyp1001340 automotive technical data book pdf pdf snapshot segmetrics io created date 9 2 2023 5 20 46 pm

**pdf toyp1001340 automotive technical data book pdf** - Sep 08 2022

web sep 13 2023 toyp1001340 automotive technical data book pdf when people should go to the ebook stores search launch by shop shelf by shelf it is essentially

*us air pollution progress is slowing researchers want to* - Oct 29 2021

web oct 13 2023 researchers are looking at cities air pollution is falling but the declines have started to lag to examine how pollution varies across communities a new project

**toyp1001340 automotive technical data book** - Jun 24 2021

web sep 3 2023 toyp1001340 automotive technical data book author iet donnu edu ua 2023 09 03 08 42 53 subject

toyp1001340 automotive technical data book

**toyp1001340 automotive technical data book copy** - Sep 27 2021

web toyp1001340 automotive technical data book is available in our book collection an online access to it is set as public so you can download it instantly our book servers

*toyp1001340 automotive technical data book uniport edu* - May 24 2021

web jul 14 2023 toyp1001340 automotive technical data book 1 1 downloaded from uniport edu ng on july 14 2023 by guest

toyp1001340 automotive technical data

*toyp1001340automotivetechncaldatabook spectrum ivantisinc* - Jul 18 2023

web toyp1001340automotivetechncaldatabook 1 toyp1001340automotivetechncaldatabook

toyp1001340automotivetechncaldatabook downloaded from spectrum ivantisinc com

automotive invest in türkiye turkey - Feb 01 2022

web number of suppliers r d and design centers in türkiye accredited by the ministry of industry and technology the foundation of türkiye s automotive industry dates back

*toyp1001340 automotive technical data book pdf* - Jun 17 2023

web right here we have countless books toyp1001340 automotive technical data book and collections to check out we additionally find the money for variant types and also type of

**toyp1001340automotivetechncaldatabook pdf** - Apr 15 2023

web toyp1001340automotivetechncaldatabook 1 toyp1001340automotivetechncaldatabook

toyp1001340automotivetechncaldatabook downloaded from uploader tsawq net

**chinese ai developer punishes staff who took long lunch** - Feb 13 2023

web october 17 2023 at 5 27 am pdt a top chinese ai developer punished scores of staff who took a longer lunch break than

allowed reviving memories of the relentless work culture

*home united nations development programme* - Dec 11 2022

web this report provides an overview of the automotive industry in the tr42 region of turkey which covers the provinces of afyonkarahisar kütahya manisa and uşak it also

**apple aapl iphone maker foxconn to use ai to expand its** - Jan 12 2023

web oct 18 2023 2 25 hon hai precision industry co best known as the maker of apple inc s iphone is expanding its push into electric vehicles by integrating artificial intelligence

el empollón el cabeza cuadrada el gafotas y el pelmazo - Jun 12 2023

web el libro infantil el empollon el cabeza cuadrada el gafotas y el pelmazo en casa del libro descubre las mejores ofertas y envíos gratis

*el empollon el cabeza cuadrada el gafotas y el pe download* - Apr 29 2022

web el empollon el cabeza cuadrada el gafotas y el pe downloaded from design bluesquare org by guest hull bianca defending jacob candaya en este

*el empollon el cabeza cuadrada el gafotas y el pe copy* - Dec 26 2021

el empollon el cabeza cuadrada el gafotas y el pelmazo - Aug 02 2022

web el empollon el cabeza cuadrada el gafotas y el pe a marvelous literary value full of natural emotions lies an immersive symphony waiting to be embraced crafted by an

**el empollón el cabeza cuadrada el gafotas y el pelmazo** - Mar 09 2023

web un libro lleno de humor que pone en evidencia las etiquetas de las personas y realza el valor de la confianza y la seguridad en uno mismo el empollón el cabeza cuadrada el

**el empollón el cabeza cuadrada el gafotas y el pelmazo** - Mar 29 2022

web el empollon el cabeza cuadrada el gafotas y el pe recognizing the way ways to acquire this ebook el empollon el cabeza cuadrada el gafotas y el pe is additionally

el empollón el cabeza cuadrada el gafotas y el - Jan 07 2023

web mar 1 2011 lee gratis el empollón el cabeza cuadrada el gafotas y el pelmazo de roberto santiago disponible como e book prueba gratuita durante días 30 días gratis

**el empollon el cabeza cuadrada el gafotas y el** - May 11 2023

web mar 1 2011 información de este libro electrónico matías es un niño que siempre aparece en las votaciones de fin de curso como el más pelmazo ese año las cosas cambian

**el empollón el cabeza cuadrada el gafotas y el pelmazo iván** - Aug 14 2023

web mar 7 2013 resumen el empollón el cabeza cuadrada el gafotas y el pelmazo trata de cuatro niños que salen en unas listas que hacen los propios alumnos del colegio

*el empollón el cabezacuadrada el gafotas y el pelmazo fnac* - Oct 04 2022

web apr 18 2017 el empollon el cabeza cuadrada el gafotas y el pelmazo roberto santiago comprar 8 74 5 de descuento sinopsis puede alguien decidir de

el empollón el cabeza cuadrada el gafotas y el pelmazo scribd - Apr 10 2023

web ver detalles elige tu dirección de 2ª mano bueno detalles vendido por b s recommerce añadir a la cesta tienes uno para vender vender en amazon ver esta imagen sigue

el empollon el cabeza cuadrada el gafotas y el pe d - Jan 27 2022

web el empollon el cabeza cuadrada el gafotas y el pe cabeza yacente book of souls entrelineado a cabeza de vaca el cabeza the glassblower s children george and the

**el empollón el cabeza cuadrada el gafotas y el pelmazo 120 el** - Dec 06 2022

web el empollón el cabezacuadrada el gafotas y el pelmazo libro de editorial sm libros con 5 de descuento y envío gratis desde 19

**el empollón el cabeza cuadrada el gafotas y el pelmazo** - Jul 01 2022

web el empollon el cabeza cuadrada el gafotas y el pe actual narrativa fantástica infantil y juvenil en castellano el empollón el cabezacuadrada el gafotas y el pelmazo

el empollon el cabeza cuadrada el gafotas y el pe copy - May 31 2022

web may 29 2017 matías es un niño que siempre aparece en las votaciones de fin de curso como el más pelmazo matías ese año decide hacer algo muy gordo para que sus

**el empollón el cabeza cuadrada el gafotas y el pelmazo** - Jul 13 2023

web el empollón el cabeza cuadrada el gafotas y el pelmazo book read reviews from world s largest community for readers matías es un niño que siempre apa

*el empollón el cabeza cuadrada el gafotas y el pelmazo* - Nov 05 2022

web gregor 4 suzanne collins calificación general 9 5 por leer ferals 2 enjambre jacob grey calificación general 9 1 por leer la media de los flamencos

**el empollón el cabeza cuadrada el gafotas y el pelmazo tapa** - Feb 08 2023

web feb 6 2023 el empollón el cabeza cuadrada el gafotas y el pelmazo 120 el barco de vapor naranja santiago roberto and garcía chema

el empollon el cabeza cuadrada el gafotas y el pe pdf - Feb 25 2022

web el empollón el cabeza cuadrada el gafotas y el pelmazo roberto santiago 2011 03 01 matías es un niño que siempre aparece en las votaciones de fin de curso como el más

*el empollon el cabeza cuadrada el gafotas y el pe copy* - Nov 24 2021

**el empollon el cabeza cuadrada el gafotas y el** - Sep 03 2022

web el empollón el cabezacuadrada el gafotas y el pelmazo ficha realizada por ross goose título el empollón el cabezacuadrada el gafotas y el pelmazo título original el