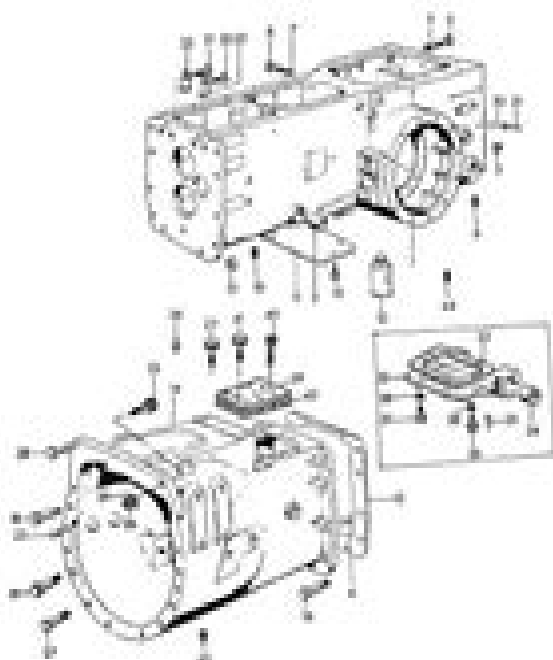


ACCESSORIES AND APPLICATION MISCELLANEOUS

CENTRE AXLE HOUSING AND TRANSMISSION HOUSING

30 7830



1	3004048M4	●	N.L.A. (1)	1	TRANSM.HOU
2	1423482M1		1	2	BUSH
3	3006020K1			1	PLUG
4	1440088K1			1	DOWEL
5	974742M1	●	3015155K1 (5)	6	STUD
6	1440020K1			6	NUT BSF
7	979709M1			2	STUD
8	1440087K1	●	1440098K1 (2)	2	NUT BSF
9	392735K1			1	PLUG
10	392735K1			1	PLUG
11	1423050M1	∑		1	COVER
12	3003026M1		250CC.	999	LOCTITE
13	309401K1	∑	14	6	SCREW
14	3004102M1	≡	100L00189-229L0045	1	HOUSING
14	3005039M1	●	1440718K1 (1)	1	HOUSING
			3001923K1 (1)		
			3003996K1 (1)		
			309643K1 (7)		
			3532482M2 (1)		
			392735K1 (2)		
			391528K1 (15)		
			391934K1 (1)		
			C		
			C		
14	3004034M1	●	1440718K1 (2)	1	TRANSM.HOU
			3001923K1 (15)		
			3003996K1 (1)		
			309643K1 (1)		
			3532482M2 (1)		
			392735K1 (1)		
			391928K1 (7)		
			391934K1 (1)		
			C		

Landini 7830 Manual

EW Minium



Landini 7830 Manual:

Delve into the emotional tapestry woven by in **Landini 7830 Manual** . This ebook, available for download in a PDF format (*), is more than just words on a page; it is a journey of connection and profound emotion. Immerse yourself in narratives that tug at your heartstrings. Download now to experience the pulse of each page and let your emotions run wild.

<https://staging.conocer.cide.edu/results/virtual-library/HomePages/give%20food%20a%20chance.pdf>

Table of Contents Landini 7830 Manual

1. Understanding the eBook Landini 7830 Manual
 - The Rise of Digital Reading Landini 7830 Manual
 - Advantages of eBooks Over Traditional Books
2. Identifying Landini 7830 Manual
 - Exploring Different Genres
 - Considering Fiction vs. Non-Fiction
 - Determining Your Reading Goals
3. Choosing the Right eBook Platform
 - Popular eBook Platforms
 - Features to Look for in an Landini 7830 Manual
 - User-Friendly Interface
4. Exploring eBook Recommendations from Landini 7830 Manual
 - Personalized Recommendations
 - Landini 7830 Manual User Reviews and Ratings
 - Landini 7830 Manual and Bestseller Lists
5. Accessing Landini 7830 Manual Free and Paid eBooks
 - Landini 7830 Manual Public Domain eBooks
 - Landini 7830 Manual eBook Subscription Services
 - Landini 7830 Manual Budget-Friendly Options
6. Navigating Landini 7830 Manual eBook Formats

- ePub, PDF, MOBI, and More
 - Landini 7830 Manual Compatibility with Devices
 - Landini 7830 Manual Enhanced eBook Features
7. Enhancing Your Reading Experience
 - Adjustable Fonts and Text Sizes of Landini 7830 Manual
 - Highlighting and Note-Taking Landini 7830 Manual
 - Interactive Elements Landini 7830 Manual
 8. Staying Engaged with Landini 7830 Manual
 - Joining Online Reading Communities
 - Participating in Virtual Book Clubs
 - Following Authors and Publishers Landini 7830 Manual
 9. Balancing eBooks and Physical Books Landini 7830 Manual
 - Benefits of a Digital Library
 - Creating a Diverse Reading Collection Landini 7830 Manual
 10. Overcoming Reading Challenges
 - Dealing with Digital Eye Strain
 - Minimizing Distractions
 - Managing Screen Time
 11. Cultivating a Reading Routine Landini 7830 Manual
 - Setting Reading Goals Landini 7830 Manual
 - Carving Out Dedicated Reading Time
 12. Sourcing Reliable Information of Landini 7830 Manual
 - Fact-Checking eBook Content of Landini 7830 Manual
 - Distinguishing Credible Sources
 13. Promoting Lifelong Learning
 - Utilizing eBooks for Skill Development
 - Exploring Educational eBooks
 14. Embracing eBook Trends
 - Integration of Multimedia Elements
 - Interactive and Gamified eBooks

Landini 7830 Manual Introduction

In the digital age, access to information has become easier than ever before. The ability to download Landini 7830 Manual has revolutionized the way we consume written content. Whether you are a student looking for course material, an avid reader searching for your next favorite book, or a professional seeking research papers, the option to download Landini 7830 Manual has opened up a world of possibilities. Downloading Landini 7830 Manual provides numerous advantages over physical copies of books and documents. Firstly, it is incredibly convenient. Gone are the days of carrying around heavy textbooks or bulky folders filled with papers. With the click of a button, you can gain immediate access to valuable resources on any device. This convenience allows for efficient studying, researching, and reading on the go. Moreover, the cost-effective nature of downloading Landini 7830 Manual has democratized knowledge. Traditional books and academic journals can be expensive, making it difficult for individuals with limited financial resources to access information. By offering free PDF downloads, publishers and authors are enabling a wider audience to benefit from their work. This inclusivity promotes equal opportunities for learning and personal growth. There are numerous websites and platforms where individuals can download Landini 7830 Manual. These websites range from academic databases offering research papers and journals to online libraries with an expansive collection of books from various genres. Many authors and publishers also upload their work to specific websites, granting readers access to their content without any charge. These platforms not only provide access to existing literature but also serve as an excellent platform for undiscovered authors to share their work with the world. However, it is essential to be cautious while downloading Landini 7830 Manual. Some websites may offer pirated or illegally obtained copies of copyrighted material. Engaging in such activities not only violates copyright laws but also undermines the efforts of authors, publishers, and researchers. To ensure ethical downloading, it is advisable to utilize reputable websites that prioritize the legal distribution of content. When downloading Landini 7830 Manual, users should also consider the potential security risks associated with online platforms. Malicious actors may exploit vulnerabilities in unprotected websites to distribute malware or steal personal information. To protect themselves, individuals should ensure their devices have reliable antivirus software installed and validate the legitimacy of the websites they are downloading from. In conclusion, the ability to download Landini 7830 Manual has transformed the way we access information. With the convenience, cost-effectiveness, and accessibility it offers, free PDF downloads have become a popular choice for students, researchers, and book lovers worldwide. However, it is crucial to engage in ethical downloading practices and prioritize personal security when utilizing online platforms. By doing so, individuals can make the most of the vast array of free PDF resources available and embark on a journey of continuous learning and intellectual growth.

FAQs About Landini 7830 Manual Books

What is a Landini 7830 Manual PDF? A PDF (Portable Document Format) is a file format developed by Adobe that preserves the layout and formatting of a document, regardless of the software, hardware, or operating system used to view or print it. **How do I create a Landini 7830 Manual PDF?** There are several ways to create a PDF: Use software like Adobe Acrobat, Microsoft Word, or Google Docs, which often have built-in PDF creation tools. Print to PDF: Many applications and operating systems have a "Print to PDF" option that allows you to save a document as a PDF file instead of printing it on paper. Online converters: There are various online tools that can convert different file types to PDF. **How do I edit a Landini 7830 Manual PDF?** Editing a PDF can be done with software like Adobe Acrobat, which allows direct editing of text, images, and other elements within the PDF. Some free tools, like PDFescape or Smallpdf, also offer basic editing capabilities. **How do I convert a Landini 7830 Manual PDF to another file format?** There are multiple ways to convert a PDF to another format: Use online converters like Smallpdf, Zamzar, or Adobe Acrobat's export feature to convert PDFs to formats like Word, Excel, JPEG, etc. Software like Adobe Acrobat, Microsoft Word, or other PDF editors may have options to export or save PDFs in different formats. **How do I password-protect a Landini 7830 Manual PDF?** Most PDF editing software allows you to add password protection. In Adobe Acrobat, for instance, you can go to "File" -> "Properties" -> "Security" to set a password to restrict access or editing capabilities. Are there any free alternatives to Adobe Acrobat for working with PDFs? Yes, there are many free alternatives for working with PDFs, such as: LibreOffice: Offers PDF editing features. PDFsam: Allows splitting, merging, and editing PDFs. Foxit Reader: Provides basic PDF viewing and editing capabilities. How do I compress a PDF file? You can use online tools like Smallpdf, I Love PDF, or desktop software like Adobe Acrobat to compress PDF files without significant quality loss. Compression reduces the file size, making it easier to share and download. Can I fill out forms in a PDF file? Yes, most PDF viewers/editors like Adobe Acrobat, Preview (on Mac), or various online tools allow you to fill out forms in PDF files by selecting text fields and entering information. Are there any restrictions when working with PDFs? Some PDFs might have restrictions set by their creator, such as password protection, editing restrictions, or print restrictions. Breaking these restrictions might require specific software or tools, which may or may not be legal depending on the circumstances and local laws.

Find Landini 7830 Manual :

give food a chance

gizmos heat transfer answer key

~~gloria echee aux tueurs et autres histoires policières blacksuspens t~~

~~glencoe chemistry chapter answers~~

~~**gizmos photosynthesis lab answers**~~

~~**glock 31 owners manual**~~

~~**gizmo digestive system quiz key**~~

~~**gl1800 service manual 2007**~~

~~*glencoe 8th grade math workbook*~~

~~**glencoe keyboarding lessons 1 80**~~

~~girls guide to sleeping with women~~

~~glencoe mcgraw hill florida geometry work answers~~

~~girls und panzer little army vol 1 girls panzer little army~~

~~glencoe section structure of the atom worksheet answers~~

~~global business today charles hill fifth edition~~

Landini 7830 Manual :

h p lovecraft contre le monde contre la vie biographie 5386 - Mar 30 2022

web h p lovecraft contre le monde contre la vie biographie 5386 houellebecq michel amazon com tr kitap

h p lovecraft contre le monde contre la vie poche decitre - Mar 10 2023

web sep 8 2010 résumé howard phillips lovecraft constitue un exemple pour tous ceux qui souhaitent apprendre à rater leur vie et éventuellement à réussir leur oeuvre encore que sur ce dernier point le résultat ne soit pas garanti

h p lovecraft contre le monde contre la vie broché michel - Feb 09 2023

web h p lovecraft michel houellebecq auteur stephen king préface contre le monde contre la vie paru en septembre 2005

essai broché h p lovecraft 4 1 avis 9 sur les autres formats format broché voir tout broché 15 30 broché 494 05 poche 7 livre

audio 12 99 texte lu cd 18 90 résumé voir tout

h p lovecraft contre le monde contre la vie babelio - Jun 13 2023

web dec 1 1999 comme dans la vie lovecraft ne fait aucun effort pour s intéresser à ce qui lui semble inutile ainsi ses personnages sont dotés des seuls éléments nécessaires à leur vie membres souffle système cardiaque et respiratoire plus

h p lovecraft contre le monde contre la vie google books - Jan 28 2022

web h p lovecraft est l un des maîtres du fantastique il exerce une véritable fascination sur nos contemporains l homme fut un être étrange à la mesure de ses récits terrifiants né dans une ville portuaire il avait la phobie de la mer profondément apathique au point qu il était incapable de maintenir sa chaleur corporelle hostile

h p lovecraft against the world against life - Apr 30 2022

web release date 1991 h p lovecraft against the world against life originally published as h p lovecraft contre le monde contre la vie is study of h p lovecraft and his oeuvre by french author michel houellebecq first published by Éditions du rocher in 1991 it has since been reprinted many times by many different publishing houses

h p lovecraft contre le monde contre la vie - Feb 26 2022

web dec 1 1999 h p lovecraft contre le monde contre la vie houellebecq michel 9782290053867 books amazon ca

h p lovecraft contre le monde contre la vie amazon fr - May 12 2023

web h p lovecraft contre le monde contre la vie poche 8 septembre 2010 howard phillips lovecraft constitue un exemple pour tous ceux qui souhaitent apprendre à rater leur vie et éventuellement à réussir leur oeuvre encore que sur ce dernier point le résultat ne soit pas garanti

h p lovecraft contre le monde contre la vie wikipédia - Jul 14 2023

web contre le monde contre la vie est un essai de michel houellebecq publié par michel bulteau en 1991 aux Éditions du rocher cet ouvrage constitue une étude personnelle sur l'oeuvre de l'écrivain américain howard phillips lovecraft

h p lovecraft contre le monde contre la vie amazon com - Jul 02 2022

web sep 1 2005 né dans une ville portuaire lovecraft développa et entretint une véritable phobie de la mer profondément apathique et fondamentalement hostile à toutes les valeurs du monde moderne il souffrit toute sa vie durant de cauchemars récurrents

[h p lovecraft against the world against life wikipedia](#) - Aug 15 2023

web h p lovecraft against the world against life french h p lovecraft contre le monde contre la vie is a work of literary criticism by french author michel houellebecq regarding the works of h p lovecraft

h p lovecraft contre le monde contre la vie french edition - Dec 07 2022

web aug 27 2014 michel houellebecq h p lovecraft contre le monde contre la vie french edition kindle edition french edition by michel houellebecq author format kindle edition 143 ratings see all formats and editions kindle 5 99 read with our free app audiobook 0 00 free with your audible trial

h p lovecraft contre le monde contre la vie format kindle - Jun 01 2022

web howard phillips lovecraft constitue un exemple pour tous ceux qui souhaitent apprendre à rater leur vie et éventuellement à réussir leur oeuvre encore que sur ce dernier point le résultat ne soit pas garanti

[h p lovecraft contre le monde contre la vie google books](#) - Oct 05 2022

web contre le monde contre la vie howard phillips lovecraft constitue un exemple pour tous ceux qui souhaitent apprendre à rater leur vie et éventuellement à réussir leur oeuvre

h p lovecraft contre le monde contre la vie littérature - Jan 08 2023

web *h p lovecraft contre le monde contre la vie littérature* houellebecq michel king stephen amazon com tr kitap

h p lovecraft contre le monde contre la vie collection les - Nov 06 2022

web *h p lovecraft contre le monde contre la vie* collection les infrequentables michel houellebecq amazon com tr kitap

h p lovecraft contre le monde contre la vie broché michel - Sep 04 2022

web *contre le monde contre la vie h p lovecraft michel houellebecq* rocher eds du des milliers de livres avec la livraison chez vous en 1 jour ou en magasin avec 5 de réduction

h p lovecraft contre le monde contre la vie poche michel - Apr 11 2023

web auteur de l appel de cthulhu de dagon et des montagnes hallucinées *h p lovecraft maître incontesté de l horreur et du fantastique* reste l objet d une fascination toute particulière chez nos contemporains notamment chez michel houellebecq qui le découvrit à l âge de seize ans pour ne plus cesser de le lire

h p lovecraft contre le monde contre la vie goodreads - Aug 03 2022

web jan 1 1991 lo que nos cuenta el libro *h p lovecraft contra el mundo contra la vida* publicación original *h p lovecraft* *contre le monde contre la vie* 1991 es un acercamiento a lovecraft a su producción su estilo su vida y a los posibles elementos nucleares que definieron tanto al escritor como su trabajo

h p lovecraft contre le monde contre la vie cultura - Dec 27 2021

web *contre le monde contre la vie* par michel houellebecq aux éditions flammariion howard phillips lovecraft constitue un exemple pour tous ceux qui souhaitent apprendre à rater leur vie et éventuellement à réussir leur oeuvre

heavenly mathematics the forgotten art of spherical trigonometry - Aug 15 2023

web apr 4 2017 illustrated edition heavenly mathematics traces the rich history of spherical trigonometry revealing how the cultures of classical greece medieval islam and the modern west used this forgotten art to chart the heavens and the earth
review of heavenly mathematics the forgotten art of - Feb 26 2022

web apr 13 2015 pdf on apr 13 2015 michael de villiers published *review of heavenly mathematics the forgotten art of spherical trigonometry* find read and cite all the research you need on researchgate

heavenly mathematics the forgotten art of spherical trigonometry - Dec 07 2022

web *the forgotten art of spherical trigonometry* glen van brummelen isbn 9780691175997 princeton university press

heavenly mathematics the forgotten art of spherical trigonometry - Mar 30 2022

web an unparalleled illustrated history of spherical trigonometry from antiquity to today heavenly mathematics traces the rich history of spherical trigonometry revealing how the cultures of classical greece medieval islam and the modern west used this forgotten art to chart the heavens and the earth once at the heart of astronomy and ocean

heavenly mathematics princeton university press - Jun 13 2023

web dec 23 2012 heavenly mathematics traces the rich history of spherical trigonometry revealing how the cultures of classical greece medieval islam and the modern west used this forgotten art to chart the heavens and the earth

heavenly mathematics the forgotten art of spherical trigonometry - Nov 06 2022

web heavenly mathematics the forgotten art of spherical trigonometry by glen van brummelen pp 192 24 95 isbn 978 0 691 14892 2 princeton university press 2013 volume 98 issue 543 p n ruane a1

heavenly mathematics the forgotten art of spherical - Jul 02 2022

web heavenly mathematics the forgotten art of spherical trigonometry inproceedings landzuri2013heavenlymt title heavenly mathematics the forgotten art of spherical trigonometry author carlos ort i z de land a zuri year 2013 url api semantic scholar org corpusid 117800333 carlos ortíz de landázuri

heavenly mathematics the forgotten art of spherical - Jan 08 2023

web apr 4 2017 glen van brummelen quest university canada download citation abstract this book traces the rich history of spherical trigonometry revealing how the cultures of classical greece medieval islam

heavenly mathematics the forgotten art of spherical trigonometry - Apr 11 2023

web apr 13 2015 185 views 1 crossref citations to date 0 altmetric book reviews heavenly mathematics the forgotten art of spherical trigonometry michael de villiers pages 560 561 published online 13 apr 2015 download citation doi org 10 1080 10848770 2015 1028011 full article figures data citations

heavenly mathematics the forgotten art of spheric - Dec 27 2021

web we give heavenly mathematics the forgotten art of spheric and numerous ebook collections from fictions to scientific research in any way among them is this heavenly mathematics the forgotten art of spheric that can be your partner

heavenly mathematics the forgotten art of spherical - Aug 03 2022

web spherical trigonometry was once an important part of mathematics but in modern times heavenly mathematics the forgotten art of spherical trigonometry heavenly mathematics the forgotten art of spherical trigonometry on researchgate the professional network for scientists

textbooks heavenly mathematics the forgotten art of - Apr 30 2022

web van brummelen glen textbooks heavenly mathematics the forgotten art of spherical trigonometry princeton nj 2017 online edn princeton scholarship online 24 may 2018 doi org 10 23943 princeton 9780691175997 005 0002 accessed

pdf heavenly mathematics by glen van brummelen perlego - Jan 28 2022

web an unparalleled illustrated history of spherical trigonometry from antiquity to today heavenly mathematics traces the rich history of spherical trigonometry revealing how the cultures of classical greece medieval islam and the modern west

used this forgotten art to chart the heavens and the earth

heavenly mathematics the forgotten art of spherical trigonometry - Sep 04 2022

web jan 1 2013 price 24 95 hardback isbn 978 0 691 14892 2 this book aims to introduce its readers to a mathematical topic that was once widely taught but that has vanished from textbooks and syllabuses over the past 60 years spherical trigonometry

heavenly mathematics the forgotten art of spherical trigonometry - May 12 2023

web xvi 192 p 8 p col plates 25 cm includes bibliographical references and index heavenly mathematics exploring the sphere the ancient approach the medieval approach the modern approach right angled triangles the modern approach oblique triangles areas angles and polyhedra stereographic projection navigation

pdf epub heavenly mathematics the forgotten art of - Jun 01 2022

web mar 12 2020 brief summary of book heavenly mathematics the forgotten art of spherical trigonometry by glen van brummelen here is a quick description and cover image of book heavenly mathematics the forgotten art of spherical trigonometry written by glen van brummelen which was published in 2012 1 1

heavenly mathematics the forgotten art of spherical trigonometry - Mar 10 2023

web apr 4 2017 abstract this book traces the rich history of spherical trigonometry revealing how the cultures of classical greece medieval islam and the modern west used this forgotten art to chart the heavens and the earth once at the heart of astronomy and ocean going navigation for two millennia the discipline was also a mainstay of

heavenly mathematics the forgotten art of spherical - Oct 05 2022

web heavenly mathematics the forgotten art of spherical trigonometry hardcover van brummelen glen amazon com tr kitap

heavenly mathematics the forgotten art of spherical - Feb 09 2023

web heavenly mathematics traces the rich history of spherical trigonometry revealing how the cultures of classical greece medieval islam and the modern west used this forgotten art to chart the heavens and the earth

heavenly mathematics the forgotten art of spherical jstor - Jul 14 2023

web spherical trigonometry was at the heart of astronomy and ocean going navigation for two millennia the discipline was a mainstay of mathematics education for ce

aux fondements de l orthodoxie sunnite amazon fr - May 27 2023

web mais ce qui caractérise par dessus tou l islam sunnite c est l orthodoxie de masse l activisme du peuple majoritaire des croyants dans la défense de sa religion

sunnisme wikipédia - Feb 09 2022

web islam le sunnisme le courant religieux majoritaire de l islam est parfois apparenté à une vision orthodoxe de l islam par

opposition aux chiites et aux kharidjites on appelle

[aux fondements de l'orthodoxie sunnite yadh ben](#) - Aug 30 2023

web aux fondements de l'orthodoxie sunnite listsommaire list i xpages de débutpages de début chapitre suivantkeyboard arrow right vignettes précédent suivant tout

[orthodoxie wikipédia](#) - Jan 11 2022

web une alliance entre le pouvoir religieux le pouvoir politique et une population très attachée à ses croyances ont donné une force à l'orthodoxie sunnite qui perdure depuis des

[aux fondements de l'orthodoxie sunnite google books](#) - Sep 18 2022

web chapitre premier le processus sommaire chapitre premier le processus historique d'édification suivre cet auteuryadh ben achour dansaux fondements de l'orthodoxie

[aux fondements de l'orthodoxie sunnite cairn info](#) - Jul 29 2023

web aux fondements de l'orthodoxie sunnite apr 28 2023 une sainte alliance entre le pouvoir politique le savoir des théologiens et la volonté du peuple majoritaire des

[l'orthodoxie sunnite les fondements de l'échec de la révolution](#) - Mar 13 2022

web les quatre écoles de droit madhhab ont divergé sur des questions de jurisprudence mais sont unanimes sur les fondements de la croyance aqida à savoir le coran et la

[chapitre premier le processus historique d'édification cairn info](#) - Aug 18 2022

web oct 13 2008 name contact information including email address demographic information such as postcode preferences and interests other information relevant to customer

[aux fondements de l'orthodoxie sunnite arabe livres com](#) - Dec 10 2021

web la civilisation arabo musulmane au miroir de l'universel perspectives philosophiques dictionnaire des sciences philosophiques grand dictionnaire universel du xix^e siècle

chapitre 4 la constitutionnalité de l'islam sunnite cairn info - Oct 20 2022

web cette dernière bénéficie d'abord de la force des gardiens les gens du sabre ensuite de celle des gestionnaires du sacré imposant une interprétation orthodoxe du livre

aux fondements de l'orthodoxie sunnite seminary fbny - Nov 08 2021

[aux fondements de l'orthodoxie sunnite open library](#) - Mar 25 2023

web dans aux fondements de l'orthodoxie sunnite 2008 pages 263 à 276 format quoteciter ou exporterajouter à ma bibliographie article plan auteur sur un sujet

aux fondements de l orthodoxie sunnite worldcat org - Nov 20 2022

web chapitre 4 la constitutionnalité de l islam sunnite aux fondements de l orthodoxie sunnite sous la direction de ben achour yadh presses universitaires de france 2008

aux fondements de l orthodoxie sunnite yahd ben achour - Apr 13 2022

web mar 20 2022 les mécanismes d adaptation à la réalité du monde furent nécessairement profanes à l instar de la jurisprudence la comparaison ou la prise en compte de l intérêt

conclusion l orthodoxie sunnite et l islam à l épreuve de l ouest - Feb 21 2023

web le corpus doctrinal est enseigné à l école dans les familles et défendu par le pouvoir politique et se fonde sur une compréhension particulière du coran et de la prophétie la

aux fondements de l orthodoxie sunnite 2023 - Jun 27 2023

web notre système de paiement sécurisé chiffre vos données lors de la transmission nous ne partageons pas les détails de votre carte de crédit avec les vendeurs tiers et nous ne

aux fondements de l orthodoxie sunnite decitre - May 15 2022

web aux fondements de l orthodoxie sunnite yahd ben achour 9782130739920 ebook sciences politiques ebook arts culture société cultura accueil ebook et liseuses

chapitre 2 les fondations de la théorie politique sunnite - Dec 22 2022

web pôle constitutif de l orthodoxie dont la permanence résulte de la conjonction du pouvoir du savoir et de la masse en vue d éliminer tout groupe porteur d une vision rivale un

aux fondements de l orthodoxie sunnite european parlement - Apr 25 2023

web aux fondements de l orthodoxie sunnite by yadh ben achour 2008 presses universitaires de france edition in french français 1re éd aux fondements de

aux fondements de l orthodoxie sunnite broché fnac - Jan 23 2023

web aux fondements de l orthodoxie chapitre 2 les fondations de sommaire chapitre 2 les fondations de la théorie politique sunnite suivre cet auteuryadh ben achour

aux fondements de l orthodoxie sunnite yadh ben achour - Jun 15 2022

web sep 17 2015 ce jugement des autres sur l islam ne fait qu aggraver les ruptures quelles solutions proposer depuis environ deux siècles diverses issues ont été explorées

aux fondements de l orthodoxie sunnite yadh ben achour - Sep 30 2023

web mais ce qui caractérise par dessus tou l islam sunnite c est l orthodoxie de masse l activisme du peuple majoritaire des croyants dans la défense de sa religion

aux fondements de l orthodoxie sunnite librairie de l orient - Jul 17 2022

web oct 15 2008 aux fondements de l orthodoxie sunnite yadh ben achour note moyenne donner le premier avis extrait une sainte alliance entre le pouvoir politique le savoir