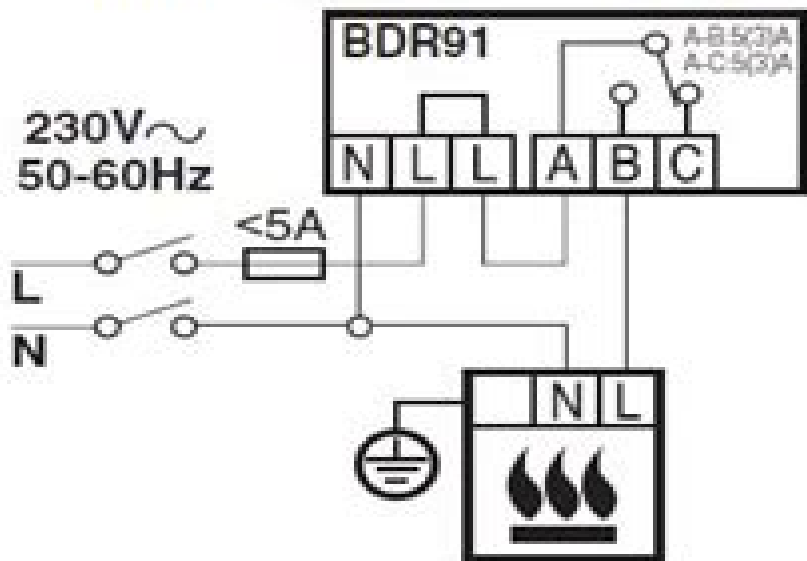
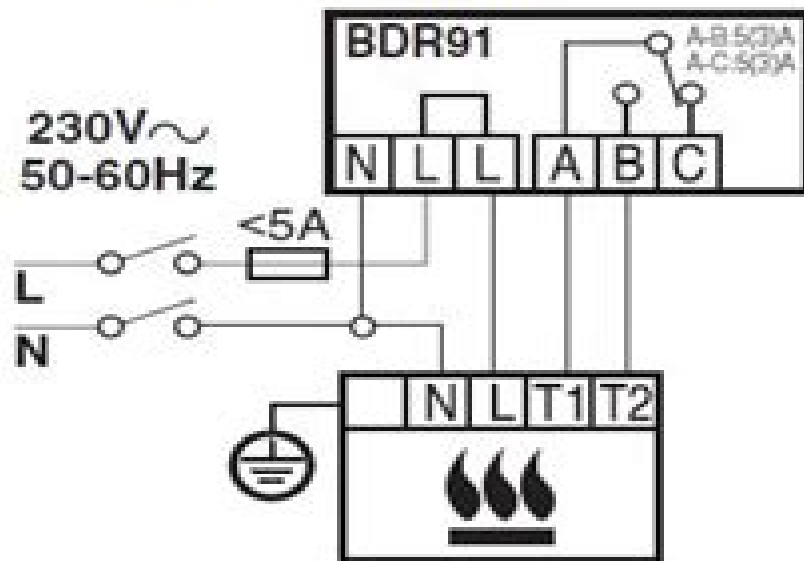


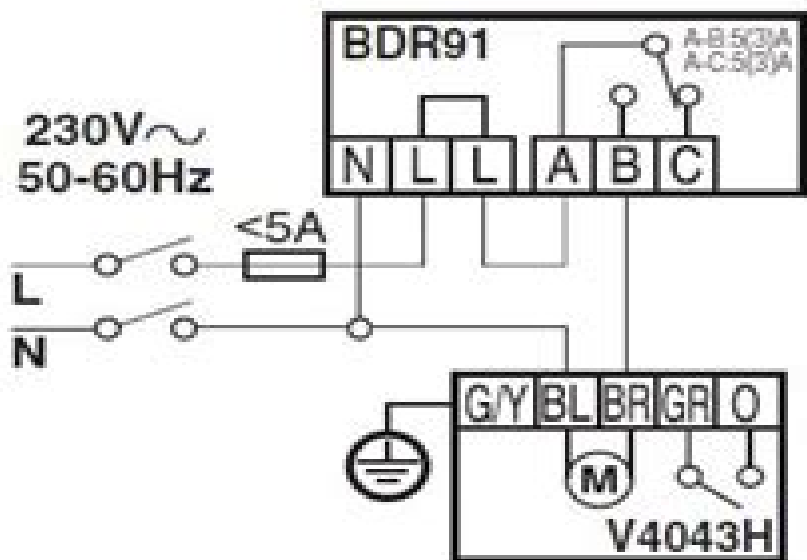
Burner (direct control)



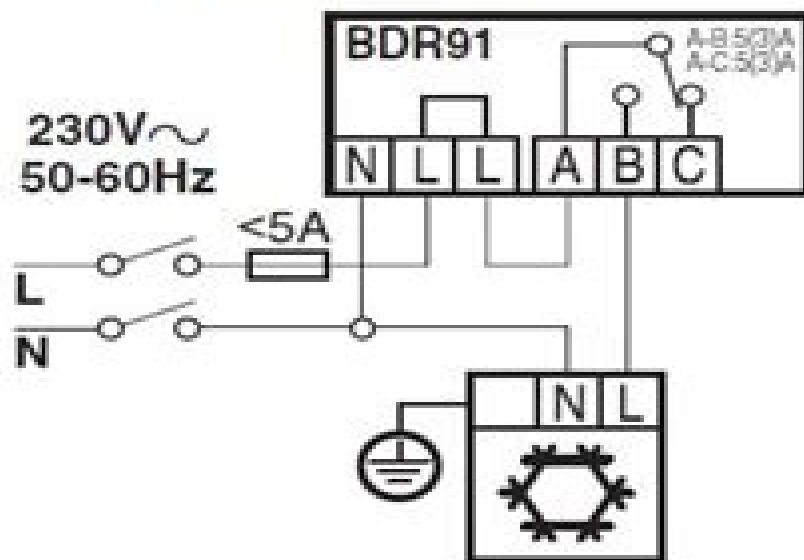
Combi boiler



Zone valve



Cooling device



Honeywell Cm 900 Instructions

Daniel F McAuley



Honeywell Cm 900 Instructions:

Getting the books **Honeywell Cm 900 Instructions** now is not type of challenging means. You could not by yourself going subsequently books buildup or library or borrowing from your links to entry them. This is an enormously simple means to specifically get lead by on-line. This online revelation Honeywell Cm 900 Instructions can be one of the options to accompany you behind having additional time.

It will not waste your time. give a positive response me, the e-book will totally broadcast you new event to read. Just invest tiny period to edit this on-line broadcast **Honeywell Cm 900 Instructions** as skillfully as evaluation them wherever you are now.

https://staging.conocer.cide.edu/public/Resources/fetch.php/Grade_10_Physical_Science_Exam_Papers_November.pdf

Table of Contents Honeywell Cm 900 Instructions

1. Understanding the eBook Honeywell Cm 900 Instructions
 - The Rise of Digital Reading Honeywell Cm 900 Instructions
 - Advantages of eBooks Over Traditional Books
2. Identifying Honeywell Cm 900 Instructions
 - Exploring Different Genres
 - Considering Fiction vs. Non-Fiction
 - Determining Your Reading Goals
3. Choosing the Right eBook Platform
 - Popular eBook Platforms
 - Features to Look for in an Honeywell Cm 900 Instructions
 - User-Friendly Interface
4. Exploring eBook Recommendations from Honeywell Cm 900 Instructions
 - Personalized Recommendations
 - Honeywell Cm 900 Instructions User Reviews and Ratings
 - Honeywell Cm 900 Instructions and Bestseller Lists

5. Accessing Honeywell Cm 900 Instructions Free and Paid eBooks
 - Honeywell Cm 900 Instructions Public Domain eBooks
 - Honeywell Cm 900 Instructions eBook Subscription Services
 - Honeywell Cm 900 Instructions Budget-Friendly Options
6. Navigating Honeywell Cm 900 Instructions eBook Formats
 - ePub, PDF, MOBI, and More
 - Honeywell Cm 900 Instructions Compatibility with Devices
 - Honeywell Cm 900 Instructions Enhanced eBook Features
7. Enhancing Your Reading Experience
 - Adjustable Fonts and Text Sizes of Honeywell Cm 900 Instructions
 - Highlighting and Note-Taking Honeywell Cm 900 Instructions
 - Interactive Elements Honeywell Cm 900 Instructions
8. Staying Engaged with Honeywell Cm 900 Instructions
 - Joining Online Reading Communities
 - Participating in Virtual Book Clubs
 - Following Authors and Publishers Honeywell Cm 900 Instructions
9. Balancing eBooks and Physical Books Honeywell Cm 900 Instructions
 - Benefits of a Digital Library
 - Creating a Diverse Reading Collection Honeywell Cm 900 Instructions
10. Overcoming Reading Challenges
 - Dealing with Digital Eye Strain
 - Minimizing Distractions
 - Managing Screen Time
11. Cultivating a Reading Routine Honeywell Cm 900 Instructions
 - Setting Reading Goals Honeywell Cm 900 Instructions
 - Carving Out Dedicated Reading Time
12. Sourcing Reliable Information of Honeywell Cm 900 Instructions
 - Fact-Checking eBook Content of Honeywell Cm 900 Instructions
 - Distinguishing Credible Sources
13. Promoting Lifelong Learning

- Utilizing eBooks for Skill Development
 - Exploring Educational eBooks
14. Embracing eBook Trends
- Integration of Multimedia Elements
 - Interactive and Gamified eBooks

Honeywell Cm 900 Instructions Introduction

In this digital age, the convenience of accessing information at our fingertips has become a necessity. Whether its research papers, eBooks, or user manuals, PDF files have become the preferred format for sharing and reading documents. However, the cost associated with purchasing PDF files can sometimes be a barrier for many individuals and organizations. Thankfully, there are numerous websites and platforms that allow users to download free PDF files legally. In this article, we will explore some of the best platforms to download free PDFs. One of the most popular platforms to download free PDF files is Project Gutenberg. This online library offers over 60,000 free eBooks that are in the public domain. From classic literature to historical documents, Project Gutenberg provides a wide range of PDF files that can be downloaded and enjoyed on various devices. The website is user-friendly and allows users to search for specific titles or browse through different categories. Another reliable platform for downloading Honeywell Cm 900 Instructions free PDF files is Open Library. With its vast collection of over 1 million eBooks, Open Library has something for every reader. The website offers a seamless experience by providing options to borrow or download PDF files. Users simply need to create a free account to access this treasure trove of knowledge. Open Library also allows users to contribute by uploading and sharing their own PDF files, making it a collaborative platform for book enthusiasts. For those interested in academic resources, there are websites dedicated to providing free PDFs of research papers and scientific articles. One such website is Academia.edu, which allows researchers and scholars to share their work with a global audience. Users can download PDF files of research papers, theses, and dissertations covering a wide range of subjects. Academia.edu also provides a platform for discussions and networking within the academic community. When it comes to downloading Honeywell Cm 900 Instructions free PDF files of magazines, brochures, and catalogs, Issuu is a popular choice. This digital publishing platform hosts a vast collection of publications from around the world. Users can search for specific titles or explore various categories and genres. Issuu offers a seamless reading experience with its user-friendly interface and allows users to download PDF files for offline reading. Apart from dedicated platforms, search engines also play a crucial role in finding free PDF files. Google, for instance, has an advanced search feature that allows users to filter results by file type. By specifying the file type as "PDF," users can find websites that offer free PDF downloads on a specific topic. While downloading Honeywell Cm 900 Instructions free PDF files is convenient,

its important to note that copyright laws must be respected. Always ensure that the PDF files you download are legally available for free. Many authors and publishers voluntarily provide free PDF versions of their work, but its essential to be cautious and verify the authenticity of the source before downloading Honeywell Cm 900 Instructions. In conclusion, the internet offers numerous platforms and websites that allow users to download free PDF files legally. Whether its classic literature, research papers, or magazines, there is something for everyone. The platforms mentioned in this article, such as Project Gutenberg, Open Library, Academia.edu, and Issuu, provide access to a vast collection of PDF files. However, users should always be cautious and verify the legality of the source before downloading Honeywell Cm 900 Instructions any PDF files. With these platforms, the world of PDF downloads is just a click away.

FAQs About Honeywell Cm 900 Instructions Books

What is a Honeywell Cm 900 Instructions PDF? A PDF (Portable Document Format) is a file format developed by Adobe that preserves the layout and formatting of a document, regardless of the software, hardware, or operating system used to view or print it. **How do I create a Honeywell Cm 900 Instructions PDF?** There are several ways to create a PDF: Use software like Adobe Acrobat, Microsoft Word, or Google Docs, which often have built-in PDF creation tools. Print to PDF: Many applications and operating systems have a "Print to PDF" option that allows you to save a document as a PDF file instead of printing it on paper. Online converters: There are various online tools that can convert different file types to PDF. **How do I edit a Honeywell Cm 900 Instructions PDF?** Editing a PDF can be done with software like Adobe Acrobat, which allows direct editing of text, images, and other elements within the PDF. Some free tools, like PDFescape or Smallpdf, also offer basic editing capabilities. **How do I convert a Honeywell Cm 900 Instructions PDF to another file format?** There are multiple ways to convert a PDF to another format: Use online converters like Smallpdf, Zamzar, or Adobe Acrobats export feature to convert PDFs to formats like Word, Excel, JPEG, etc. Software like Adobe Acrobat, Microsoft Word, or other PDF editors may have options to export or save PDFs in different formats. **How do I password-protect a Honeywell Cm 900 Instructions PDF?** Most PDF editing software allows you to add password protection. In Adobe Acrobat, for instance, you can go to "File" -> "Properties" -> "Security" to set a password to restrict access or editing capabilities. Are there any free alternatives to Adobe Acrobat for working with PDFs? Yes, there are many free alternatives for working with PDFs, such as: LibreOffice: Offers PDF editing features. PDFsam: Allows splitting, merging, and editing PDFs. Foxit Reader: Provides basic PDF viewing and editing capabilities. How do I compress a PDF file? You can use online tools like Smallpdf, ILovePDF, or desktop software like Adobe Acrobat to compress PDF files without significant quality loss. Compression reduces the file size, making it easier to share and download. Can I fill out forms in a PDF file? Yes, most PDF viewers/editors like Adobe

Acrobat, Preview (on Mac), or various online tools allow you to fill out forms in PDF files by selecting text fields and entering information. Are there any restrictions when working with PDFs? Some PDFs might have restrictions set by their creator, such as password protection, editing restrictions, or print restrictions. Breaking these restrictions might require specific software or tools, which may or may not be legal depending on the circumstances and local laws.

Find Honeywell Cm 900 Instructions :

[grade 10 physical science exam papers november](#)

[grade 11 november 2014 paper 1 physical sciences](#)

grade 11 accounting 2009 limpopo memonovember

[grade 10 of 2014 life science p1 full](#)

[grade 11 geography p2 june 2014](#)

grade 11 maths lit september 2014 limpopo

[grade 11 life sciences exam paper for march 2014](#)

grade 10 physical science common paper date

grade 11 maths lit nsc june 2014

[grade 10 science final exam questions accounting 2014](#)

grade 11 english paper 1 november 2013

grade 11 physical science exemplar papers

[grade 11 2014 mathematics caps question paper term 1 17 march](#)

grade 11 exam geography p1 november 2014

grade 11 afrikaans exemplar caps 2013

Honeywell Cm 900 Instructions :

therapie tools cbasp psychotherapie chronischer depression mit e - Mar 10 2023

web aug 17 2022 mit e book inside und arbeitsmaterial buch broschiert 152 seiten isbn 978 3 621 28946 7 erschienen 17 08

2022 lieferzeit ca 3 bis 5 werktage andere produktarten e book pdf 39 99 zur produktliste psychotherapie klinische

psychologie therapie tools cbasp psychotherapie chronischer depression mit e book inside

amazon com tr müşteri yorumları therapie tools depression mit e book - Feb 09 2023

web amazon com tr sitesinde therapie tools depression mit e book inside und arbeitsmaterial beltz therapie tools ürünü için

faydalı müşteri yorumlarını ve derecelendirmeleri bulabilirsiniz kullanıcılarımızın samimi

therapie tools depression e book arbeitsmaterial by faßbinder - Jun 01 2022

web therapie tools depression mit e book inside und arbeitsmaterial by faßbinder eva klein jan philipp sipos valerija schweiger ulrich and a great selection of related books art and collectibles available now at abebooks com

therapie tools depression bei menschen mit geistiger behinderung mit e - Oct 05 2022

web therapie tools depression bei menschen mit geistiger behinderung mit e book inside und arbeitsmaterial in leichter sprache beltz therapie tools erretkamps anna kufner katharina schmid susanne bengel jürgen isbn 9783621284462

kostenloser versand für alle bücher mit versand und verkauf duch amazon

therapie tools depression mit e book inside und a david e - Feb 26 2022

web therapie tools depression mit e book inside und a right here we have countless ebook therapie tools depression mit e book inside und a and collections to check out we additionally manage to pay for variant types and then type of the books to browse the welcome book fiction history novel scientific research as with ease as various

therapie tools depression mit e book inside und - Aug 15 2023

web oct 5 2015 das therapie tool depression umfasst über 200 arbeits und informationsblätter neben den etablierten techniken der kognitiven verhaltenstherapie wird eine vielzahl neuer techniken dargestellt die in den letzten jahrzehnten entwickelt wurden und für viele patienten hilfreich sein können

11 gute bücher zum thema depression mit vergnügen berlin - Dec 27 2021

web 2 sylvia plath die glasglocke der einzige roman den die amerikanische schriftstellerin und lyrikerin sylvia plath je geschrieben hat erzählt die geschichte einer jungen frau die ihren platz im leben sucht an ihren eigenen erwartungen scheitert und langsam in eine tiefe depression fällt

therapie tools beltz - Jun 13 2023

web therapie tools depression mit e book inside und arbeitsmaterial depressionen erfolgreich behandeln buch broschiert lieferzeit ca 3 bis 5 werktage 47 00 cart bookmark

therapie tools depression mit e book inside und - Jul 14 2023

web therapie tools depression mit e book inside und arbeitsmaterial beltz therapie tools faßbinder eva klein jan philipp sipos valerija schweiger ulrich amazon com tr kitap

therapie tools depression mit e book inside und - Apr 11 2023

web oct 5 2015 amazon com therapie tools depression mit e book inside und arbeitsmaterial 9783621282253 faßbinder eva klein jan philipp sipos valerija schweiger ulrich books

therapie tools depression mit e book inside und arbeitsmaterial beltz - May 12 2023

web therapie tools depression mit e book inside und arbeitsmaterial beltz therapie tools faßbinder eva klein jan philipp sipos valerija schweiger ulrich isbn 9783621282253 kostenloser versand für alle bücher mit

9783621282253 therapie tools depression mit e book inside und - Dec 07 2022

web abebooks com therapie tools depression mit e book inside und arbeitsmaterial 9783621282253 by faßbinder eva klein jan philipp sipos valerija schweiger ulrich and a great selection of similar new used and collectible books available now

therapie tools depression mit e book inside und - Nov 06 2022

web therapie tools depression mit e book inside und arbeitsmaterial von eva faßbinder 14 september 2015 taschenbuch isbn kostenloser versand für alle bücher mit versand und verkauf duch amazon

therapie tools depression mit e inside und a carmel sheridan book - Jan 28 2022

web getting the books therapie tools depression mit e inside und a now is not type of challenging means you could not abandoned going taking into consideration book heap or library or borrowing from your connections to edit them

therapie tools depression im kindes und jugendalter mit e book - Sep 04 2022

web jun 1 2018 depressiven kindern helfen Über 160 arbeits und informationsblätter für alle therapiephasenjede r kinder und jugendlichenpsychotherapeut in begegnet traurigen und depressiven patient innen im beruflichen alltag der therapie tools band gibt ihnen alle notwendigen materialien für die therapie an die hand

e book inside beltz - Jan 08 2023

web lieferzeit sofort download 34 99 cart bookmark bernd ubben planungsleitfaden verhaltenstherapie sitzungsaufbau probatorik bericht an den gutachter mit e book inside und arbeitsmaterial rasch den roten faden finden buch gebunden

therapie tools depression mit e book inside und a elena - Mar 30 2022

web publication therapie tools depression mit e book inside und a can be one of the options to accompany you gone having supplementary time it will not waste your time say yes me the e book will certainly proclaim you extra business to read just invest tiny era to gain access to this on line

therapie tools depression mit e book inside und - Aug 03 2022

web apr 17 2023 therapie tools depression mit e book inside und arbeitsmaterial beltz therapie tools april 17 2023 buch die buchreihe therapie tools vom beltz verlag umfasst verschiedene bände zu vielfältigen themen und hat das ziel das arbeitsrepertoire für psychotherapeuten zu erweitern

amazon de kundenrezensionen therapie tools depression mit e book - Apr 30 2022

web finde hilfreiche kundenrezensionen und rezensionsbewertungen für therapie tools depression mit e book inside und arbeitsmaterial beltz therapie tools auf amazon de lese ehrliche und unvoreingenommene rezensionen von unseren nutzern

therapie tools depression im kindes und jugendalter mit e book inside - Jul 02 2022

web therapie tools depression im kindes und jugendalter mit e book inside und arbeitsmaterial beltz therapie tools groen
gunter petermann franz isbn 9783621282673 kostenloser versand für alle bücher mit

[alain delon ange et voyou vincent quivy google books](#) - Jun 17 2023

reviews aren t verified but google checks for and removes fake content when it s identified enfant de l entre deux guerres
destiné à reprendre une prospère charcuterie de banlieue

alain delon ange et voyou help environment harvard edu - Oct 29 2021

et combattues par les pouvoirs en place ce livre propose une sorte de best of déroutant et souvent hilarant de ce fatras de
croyances et d ignorances que rien sinon la conviction ne

alain delon ange et voyou vincent quivy bookys ebooks - Dec 31 2021

téléchargement gratuit de romans alain delon ange et voyou vincent quivy disponible en pdf epub et kindle lisez écrivez des
critiques et bien plus encore

[alain delon ange et voyou archives d anna](#) - Mar 02 2022

la plus grande bibliothèque open source et open data au monde inclut sci hub library genesis z library et plus 21 331 950
livres 86 614 409 articles de recherche 2 451 042

alain delon ange et voyou vincent quivy cultura - Aug 07 2022

alain delon ange et voyou vincent quivy auteur descriptif détaillé epub 15 99 téléchargement direct grand format 22 50
auteur vincent quivy editeur le seuil

alain delon ange et voyou - Sep 08 2022

à paris genève ou saint tropez alain delon n est plus la fringante vedette d autrefois le domaine qu il arpente en propriétaire
solitaire est un théâtre d ombres et de fantômes l acteur

alain delon ange et voyou vincent quivy furet du nord - Jul 06 2022

oct 26 2017 télécharger le livre alain delon ange et voyou de vincent quivy Éditeur le seuil en version numérique lisez votre
ebook alain delon ange et voyou sur votre

[alain delon ange et voyou vincent quivy bnfa](#) - Jan 12 2023

l icône emblématique du cinéma français son parcours et ses paradoxes se dévoilent peu à peu à travers ce portrait humain
lucide et nuancé révélateur d une existence passionnée et

alain delon ange et voyou documents h c french - Jun 05 2022

alain delon ange et voyou documents h c french edition ebook quivy vincent amazon com au kindle store

alain delon ange et voyou broché vincent quivy fnac - Feb 13 2023

oct 26 2017 alain delon ange et voyou vincent quivy seuil des milliers de livres avec la livraison chez vous en 1 jour ou en

magasin avec 5 de réduction ou téléchargez la version

alain delon ange et voyou vincent qu éditions seuil - Aug 19 2023

vincent quivy enfant de l entre deux guerres destiné à reprendre une prospère charcuterie de banlieue alain delon voit très jeune dans le cinéma le moyen d échapper à une existence

alain delon ange et voyou documents h c format - Oct 09 2022

alain delon ange et voyou documents h c ebook quivy vincent amazon fr livres

alain delon ange et voyou de vincent quivy decitre - Apr 15 2023

oct 26 2017 alain delon ange et voyou grand format vincent quivy note moyenne donner le premier avis extrait enfant de l entre deux guerres destiné à reprendre une

alain delon ange et voyou google play - May 16 2023

alain delon ange et voyou ebook written by vincent quivy read this book using google play books app on your pc android ios devices download for offline reading highlight

alain delon ange et voyou quivy vincent - Jul 18 2023

alain delon ange et voyou broché grand livre 26 octobre 2017 enfant de l entre deux guerres destiné à reprendre une prospère charcuterie de banlieue alain delon voit très

alain delon ange et voyou vincent quivy librairie eyrolles - Apr 03 2022

enfant de l entre deux guerres destiné à reprendre une prospère charcuterie de banlieue alain delon voit très jeune dans le cinéma le moyen d échapper à une existence trop ordinaire

alain delon ange et voyou couverture souple abebooks - Mar 14 2023

mais sa vie d homme d affaire soucieux de rentabiliser son image ses relations avec le milieu et l affaire markovic ainsi que sa propension à s enfermer peu à peu dans des rôles de flic ou de

alain delon ange et voyou by amazon ae - May 04 2022

buy alain delon ange et voyou by online on amazon ae at best prices fast and free shipping free returns cash on delivery available on eligible purchase

alain delon ange et voyou vincent quivy actualité - Dec 11 2022

oct 26 2017 enfant de l entre deux guerres destiné à reprendre une prospère charcuterie de banlieue alain delon voit très jeune dans le cinéma le moyen d échapper à une existence

télécharger alain delon ange et voyou ebooks gratuits - Nov 29 2021

téléchargez gratuitement le livre alain delon ange et voyou écrit par vincent quivy ebook en format epub ou pdf

alain delon ange et voyou vincent quivy 2017 bookys - Feb 01 2022

may 2 2018 enfant de l entre deux guerres destiné à reprendre une prospère charcuterie de banlieue alain delon voit très jeune dans le cinéma le moyen d échapper à une existence

[alain delon ange et voyou vincent quivy babelio](#) - Sep 20 2023

oct 19 2017 alain delon ange et voyou confirme en réalité tout ce que l on peut penser sur alain delon immense acteur ayant tourné dans plusieurs chefs d oeuvres plein soleil

[alain delon ange et voyou revus corrigés](#) - Nov 10 2022

jan 11 2018 alain delon ange et voyou publié par sylvain lefort le 11 janvier 2018 vincent quivy écrivain et journaliste a publié aux éditions du seuil en octobre dernier une biographie

blue remembered hills dennis potter complete review - Nov 26 2022

web gcse english form the action of blue remembered hills is told through naturalistic scenes that reflect on every day life e g believable true to life 7 year old children to

blue remembered hills written by dennis potter - May 01 2023

web blue remembered hills remains one of dennis potter s best known plays and is likely the one that is most often still produced on the stage even though it was originally written for

the action of blue remembered hills is told through naturalistic - Jun 21 2022

web jul 12 2017 blue remembered hills short summary this year our practical assessment in drama has been a three month project from september until december on blue

blue remembered hills a play potter dennis archive org - Jan 29 2023

web gcse drama blue remembered hills synopsis scene 1 willie and peter are introduced setting the time the play is set and the age of the characters they re talking

blue remembered hills synopsis gcse drama marked by - Aug 24 2022

web study blue remembered hills scene 5 flashcards from soph w s class online or in brainscape s iphone or android app learn faster with spaced repetition

blue remembered hills by dennis potter goodreads - Dec 28 2022

web here are 9 results for blue remembered hills full script 1 blue remembered hills script pdf blue remembered hills script sixnm esy es blue remembered hills

autumn blue remembered hills pdf free download docplayer - Jun 02 2023

web internet archive language english vi 42 pages 22 cm a simple tale of the activities of seven west country seven year olds on a summer afternoon during the second world

scripts containing the term blue remembered hills - Feb 15 2022

[b blog 2017 12 takingthepee pdf blue remembered hills - Nov 14 2021](#)

blue remembered hills short summary essay example - Jan 17 2022

blue remembered hills full script 9 pdf files past papers - Jul 23 2022

web looking for the scripts matching blue remembered hills find all about blue remembered hills on scripts com the web s largest and most comprehensive scripts resource

blue remembered hills scene 5 flashcards by soph w - Mar 19 2022

blue remembered hills concord theatricals - Mar 31 2023

web blue remembered hills gcse drama charley wheeler discuss in detail how you would play either willie or john in the selected scene you will need to refer to voice

[blue remembered hills gcse drama marked by teachers com](#) - Oct 26 2022

web apr 3 2023 docx 26 28 kb a powerpoint of 7 lessons worth of text exploration on blue remembered hills with short script extracts attached 7 lessons that explore thought

blue remembered hills powerpoint scheme of - May 21 2022

web dec 5 2019 in our last drama piece we performed a section of dennis potter s blue remembered hills this play is mainly based around seven seven year old children

blue remembered hills drama scheme teaching - Feb 27 2023

web when i first read the script of blue remembered hills i thought it was quite naturalistic and it was well written from a child s perspective the characters were all very believable and

when i first read the script of blue remembered hills i thought it - Sep 24 2022

web dec 4 2012 excellent characterisation with timeless script by tom ward thomas for remotegoat on 12 04 12 dennis potter s blue remembered hills originally a television

blue remembered hills wjec - Oct 06 2023

web originally blue remembered hills by the playwright dennis potter was a tv play it was first performed in 1979 as part of the play for today series on the bbc shortly

blue remembered hills script free essay example paperap com - Dec 16 2021

apollo theatre company blue remembered hills - Apr 19 2022

web i remembered the features much better than i thought i would funny how what one learns in childhood gets burned in seeing valles alpis top left of left hand photo was especially

blue remembered hills script s13 pdf - Jul 03 2023

web w what ang well we were hiding in the trees weren t we j that s right we didn t see nothing p we don t know nothing about it do us ray poor old quack quack into my

blue remembered hills concord theatricals - Aug 04 2023

web peter a cry baby john one puncll and him ll give in one punch that s all the barn peter flapping his arms quack quack donald duck left alone sits huddled up against the

blue remembered hills bexley grammar school - Sep 05 2023

web dennis potter this deceptively simple tale relates the activities of seven english children played by adults on a summer afternoon during world war ii in a woods a field and a