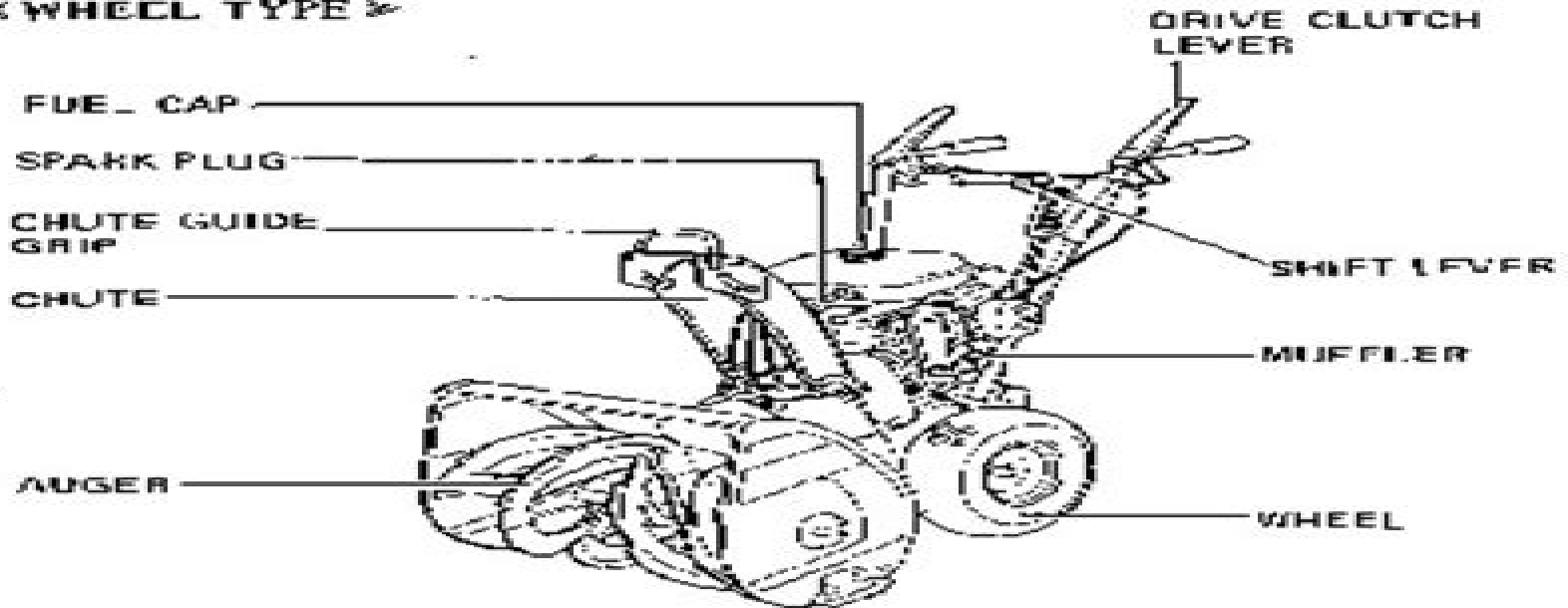
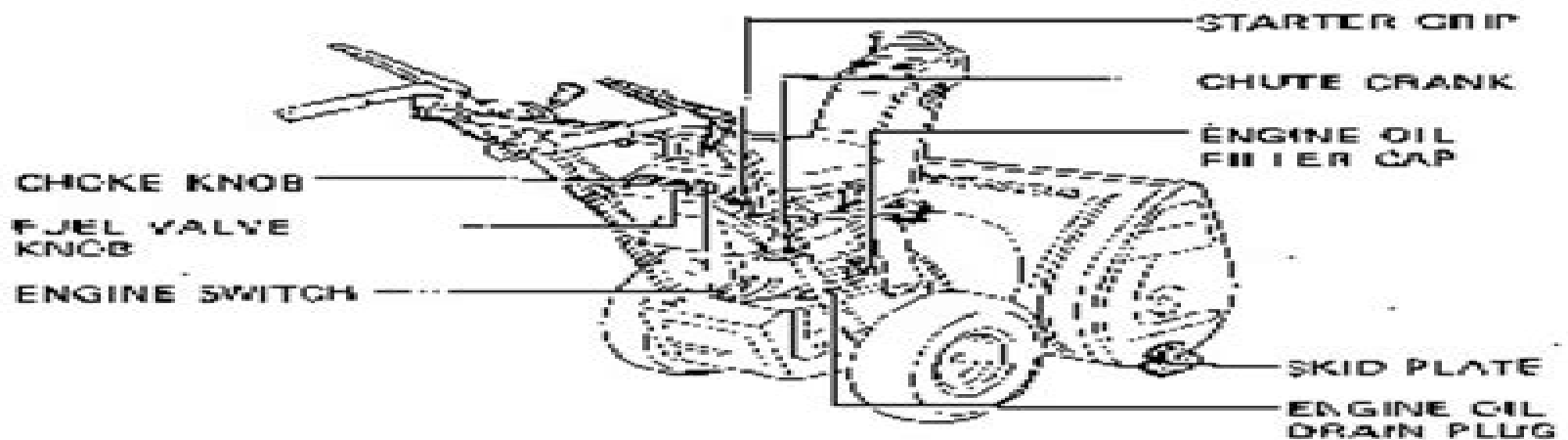


2. COMPONENT IDENTIFICATION AND FUNCTION

◀ WHEEL TYPE ▶



AUGER CLUTCH LEVER



Honda Hs50 Parts Manual

F Rizvi



Honda Hs50 Parts Manual:

Small Air-cooled Engine Service Manual, 1990-1994 ,1995 Previously published as one volume under same title
Honda 50, Model P50 ,1967 Honda Engine, Model G45 ,1965 Honda Parts Catalog, CL175K7, HC 47407 ,1976
Parts list for Honda CB350F. ,1974 **Parts List for Honda** Honda Motor Co,1980 Honda 50.55 ,1967 **Honda**
90 Sport, Model S90 ,1967 Parts List for Honda CB125K5 ,1972 **Honda 90, Model CD90** ,1967

Fuel your quest for knowledge with Learn from is thought-provoking masterpiece, **Honda Hs50 Parts Manual** . This educational ebook, conveniently sized in PDF (*), is a gateway to personal growth and intellectual stimulation. Immerse yourself in the enriching content curated to cater to every eager mind. Download now and embark on a learning journey that promises to expand your horizons. .

<https://staging.conocer.cide.edu/public/book-search/default.aspx/Ethics%20In%20Medical%20Research%20A%20Handbook%20Of%20Good%20Practice.pdf>

Table of Contents Honda Hs50 Parts Manual

1. Understanding the eBook Honda Hs50 Parts Manual
 - The Rise of Digital Reading Honda Hs50 Parts Manual
 - Advantages of eBooks Over Traditional Books
2. Identifying Honda Hs50 Parts Manual
 - Exploring Different Genres
 - Considering Fiction vs. Non-Fiction
 - Determining Your Reading Goals
3. Choosing the Right eBook Platform
 - Popular eBook Platforms
 - Features to Look for in an Honda Hs50 Parts Manual
 - User-Friendly Interface
4. Exploring eBook Recommendations from Honda Hs50 Parts Manual
 - Personalized Recommendations
 - Honda Hs50 Parts Manual User Reviews and Ratings
 - Honda Hs50 Parts Manual and Bestseller Lists
5. Accessing Honda Hs50 Parts Manual Free and Paid eBooks
 - Honda Hs50 Parts Manual Public Domain eBooks
 - Honda Hs50 Parts Manual eBook Subscription Services

- Honda Hs50 Parts Manual Budget-Friendly Options
- 6. Navigating Honda Hs50 Parts Manual eBook Formats
 - ePub, PDF, MOBI, and More
 - Honda Hs50 Parts Manual Compatibility with Devices
 - Honda Hs50 Parts Manual Enhanced eBook Features
- 7. Enhancing Your Reading Experience
 - Adjustable Fonts and Text Sizes of Honda Hs50 Parts Manual
 - Highlighting and Note-Taking Honda Hs50 Parts Manual
 - Interactive Elements Honda Hs50 Parts Manual
- 8. Staying Engaged with Honda Hs50 Parts Manual
 - Joining Online Reading Communities
 - Participating in Virtual Book Clubs
 - Following Authors and Publishers Honda Hs50 Parts Manual
- 9. Balancing eBooks and Physical Books Honda Hs50 Parts Manual
 - Benefits of a Digital Library
 - Creating a Diverse Reading Collection Honda Hs50 Parts Manual
- 10. Overcoming Reading Challenges
 - Dealing with Digital Eye Strain
 - Minimizing Distractions
 - Managing Screen Time
- 11. Cultivating a Reading Routine Honda Hs50 Parts Manual
 - Setting Reading Goals Honda Hs50 Parts Manual
 - Carving Out Dedicated Reading Time
- 12. Sourcing Reliable Information of Honda Hs50 Parts Manual
 - Fact-Checking eBook Content of Honda Hs50 Parts Manual
 - Distinguishing Credible Sources
- 13. Promoting Lifelong Learning
 - Utilizing eBooks for Skill Development
 - Exploring Educational eBooks
- 14. Embracing eBook Trends

- Integration of Multimedia Elements
- Interactive and Gamified eBooks

Honda Hs50 Parts Manual Introduction

In the digital age, access to information has become easier than ever before. The ability to download Honda Hs50 Parts Manual has revolutionized the way we consume written content. Whether you are a student looking for course material, an avid reader searching for your next favorite book, or a professional seeking research papers, the option to download Honda Hs50 Parts Manual has opened up a world of possibilities. Downloading Honda Hs50 Parts Manual provides numerous advantages over physical copies of books and documents. Firstly, it is incredibly convenient. Gone are the days of carrying around heavy textbooks or bulky folders filled with papers. With the click of a button, you can gain immediate access to valuable resources on any device. This convenience allows for efficient studying, researching, and reading on the go. Moreover, the cost-effective nature of downloading Honda Hs50 Parts Manual has democratized knowledge. Traditional books and academic journals can be expensive, making it difficult for individuals with limited financial resources to access information. By offering free PDF downloads, publishers and authors are enabling a wider audience to benefit from their work. This inclusivity promotes equal opportunities for learning and personal growth. There are numerous websites and platforms where individuals can download Honda Hs50 Parts Manual. These websites range from academic databases offering research papers and journals to online libraries with an expansive collection of books from various genres. Many authors and publishers also upload their work to specific websites, granting readers access to their content without any charge. These platforms not only provide access to existing literature but also serve as an excellent platform for undiscovered authors to share their work with the world. However, it is essential to be cautious while downloading Honda Hs50 Parts Manual. Some websites may offer pirated or illegally obtained copies of copyrighted material. Engaging in such activities not only violates copyright laws but also undermines the efforts of authors, publishers, and researchers. To ensure ethical downloading, it is advisable to utilize reputable websites that prioritize the legal distribution of content. When downloading Honda Hs50 Parts Manual, users should also consider the potential security risks associated with online platforms. Malicious actors may exploit vulnerabilities in unprotected websites to distribute malware or steal personal information. To protect themselves, individuals should ensure their devices have reliable antivirus software installed and validate the legitimacy of the websites they are downloading from. In conclusion, the ability to download Honda Hs50 Parts Manual has transformed the way we access information. With the convenience, cost-effectiveness, and accessibility it offers, free PDF downloads have become a popular choice for students, researchers, and book lovers worldwide. However, it is crucial to engage in ethical downloading practices and prioritize personal security when utilizing online platforms. By doing

so, individuals can make the most of the vast array of free PDF resources available and embark on a journey of continuous learning and intellectual growth.

FAQs About Honda Hs50 Parts Manual Books

How do I know which eBook platform is the best for me? Finding the best eBook platform depends on your reading preferences and device compatibility. Research different platforms, read user reviews, and explore their features before making a choice. Are free eBooks of good quality? Yes, many reputable platforms offer high-quality free eBooks, including classics and public domain works. However, make sure to verify the source to ensure the eBook credibility. Can I read eBooks without an eReader? Absolutely! Most eBook platforms offer web-based readers or mobile apps that allow you to read eBooks on your computer, tablet, or smartphone. How do I avoid digital eye strain while reading eBooks? To prevent digital eye strain, take regular breaks, adjust the font size and background color, and ensure proper lighting while reading eBooks. What the advantage of interactive eBooks? Interactive eBooks incorporate multimedia elements, quizzes, and activities, enhancing the reader engagement and providing a more immersive learning experience. Honda Hs50 Parts Manual is one of the best book in our library for free trial. We provide copy of Honda Hs50 Parts Manual in digital format, so the resources that you find are reliable. There are also many Ebooks of related with Honda Hs50 Parts Manual. Where to download Honda Hs50 Parts Manual online for free? Are you looking for Honda Hs50 Parts Manual PDF? This is definitely going to save you time and cash in something you should think about.

Find Honda Hs50 Parts Manual :

ethics in medical research a handbook of good practice

europe by eurail 1988-89

europe 1880-1945.

etudes epigraphiques nouveau choix dinscriptions de delos louis comptes et inventaires

europe 1780-1830

ethique de l information fondements et p

ethics of asking dilemmas in higher education fund raising

ethics of assistance morality and the distant needy

europe az blueprint

ethnomethodological movement

european corporate bond market high grade high yield

etnikeskie prestupleniia osobennosti protsebualnogo dokazyvaniia

eucharistic prayers for concelebration

euro-mapemilia-romagna

~~ethnoecology knowledge resources and rights~~

Honda Hs50 Parts Manual :

the universe in your hand google books - Jan 09 2023

web the universe in your hand a journey through space time and beyond christophe galfard macmillan 2015 astrophysics 436 pages

the universe in your hand amazon com - Jun 14 2023

web apr 19 2016 the universe in your hand a journey through space time and beyond kindle edition by galfard christophe

download it once and read it on your kindle device pc phones or tablets use features like bookmarks note taking and

highlighting while reading the universe in your hand a journey through space time and

the universe in your hand macmillan - Dec 08 2022

web apr 4 2017 the universe in your hand a journey through space time and beyond author christophe galfard honors read

excerpt about this book stephen hawking s protégé and co writer lifts the veil on the mysteries of our universe in a style that is wonderfully direct page count 400 genre nonfiction on sale 04 04 2017 book details

the universe in your hand a journey through space time and - Mar 31 2022

web the universe in your hand takes us on a wonder filled journey to the surface of our dying sun shrinks us to the size of an atom and puts us in the deathly grip of distant black holes along the way you might come to understand really understand the mind bending science that underpins modern life from quantum mechanics to einstein s theory

pdf epub the universe in your hand a journey through - Dec 28 2021

web nov 12 2020 click on below buttons to start download the universe in your hand a journey through space time and

beyond by christophe galfard pdf epub without registration this is free download the universe in your hand a journey through space time and beyond by christophe galfardcomplete book soft copy

the universe in your hand a journey through space time - Aug 04 2022

web buy the universe in your hand a journey through space time and beyond book online at low prices in india the universe in your hand a journey through space time and beyond reviews ratings amazon in books higher education textbooks science

mathematics buy new 4 537 38 inclusive of all taxes free delivery 22 23

the universe in your hand a journey through space time and - Apr 12 2023

web the universe in your hand a journey through space time and beyond christophe galfard amazon com tr kitap

[the universe in your hand a journey through space time and](#) - Feb 10 2023

web mar 29 2022 the universe in your hand is a popular science book that aims to explain quantum mechanics general relativity and string theory using storytelling instead of graphs and equations

the universe in your hand amazon com tr - Oct 06 2022

web the universe in your hand a journey through space time and beyond christophe galfard amazon com tr kitap

the universe in your hand by christophe galfard pan macmillan - Sep 05 2022

web jun 2 2016 the universe in your hand takes us on a wonder filled journey to the surface of our dying sun shrinks us to the size of an atom and puts us in the deathly grip of distant black holes along the way you might come to understand really understand the mind bending science that underpins modern life from quantum mechanics to einstein s theory

[the universe in your hand a journey through space time and](#) - Nov 07 2022

web the universe in your hand explores some of the most profound and amazing ideas of our times quantum mechanics general relativity time travel parallel realities and multiple universes with the promise that you ll only need one equation the fabled $e=mc^2$ christophe galfard who studied black holes and the origins of our universe as

the universe in your hand a journey through space time and - May 13 2023

web apr 19 2016 the universe in your hand a journey through space time and beyond is a pop science book that brings you to the cutting edge of today s knowledge without needing any scientific background whatsoever

quantum solar system the universe in your hands youtube - Jan 29 2022

web apr 16 2023 quantum solar system the universe in your hands you can get it at indiegogo com projects qu levitation platform where the planets orbit around the sun

the universe in your hand a journey through space time and - Jul 03 2022

web the universe in your hand takes us on a wonder filled journey to the surface of our dying sun shrinks us to the size of an atom and puts us in the deathly grip of distant black holes along the way you might come to understand really understand the mind bending science that underpins modern life from quantum mechanics to einstein s theory

the universe in your hand a journey through space time and - May 01 2022

web using his considerable skills as a brilliant theoretical physicist and successful young adult author the universe in your hand employs the immediacy of simple direct language to show us not explain to us the theories that underpin everything we

the universe in your hand a journey through space time - Mar 11 2023

web the universe in your hand a journey through space time and beyond galfard christophe amazon com tr kitap
the universe in your hand a journey through space time and - Jul 15 2023

web the universe in your hand takes us on a wonder filled journey to the surface of our dying sun shrinks us to the size of an atom and puts us in the deathly grip of distant black holes along the way you might come to understand really understand the mind bending science that underpins modern life from quantum mechanics to einstein s theory
the universe in your hand apple books - Feb 27 2022

web apr 19 2016 christophe galfard 4 6 15 ratings 12 99 publisher description if ms frizzle were a physics student of stephen hawking she might have written the universe in your hand a wild tour through the reaches of time and space from the interior of a proton to the big bang to the rough suburbs of a black hole

the universe in your hand a journey through space time and beyond - Jun 02 2022

web the universe in your hand takes us on a wonder filled journey to the surface of our dying sun shrinks us to the size of an atom and puts us in the deathly grip of distant black holes along the way you might come to understand really understand the mind bending science that underpins modern life from quantum mechanics to einstein s theory

the universe in your hand a journey through space tim - Aug 16 2023

web jun 3 2015 4 37 5 801 ratings 671 reviews if ms frizzle were a physics student of stephen hawking she might have written the universe in your hand a wild tour through the reaches of time and space from the interior of a proton to the big bang to the rough suburbs of a black hole it s friendly excitable erudite and cosmic

complete engine overhaul cylinder head full gasket set kit for - Sep 26 2022

web hino diesel engine ds50 head gasket find details and price about head gasket hino gasket from hino diesel engine ds50 head gasket ningbo bona auto parts

hino ds50 diesel engine wp publish com - Apr 21 2022

web diesel driven centrifugal pump engine type hino ds50horse power 180 220 hphead 30mflowrate 360m3 hrsize inlet 8 size outlet 6 dimension 9 4 l x 2 7 w x

hino diesel engine ds50 head gasket china head gasket and - Jun 23 2022

web jan 18 2023 4716899 hino ds50 diesel engine 2 15 downloaded from 206 189 230 158 on by guest action but soon becomes entangled in controversy and suspicion when ben

big diesel engine hino ds50 project youtube - Jun 04 2023

web engine code ds50 fuel diesel make hino 10 ltr parts code jn509 part engine part

more details hino ds50 engine for truck autoline - Apr 02 2023

web mar 12 2021 during the virtual 2021 ntea work truck show hino trucks announced their intent to produce medium and

heavy duty hino trucks with cummins engines for
[hino ds50 diesel engine assets ceu social](#) - Feb 17 2022

web hino ds50 diesel engine downloaded from store spiralny com by guest hull trevon the abraham holman family of ross county ohio crc press this book examines the

1nd tv engine fredwhite - Oct 28 2022

web for four decades hino motors ltd has proudly manufactured the number one selling medium and heavy duty truck in japan it also manufactures buses and diesel engines

ds50 hino 10 ltr engine part data for rebuilders and - May 03 2023

web jul 8 2010 hino ds50 industrial engine workshop manuals s6 264e 01 0100 industrial engine forward eng s6 264e 01 0200 industrial engine introduction eng

hino ds50 used diesel engine piledrivershop - Oct 08 2023

web looking for an used hino ds50 diesel engine at piledrivershop we have an used hino ds50 diesel engine for sale send us a request for more info

hino ds50 diesel engine 206 189 230 158 - Mar 21 2022

web hino ds50 diesel engine 3 3 the brides of industrious settlers in a foreign land the company will pay the cost of the lady s dowry and travel returns not permitted orphans

hino engine manuals parts catalogs - Aug 06 2023

web hino h06c ta ds50 eh700 eh700t h07c diesel engine assembly hino h07cx h07ct h07d j08c eb100 engine fuel pump injector find complete details about hino h06c ta

hino h06c ta ds50 eh700 eh700t h07c diesel engine assembly - Jul 05 2023

web i got this massive diesel engine and this is the process of trying to make it run what do you think i should do with it

diesel driven centrifugal pump hino ds50 ptet - Jan 19 2022

hino ds50 diesel engine store spiralny com - Nov 16 2021

hino ds50 diesel engine store1 shops widebot net - Dec 18 2021

[hino engine manuals parts catalogs hino parts catalog](#) - Nov 28 2022

web oct 27 2023 management hino motors announces strategy of hino towards carbon neutrality oct 27 2023 ir financial results for the second quarter of the fiscal year

hino th series wikipedia - Sep 07 2023

the th10 had a 4 800 mm 190 in wheelbase and a 110 ps 81 kw ds10 diesel inline six around the time of introduction the bh10 bus was introduced with the same chassis and nose in 1954 the th11 appeared followed by the 125 ps th12 in 1955 this engine was called the ds12 in 1956 the th13 arrived in 1960 power went up to 155 ps for the th16 by june 1961 the truc

hino motors wikipedia - Dec 30 2022

web complete engine overhaul cylinder head full gasket set kit for hino ds50 diesel engine spare parts 11115 1580 04010 0018 fob reference price get latest price

hino trucks and cummins announce medium and heavy - Jan 31 2023

web the 1nd tv 1 4 d 4d is a compact inline four cylinder turbocharged diesel engine used in various markets including jdm indian and european markets it was introduced into

who makes hino diesel engines utilitysmarts - May 23 2022

web hino ds50 diesel engine the enigmatic realm of hino ds50 diesel engine unleashing the language is inner magic in a fast paced digital era where connections and

hino motors - Aug 26 2022

web hino engines rank highest in customer satisfaction for a fifth consecutive year with a score of 801 and performs particularly well in control module ease of access for service or

hino motors manufacturing u s a home hnmusa - Jul 25 2022

web hino ds50 diesel engine book review unveiling the magic of language in an electronic era where connections and knowledge reign supreme the enchanting power of language

[hino engine ds50 industrial workshop manual](#) - Mar 01 2023

web hino ds series diesel engine 198081 ds50 hino ds50 industrial engine workshop repair manual additional information with service and repair 198082 ds70 hino

2013 suzuki df90a outboard service manual pdf download - Mar 30 2022

web this manual contains maintenance and repair procedure for the 2001 2009 suzuki df90 df100 df115 df140 outboard with this manual you may maintain service

[manual suzuki df90a outboard motor manuals manuell](#) - Aug 03 2022

web lubricate every 50 hours 3 months grease 99000 25161 suzuki water resistant grease 250 g i9j011020034 04 1 page 29 maintenance and tune up 0b 3 service

[df90a outboard suzuki marine](#) - Oct 25 2021

[2001 2009 suzuki df90 df100 df115 df140 outboard](#) - Jan 28 2022

web fully bookmarked and searchable digital download suzuki marine df70a df80a df90a outboard service manual all of our manuals come as easy to use pdf file our

2009 suzuki outboard df90 df100 df115 df140 service - Jul 02 2022

web nicians that are trained to provide your outboard motor with the best possible service with the right tools and equipment all information in this manual is based on the latest

suzuki outboard motor i df90a 4 stroke i suzuki marine - Feb 26 2022

web this 2005 suzuki outboard df90 4 stroke 90hp motor service manual download describes the service procedures for the complete motor follow the suzuki engine

[download 2005 suzuki df90 df 90hp outboard service](#) - Dec 27 2021

web service maintenance outboard manuals suzuki finance reinventing the revolution df90a outboard discover more request a callback class leading power to

[2014 suzuki df90a outboard service manual pdf download](#) - Oct 05 2022

web need a manual for your suzuki df90a outboard motor below you can view and download the pdf manual for free there are also frequently asked questions a product

2012 suzuki df90a 4 stroke outboard factory service work - Nov 06 2022

web suzuki df90 df100 df115 df140 outboard service repair manual this is service manual for suzuki outboard motors complete service repair manual

suzuki df90 df100 df115 df140 service repair manual - Sep 04 2022

web nov 27 2019 foreword this manual contains an introductory description on suzuki outboard motor df90 115 140 and procedures for the inspection service and overhaul

[suzuki df 90 manuals manualslib](#) - Apr 11 2023

web view the manual for the suzuki df90a here for free this manual comes under the category outboard motors and has been rated by 1 people with an average of a 6 6 this

[suzuki df70a df80a df90a service manual manualzz](#) - May 12 2023

web the set up manual a critical step in the set up and pre delivery process of every outboard motor is to attach the hang tags to the outboard motor hang tags are required to

[outboard manuals suzuki service repair manuals free](#) - Jun 13 2023

web we have 2 suzuki df 90 manuals available for free pdf download service manual product information suzuki df 90 service manual 616 pages brand suzuki

[suzuki marine df70a df80a df90a outboard 4 stroke service](#) - Nov 25 2021

web books are as follows outboard motor service manual volume 1 outboard motor service manual volume 2 old outboard motor service manual volume 1 old outboard motor

suzuki df90a manuals manualslib - Aug 15 2023

web manuals and user guides for suzuki df90a we have 5 suzuki df90a manuals available for free pdf download service manual owner s manual setup manual

[suzuki df70a outboard motor service manual](#) - Jun 01 2022

web 2013 suzuki df90a 4 cylinder 4 stroke outboard motor 582 pages are in pdf format 38 6 mb in pdf format for easy downloads your instant download price is only 5 95

df70a 80a 90a suzuki - Mar 10 2023

web manuals and user guides for suzuki df90a we found 5 manuals for free downloads owner s manual service manual user manual suzuki df70a df80a df90a

suzuki df90a owner s manual service manual user manual - Jan 08 2023

web you will then receive a reply with a link to visit to the manual for your 2012 suzuki df90a 4 stroke outboard this manual will show you every nut and bolt on your machine with

[user manual suzuki df90a english 77 pages](#) - Feb 09 2023

web this pdf service manual contains necessary instructions for repairs your 2009 2010 suzuki df70a df80a or df90a outboard may require from top to bottom this is the

[suzuki outboard df70 90a owner s manual](#) - Apr 30 2022

web the df90a hosts digital sequential electronic fuel injection meaning it reads the electronic control unit monitors throttle setting engine rpm cylinder wall and air intake

suzuki df90a outboard service manual harvard university - Sep 23 2021

[2009 2010 suzuki df70a df80a df90a outboard service manual](#) - Dec 07 2022

web 2014 suzuki df90a 4 cylinder 4 stroke outboard motor 582 pages are in pdf format 38 6 mb in pdf format for easy downloads your instant download price is only 5 95

[suzuki df 90 service manual pdf download](#) - Jul 14 2023

web this service manual is intended for authorized suzuki outboard motor dealers and qualified service technicians only apprentice mechanics or do it yourself mechanics that