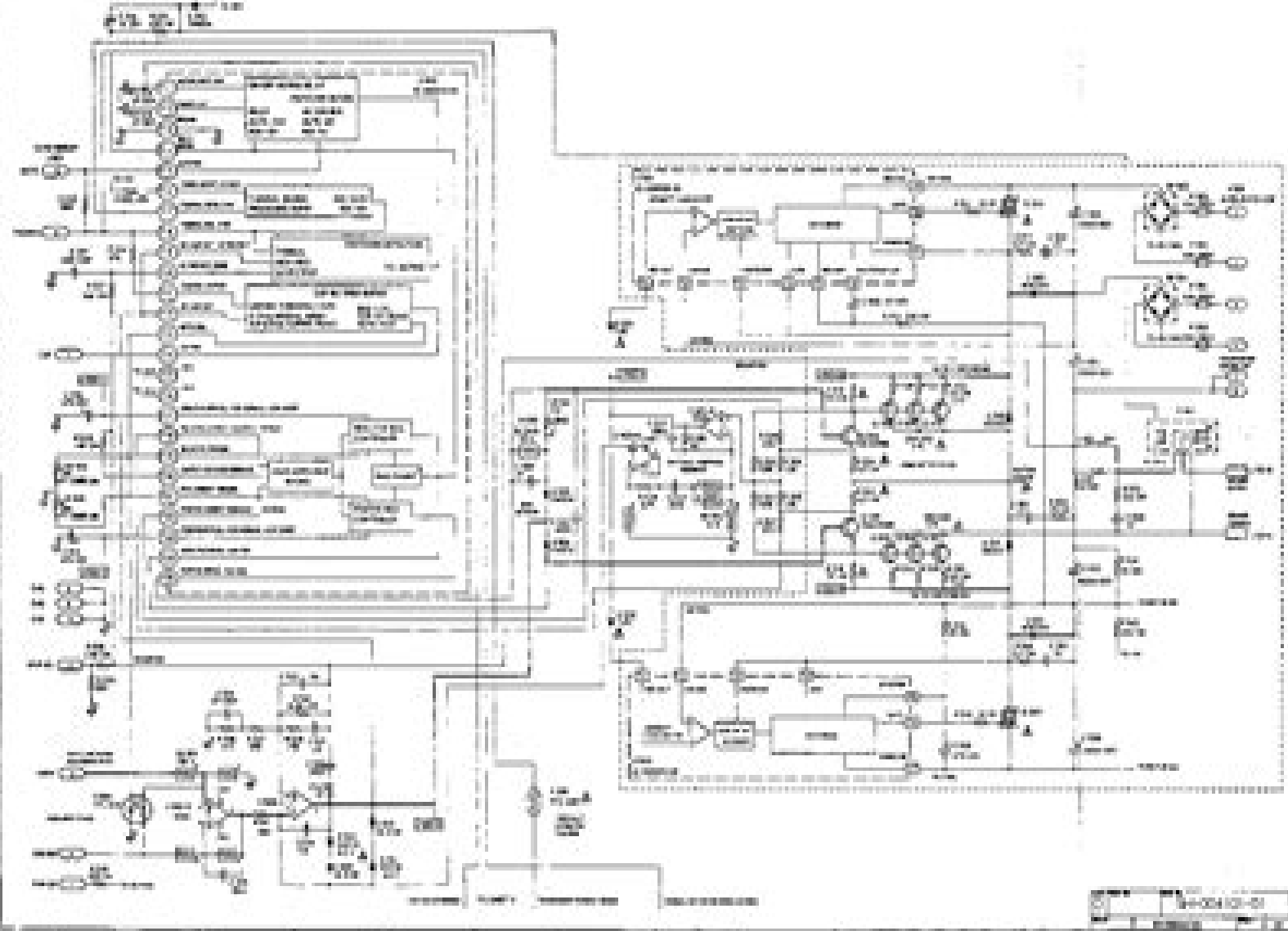


SYMBOLIC AND WIRING DIAGRAM



SYMBOLIC AND WIRING DIAGRAM

Mpa 400 Jbl Service Manual

Thomas Griffiths



Mpa 400 Jbl Service Manual:

As recognized, adventure as skillfully as experience roughly lesson, amusement, as with ease as union can be gotten by just checking out a ebook **Mpa 400 Jbl Service Manual** in addition to it is not directly done, you could recognize even more just about this life, around the world.

We give you this proper as competently as easy habit to acquire those all. We manage to pay for Mpa 400 Jbl Service Manual and numerous book collections from fictions to scientific research in any way. in the middle of them is this Mpa 400 Jbl Service Manual that can be your partner.

https://staging.conocer.cide.edu/book/uploaded-files/Documents/Land_In_Bloom.pdf

Table of Contents Mpa 400 Jbl Service Manual

1. Understanding the eBook Mpa 400 Jbl Service Manual
 - The Rise of Digital Reading Mpa 400 Jbl Service Manual
 - Advantages of eBooks Over Traditional Books
2. Identifying Mpa 400 Jbl Service Manual
 - Exploring Different Genres
 - Considering Fiction vs. Non-Fiction
 - Determining Your Reading Goals
3. Choosing the Right eBook Platform
 - Popular eBook Platforms
 - Features to Look for in an Mpa 400 Jbl Service Manual
 - User-Friendly Interface
4. Exploring eBook Recommendations from Mpa 400 Jbl Service Manual
 - Personalized Recommendations
 - Mpa 400 Jbl Service Manual User Reviews and Ratings
 - Mpa 400 Jbl Service Manual and Bestseller Lists
5. Accessing Mpa 400 Jbl Service Manual Free and Paid eBooks

- Mpa 400 Jbl Service Manual Public Domain eBooks
 - Mpa 400 Jbl Service Manual eBook Subscription Services
 - Mpa 400 Jbl Service Manual Budget-Friendly Options
6. Navigating Mpa 400 Jbl Service Manual eBook Formats
 - ePub, PDF, MOBI, and More
 - Mpa 400 Jbl Service Manual Compatibility with Devices
 - Mpa 400 Jbl Service Manual Enhanced eBook Features
 7. Enhancing Your Reading Experience
 - Adjustable Fonts and Text Sizes of Mpa 400 Jbl Service Manual
 - Highlighting and Note-Taking Mpa 400 Jbl Service Manual
 - Interactive Elements Mpa 400 Jbl Service Manual
 8. Staying Engaged with Mpa 400 Jbl Service Manual
 - Joining Online Reading Communities
 - Participating in Virtual Book Clubs
 - Following Authors and Publishers Mpa 400 Jbl Service Manual
 9. Balancing eBooks and Physical Books Mpa 400 Jbl Service Manual
 - Benefits of a Digital Library
 - Creating a Diverse Reading Collection Mpa 400 Jbl Service Manual
 10. Overcoming Reading Challenges
 - Dealing with Digital Eye Strain
 - Minimizing Distractions
 - Managing Screen Time
 11. Cultivating a Reading Routine Mpa 400 Jbl Service Manual
 - Setting Reading Goals Mpa 400 Jbl Service Manual
 - Carving Out Dedicated Reading Time
 12. Sourcing Reliable Information of Mpa 400 Jbl Service Manual
 - Fact-Checking eBook Content of Mpa 400 Jbl Service Manual
 - Distinguishing Credible Sources
 13. Promoting Lifelong Learning
 - Utilizing eBooks for Skill Development

-
- Exploring Educational eBooks
14. Embracing eBook Trends
- Integration of Multimedia Elements
 - Interactive and Gamified eBooks

Mpa 400 Jbl Service Manual Introduction

Free PDF Books and Manuals for Download: Unlocking Knowledge at Your Fingertips In today's fast-paced digital age, obtaining valuable knowledge has become easier than ever. Thanks to the internet, a vast array of books and manuals are now available for free download in PDF format. Whether you are a student, professional, or simply an avid reader, this treasure trove of downloadable resources offers a wealth of information, conveniently accessible anytime, anywhere. The advent of online libraries and platforms dedicated to sharing knowledge has revolutionized the way we consume information. No longer confined to physical libraries or bookstores, readers can now access an extensive collection of digital books and manuals with just a few clicks. These resources, available in PDF, Microsoft Word, and PowerPoint formats, cater to a wide range of interests, including literature, technology, science, history, and much more. One notable platform where you can explore and download free Mpa 400 Jbl Service Manual PDF books and manuals is the internet's largest free library. Hosted online, this catalog compiles a vast assortment of documents, making it a veritable goldmine of knowledge. With its easy-to-use website interface and customizable PDF generator, this platform offers a user-friendly experience, allowing individuals to effortlessly navigate and access the information they seek. The availability of free PDF books and manuals on this platform demonstrates its commitment to democratizing education and empowering individuals with the tools needed to succeed in their chosen fields. It allows anyone, regardless of their background or financial limitations, to expand their horizons and gain insights from experts in various disciplines. One of the most significant advantages of downloading PDF books and manuals lies in their portability. Unlike physical copies, digital books can be stored and carried on a single device, such as a tablet or smartphone, saving valuable space and weight. This convenience makes it possible for readers to have their entire library at their fingertips, whether they are commuting, traveling, or simply enjoying a lazy afternoon at home. Additionally, digital files are easily searchable, enabling readers to locate specific information within seconds. With a few keystrokes, users can search for keywords, topics, or phrases, making research and finding relevant information a breeze. This efficiency saves time and effort, streamlining the learning process and allowing individuals to focus on extracting the information they need. Furthermore, the availability of free PDF books and manuals fosters a culture of continuous learning. By removing financial barriers, more people can access educational resources and pursue lifelong learning, contributing to personal growth and professional development. This democratization of knowledge promotes intellectual curiosity and empowers

individuals to become lifelong learners, promoting progress and innovation in various fields. It is worth noting that while accessing free Mpa 400 Jbl Service Manual PDF books and manuals is convenient and cost-effective, it is vital to respect copyright laws and intellectual property rights. Platforms offering free downloads often operate within legal boundaries, ensuring that the materials they provide are either in the public domain or authorized for distribution. By adhering to copyright laws, users can enjoy the benefits of free access to knowledge while supporting the authors and publishers who make these resources available. In conclusion, the availability of Mpa 400 Jbl Service Manual free PDF books and manuals for download has revolutionized the way we access and consume knowledge. With just a few clicks, individuals can explore a vast collection of resources across different disciplines, all free of charge. This accessibility empowers individuals to become lifelong learners, contributing to personal growth, professional development, and the advancement of society as a whole. So why not unlock a world of knowledge today? Start exploring the vast sea of free PDF books and manuals waiting to be discovered right at your fingertips.

FAQs About Mpa 400 Jbl Service Manual Books

How do I know which eBook platform is the best for me? Finding the best eBook platform depends on your reading preferences and device compatibility. Research different platforms, read user reviews, and explore their features before making a choice. Are free eBooks of good quality? Yes, many reputable platforms offer high-quality free eBooks, including classics and public domain works. However, make sure to verify the source to ensure the eBook credibility. Can I read eBooks without an eReader? Absolutely! Most eBook platforms offer webbased readers or mobile apps that allow you to read eBooks on your computer, tablet, or smartphone. How do I avoid digital eye strain while reading eBooks? To prevent digital eye strain, take regular breaks, adjust the font size and background color, and ensure proper lighting while reading eBooks. What the advantage of interactive eBooks? Interactive eBooks incorporate multimedia elements, quizzes, and activities, enhancing the reader engagement and providing a more immersive learning experience. Mpa 400 Jbl Service Manual is one of the best book in our library for free trial. We provide copy of Mpa 400 Jbl Service Manual in digital format, so the resources that you find are reliable. There are also many Ebooks of related with Mpa 400 Jbl Service Manual. Where to download Mpa 400 Jbl Service Manual online for free? Are you looking for Mpa 400 Jbl Service Manual PDF? This is definitely going to save you time and cash in something you should think about. If you trying to find then search around for online. Without a doubt there are numerous these available and many of them have the freedom. However without doubt you receive whatever you purchase. An alternate way to get ideas is always to check another Mpa 400 Jbl Service Manual. This method for see exactly what may be included and adopt these ideas to your book. This site will almost certainly help you save

time and effort, money and stress. If you are looking for free books then you really should consider finding to assist you try this. Several of Mpa 400 Jbl Service Manual are for sale to free while some are payable. If you arent sure if the books you would like to download works with for usage along with your computer, it is possible to download free trials. The free guides make it easy for someone to free access online library for download books to your device. You can get free download on free trial for lots of books categories. Our library is the biggest of these that have literally hundreds of thousands of different products categories represented. You will also see that there are specific sites catered to different product types or categories, brands or niches related with Mpa 400 Jbl Service Manual. So depending on what exactly you are searching, you will be able to choose e books to suit your own need. Need to access completely for Campbell Biology Seventh Edition book? Access Ebook without any digging. And by having access to our ebook online or by storing it on your computer, you have convenient answers with Mpa 400 Jbl Service Manual To get started finding Mpa 400 Jbl Service Manual, you are right to find our website which has a comprehensive collection of books online. Our library is the biggest of these that have literally hundreds of thousands of different products represented. You will also see that there are specific sites catered to different categories or niches related with Mpa 400 Jbl Service Manual So depending on what exactly you are searching, you will be able to choose ebook to suit your own need. Thank you for reading Mpa 400 Jbl Service Manual. Maybe you have knowledge that, people have search numerous times for their favorite readings like this Mpa 400 Jbl Service Manual, but end up in harmful downloads. Rather than reading a good book with a cup of coffee in the afternoon, instead they juggled with some harmful bugs inside their laptop. Mpa 400 Jbl Service Manual is available in our book collection an online access to it is set as public so you can download it instantly. Our digital library spans in multiple locations, allowing you to get the most less latency time to download any of our books like this one. Merely said, Mpa 400 Jbl Service Manual is universally compatible with any devices to read.

Find Mpa 400 Jbl Service Manual :

land in bloom

[lady of the shroud](#)

[lady from lisbon](#)

lady chatterleys lover with his preface apropos of lady chatterleys lover his complete works

[lady blade lord fighter](#)

[land tenure in the ramesside period](#)

[ladies first army](#)

[land of the morning](#)

lamentation as history narratives by koreans in japan 1965-2000

lacan for beginners

lady as saint

lake district ordnance survey leisure guide

ladybugs life

laiguille creuse bibliotha que rouge

~~land and labor in the greek world.~~

Mpa 400 Jbl Service Manual :

turbocharge your writing today request pdf researchgate - May 22 2022

web oct 27 2023 turbocharge your writing career with ai this is the final call and your last chance to take advantage of your special deal where you ll save nearly 700 on our

turbocharge your writing 7 prompt driven improvements for today - Sep 25 2022

web turbocharge your writing online 2 may 2023 9 00am 24 july 2023 5 00pm please note that as this is a premium cdf course you will need to complete at least 75 of the

turbocharge your writing today ideas repec - Mar 20 2022

web oct 29 2021 of course this all means a fatter bottom line which makes you the most popular person in the room if you re ready to acquire near mystical powers of

turbocharge your writing today research flinders - Dec 29 2022

web this article will discuss seven ways to turbocharge your writing with the help of prompt exercises and ai prompt writing prompt writing a breeding ground for creativity

turbocharge your writing today nature - Oct 07 2023

web turbocharge your writing how to become a prolific academic writer authors maria gardiner hugh kearns edition 22 illustrated reprint publisher thinkwell 2010 isbn

50 resources and tools to turbocharge your copywriting skills - Dec 17 2021

turbocharge your writing office of postdoctoral affairs - Aug 25 2022

web jul 1 2011 an auto ethnographic approach is utilised by two doctoral candidates to discuss their experience of the influence of structured peer exchange in their capacity for

turbocharge your writing how to become a prolific academic writer - Jan 30 2023

web mar 30 2023 turbocharge your writing is the ultimate guide to help writers of all levels increase their writing speed and productivity whether you re a professional

turbocharge your writing how to become a prolific - Jul 04 2023

web turbocharging your writing 33 perfectionism situation you ve been working on a difficult part of your thesis for a couple of weeks you ve got a draft but it s not finished it s due

turbocharge your writing by joe vitale open library - Nov 15 2021

final hours turbocharge your writing career with ai - Feb 16 2022

web turbocharge your writing by joe vitale june 1989 awareness pubns edition paperback in english

turbocharge your writing by maria gardiner goodreads - May 02 2023

web reprint reissue date 2016 original date 2010 note cover title fourth reprinting 2016 isbn 9780646537382 0646537385 trade paper

writing skills graduate school career development framework - Jun 22 2022

web corrections all material on this site has been provided by the respective publishers and authors you can help correct errors and omissions when requesting a correction

bestcopyai suite tools - Jan 18 2022

writing productivity apps turbocharge your writing efficiency - Apr 20 2022

web turbocharge your writing with our ai powered tools bestcopy ai let ai create content for blogs articles websites social media and more start free trial

turbocharge your writing how to write faster and boost - Oct 27 2022

web this course will teach you how to maximise your writing output and how to overcome common obstacles that reduce your writing productivity by setting a goal and

2write - Aug 05 2023

web jan 1 2010 maria gardiner hugh kearns 4 38 13 ratings2 reviews if you want to be an academic or researcher you have to write and if you want to be a successful academic

masterclass turbocharge your writing - Jul 24 2022

web sep 29 2023 whether you re a seasoned writer or just starting your writing journey utilizing goal setting apps can revolutionize the way you approach your writing goals

turbocharge your writing charles darwin university - Jun 03 2023

web podcast from our researcher masterclass turbocharge your academic writing and increase your research output maria gardiner on common challenges and techniques to

turbocharge your writing google books - Sep 06 2023

web may 11 2022 in academia it is often assumed that writing comes naturally however an overwhelming body of research shows that there are very clear and practical strategies

online workshop on turbocharging your writing run eu - Nov 27 2022

web in academia it is often assumed that writing comes naturally however an overwhelming body of research shows that there are very clear and practical strategies that can greatly

turbocharge your academic writing vitae website - Feb 28 2023

web mar 15 2023 turbocharge your writing 24 march 2023 10h00 12h00 cet this workshop will help you understand why it s hard to get started how we deliberately use

hugh kearns ithinkwell com curtin university - Apr 01 2023

web jul 7 2011 turbocharge your writing today maria gardiner hugh kearns research output contribution to journal article peer review 6 citations scopus overview

mark scheme results summer 2014 pearson qualifications - May 12 2023

web summer 2014 gce chemistry 6ch01 01 the core principles of chemistry edexcel and btec qualifications for further information please visit our website at edexcel com our website subject pages hold useful resources support material and live feeds from our subject advisors giving you access to a portal of information if you

edexcel gce chemistry unit 4 june 2014 question paper - Feb 09 2023

web jun 4 2014 edexcel gce chemistry unit 4 june 2014 question paper free download as pdf file pdf text file txt or read online for free edexcel gce chemistry a2 june 2014 qp unit 4 general principles of chemistry i rates equilibria and further organic chemistry including synoptic assessment paper reference 6ch04 01

mark scheme results june 2014 pearson qualifications - Apr 11 2023

web june 2014 international gce chemistry 6ch02 01r edexcel and btec qualifications edexcel and btec qualifications come from pearson the world s leading learning company we provide a wide range of qualifications including academic summer 2014 publications code us038315 all the material in this publication is copyright

[edexcel gcse chemistry past papers study mind](#) - Jan 28 2022

web edexcel gcse chemistry past papers cover a range of topics including atomic structure and the periodic table bonding structure and the properties of matter quantitative chemistry chemical changes energy changes and rates of reaction organic chemistry and the earth s atmosphere

[mark scheme results june 2014 pearson qualifications](#) - Jun 13 2023

web gce chemistry 6ch04 01r edexcel and btec qualifications edexcel and btec qualifications come from pearson the world's leading learning company we provide a wide range of qualifications including academic vocational occupational and specific programmes for employers for further information please visit our website at

edexcel gcse chemistry exam papers access tuition - Dec 27 2021

web chemistry paper 1 june 2014 foundation mark scheme chemistry paper 1 june 2013 foundation mark scheme chemistry paper 1 june 2012 foundation mark scheme chemistry paper 1 march 2013 foundation mark scheme chemistry paper 1 march 2012 foundation mark scheme chemistry paper 1 november 2013 foundation

edexcel gce chemistry unit 5 june 2014 question paper - Jan 08 2023

web jun 5 2014 edexcel gce chemistry unit 5 june 2014 question paper free download as pdf file pdf text file txt or read online for free edexcel gce chemistry a2 june 2014 qp unit 5 general principles of chemistry ii transition metals and organic nitrogen chemistry including synoptic assessment paper reference 6ch05 01

a level chemistry pearson qualifications - Nov 06 2022

web specification pearson edexcel level 3 advanced gce in chemistry 9ch0 first teaching from september 2015 first certification from 2017 issue 2 pearson edexcel level 3 advanced gce in chemistry 9ch0 specification first certification 2017 issue 2 edexcel btec and lcci qualifications

[past papers of home igcse chemistry 2014 january](#) - Feb 26 2022

web pearson edexcel past papers mark schemes and all examination materials are here on xtrapapers updated regularly

[edexcel chemistry past papers revision science](#) - Jul 14 2023

web you can download the papers and marking schemes by clicking on the links below november 2021 pearson edexcel gcse chemistry past exam papers 9 1 1ch0 november 2021 chemistry paper 1 1ch0 1f foundation download paper download marking scheme november 2021 chemistry paper 1 1ch0 1h higher download

[edexcel gce chemistry unit 5 june 2014 question paper r](#) - Dec 07 2022

web jun 5 2014 edexcel gce chemistry unit 5 june 2014 question paper r free download as pdf file pdf text file txt or read online for free edexcel gce chemistry a2 june 2014 qp unit 5 general principles of chemistry ii transition metals and organic nitrogen chemistry including synoptic assessment paper reference

edexcel gcse chemistry past papers save my exams - Sep 04 2022

web free chemistry revision notes on changing models of the atom designed by the teachers at save my exams for the edexcel gcse chemistry syllabus

[edexcel as and a level chemistry 2015 pearson qualifications](#) - Jul 02 2022

web information about the new edexcel as and a levels in chemistry 2015 for students and teachers including the draft specification and other key documents

as chemistry pearson qualifications - Aug 03 2022

web pearson edexcel level 3 advanced subsidiary gce in chemistry 8ch0 first teaching from september 2015 first certification from 2016 issue 1 3 paper 1 core inorganic and physical chemistry 5 4 paper 1 mark scheme 33 5 paper 2 core organic and physical chemistry 53 pearson edexcel level 3 gce

edexcel gce chemistry unit 4 june 2014 question paper r - Mar 10 2023

web jun 4 2014 edexcel gce chemistry unit 4 june 2014 question paper r free download as pdf file pdf text file txt or read online for free edexcel gce chemistry a2 june 2010 qp r unit 4 general principles of chemistry i rates equilibria and further organic chemistry including synoptic assessment paper reference 6ch04 01r

pearson edexcel international gcse chemistry piacademy - Apr 30 2022

web paper reference turn over p43530a 2014 pearson education ltd 1 1 1 p43530a0136 chemistry unit 4ch0 science double award 4sc0 paper 1cr tuesday 13 may 2014 morning time 2 hours 4ch0 1cr 4sc0 1cr you must have ruler calculator instructions tt use black ink or ball point pen fill in the boxes at the top of this page with your name

mark scheme results summer 2014 piacademy - Oct 05 2022

web summer 2014 pearson edexcel gcse in chemistry 5ch1f paper 01 edexcel and btec qualifications edexcel and btec qualifications come from pearson the world's leading learning damp blue litmus paper 1 reddens then bleaches 1 ignore red litmus damp universal indicator ph paper white ignore colourless 2 question

past papers o levels chemistry 5070 2014 gce guide - Jun 01 2022

web aug 13 2023 past papers of o levels chemistry 5070 2014 13 08 2023 new as a level latest papers added if any paper is still missing please report using the contact us tab click the image to view

gcse 9 1 chemistry pearson qualifications - Mar 30 2022

web 1 introduction why choose edexcel gcse in chemistry supporting success in science science matters that's why we've built the most inclusive gcse 9 1 courses so every student can enjoy science and succeed in their studies

past papers past exam papers pearson qualifications - Aug 15 2023

web our easy to use past paper search gives you instant access to a large library of past exam papers and mark schemes they're available free to teachers and students although only teachers can access the most recent papers sat within the past 12 months what past papers are available when and to whom labelling of october november 2020 past

japan für die hosentasche orell füssli - Dec 27 2021

web japan für die hosentasche bewertung aus bad durrenberg am 05 11 2018 bewertet buch taschenbuch das buch ist sehr

interessant und informativ da es sowohl über das tägliche leben in japan berichtet als auch über die dinge des landes die für den ausländer beonders interessant sind ich kann es als reiseliteratur sehr empfehlen

japan reiseführer 2023 meine 10 empfehlungen im vergleich - Apr 11 2023

web dec 29 2019 japan reiseführer 2023 meine 10 empfehlungen im vergleich japan ist ein spannendes reiseziel und deinen urlaub in das asiatische land solltest du im voraus gut planen neben den unzähligen japan blog artikeln die du im internet findest lohnt sich auch der kauf eines guten japan reiseführers denn diesen kannst du praktisch überall

japan für die hosentasche was reisefuhrer verschw askstage - Jan 28 2022

web we meet the expense of japan für die hosentasche was reisefuhrer verschw and numerous book collections from fictions to scientific research in any way in the midst of them is this japan für die hosentasche was reisefuhrer verschw that

japan für die hosentasche was reiseführer verschweigen - Mar 10 2023

web aug 25 2016 kuriose geschichten und unterhaltsame hintergründe über das land der aufgehenden sonne die ostasienwissenschaftlerin und journalistin françoise hauser japan für die hosentasche was reiseführer verschweigen von francoise hauser bei lovelybooks sachbuch

japan für die hosentasche was reiseführer verschweigen - Jan 08 2023

web japan für die hosentasche was reiseführer verschweigen bücher gebraucht antiquarisch neu kaufen preisvergleich käuferschutz wir bücher

japan für die hosentasche was reisefuhrer verschw - Feb 26 2022

web japan für die hosentasche was reisefuhrer verschw when somebody should go to the ebook stores search start by shop shelf by shelf it is in point of fact problematic in the past currently we extend the belong to to buy and create bargains to download and install japan für die hosentasche was reisefuhrer verschw consequently simple hope

japan für die hosentasche was reiseführer verschweigen - Dec 07 2022

web japan für die hosentasche was reiseführer verschweigen bücher gebraucht antiquarisch neu kaufen preisvergleich käuferschutz wir bücher

japan für die hosentasche was reiseführer versch buch - Aug 03 2022

web japan für die hosentasche was reiseführer versch buch zustand akzeptabel eur 9 12 zu verkaufen japan für die hosentasche was reiseführer verschweigen von hauser francoise buch 374579563660

japan für die hosentasche was reiseführer verschweigen - Sep 04 2022

web 325 seiten 15 cm 157 g access restricted item true addeddate 2022 01 01 14 42 51 boxid ia40219621 camera

japan für die hosentasche von francoise hauser ebooks orell - Mar 30 2022

web jetzt online bestellen heimlieferung oder in filiale japan für die hosentasche was reiseführer verschweigen von francoise

hauser orell füssli der buchhändler ihres vertrauens

japan für die hosentasche taschenbuch eurobuch - Jul 02 2022

web japan für die hosentasche was reiseführer verschweigen fischer taschenbibliothek finden sie alle bücher von hauser francoise bei der büchersuchmaschine eurobuch com können sie antiquarische und neubücher vergleichen und sofort zum bestpreis bestellen 9783596521036 wieneu ohne mängel als geschenk

japan für die hosentasche was reiseführer verschweigen - Aug 15 2023

web japan für die hosentasche was reiseführer verschweigen fischer taschenbibliothek hauser francoise isbn 9783596521036 kostenloser versand für alle bücher mit versand und verkauf duch amazon

[japan für die hosentasche was reiseführer verschweigen](#) - Nov 06 2022

web japan für die hosentasche was reiseführer verschweigen ebook written by francoise hauser read this book using google play books app on your pc android ios devices download for offline

francoise hauser japan für die hosentasche booklooker - Oct 05 2022

web francoise hauser japan für die hosentasche was reiseführer verschweigen bücher gebraucht antiquarisch neu kaufen preisvergleich käuferschutz wir bücher

japan für die hosentasche was reiseführer verschweigen - Jul 14 2023

web sep 1 2016 japan für die hosentasche was reiseführer verschweigen hauser francoise on amazon com free shipping on qualifying offers japan für die hosentasche was reiseführer verschweigen

[japan für die hosentasche was reiseführer verschweigen](#) - May 12 2023

web rentaro und enju werden zusammen mit den besten wachleuten des landes ins regierungsgebäude bestellt ihr auftrag den entflohenen gastrea zu töten und das erbe des siebengestirns das die kraft hat den gesamten tokyo bezirk zu zerstören zurückzuholen das will sich nämlich die maske höchstpersönlich schnappen

japan für die hosentasche was reiseführer verschweigen - Apr 30 2022

web japan für die hosentasche was reiseführer verschweigen fischer taschenbibliothek german edition ebook hauser francoise amazon es tienda kindle

[japan für die hosentasche was reiseführer verschweigen](#) - Feb 09 2023

web die ostasienwissenschaftlerin und journalistin françoise hauser hat in ihrem kleinen reiseführer für die hosentasche hunderte von ebenso nützlichen wie

japan für die hosentasche was reiseführer verschweigen - Jun 13 2023

web japan für die hosentasche was reiseführer verschweigen hauser francoise amazon com tr

[japan für die hosentasche was reiseführer versch buch](#) - Jun 01 2022

web japan für die hosentasche was reiseführer versch buch zustand akzeptabel 1 von 1 kostenloser versand siehe mehr siehe details auf ebay erhältlich bei japan für die hosentasche was reiseführer versch buch zustand