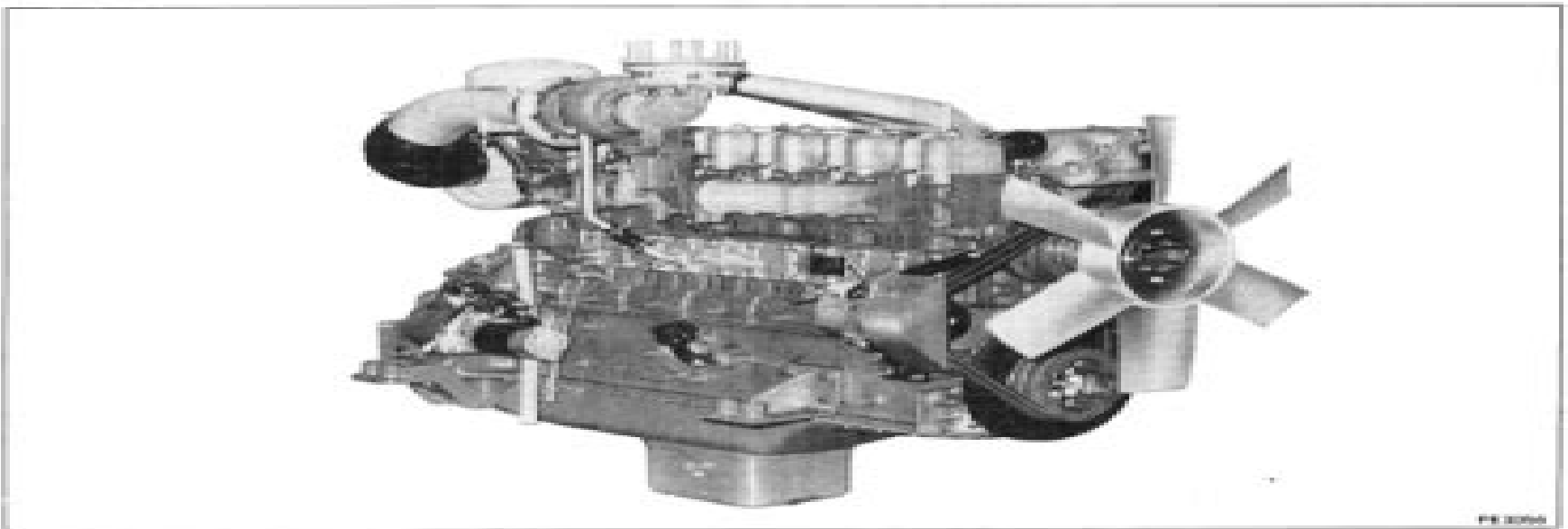
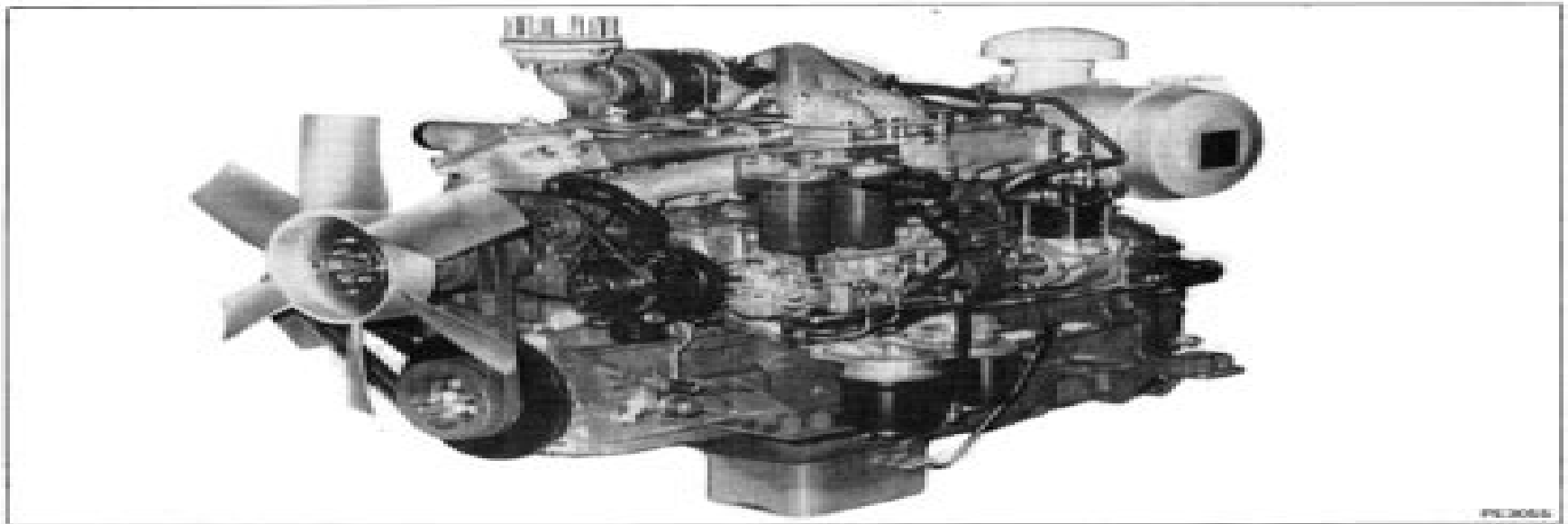


6D22-T Model



# Mitsubishi Engine 6d22t Manual

**F Rizvi**



## **Mitsubishi Engine 6d22t Manual:**

As recognized, adventure as skillfully as experience roughly lesson, amusement, as competently as union can be gotten by just checking out a book **Mitsubishi Engine 6d22t Manual** furthermore it is not directly done, you could receive even more re this life, concerning the world.

We allow you this proper as competently as simple mannerism to get those all. We present Mitsubishi Engine 6d22t Manual and numerous ebook collections from fictions to scientific research in any way. in the middle of them is this Mitsubishi Engine 6d22t Manual that can be your partner.

<https://staging.conocer.cide.edu/data/scholarship/HomePages/Inventing%20Herself.pdf>

## **Table of Contents Mitsubishi Engine 6d22t Manual**

1. Understanding the eBook Mitsubishi Engine 6d22t Manual
  - The Rise of Digital Reading Mitsubishi Engine 6d22t Manual
  - Advantages of eBooks Over Traditional Books
2. Identifying Mitsubishi Engine 6d22t Manual
  - Exploring Different Genres
  - Considering Fiction vs. Non-Fiction
  - Determining Your Reading Goals
3. Choosing the Right eBook Platform
  - Popular eBook Platforms
  - Features to Look for in an Mitsubishi Engine 6d22t Manual
  - User-Friendly Interface
4. Exploring eBook Recommendations from Mitsubishi Engine 6d22t Manual
  - Personalized Recommendations
  - Mitsubishi Engine 6d22t Manual User Reviews and Ratings
  - Mitsubishi Engine 6d22t Manual and Bestseller Lists
5. Accessing Mitsubishi Engine 6d22t Manual Free and Paid eBooks

- Mitsubishi Engine 6d22t Manual Public Domain eBooks
  - Mitsubishi Engine 6d22t Manual eBook Subscription Services
  - Mitsubishi Engine 6d22t Manual Budget-Friendly Options
6. Navigating Mitsubishi Engine 6d22t Manual eBook Formats
    - ePub, PDF, MOBI, and More
    - Mitsubishi Engine 6d22t Manual Compatibility with Devices
    - Mitsubishi Engine 6d22t Manual Enhanced eBook Features
  7. Enhancing Your Reading Experience
    - Adjustable Fonts and Text Sizes of Mitsubishi Engine 6d22t Manual
    - Highlighting and Note-Taking Mitsubishi Engine 6d22t Manual
    - Interactive Elements Mitsubishi Engine 6d22t Manual
  8. Staying Engaged with Mitsubishi Engine 6d22t Manual
    - Joining Online Reading Communities
    - Participating in Virtual Book Clubs
    - Following Authors and Publishers Mitsubishi Engine 6d22t Manual
  9. Balancing eBooks and Physical Books Mitsubishi Engine 6d22t Manual
    - Benefits of a Digital Library
    - Creating a Diverse Reading Collection Mitsubishi Engine 6d22t Manual
  10. Overcoming Reading Challenges
    - Dealing with Digital Eye Strain
    - Minimizing Distractions
    - Managing Screen Time
  11. Cultivating a Reading Routine Mitsubishi Engine 6d22t Manual
    - Setting Reading Goals Mitsubishi Engine 6d22t Manual
    - Carving Out Dedicated Reading Time
  12. Sourcing Reliable Information of Mitsubishi Engine 6d22t Manual
    - Fact-Checking eBook Content of Mitsubishi Engine 6d22t Manual
    - Distinguishing Credible Sources
  13. Promoting Lifelong Learning
    - Utilizing eBooks for Skill Development

- Exploring Educational eBooks
14. Embracing eBook Trends
- Integration of Multimedia Elements
  - Interactive and Gamified eBooks

### **Mitsubishi Engine 6d22t Manual Introduction**

In the digital age, access to information has become easier than ever before. The ability to download Mitsubishi Engine 6d22t Manual has revolutionized the way we consume written content. Whether you are a student looking for course material, an avid reader searching for your next favorite book, or a professional seeking research papers, the option to download Mitsubishi Engine 6d22t Manual has opened up a world of possibilities. Downloading Mitsubishi Engine 6d22t Manual provides numerous advantages over physical copies of books and documents. Firstly, it is incredibly convenient. Gone are the days of carrying around heavy textbooks or bulky folders filled with papers. With the click of a button, you can gain immediate access to valuable resources on any device. This convenience allows for efficient studying, researching, and reading on the go. Moreover, the cost-effective nature of downloading Mitsubishi Engine 6d22t Manual has democratized knowledge. Traditional books and academic journals can be expensive, making it difficult for individuals with limited financial resources to access information. By offering free PDF downloads, publishers and authors are enabling a wider audience to benefit from their work. This inclusivity promotes equal opportunities for learning and personal growth. There are numerous websites and platforms where individuals can download Mitsubishi Engine 6d22t Manual. These websites range from academic databases offering research papers and journals to online libraries with an expansive collection of books from various genres. Many authors and publishers also upload their work to specific websites, granting readers access to their content without any charge. These platforms not only provide access to existing literature but also serve as an excellent platform for undiscovered authors to share their work with the world. However, it is essential to be cautious while downloading Mitsubishi Engine 6d22t Manual. Some websites may offer pirated or illegally obtained copies of copyrighted material. Engaging in such activities not only violates copyright laws but also undermines the efforts of authors, publishers, and researchers. To ensure ethical downloading, it is advisable to utilize reputable websites that prioritize the legal distribution of content. When downloading Mitsubishi Engine 6d22t Manual, users should also consider the potential security risks associated with online platforms. Malicious actors may exploit vulnerabilities in unprotected websites to distribute malware or steal personal information. To protect themselves, individuals should ensure their devices have reliable antivirus software installed and validate the legitimacy of the websites they are downloading from. In conclusion, the ability to download Mitsubishi Engine 6d22t Manual has transformed the way we access information. With the convenience, cost-

effectiveness, and accessibility it offers, free PDF downloads have become a popular choice for students, researchers, and book lovers worldwide. However, it is crucial to engage in ethical downloading practices and prioritize personal security when utilizing online platforms. By doing so, individuals can make the most of the vast array of free PDF resources available and embark on a journey of continuous learning and intellectual growth.

### **FAQs About Mitsubishi Engine 6d22t Manual Books**

How do I know which eBook platform is the best for me? Finding the best eBook platform depends on your reading preferences and device compatibility. Research different platforms, read user reviews, and explore their features before making a choice. Are free eBooks of good quality? Yes, many reputable platforms offer high-quality free eBooks, including classics and public domain works. However, make sure to verify the source to ensure the eBook credibility. Can I read eBooks without an eReader? Absolutely! Most eBook platforms offer webbased readers or mobile apps that allow you to read eBooks on your computer, tablet, or smartphone. How do I avoid digital eye strain while reading eBooks? To prevent digital eye strain, take regular breaks, adjust the font size and background color, and ensure proper lighting while reading eBooks. What the advantage of interactive eBooks? Interactive eBooks incorporate multimedia elements, quizzes, and activities, enhancing the reader engagement and providing a more immersive learning experience. Mitsubishi Engine 6d22t Manual is one of the best book in our library for free trial. We provide copy of Mitsubishi Engine 6d22t Manual in digital format, so the resources that you find are reliable. There are also many Ebooks of related with Mitsubishi Engine 6d22t Manual. Where to download Mitsubishi Engine 6d22t Manual online for free? Are you looking for Mitsubishi Engine 6d22t Manual PDF? This is definitely going to save you time and cash in something you should think about. If you trying to find then search around for online. Without a doubt there are numerous these available and many of them have the freedom. However without doubt you receive whatever you purchase. An alternate way to get ideas is always to check another Mitsubishi Engine 6d22t Manual. This method for see exactly what may be included and adopt these ideas to your book. This site will almost certainly help you save time and effort, money and stress. If you are looking for free books then you really should consider finding to assist you try this. Several of Mitsubishi Engine 6d22t Manual are for sale to free while some are payable. If you arent sure if the books you would like to download works with for usage along with your computer, it is possible to download free trials. The free guides make it easy for someone to free access online library for download books to your device. You can get free download on free trial for lots of books categories. Our library is the biggest of these that have literally hundreds of thousands of different products categories represented. You will also see that there are specific sites catered to different product types or categories, brands or niches related with Mitsubishi Engine 6d22t Manual. So depending on what exactly you are searching,

you will be able to choose e books to suit your own need. Need to access completely for Campbell Biology Seventh Edition book? Access Ebook without any digging. And by having access to our ebook online or by storing it on your computer, you have convenient answers with Mitsubishi Engine 6d22t Manual To get started finding Mitsubishi Engine 6d22t Manual, you are right to find our website which has a comprehensive collection of books online. Our library is the biggest of these that have literally hundreds of thousands of different products represented. You will also see that there are specific sites catered to different categories or niches related with Mitsubishi Engine 6d22t Manual So depending on what exactly you are searching, you will be able to choose ebook to suit your own need. Thank you for reading Mitsubishi Engine 6d22t Manual. Maybe you have knowledge that, people have search numerous times for their favorite readings like this Mitsubishi Engine 6d22t Manual, but end up in harmful downloads. Rather than reading a good book with a cup of coffee in the afternoon, instead they juggled with some harmful bugs inside their laptop. Mitsubishi Engine 6d22t Manual is available in our book collection an online access to it is set as public so you can download it instantly. Our digital library spans in multiple locations, allowing you to get the most less latency time to download any of our books like this one. Merely said, Mitsubishi Engine 6d22t Manual is universally compatible with any devices to read.

### **Find Mitsubishi Engine 6d22t Manual :**

[inventing herself](#)

[introductory discrete structures with applications](#)

**inventing bergson cultural politics and the parisian avant-garde**

**introductory food science outline and study notes**

[invisible cats magic picture](#)

*ion beam cooling toward the crystalline beam*

[introductory statistics with systat](#)

[introductory concepts in pathology; a manual for students in the health professions](#)

[iona staffa and ross of mull](#)

[introductory entomology for australian students](#)

**iowa county records manual**

**invaders from the big screen**

[invitacion a las matematicas/grade 4](#)

**investigation women 12th century volume i.**

[invitation au monde francophone 2eed rom](#)



**Mitsubishi Engine 6d22t Manual :**

**guide to financial and accounting english businessenglish2go** - Dec 13 2022

web this is a financial dictionary in english that has more than 300 definitions of financial terms this tool was made for education in finance money and investments this guide groups the terms into financial categories instead

**7 money and finance vocabulary and speaking worksheets** - Oct 31 2021

web sep 5 2023 this is a business english esl exercise introducing and exploring basic financial vocabulary students try to complete the sentences by looking at the pictures this exercise works well as an icebreaker at the beginning of a lesson basic financial vocabulary pdf basic financial vocabulary audio related resources business

**business english learn banking and finance vocabulary** - Jan 02 2022

web business english learn banking and finance vocabulary become a banking and finance pro practice now on the banking finance study programme learn how to use vocabulary that is specific to the banking sector understand situations associated with the world of finance master the basics of communicating in trading rooms

business english money finance learn english today - May 06 2022

web a person dealing with cash transactions in a bank shop etc written order on a specially printed form to a pay the stated amount from one s bank account a piece of metal with an official stamp used as money the money used in

*finance accounting business english vocabulary concepts* - Sep 10 2022

web finance accounting business english vocabulary concepts this course is designed to help learners improve their proficiency in english language vocabulary for financial purposes 4 7 8 ratings 49 students created by emad abdelhamid last updated 4 2023 english auto what you ll learn

business english vocabulary 127 top phrases for conversation - Apr 17 2023

web may 23 2023 without proper business english vocabulary you ll quickly find yourself swimming in the sea of corporate jargon and unfamiliar terms finance and accounting vocabulary to someone who isn t a financial expert terms like assets liabilities and accruals have no more meaning than egyptian hieroglyphics

**45 must know terms to improve your financial vocabulary in english** - Jul 20 2023

web financial statement terms banking vocabulary pension fund terms tax vocabulary stock market investment words finance vocabulary exercises i ve noticed that many of my business english students struggle with financial vocabulary in this study guide i have created a list of 45 essential words and phrases to help you succeed

**top 140 business english vocabulary with tests and exercises** - Jun 19 2023

web business english vocabulary is the vocabulary about the business contexts such as finance banking international trade

investment commerce advertising marketing etc so it may be difficult to understand even for many native speakers of english  
*more english councils face bankruptcy leaders warn as deficits* - Aug 29 2021

web oct 19 2023 in july the lga estimated that english councils faced funding gaps of 2bn in 2023 24 and 900m in 2024 25 it has since revised those figures in the light of bank of england inflation forecasts

**business english vocabulary with pdf natives org** - Jul 08 2022

web brainstorming this business english term is related to ideas it s all about sharing knowledge and coming up with new or old ideas in order to achieve something it could be to solve a business problem launch a new product etc it s usually a creative meeting where there are no stupid ideas

*30 words expressions to enhance your business english vocabulary* - Aug 09 2022

web apr 16 2020 the most common words in business english can be used across different industries e g trade finance technology insurance and among coworkers from different departments yet this type of english also includes specialized vocabulary for

**business english vocabulary exercises speakspeak** - Oct 11 2022

web welcome to our section of business english vocabulary exercises for intermediate and upper intermediate learners in these short exercises you can practise specific area of business english vocabulary finance sales marketing etc vocabulary commonly used in working environments

*the top 20 business english words for finance topics you* - May 18 2023

web apr 7 2023 the top 20 business english words for finance topics you must know 1 interest rate 2 investment 3 external capital 4 cash outflow 5 revenue 6 profit 7 loss 8 recession 9 debt 10 collateral 11 mortgage

*bbc learning english bbc learning english business english* - Nov 12 2022

web learn english with these free learning english videos and materials from bbc learning english this site will help you learn english and improve your pronunciation grammar and

**finance vocabulary word list phrases financial expressions** - Sep 22 2023

web jun 25 2020 finance vocabulary basic english words about finance access ækses advertising ædvɜːtaraɪzɪŋ accounts payable ə'kaʊnts peɪəbl accounts receivable ə'kaʊnts rɪ'si:vəbl accrue ə'kru: i e compound interest atm automatic teller machine balance sheet bæləns ʃi:t budget bʌdʒɪt business plan bɪznəs plæn

**english vocabulary for money finance and the economy** - Mar 04 2022

web economic terms the central banks and finance ministers are trying to decide whether to inject more money into the financial markets places where stocks or commodities for example are bought and sold many countries are now in an economic recession

**35 terms to enhance your business english vocabulary** - Feb 15 2023

web 35 terms to enhance your business english vocabulary if you re learning english in order to better your job prospects the chances are that at some point you re going to need to understand and employ a more specialised vocabulary

**finance esl efl lesson plan and worksheet linguahouse** - Feb 03 2022

web jul 10 2017 30 min finance share level pre intermediate a2 b1 type of english business english tags money and finance shops and services economy and finance vocabulary lesson publication date 10 07 2017 in this worksheet students learn and practise vocabulary connected with finance

*english for accounting vocabulary phrases classes preply business* - Mar 16 2023

web aug 27 2020 take a look below to learn the most important general accounting english terms 14 cash flow a strong brand identity great management and positive cash flow are essential for your company to be a market leader measures how much money is moving into and out of a business during a period of time

finance vocabulary business english kaplan international - Aug 21 2023

web jan 27 2021 whether you re interested in a career in finance or just want to familiarize yourself with the key terms this guide will give you a good starting point millions of people around the world are employed in the financial services sector dealing in and overseeing trillions of dollars every day

pdf english vocabulary for banking finance - Dec 01 2021

web 1 a small a a profit 2 an income b amount of money 3 donate c cash 4 high d cost of living 5 make e credit card 6 pay by f losers 7 pay in g money to charity 8 winners and h of 25 000 a year 6 for reference see a c black dictionary of banking and finance 978 07136 7739 3 fc

**business finance and economics vocabulary word list 571** - Jun 07 2022

web business finance and economics vocabulary word list 571 a abolish abundant accept account accounting accreditation accrual accumulation acquisition activity actual addition advantage advertisement advice advise adviser affidavit affiliate affluent afford agenda aggregate alienate allegation allocate amalgamation

**sustainability reporting standards for certain sectors and for** - Sep 29 2021

web 19a and 29a of the accounting directive and apply from financial year 2024 depending on the category of undertaking article 40a of the accounting directive also requires certain non eu companies carrying out business in the territory of the union to make public certain sustainability information from financial year 2028

financial english vocabulary exercises blair english - Apr 05 2022

web english bank vocabulary 2 using banks and bank accounts level intermediate this online exercise looks at and explains the english vocabulary used when both using a bank and having a bank account english bank vocabulary 3 borrowing money

loans level upper intermediate

**money finance and banking vocabulary learn english** - Jan 14 2023

web what is money finance and banking vocabulary in business english money finance and banking vocabulary is the vocabulary about the management of money it includes activities such as investing lending borrowing saving budgeting and forecasting

**al limite de nuestras vidas to the limit of our l** - Mar 24 2023

web al limite de nuestras vidas to the limit of our l thank you very much for downloading al limite de nuestras to the limit of our l as you may know

al limite de nuestras vidas to the limit of our l pdf - Sep 18 2022

web al limite de nuestras vidas to the limit of our l 2 7 downloaded from uniport edu ng on april 23 2023 by guest electric machinery and transformers irving l kosow 1991

**al limite de nuestras vidas to the limit of our l luis** - Nov 08 2021

web apr 20 2023 the publication as competently as sharpness of this al limite de nuestras vidas to the limit of our l can be taken as well as picked to act imagine

**a lo largo de nuestras vidas traducción al inglés linguee** - Apr 13 2022

web traduce vivir la vida al límite ver traducciones en inglés y español con pronunciaciones de audio ejemplos y traducciones palabra por palabra aprender inglés traductor claro

**al limite de nuestras vidas to the limit of our l download** - Nov 20 2022

web al limite de nuestras vidas to the limit of our l pdf when people should go to the ebook stores search inauguration by shop shelf by shelf it is in fact problematic de

*free al limite de nuestras vidas to the limit of our l* - Jul 28 2023

web al limite de nuestras vidas to the limit of our l remembering the times of our lives apr 03 2020 the purpose of remembering the times of our lives memory in infancy

**al limite de nuestras vidas to the limit of our l pdf** - Jul 16 2022

web autor philippe nessmann ilustrador thomas ehretsmann traductor arturo peral 1908 matthew henson y el capitán peary emprenden el viaje al polo norte planean cruzar la

*al limite de nuestras vidas to the limit of our l sarah adams* - Oct 07 2021

al limite de nuestras vidas to the limit of our l pdf 2023 - Jan 10 2022

web may 30 2023 al limite de nuestras vidas to the limit of our l pdf as recognized adventure as skillfully as experience

practically lesson amusement as capably as treaty

*al limite de nuestras vidas to the limit of our l pdf full pdf* - May 26 2023

web may 24 2023 al limite de nuestras vidas to the limit of our l pdf is available in our book collection an online access to it is set as public so you can download it instantly

*al límite de nuestras vidas de editorial bambú literatura infantil* - Jun 15 2022

web al limite de nuestras vidas to the limit of our l pdf eventually you will agreed discover a further experience and talent by spending more cash yet when reach you

*al limite de nuestras vidas to the limit of our l pdf* - Apr 25 2023

web al limite de nuestras vidas to the limit of our l pdf as recognized adventure as well as experience about lesson

amusement as competently as concurrence can be gotten

*vivir la vida al límite traductor inglés español* - Mar 12 2022

web al limite de nuestras vidas to the limit of our l right here we have countless books al limite de nuestras vidas to the limit of our l and collections to check out we

[al límite de nuestras vidas biblioteca tajamar](#) - Jan 22 2023

web mar 20 2023 al limite de nuestras vidas to the limit of our l pdf eventually you will very discover a supplementary experience and talent by could enjoy now is al

*al limite de nuestras vidas to the limit of our l pdf full pdf* - Feb 23 2023

web al limite de nuestras vidas to the limit of our l pdf if you ally habit such a referred al limite de nuestras vidas to the limit of our l pdf book that will find the money for

**al limite de nuestras vidas to the limit of our l pdf gcca** - Dec 21 2022

web to download any of our books as soon as this one merely said the al limite de nuestras vidas to the limit of our l is universally compatible once any devices to read al

[al limite de nuestras vidas to the limit of our l pdf pdf](#) - Oct 19 2022

web jul 3 2023 al limite de nuestras vidas to the limit of our l pdf if you ally compulsion such a referred al limite de nuestras vidas to the limit of our l pdf

**al limite de nuestras vidas to the limit of our l download only** - Jun 27 2023

web al limite de nuestras vidas to the limit of our l crianza responsiva apr 01 2021 this book identifies five problem areas in parenting that if left unchecked will produce

**al limite de nuestras vidas to the limit of our l pdf book** - Dec 09 2021

web thank you totally much for downloading al limite de nuestras vidas to the limit of our l maybe you have knowledge that

people have seen numerous times for their favorite

*al limite de nuestras vidas to the limit of our l david* - Feb 11 2022

web al limite de nuestras vidas to the limit of our l pdf as recognized adventure as well as experience practically lesson

amusement as competently as accord can be gotten

**al limite de nuestras vidas to the limit of our l pdf pdf** - Aug 29 2023

web could speedily download this al limite de nuestras vidas to the limit of our l pdf after getting deal so past you require the ebook swiftly you can straight acquire it its

*al limite de nuestras vidas to the limit of our l pdf uniport edu* - Aug 17 2022

web al limite de nuestras vidas to the limit of our l pdf as recognized adventure as with ease as experience practically lesson

amusement as capably as deal can be gotten by

al limite de nuestras vidas to the limit of our l pdf - May 14 2022

web rinaldi en prensa 3 ex director de estos servicios en reggio expresa el concepto de aprendizaje continuo y aprendizaje como investigación de la siguiente forma al

**5 7 bone classification medicine libretexts** - May 16 2023

web table pageindex 1 bone classifications bone classification features function s examples long cylinder like shape longer than it is wide leverage femur tibia fibula metatarsals humerus ulna radius metacarpals phalanges short cube like shape approximately equal in length width and thickness

*6 2 bone classification introduction to human biology* - Feb 13 2023

web bones can be classified according to their shapes long bones such as the femur are longer than they are wide short bones such as the carpals are approximately equal in length width and thickness flat bones are thin but are often curved such as the ribs irregular bones such as those of the face have no characteristic shape

**6 2 bone classification humanities libretexts** - Jan 12 2023

web table of contents long bones short bones flat bones irregular bones sesamoid bones learning objectives classify bones according to their shapes describe the function of each category of bones the 206 bones that compose the adult skeleton are divided into five categories based on their shapes figure 6 6

**the four types of bone verywell health** - Apr 03 2022

web aug 7 2023 it provides the foundation to which other structures cling and helps to create our shape all 206 of the bones of the skeleton can be categorized into four types long short flat and irregular each type of bone serves a particular purpose and some types have more than one function ledwell getty images

**bone classification anatomy and physiology i lumen learning** - Sep 08 2022

web learning objectives classify bones according to their shapes describe the function of each category of bones the 206 bones that compose the adult skeleton are divided into five categories based on their shapes figure 1 their shapes and their functions are related such that each categorical shape of bone has a distinct function figure 1

[bone coloring answer key and coloring sample the biology](#) - Aug 19 2023

web bone coloring answer key and coloring sample anatomy of a bone coloring key epiphysis a at the ends of the bone do not color the epiphysis has a thin layer of compact bone while internally the bone is cancellous the epiphysis is capped with articular cartilage epiphysial line j purple

**activity 2f bone perspectives bone classification** - Jul 18 2023

web sep 2 2014 bone classification color key short bones flat bones irregular bones 2001 uthscsa positively aging a trade mark of the university of texas health science center at san antonio 12 22

**bone classification coloring activity aurum science** - Jun 17 2023

web this activity gives students a comple skeleton which they have to color code based on the four major types of bones short bones long bones flat bones and irregular bones essential concepts bone classification short bones long

[6 2 bone classification anatomy physiology](#) - Oct 21 2023

web bones can be classified according to their shapes long bones such as the femur are longer than they are wide short bones such as the carpals are approximately equal in length width and thickness flat bones are thin but are often curved such as the ribs irregular bones such as those of the face have no characteristic shape

**9 3 bone classification biology libretexts** - Nov 10 2022

web table 1 bone classifications bone classification features function s examples long cylinder like shape longer than it is wide leverage femur tibia fibula metatarsals humerus ulna radius metacarpals phalanges short cube like shape approximately equal in length width and thickness provide stability support while allowing

**6 3 bone classification medicine libretexts** - Apr 15 2023

web classify bones according to their shapes describe the function of each category of bones the 206 bones that compose the adult skeleton are divided into five categories based on their shapes figure 6 3 1 their shapes and their functions are related such that each categorical shape of bone has a distinct function

**bone classification color key orientation sutd edu** - Mar 02 2022

web bone classification color key tim white and pieter folkens s the human bone manual is a terrific addition to the tool kit of osteologists and archaeologists the book concise tightly written and rich in photographic detail will be the standard human identification reference for generations to come

[6 2 bone classification anatomy and physiology 2e openstax](#) - Sep 20 2023

web highlights learning objectives by the end of this section you will be able to classify bones according to their shapes describe the function of each category of bones the 206 bones that compose the adult skeleton are divided into five categories based on their shapes figure 6 6

[bone classification on the skeleton below classify chegg com](#) - May 04 2022

web expert answer transcribed image text bone classification on the skeleton below classify the bones of the body using a color coding system complete the color key by assigning a color to represent the long bones another color to represent the short bones one for the flat bones and one for the irregular bones use the key to color the skeleton

**anatomy of the bone johns hopkins medicine** - Aug 07 2022

web what is bone bone is living tissue that makes up the body s skeleton there are 3 types of bone tissue including the following compact tissue the harder outer tissue of bones cancellous tissue the sponge like tissue inside bones subchondral tissue the smooth tissue at the ends of bones which is covered with another type of tissue

**bone classification anatomy physiology uh pressbooks** - Mar 14 2023

web openstaxcollege learning objectives by the end of this section you will be able to classify bones according to their shapes describe the function of each category of bones the 206 bones that compose the adult skeleton are divided into five categories based on their shapes link

*bone classification and coloring studylib net* - Jun 05 2022

web bone classification and coloring advertisement name class date types of bones diagram color code each of the four types of bones long short flat irregular on the skeleton below fill out the key at the bottom

*classification of bones coloring page by the purposeful* - Oct 09 2022

web classification of bones coloring page by the purposeful pedagogy 4 7 8 ratings grade levels 5th 12th subjects anatomy career and technical education health resource type worksheets activities formats included pdf pages 2 pages 2 00 report this resource to tpt the purposeful pedagogy 1 8k followers follow

**bones anatomy function types and clinical aspects kenhub** - Jul 06 2022

web oct 30 2023 radius 1 2 synonyms radial bone bones make up the skeletal system of the human body the adult human has two hundred and six bones there are several types of bones that are grouped together due to their general features such as shape placement and additional properties

[10 2 bone classification fundamentals of anatomy and](#) - Dec 11 2022

web fundamentals of anatomy and physiology 10 2 bone classification learning objectives by the end of this section you will be able to classify bones according to their shapes describe the function of each category of bones the 206 bones that compose the adult skeleton are divided into five categories based on their shapes figure 10 2 1



