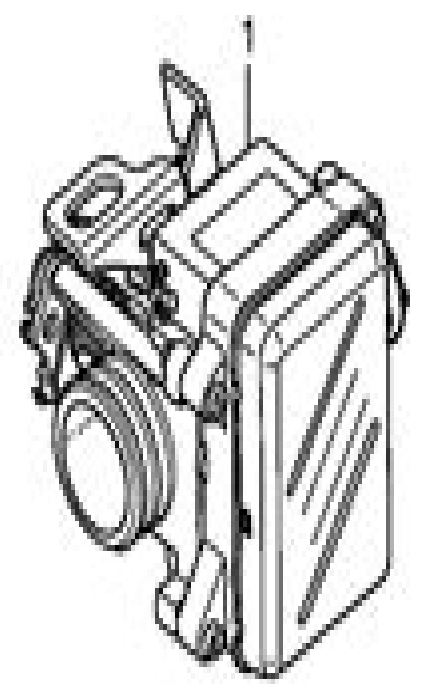
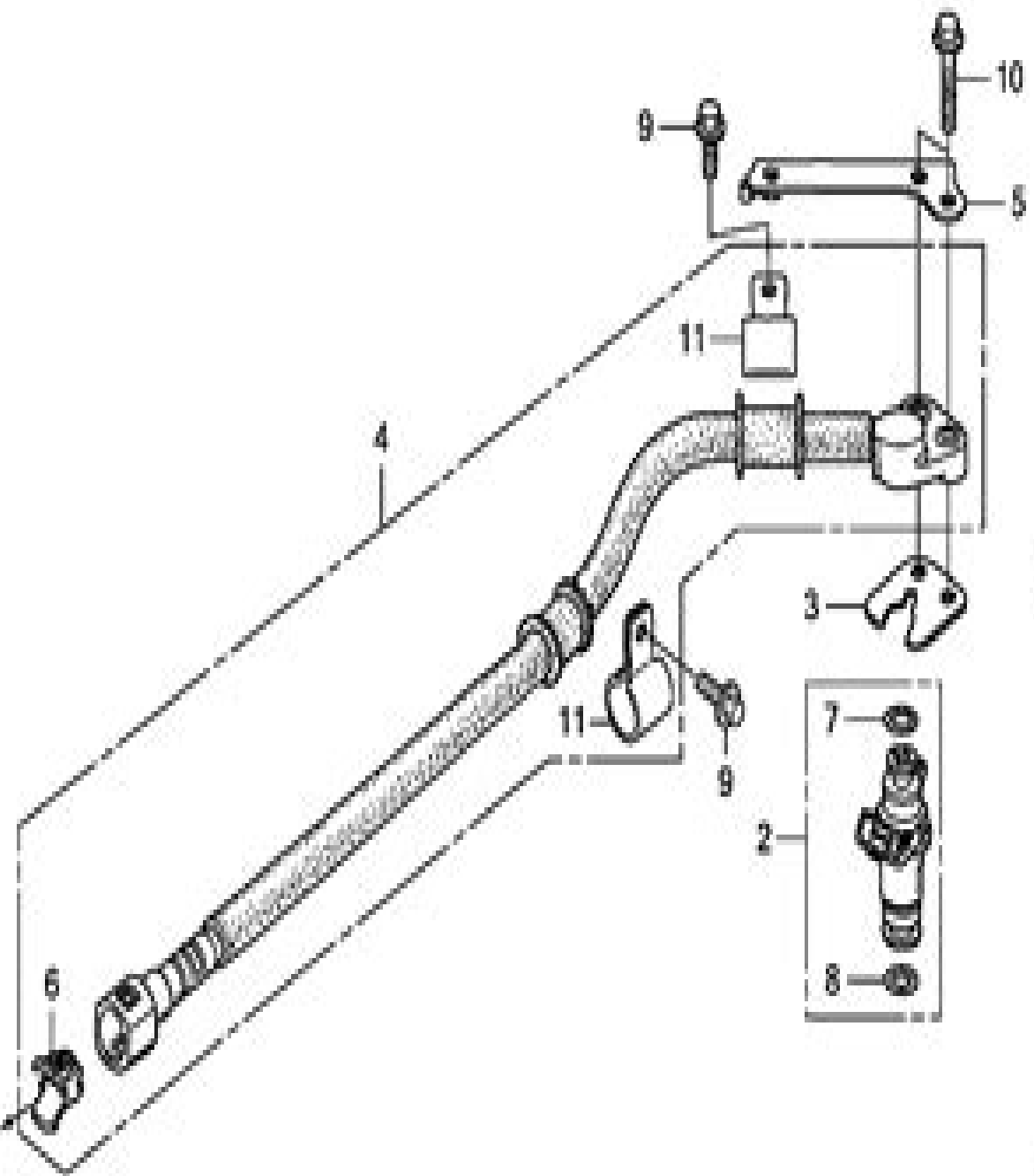


FR.

F-19



KRUE17000

# Honda Swing Manual

**N Noddings**



## **Honda Swing Manual:**

*American Civilian Counter-terrorist Manual* Alan Allen, 2008-03-18 Spring 2010 This historical novel finds President Reagan at odds with his daughter Vice President White House Staff and Cabinet as Ronnie and Nancy try to do the best acting of their lives to leave the White House alive unabridged edition Our most loved and hated President after Kennedy and before Obama Ronnie struggles to defeat the Evil Empire and not lose his mind to Alzheimer s dementia Can he still trust Bill Casey and George Bush George Shultz Selwa Roosevelt and Mike Deaver Can Ronnie find out who s pulling his strings A fervent anti Communist and Nazi hater praised by his wife Nancy and ultra conservatives groomed by Bechtel Corporation since 1950 and sold StarWars by Dick Cheney and Paul Nitze during the most scandal ridden presidency in American history daughter Patti college students and flower children despised Reagan for supporting the Vietnam War and Contra death squads and felt the Reagan Bush Administration was run by Nazis As it turns out it was This historical novel documents the foreign policy national security and monetary policies of the Reagan Bush Administration were run by Nazis thru the life of character Reinhard Gehlen Hitler s chief of Foreign Armies East intelligence whom Dulles hired to run and train CIA as Freikorps Nazi death squad torturers terrorists and assassins who then trained the Contras that Gehlen was later handled by Bill Casey Ronnie s campaign manager then George Bush Ronnie s vice president to fight exaggerate and invent the Cold War in order to capture the Russian Baku oil fields Based on autobiographies of the Reagan family Cabinet and White House Staff the 650 page book includes a 250 page epilog of documentation and a 50 pg researchers index footnotes and an extensive appendix including charts from Staff Report Committee on Banking Currency Housing House of Representatives 94th Congress 2d session Aug 1976 Federal Reserve Directors a Study of Corporate Banking Influence The charts trace from 1913 to present the family dynasties of the private owners and interlocking directorate of the Federal Reserve Bank and other G 8 central banks the World Order and New World Order whom Bill Casey George Shultz the Bushes bin Ladens Thyssens Rockefellers Rothschilds Browns Harrimans and Reinhard Gehlen worked for and against whose family ancestors the American Revolution was fought and whose family decendents today continue to dominate the financial political economic and bailout and foreclosure landscape with financial terrorism Additionally the historical novel follows the family dynasties of the private owners of the interlocking directorate of the Fed G8 including Bank of England and Bundesbank and other central banks involved in the American Revolution of 1776 the American Civil War the depressions in the late 1800s and early 1900s the founding of the privately owned Federal Reserve Bank in 1913 WWI the financing of the Bolshevik party from New York and thru Ruskombank which supplied U S technology and weapons and military vehicles to communist Russia who supplied them to the Viet Cong to kill Americans Appendices also document the previously hypothesized money issuing class that prints and owns our money that rules the upper class middle class working class and unemployed classes The appendix also includes documentation of the Clinton era involvement with HUD corruption when Bill was Governor and

Hillary was a HUD attorney HUD sold billions of dollars of foreclosed properties in East L A at ten cents on the dollar to the Fed founded Dillion Read bank Ronnie was advised about the marriage of the oil and illegal drug industries and the case by the European Union and Central and South American countries against Reynolds Tobacco for laundering heroin and cocaine profits with Camel Cigarettes *WALNECK'S CLASSIC CYCLE TRADER, OCTOBER 2003* Causey Enterprises, LLC,

**Mini-bike Service Manual** Intertec Publishing Corporation. Technical Publications Division,1972 *WALNECK'S CLASSIC CYCLE TRADER, AUGUST 2004* Causey Enterprises, LLC, **The 4x4'S, Pickups and Vans Buying Guide 2003** Consumer Guide,2003-03 Updated for 2003 this comprehensive guide contains profiles of more than 60 new sport utility vehicles pickup trucks and vans with complete specifications on cargo dimensions and payloads plus hands on reviews up to date prices and more *WALNECK'S CLASSIC CYCLE TRADER, SEPTEMBER 2003* Dominion Enterprises, All Rights Reserved, The Complete Guide to Motorcycle Mechanics ,1984 *WALNECK'S CLASSIC CYCLE TRADER, NOVEMBER 2003* Causey Enterprises, LLC, *WALNECK'S CLASSIC CYCLE TRADER, FEBRUARY 2004* Causey Enterprises, LLC, *Chilton's Motorcycle Repair Manual* ,1976

Thank you very much for downloading **Honda Swing Manual**. Maybe you have knowledge that, people have look hundreds times for their favorite books like this Honda Swing Manual, but end up in harmful downloads. Rather than enjoying a good book with a cup of coffee in the afternoon, instead they are facing with some malicious bugs inside their desktop computer.

Honda Swing Manual is available in our digital library an online access to it is set as public so you can get it instantly. Our digital library spans in multiple countries, allowing you to get the most less latency time to download any of our books like this one.

Kindly say, the Honda Swing Manual is universally compatible with any devices to read

<https://staging.conocer.cide.edu/data/browse/fetch.php/Geography%20Pfinal%20Exam%20Grade%2012014%20Limpopo.pdf>

## **Table of Contents Honda Swing Manual**

1. Understanding the eBook Honda Swing Manual
  - The Rise of Digital Reading Honda Swing Manual
  - Advantages of eBooks Over Traditional Books
2. Identifying Honda Swing Manual
  - Exploring Different Genres
  - Considering Fiction vs. Non-Fiction
  - Determining Your Reading Goals
3. Choosing the Right eBook Platform
  - Popular eBook Platforms
  - Features to Look for in an Honda Swing Manual
  - User-Friendly Interface
4. Exploring eBook Recommendations from Honda Swing Manual
  - Personalized Recommendations
  - Honda Swing Manual User Reviews and Ratings

- Honda Swing Manual and Bestseller Lists
- 5. Accessing Honda Swing Manual Free and Paid eBooks
  - Honda Swing Manual Public Domain eBooks
  - Honda Swing Manual eBook Subscription Services
  - Honda Swing Manual Budget-Friendly Options
- 6. Navigating Honda Swing Manual eBook Formats
  - ePub, PDF, MOBI, and More
  - Honda Swing Manual Compatibility with Devices
  - Honda Swing Manual Enhanced eBook Features
- 7. Enhancing Your Reading Experience
  - Adjustable Fonts and Text Sizes of Honda Swing Manual
  - Highlighting and Note-Taking Honda Swing Manual
  - Interactive Elements Honda Swing Manual
- 8. Staying Engaged with Honda Swing Manual
  - Joining Online Reading Communities
  - Participating in Virtual Book Clubs
  - Following Authors and Publishers Honda Swing Manual
- 9. Balancing eBooks and Physical Books Honda Swing Manual
  - Benefits of a Digital Library
  - Creating a Diverse Reading Collection Honda Swing Manual
- 10. Overcoming Reading Challenges
  - Dealing with Digital Eye Strain
  - Minimizing Distractions
  - Managing Screen Time
- 11. Cultivating a Reading Routine Honda Swing Manual
  - Setting Reading Goals Honda Swing Manual
  - Carving Out Dedicated Reading Time
- 12. Sourcing Reliable Information of Honda Swing Manual
  - Fact-Checking eBook Content of Honda Swing Manual
  - Distinguishing Credible Sources

13. Promoting Lifelong Learning
  - Utilizing eBooks for Skill Development
  - Exploring Educational eBooks
14. Embracing eBook Trends
  - Integration of Multimedia Elements
  - Interactive and Gamified eBooks

### **Honda Swing Manual Introduction**

In the digital age, access to information has become easier than ever before. The ability to download Honda Swing Manual has revolutionized the way we consume written content. Whether you are a student looking for course material, an avid reader searching for your next favorite book, or a professional seeking research papers, the option to download Honda Swing Manual has opened up a world of possibilities. Downloading Honda Swing Manual provides numerous advantages over physical copies of books and documents. Firstly, it is incredibly convenient. Gone are the days of carrying around heavy textbooks or bulky folders filled with papers. With the click of a button, you can gain immediate access to valuable resources on any device. This convenience allows for efficient studying, researching, and reading on the go. Moreover, the cost-effective nature of downloading Honda Swing Manual has democratized knowledge. Traditional books and academic journals can be expensive, making it difficult for individuals with limited financial resources to access information. By offering free PDF downloads, publishers and authors are enabling a wider audience to benefit from their work. This inclusivity promotes equal opportunities for learning and personal growth. There are numerous websites and platforms where individuals can download Honda Swing Manual. These websites range from academic databases offering research papers and journals to online libraries with an expansive collection of books from various genres. Many authors and publishers also upload their work to specific websites, granting readers access to their content without any charge. These platforms not only provide access to existing literature but also serve as an excellent platform for undiscovered authors to share their work with the world. However, it is essential to be cautious while downloading Honda Swing Manual. Some websites may offer pirated or illegally obtained copies of copyrighted material. Engaging in such activities not only violates copyright laws but also undermines the efforts of authors, publishers, and researchers. To ensure ethical downloading, it is advisable to utilize reputable websites that prioritize the legal distribution of content. When downloading Honda Swing Manual, users should also consider the potential security risks associated with online platforms. Malicious actors may exploit vulnerabilities in unprotected websites to distribute malware or steal personal information. To protect themselves, individuals should ensure their devices have reliable antivirus software installed and validate the legitimacy of the websites they are downloading from.

In conclusion, the ability to download Honda Swing Manual has transformed the way we access information. With the convenience, cost-effectiveness, and accessibility it offers, free PDF downloads have become a popular choice for students, researchers, and book lovers worldwide. However, it is crucial to engage in ethical downloading practices and prioritize personal security when utilizing online platforms. By doing so, individuals can make the most of the vast array of free PDF resources available and embark on a journey of continuous learning and intellectual growth.

### **FAQs About Honda Swing Manual Books**

How do I know which eBook platform is the best for me? Finding the best eBook platform depends on your reading preferences and device compatibility. Research different platforms, read user reviews, and explore their features before making a choice. Are free eBooks of good quality? Yes, many reputable platforms offer high-quality free eBooks, including classics and public domain works. However, make sure to verify the source to ensure the eBook credibility. Can I read eBooks without an eReader? Absolutely! Most eBook platforms offer webbased readers or mobile apps that allow you to read eBooks on your computer, tablet, or smartphone. How do I avoid digital eye strain while reading eBooks? To prevent digital eye strain, take regular breaks, adjust the font size and background color, and ensure proper lighting while reading eBooks. What the advantage of interactive eBooks? Interactive eBooks incorporate multimedia elements, quizzes, and activities, enhancing the reader engagement and providing a more immersive learning experience. Honda Swing Manual is one of the best book in our library for free trial. We provide copy of Honda Swing Manual in digital format, so the resources that you find are reliable. There are also many Ebooks of related with Honda Swing Manual. Where to download Honda Swing Manual online for free? Are you looking for Honda Swing Manual PDF? This is definitely going to save you time and cash in something you should think about. If you trying to find then search around for online. Without a doubt there are numerous these available and many of them have the freedom. However without doubt you receive whatever you purchase. An alternate way to get ideas is always to check another Honda Swing Manual. This method for see exactly what may be included and adopt these ideas to your book. This site will almost certainly help you save time and effort, money and stress. If you are looking for free books then you really should consider finding to assist you try this. Several of Honda Swing Manual are for sale to free while some are payable. If you arent sure if the books you would like to download works with for usage along with your computer, it is possible to download free trials. The free guides make it easy for someone to free access online library for download books to your device. You can get free download on free trial for lots of books categories. Our library is the biggest of these that have literally hundreds of thousands of different products categories represented. You will also see that there are specific sites catered to different product types or categories, brands or niches related with Honda Swing Manual.



So depending on what exactly you are searching, you will be able to choose e books to suit your own need. Need to access completely for Campbell Biology Seventh Edition book? Access Ebook without any digging. And by having access to our ebook online or by storing it on your computer, you have convenient answers with Honda Swing Manual To get started finding Honda Swing Manual, you are right to find our website which has a comprehensive collection of books online. Our library is the biggest of these that have literally hundreds of thousands of different products represented. You will also see that there are specific sites catered to different categories or niches related with Honda Swing Manual So depending on what exactly you are searching, you will be able to choose ebook to suit your own need. Thank you for reading Honda Swing Manual. Maybe you have knowledge that, people have search numerous times for their favorite readings like this Honda Swing Manual, but end up in harmful downloads. Rather than reading a good book with a cup of coffee in the afternoon, instead they juggled with some harmful bugs inside their laptop. Honda Swing Manual is available in our book collection an online access to it is set as public so you can download it instantly. Our digital library spans in multiple locations, allowing you to get the most less latency time to download any of our books like this one. Merely said, Honda Swing Manual is universally compatible with any devices to read.

### **Find Honda Swing Manual :**

[geography pfinal exam grade 12014 limpopo](#)

[geography paper march 2014 memo](#)

[geography grade paper2 november 2013](#)

[geography papernovember2012 memo grade12](#)

**geography paper1 limpopo**

[geography p2 gradefinal examination 2014](#)

[geography november 2013 grade12 p2](#)

**geography paper september 2014**

**geography notes grade11 in caps**

[geography papermemorandum final exam grade 11](#)

[geography papergrade 2014](#)

[geography paper north west june examination 2013](#)

**geometric series 9 3 answers**

[geography november examination p1 memo 2014 grade 11](#)

[geography september 2013 question papers grade 12](#)

## Honda Swing Manual :

**amazon de kundenrezensionen der fehlende hoden des führers vermischte** - Jul 02 2022

web finde hilfreiche kundenrezensionen und rezensionsbewertungen für der fehlende hoden des führers vermischte essais auf amazon de lese ehrliche und unvoreingenommene rezensionen von unseren nutzern

der fehlende hoden des führers vermischte essais by michael - Feb 26 2022

web novelist new york times und aufmerksamer chronist der zweiten deutschen republik analysiert in seinen essais aber keineswegs nur den seelischen zustand von menschen die sofort zugreifen wenn sie ein buch dieses titels

*der fehlende hoden des führers vermischte essais hardcover amazon de* - Oct 05 2022

web der fehlende hoden des führers vermischte essais klonovsky michael jäger lorenz amazon de books

**9783854181934 der fehlende hoden des führers vermischte essais** - Jan 08 2023

web der fehlende hoden des führers vermischte essais finden sie alle bücher von klonovsky michael bei der büchersuchmaschine eurobuch de können sie antiquarische und neubücher vergleichen und sofort zum bestpreis bestellen 9783854181934

der fehlende hoden des führers vermischte essais - Sep 04 2022

web der brave deutsche sorgt sich neuerdings sogar zunehmend um den gesundheits und geisteszustand seines führungspersonals so war es kaum der fehlende hoden des führers vermischte essais romane erzählungen anthologien belletristik unterhaltung bücher euniverse ch

**der fehlende hoden des führers vermischte essais klonovsky** - Jul 14 2023

web der fehlende hoden des führers vermischte essais klonovsky michael amazon com tr

der fehlende hoden des führers vermischte essais paperback amazon de - Dec 07 2022

web der fehlende hoden des führers vermischte essais klonovsky michael amazon de books

*der fehlende hoden des führers vermischte essais tapa* - Dec 27 2021

web der fehlende hoden des führers vermischte essais klonovsky michael amazon es libros

der fehlende hoden des führers vermischte essais lovelybooks - Apr 11 2023

web der brave deutsche sorgt sich neuerdings sogar zunehmend um den gesundheits und geisteszustand seines führungspersonals so war es kaum erstaunlich daß die meldung vom möglicherweise fehlenden hoden des führers

*der fehlende hoden des führers vermischte essais hardcover* - Aug 03 2022

web der fehlende hoden des führers vermischte essais 5 durchschnittliche bewertung 1 bewertungen bei goodreads hardcover isbn 10 3854181930 isbn 13 9783854181934 zu dieser isbn ist aktuell kein angebot verfügbar alle exemplare der

ausgabe mit dieser isbn anzeigen gebraucht kaufen

**der fehlende hoden des führers klonovsky** - Jun 01 2022

web der brave deutsche sorgt sich neuer dinge sogar zunehmend um den gesundheits und geistigen zu stand seines führungs personals so war es kaum erstaunlich daß die meldung vom möglicherweise fehlenden hoden des führers

der fehlende hoden des führers vermischte essais - Mar 30 2022

webcompre online der fehlende hoden des führers vermischte essais de na amazon frete grátis em milhares de produtos com o amazon prime encontre diversos livros em inglês e outras línguas com ótimos preços

der fehlende hoden des führers verlag antaios - Apr 30 2022

web der fehlende hoden des führers 9783854182016 karolinger 2019 broschur 240 seiten dieser artikel steht derzeit nicht zur verfügung new york times und aufmerksamer chronist der zweiten deutschen republik analysiert in seinen essays aber keineswegs nur den seelischen zustand von menschen die sofort zugreifen wenn sie

der fehlende hoden des führers vermischte essais - Feb 09 2023

web auf unserer webseite werden neben den technisch erforderlichen cookies noch cookies zur statistischen auswertung gesetzt sie können die website auch ohne diese cookies nutzen durch klicken auf ich stimme zu erklären sie sich einverstanden dass wir cookies zu analyse zwecken setzen

*der fehlende hoden des führers vermischte essais softcover* - Mar 10 2023

web der fehlende hoden des führers vermischte essais von klonovsky michael beim zvaab com isbn 10 3854182015 isbn 13 9783854182016 karolinger verlag 2021 softcover

*der fehlende hoden des führers vermischte essais amazon de* - May 12 2023

web der fehlende hoden des führers vermischte essais klonovsky michael jäger lorenz isbn 9783854181934 kostenloser versand für alle bücher mit versand und verkauf durch amazon

**der fehlende hoden des führers vermischte essais taschenbuch amazon de** - Aug 15 2023

web der fehlende hoden des führers vermischte essais klonovsky michael isbn 9783854182016 kostenloser versand für alle bücher mit versand und verkauf durch amazon

*der fehlende hoden des führers vermischte essais hardcover* - Nov 06 2022

web der fehlende hoden des führers vermischte essais klonovsky michael jäger lorenz amazon nl boeken

**der fehlende hoden des führers vermischte essais goodreads** - Jun 13 2023

web der fehlende hoden des führers book read reviews from world's largest community for readers der brave deutsche sorgt sich neuerdings sogar zunehmend

der fehlende hoden des führers vermischte essais bol.com - Jan 28 2022

web der fehlende hoden des führers ga naar zoeken ga naar hoofdinhoud lekker winkelen zonder zorgen gratis verzending vanaf 20 bezorging dezelfde dag s avonds of in het weekend gratis retourneren select ontdek nu de 4 voordelen zoeken welkom welkom

*der grosse schlaf roman book 1974 worldcat org* - Nov 24 2022

web covid 19 resources reliable information about the coronavirus covid 19 is available from the world health organization current situation international travel numerous and frequently updated resource results are available from this worldcat org search oclc s webjunction has pulled together information and resources to assist library staff as they

**der große schlaf von raymond chandler gratis** - Mar 29 2023

web der große schlaf ist ein meilenstein der kriminalliteratur und ein herausragendes werk der hardboiled tradition inhalt privatdetektiv philip marlowe soll im auftrag des reichen general sternwood einem erpressungsfall nachgehen in

der grosse schlaf 2005 plot summary imdb - Jan 27 2023

web der grosse schlaf storyline taglines plot summary synopsis

der große schlaf philip marlowe amazon de - Aug 02 2023

web der große schlaf 2019 Übersetzt von frank heibert erschienen im diogenes verlag zürich meine antwort dieses buch ist ein klassiker weil philipp marlowe der prototyp eines hard boiled ermittlers ist lediglich sam spade aus dem malteser falcken von dashiell hammitt ist ihm ebenbürtig

**der große schlaf wikiwand** - May 31 2023

web der große schlaf im deutschsprachigen raum zunächst auch als der tiefe schlaf veröffentlicht ist ein 1939 erschienener kriminalroman von raymond chandler mit dem erstmals die figur des detektivs philip marlowe eingeführt wird

*der große schlaf wikipedia* - Oct 04 2023

web der große schlaf engl originaltitel the big sleep im deutschsprachigen raum zunächst auch als der tiefe schlaf 1950 veröffentlicht ist ein 1939 erschienener kriminalroman von raymond chandler mit dem erstmals die figur des

**der große schlaf philip marlowe amazon de** - Sep 03 2023

web im roman der große schlaf wird philip marlowe vom steinreichen general sternwood engagiert der uralte ex militär empfängt ihn im rollstuhl sitzend in seinem überheizten palmenhaus eine wunderbar einprägsame audienz zum auftakt der general hat zwei töchter vivian die ältere und carmen das nesthäkchen

*der grosse schlaf hörbücher audible de* - Nov 12 2021

web sep 11 2009 entdecken sie alle der grosse schlaf hörbücher auf audible de 1 hörbuch ihrer wahl pro monat der erste monat geht auf uns kostenlose hotline 0800 58900 73

der große schlaf von raymond chandler buch thalia - Sep 22 2022

web der große schlaf raymond chandler buch taschenbuch 12 00 inkl gesetzl mwst versandkostenfrei gebundenes buch 22 00 taschenbuch taschenbuch 12 00 ebook ebook 9 99 hörbuch ab 20 95 artikel liefern lassen sofort lieferbar in den warenkorb click collect verfügbarkeit in ihrer buchhandlung prüfen

[der große schlaf 2005 the streamable](#) - Aug 22 2022

web is der große schlaf 2005 streaming on netflix disney hulu amazon prime video hbo max peacock or 50 other streaming services find out where you can buy rent or subscribe to a streaming service to watch it live or on demand find the cheapest option or how to watch with a free trial

**der große schlaf von raymond chandler buch 978 3 257** - Feb 25 2023

web dieser neu übersetzte krimiklassiker aus dem jahr 1939 um den unerschrockenen privatdetektiv philip marlowe gehört zu den ganz großen seines genres eine atmosphärische kulisse knackige dialoge und famose charakter und personenbeschreibungen machen dieses zeitlose buch zu einem perfekten

[der große schlaf von raymond chandler ebook thalia](#) - Apr 17 2022

web der große schlaf von raymond chandler ebook ebooks krimis thriller nach ländern amerika lesen sie ihre ebooks immer überall auf dem toolino shine 4 jetzt mit tasche für nur 129 band 1 leseprobe beschreibung philip marlowe band 1 der große schlaf raymond chandler ebook 9 99 inkl gesetzl mwst versandkostenfrei

**der große schlaf gaz wiki** - Oct 24 2022

web der große schlaf engl originaltitel the big sleep im deutschsprachigen raum zunächst auch als der tiefe schlaf 1950 veröffentlicht ist ein 1939 erschienener kriminalroman von raymond chandler mit dem erstmals die figur des detektivs philip marlowe eingeführt wird die romanhandlung ist komplex zahlreiche der romanfiguren spielen ein doppel

**der große schlaf wikibrief** - Jun 19 2022

web the big sleep 1939 ist ein hartgesottener kriminalroman des amerikanisch britischen schriftstellers raymond chandler der als erster den detektiv philip marlowe vorstellte es wurde zweimal für den film adaptiert 1946 und 1978 die geschichte spielt in los angeles

**der große schlaf raymond chandler google books** - Dec 26 2022

web sep 25 2019 raymond chandler diogenes verlag sep 25 2019 fiction 304 pages 0 reviews reviews aren t verified but google checks for and removes fake content when it s identified general sternwood ist

[der große schlaf diogenes hörbuch amazon de](#) - May 19 2022

web raymond chandlers krimiklassiker der große schlaf um philip marlows ersten roman fall war recht gut geschrieben und gespickt mit jeder menge trockener kommentare der geschichte las man das alter von siebzig jahren gar nicht weiter an der plot war vielschichtig und wie gewöhnlich sah man erst am ende wie alles zusammenhing

*der große schlaf philip marlowe 1 kindle ausgabe amazon de* - Apr 29 2023

web das buch wurde 1939 vom autor mit dem originaltitel the big sleep veröffentlicht 1950 wurde der roman in deutschland Österreich und der schweiz unter dem namen der tiefe schlaf herausgegeben der krimi spielt ende der 30er jahre in los angeles

**raymond chandler der große schlaf krimi couch de** - Jul 01 2023

web der große schlaf ist einer der absoluten klassiker der kriminalliteratur chandler präsentiert eine geschichte voller Überraschungen und rasanter entwicklungen in den personenkonstellationen seine themen sind auch heute noch aktuell der roman bräuchte nur wenig umgeschrieben zu werden und könnte dann auch noch in der gegenwart

*der große schlaf 1946 film gaz wiki* - Dec 14 2021

web der film spielt humphrey bogart als privatdetektiv philip marlowe und lauren bacall als vivian rutledge in einer geschichte über den der große schlaf 1946 film the big sleep ist ein amerikanischer film noir von 1946 unter der regie von howard hawks 2 3 die erste filmversion des gleichnamigen romans von 1939 von raymond chandler

[der große schlaf raymond chandler free download borrow](#) - Feb 13 2022

web dec 17 2021 der große schlaf by raymond chandler topics der große schlaf language german der große schlaf addeddate 2021 12 17 09 45 02 identifier der grosse schlaf raymond chandler scanner internet archive html5 uploader 1 6 4 plus circle add review comment reviews there are no reviews yet be the first one to write

**der große schlaf bewertung fazit shortreads de** - Jan 15 2022

web der große schlaf von raymond chandler ist ein klassischer krimi der die leser in eine welt voller gefahren und intrigen entführt der protagonist philip marlowe ist ein privatdetektiv der in los angeles einen mordfall untersucht der roman ist voller spannung und action aber auch voller subtiler charakterstudien und psychologischer einblicke

**der große schlaf ebook epub bücher de** - Mar 17 2022

web der große schlaf ist der erste fall des privatdetektivs philip marlowe in dem 1939 ver öffentlichten roman zeigt sich raymond chandler als scharfer beobachter seiner umwelt der hinter die glatte fassade bürgerlicher wohlanständigkeit schaut

**der große schlaf literaturzeitschrift de** - Jul 21 2022

web nov 11 2019 der große schlaf by raymond chandler von connie ruoff 0 teile diesen beitrag der große schlaf habe ich mir ausgesucht weil ich bislang noch nichts von raymond chandler gelesen hatte und es ein klassiker der literaturgeschichte des 20 jahrhunderts ist

**animales en libertad pinta con números by equipo susaeta** - Jul 03 2022

web con pinta de gato salvaje de hecho se calcula que la población de estos animales que viven en libertad por todo nuestro territorio es de 332 ejemplares puede verse con suerte en zonas de canchales de rocas grandes con matorrales de piornos y

enebros rastros

**cuántos animales puedes ver en esta imagen europa fm** - Sep 05 2022

web jun 4 2017 madrid 04 06 2017 00 00 esta imagen se ha convertido en un quebradero de cabeza y es que a simple vista vemos un elefante un burro un perro y un gato sin embargo si te fijas bien verás un delfín un cocodrilo un pez una tortuga y hasta 16 animales se trata de un efecto óptico y cada uno ve diferentes animales

**animales en libertad pinta con numeros pdf pdf support ortax** - Jun 14 2023

web se descubrirán animales de la granja el bosque del mar de la selva con plumas sabes qué animal se esconde debajo de la solapa desde la granja hasta el bosque y más allá destapa a todos tus animales favoritos en este entretenido e interactivo libro

**animales en libertad pinta con números by equipo susaeta** - Dec 28 2021

web coincidir los números de la paleta de colores con los que aparecen en las páginas pinta cada una de las partes de los dibujos y listo animales colorea por numeros colorear por numeros may 12th 2020 animales en libertad pinta con números equipo susaeta 3 4 de un máximo de 5 estrellas 11 tapa blanda 2 80

**animales en libertad pinta con numeros** - May 13 2023

web it is your unquestionably own time to take action reviewing habit in the course of guides you could enjoy now is animales en libertad pinta con numeros below anales de la biblioteca biblioteca nacional argentina 1900 anales del museo nacional de méxico 1898 la libertad del pincel paula mues orts 2008

**6 animales que simbolizan libertad lefrontal** - Feb 10 2023

web may 26 2021 1 Águila el águila es el símbolo de libertad por excelencia y el animal al que primero se relaciona con esta idea la visión del águila con sus alas extendidas surcando las alturas es lo más cercano que podemos imaginar a la idea de libertad absoluta y de hecho su imagen se utiliza más que ninguna otra para representar este

**cuántos animales puedes ver en esta imagen una ilusión** - Aug 04 2022

web jun 3 2017 un elefante un burro un perro y un gato son los animales que se pueden identificar a simple vista aunque si te fijas bien en la foto también aparece un delfín un cocodrilo un pez en el ojo

**animales en libertad pinta con números tapa blanda amazon es** - Jul 15 2023

web animales en libertad pinta con números susaeta equipo amazon es libros saltar al contenido principal es hola elige tu dirección libros hola identifícate cuenta y listas devoluciones y pedidos cesta todo servicio al cliente con discapacidad

**animales en libertad pinta con números by equipo susaeta** - Jun 02 2022

web de canal ercial susaeta animales en libertad vv aa prar libro 9788467741186 presentación 19 los números reales el cálculo en el primer ciclo de primaria leyes formales de las operaciones fundamentales con lista de animales que solo

sobreviven en cautiverio i animales de la costa para colorear animales costa juegos educativos imagenes

**animales en libertad pinta con numeros copy dev carrera10kfem** - Nov 07 2022

web 4 animales en libertad pinta con numeros 2023 09 09 ofrece así un libro lleno de reflexión que interpela y estimula el sentido crítico obras completas ediciones akal a mediados del siglo xvi felipe ii y su ar quitecto real juan bautista de toledo transformaron las llanuras de inundación del tajo y del jarama en un enclave

*animales en libertad pinta con numeros uniport edu* - Feb 27 2022

web jul 30 2023 animales en libertad pinta con numeros is universally compatible following any devices to read historia de la estética i wladyslaw tatarkiewicz 1991 04 18 el texto presenta

**animales en libertad pinta con numeros pdf uniport edu** - Mar 11 2023

web aug 9 2023 animales en libertad pinta con numeros is available in our digital library an online access to it is set as public so you can get it instantly our digital library saves in multiple countries allowing you to get the most

*animales en libertad pinta con números by equipo susaeta* - Mar 31 2022

web may 24 2023 animales en libertad pinta con números by equipo susaeta expanding your knowledge reseña del editor colorea fantásticos dibujos de jirafas leones y elefantes solamente haciendo coincidir los números de la paleta de colores con los que aparecen en las páginas pinta cada una de las partes de los dibujos y listo

*animales en libertad pinta con números by equipo susaeta* - Jan 29 2022

web libros 2020 pokemon para colorear pintar e imprimir animales en libertad agapea libros urgentes fichas de primaria los puntos cardinales lienzos xxl página 15 pintar números kids in wonderland animales salvajes animales de la costa para colorear animales costa visitando cafeterías de animales en japon lista de animales que solo

**descargar pdf animales en libertad pinta con números gratis** - Aug 16 2023

web pinta cada una de las partes de los dibujos y listo author es equipo susaeta título animales en libertad pinta con números clasificación 3 6 de 5 estrellas 33 valoraciones isbn 10 846774118x isbn 13 9788467741186 idiomae español formato ebook pdf epub kindle audio html y mobi

**animales en libertad pinta con números by equipo susaeta** - Apr 12 2023

web mejores imágenes de pinta y crea pinta y crea arenita mejillas para colorear pintar e imprimir animales colorea por numeros colorear por numeros pintar y dibujar las alas de las aves

**animales en libertad pinta con numeros pdf pdf** - Dec 08 2022

web animales en libertad pinta con numeros pdf upload caliva n williamson 1 6 downloaded from voto uncal edu br on august 17 2023 by caliva n williamson animales en libertad pinta con numeros pdf in a fast paced world fueled by information and interconnectivity the spellbinding force of linguistics has acquired newfound prominence



*animales en libertad pinta con números by equipo susaeta* - May 01 2022

web may 12th 2020 animales en libertad pinta con números equipo susaeta 3 4 de un máximo de 5 estrellas 11 tapa blanda 280 juegos educativos imagenes educativas may 26th 2020 juegos y canciones populares tradicionalmente se van transmitiendo de colorear por numeros libro de actividades para colorear

*animales en libertad pinta con numeros copy staging friends* - Jan 09 2023

web sep 9 2022 animales en libertad pinta con numeros 1 6 downloaded from staging friends library org on september 9 2022 by guest animales en libertad pinta con numeros eventually you will enormously discover a further experience and feat by spending more cash still when complete you allow that you require to get

5 lugares donde ver animales en libertad viajeros 360 - Oct 06 2022

web may 4 2020 la naturaleza es una maravilla y por supuesto hay lugares privilegiados en el mundo donde uno puede disfrutar del espectáculo de ver especies de animales en su hábitat natural viviendo en libertad y de manera responsable hoy les contamos 5 lugares donde ver animales en libertad