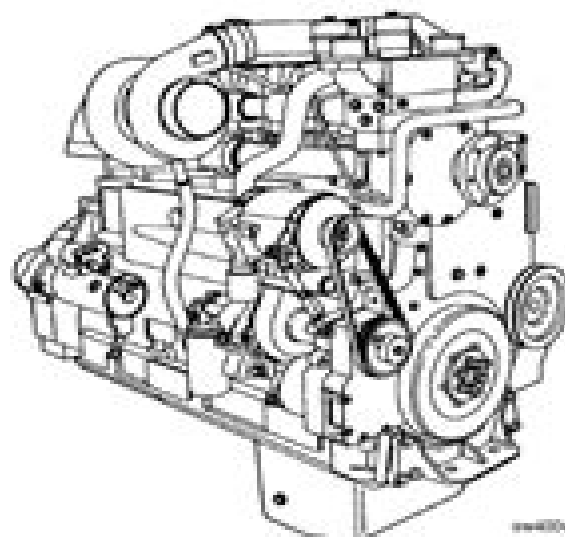




Troubleshooting and Repair Manual K19 Engines



- MAIN MENU
- COVER PAGE
- FOREWORD
- TABLE OF CONTENTS
- SECTION I - INTRODUCTION
- SECTION E - ENGINE AND COMPONENT IDENTIFICATION
- SECTION T - TROUBLESHOOTING
- SECTION 1 - COOLING SYSTEM
- SECTION 2 - LUBRICATION OIL SYSTEM
- SECTION 3 - COMBUSTION AIR SYSTEM
 - GENERAL INFORMATION (03-01)
 - SPECIFICATIONS (03-02)
 - FLOW DIAGRAMS (03-03)
 - SERVICE TOOLS (03-04)
 - TURBOCHARGER TURBINE SEAL LEAKS - CHECK (03-05)
 - COMPRESSOR SEAL LEAKAGE - CHECK (03-06)
 - CORRECT TURBOCHARGER INSTALLED - CHECK (03-07)
 - INTAKE AIR RESTRICTION - CHECK (03-08)
 - EXHAUST RESTRICTION - CHECK (03-09)

K19 Cummins Engine Maintenance Manual

Christian G. Meyer



K19 Cummins Engine Maintenance Manual:

When people should go to the books stores, search initiation by shop, shelf by shelf, it is really problematic. This is why we allow the book compilations in this website. It will utterly ease you to look guide **K19 Cummins Engine Maintenance Manual** as you such as.

By searching the title, publisher, or authors of guide you in fact want, you can discover them rapidly. In the house, workplace, or perhaps in your method can be every best area within net connections. If you goal to download and install the K19 Cummins Engine Maintenance Manual, it is certainly simple then, before currently we extend the member to buy and make bargains to download and install K19 Cummins Engine Maintenance Manual appropriately simple!

https://staging.conocer.cide.edu/files/detail/Download_PDFS/food%20chain%20gizmo%20answer.pdf

Table of Contents K19 Cummins Engine Maintenance Manual

1. Understanding the eBook K19 Cummins Engine Maintenance Manual
 - The Rise of Digital Reading K19 Cummins Engine Maintenance Manual
 - Advantages of eBooks Over Traditional Books
2. Identifying K19 Cummins Engine Maintenance Manual
 - Exploring Different Genres
 - Considering Fiction vs. Non-Fiction
 - Determining Your Reading Goals
3. Choosing the Right eBook Platform
 - Popular eBook Platforms
 - Features to Look for in an K19 Cummins Engine Maintenance Manual
 - User-Friendly Interface
4. Exploring eBook Recommendations from K19 Cummins Engine Maintenance Manual
 - Personalized Recommendations
 - K19 Cummins Engine Maintenance Manual User Reviews and Ratings
 - K19 Cummins Engine Maintenance Manual and Bestseller Lists

5. Accessing K19 Cummins Engine Maintenance Manual Free and Paid eBooks
 - K19 Cummins Engine Maintenance Manual Public Domain eBooks
 - K19 Cummins Engine Maintenance Manual eBook Subscription Services
 - K19 Cummins Engine Maintenance Manual Budget-Friendly Options
6. Navigating K19 Cummins Engine Maintenance Manual eBook Formats
 - ePub, PDF, MOBI, and More
 - K19 Cummins Engine Maintenance Manual Compatibility with Devices
 - K19 Cummins Engine Maintenance Manual Enhanced eBook Features
7. Enhancing Your Reading Experience
 - Adjustable Fonts and Text Sizes of K19 Cummins Engine Maintenance Manual
 - Highlighting and Note-Taking K19 Cummins Engine Maintenance Manual
 - Interactive Elements K19 Cummins Engine Maintenance Manual
8. Staying Engaged with K19 Cummins Engine Maintenance Manual
 - Joining Online Reading Communities
 - Participating in Virtual Book Clubs
 - Following Authors and Publishers K19 Cummins Engine Maintenance Manual
9. Balancing eBooks and Physical Books K19 Cummins Engine Maintenance Manual
 - Benefits of a Digital Library
 - Creating a Diverse Reading Collection K19 Cummins Engine Maintenance Manual
10. Overcoming Reading Challenges
 - Dealing with Digital Eye Strain
 - Minimizing Distractions
 - Managing Screen Time
11. Cultivating a Reading Routine K19 Cummins Engine Maintenance Manual
 - Setting Reading Goals K19 Cummins Engine Maintenance Manual
 - Carving Out Dedicated Reading Time
12. Sourcing Reliable Information of K19 Cummins Engine Maintenance Manual
 - Fact-Checking eBook Content of K19 Cummins Engine Maintenance Manual
 - Distinguishing Credible Sources
13. Promoting Lifelong Learning

- Utilizing eBooks for Skill Development
 - Exploring Educational eBooks
14. Embracing eBook Trends
- Integration of Multimedia Elements
 - Interactive and Gamified eBooks

K19 Cummins Engine Maintenance Manual Introduction

In the digital age, access to information has become easier than ever before. The ability to download K19 Cummins Engine Maintenance Manual has revolutionized the way we consume written content. Whether you are a student looking for course material, an avid reader searching for your next favorite book, or a professional seeking research papers, the option to download K19 Cummins Engine Maintenance Manual has opened up a world of possibilities. Downloading K19 Cummins Engine Maintenance Manual provides numerous advantages over physical copies of books and documents. Firstly, it is incredibly convenient. Gone are the days of carrying around heavy textbooks or bulky folders filled with papers. With the click of a button, you can gain immediate access to valuable resources on any device. This convenience allows for efficient studying, researching, and reading on the go. Moreover, the cost-effective nature of downloading K19 Cummins Engine Maintenance Manual has democratized knowledge. Traditional books and academic journals can be expensive, making it difficult for individuals with limited financial resources to access information. By offering free PDF downloads, publishers and authors are enabling a wider audience to benefit from their work. This inclusivity promotes equal opportunities for learning and personal growth. There are numerous websites and platforms where individuals can download K19 Cummins Engine Maintenance Manual. These websites range from academic databases offering research papers and journals to online libraries with an expansive collection of books from various genres. Many authors and publishers also upload their work to specific websites, granting readers access to their content without any charge. These platforms not only provide access to existing literature but also serve as an excellent platform for undiscovered authors to share their work with the world. However, it is essential to be cautious while downloading K19 Cummins Engine Maintenance Manual. Some websites may offer pirated or illegally obtained copies of copyrighted material. Engaging in such activities not only violates copyright laws but also undermines the efforts of authors, publishers, and researchers. To ensure ethical downloading, it is advisable to utilize reputable websites that prioritize the legal distribution of content. When downloading K19 Cummins Engine Maintenance Manual, users should also consider the potential security risks associated with online platforms. Malicious actors may exploit vulnerabilities in unprotected websites to distribute malware or steal personal information. To protect themselves, individuals should ensure their devices have reliable antivirus software installed and validate the legitimacy of

the websites they are downloading from. In conclusion, the ability to download K19 Cummins Engine Maintenance Manual has transformed the way we access information. With the convenience, cost-effectiveness, and accessibility it offers, free PDF downloads have become a popular choice for students, researchers, and book lovers worldwide. However, it is crucial to engage in ethical downloading practices and prioritize personal security when utilizing online platforms. By doing so, individuals can make the most of the vast array of free PDF resources available and embark on a journey of continuous learning and intellectual growth.

FAQs About K19 Cummins Engine Maintenance Manual Books

How do I know which eBook platform is the best for me? Finding the best eBook platform depends on your reading preferences and device compatibility. Research different platforms, read user reviews, and explore their features before making a choice. Are free eBooks of good quality? Yes, many reputable platforms offer high-quality free eBooks, including classics and public domain works. However, make sure to verify the source to ensure the eBook credibility. Can I read eBooks without an eReader? Absolutely! Most eBook platforms offer web-based readers or mobile apps that allow you to read eBooks on your computer, tablet, or smartphone. How do I avoid digital eye strain while reading eBooks? To prevent digital eye strain, take regular breaks, adjust the font size and background color, and ensure proper lighting while reading eBooks. What the advantage of interactive eBooks? Interactive eBooks incorporate multimedia elements, quizzes, and activities, enhancing the reader engagement and providing a more immersive learning experience. K19 Cummins Engine Maintenance Manual is one of the best book in our library for free trial. We provide copy of K19 Cummins Engine Maintenance Manual in digital format, so the resources that you find are reliable. There are also many Ebooks of related with K19 Cummins Engine Maintenance Manual. Where to download K19 Cummins Engine Maintenance Manual online for free? Are you looking for K19 Cummins Engine Maintenance Manual PDF? This is definitely going to save you time and cash in something you should think about.

Find K19 Cummins Engine Maintenance Manual :

[food chain gizmo answer](#)

[flvs algebra module 3 test answers](#)

[food of the southern forests](#)

[flywheel nut torque on a 72 suzuki ts 250](#)

~~food wars vol 4 shokugeki no soma~~

~~football parent night ideas~~

food stamps paper

~~fm 52309advance parachuting techniques and training~~

~~flvs english 4 segment 2 exam answers~~

~~focus on grammar workbook answer key~~

~~following his footsteps rags to riches 3 ta chase~~

food matters a guide to

flvs advanced algebra segment exam answers

flying faders manual

fluke i1010 manual

K19 Cummins Engine Maintenance Manual :

The Big Bad Book of Bill Murray The Big Bad Book of Bill Murray: A Critical Appreciation of the World's Finest Actor ... Select Format. Kindle - \$14.99. The Big Bad Book of Bill Murray: A Critical Appreciation ... Amazon.com: The Big Bad Book of Bill Murray: A Critical Appreciation of the World's Finest Actor eBook : Schnakenberg, Robert: Kindle Store. The Big Bad Book of Bill Murray: A Critical Appreciation of the World's Finest Actor (Paperback). By Robert Schnakenberg. \$22.95. Availability to be confirmed. The Big Bad Book of Bill Murray: A Critical Appreciation ... The Big Bad Book of Bill Murray: A Critical Appreciation of the World's Finest Actor · Paperback · \$22.95. The Big Bad Book of Bill Murray “Bill Murray is a riddle, wrapped in a mystery, inside an enigma—but the key is [The Big Bad Book of Bill Murray]”—Flavorwire. “The Big Bad Book of Bill Murray ... The Big Bad Book of Bill Murray The Big Bad Book of Bill Murray ; Paperback. \$22.95 US ; About. The New York Times Best Seller. The Big Bad Book of Bill Murray: A Critical Appreciation ... The Big Bad Book of Bill Murray: A Critical Appreciation of the World's Finest Actor (Paperback) ; By Robert Schnakenberg ; Description. The New York Times Best ... The Big Bad Book of Bill Murray by Robert Schnakenberg Sep 15, 2015 — About The Big Bad Book of Bill Murray. The New York Times Best Seller. Part biography, part critical appreciation, part love letter—and all ... The Big Bad Book of Bill Murray The Big Bad Book of Bill Murray · Book Dimensions: 7¼ x 9 · Page Count: 272. The Big Bad Book of Bill Murray by Robert Schnakenberg The Big Bad Book of Bill Murray. A Critical Appreciation of the World's Finest Actor. Author Robert Schnakenberg. Share Save. The Big Bad Book of Bill Murray. Massey Ferguson MF 1105 MF 1135 MF 1155 Tractors Massey Ferguson MF 1105 MF 1135 MF 1155 Tractors Operator's Manual 60 Pages This Manual is available in: Digital Download CONTENTS INSTRUMENTS AND CONTROLS ... Massey

Ferguson Mf 1105 1135 1155 Tractor Owners ... Buy Massey Ferguson Mf 1105 1135 1155 Tractor Owners Operators Manual Maintenance Manual: Spare & Replacement Parts - Amazon.com ☐ FREE DELIVERY possible ... Massey Ferguson 1105 Tractor Service Manual (IT Shop) Amazon.com: Massey Ferguson 1105 Tractor Service Manual (IT Shop) Massey Ferguson 1105 Tractor Operators Manual We carry new and OEM reprint manuals for your tractor. From owners, operators, parts, repair & service manuals, we have one for your application. Massey ferguson 1105 tractor service parts catalogue ... May 9, 2020 — Massey ferguson 1105 tractor service parts catalogue manual - Download as a PDF or view online for free. Massey Ferguson MF 1105 Operators Manual This is an Operators Manual for the Massey Ferguson MF 1105 with 54 pages of important information pertaining to your Massey Ferguson tractor. Massey Ferguson 1105, 1135, and 1155 Tractor Manual This is the operator's manual for the Massey Ferguson 1105, 1135, and 1155 tractor. Massey Ferguson 1105 Tractor Operators Manual The Operators Manual for Massey Ferguson 1105 Tractor contains 54 pages of helpful and technical information. This manual is a must have for any Massey ... Massey Ferguson 1105 Tractor Service Manual This Massey Ferguson model 1105 Diesel Tractor Service Manual is a digitally enhanced reproduction of the original manufacturer-issued Shop Manual. PLEASE NOTE: ... Massey Ferguson 1105 Tractor Operators Manual This Massey Ferguson model 1105 Diesel Tractor Operator's Manual is a digitally enhanced reproduction of the original manufacturer-issued Owner's Manual. PLEASE ... MATHEMATICS-HIGHER LEVEL-PEARSON... ... - Amazon Developed specifically for the IB Diploma to provide complete coverage of the latest syllabus requirements and all the Higher Level options (which are available ... IB Diploma Maths | IB Maths Textbooks Developed for first teaching in 2019, our four new Mathematics Diploma titles fully support the new IB Mathematics Guide. Written for both new routes by IB ... Pearson Bacc HL Maths 2e bundle (2nd Edition) ... Pearson Bacc HL Maths 2e bundle (2nd Edition) (Pearson International Baccalaureate Diploma: ... - Access to all Mathematics Higher Level Options chapters online (... Pearson IB Mathematics Analysis and Approaches HL Pearson IB Mathematics Analysis and Approaches HL ... Developed for first teaching in 2019, our four new Mathematics Diploma titles are written by IB experts so ... Higher Level Mathematics Analysis and Approaches IB ... IB Diploma Higher Level is a comprehensive textbook covering the 2019 curriculum ... Mathematics. Analysis and Approaches HIGHER LEVEL. For the IB Diploma. SAMPLE. Pearson Baccalaureate Higher Level Mathematics second ... Pearson Baccalaureate Higher Level Mathematics second edition print and ebook bundle for the IB Diploma, 2nd edition. Ibrahim Wazir; Tim Garry. Pearson IB Mathematics Applications and Interpretation HL Pearson IB Mathematics Applications and Interpretation HL ... Developed for first teaching in 2019, our four new Mathematics Diploma titles are written by IB ... Mathematics Analysis and Approaches for the IB Diploma ... Mathematics Analysis and Approaches for the IB Diploma Higher Level. Pearson. Mathematics Analysis and Approaches for the IB Diploma Higher Level, 1st edition. Pearson Baccalaureate Higher Level Mathematics Second ... This comprehensive offering comprises a textbook covering the core material and the additional higher level material, all the

options via an online link, and an ... (PDF) MATHEMATICS-HIGHER LEVEL- PEARSON ... MATHEMATICS-HIGHER LEVEL- PEARSON BACCAULARETE FOR IB DIPLOMA PROGRAMS (Pearson International Baccalaureate Diploma: International E) by PRENTICE HALL.