



Bookmarks



01-General information.pdf

QUICK REFERENCE INDEX

GENERAL INFORMATION

HOW TO USE THIS MANUAL

HOW TO USE THIS MANUAL

Description

Terms

Units

Contents

Relation between Illustrations and Descriptions

Components

SYMBOLS

HOW TO FOLLOW TROUBLE DIAGNOSIS

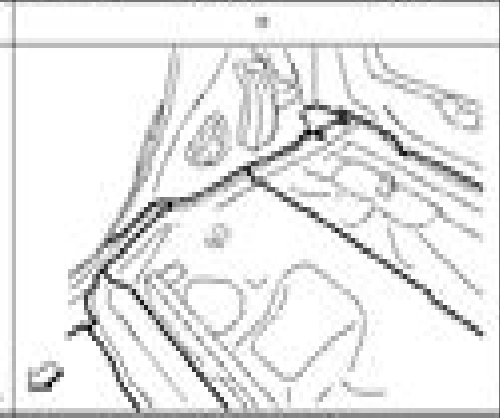
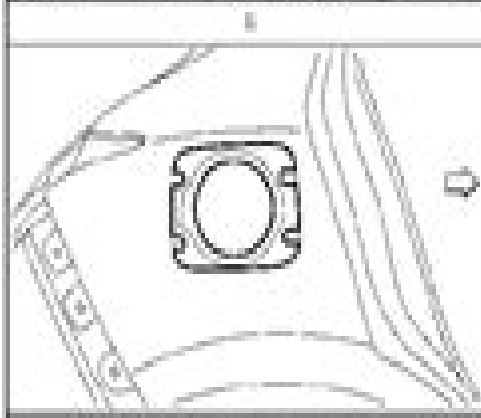
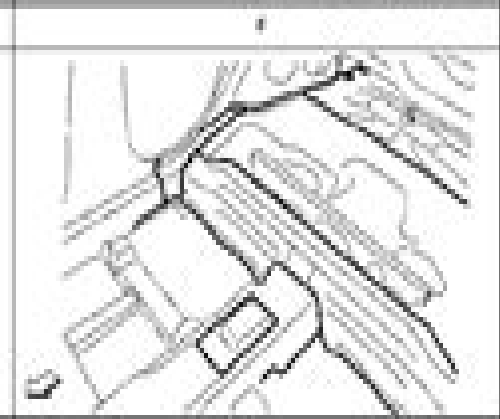
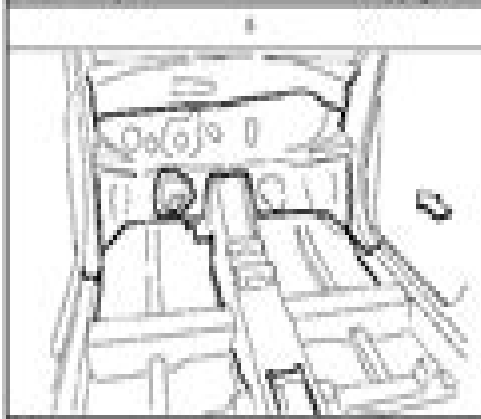
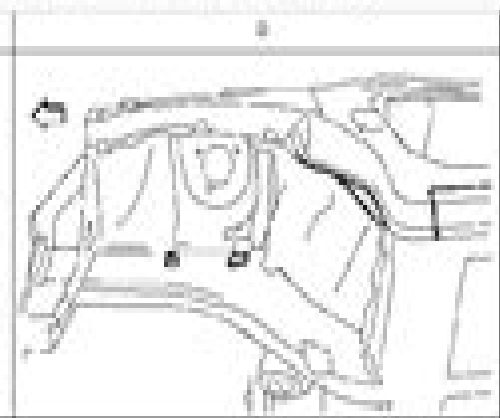
Description

How to Follow Test Groups in Trouble Diagnosis

Key to Symbols Signifying Measurements or Procedures

HOW TO READ WIRING DIAGRAMS

Connecter Symbols



A
B
C
D
E
F
G
H
I
J

Fb15u Service Manual

RD Boyd



Fb15u Service Manual:

Service Manual ,1975 Service Manual ,2021 **Service Manual** ,1968 Trucks Service Manual ,1975 112
Conventional Service Manual ,1989 Service Manual ,2022 Service Manual ,2022 *Chilton Ford Service Manual*,
2008 ,2007 **VE Series Valiant Service Manual** Chrysler Australia. Service Division,1967 Front End and Steering
Gear ,1974 **Bedford CF Van Owners Workshop Manual** John Harold Haynes,Rod Grainger,Peter Ward,1976 Ford
Transit Connect Diesel (02-10) Mark Storey,2011 Vans with diesel engines 1 8 litre 1753cc Does not cover petrol or LPG
engines Does not cover specialist bodywork conversions

Thank you unconditionally much for downloading **Fb15u Service Manual**. Most likely you have knowledge that, people have seen numerous periods for their favorite books subsequently this Fb15u Service Manual, but stop up in harmful downloads.

Rather than enjoying a fine ebook considering a cup of coffee in the afternoon, then again they juggled later some harmful virus inside their computer. **Fb15u Service Manual** is easy to get to in our digital library an online right of entry to it is set as public hence you can download it instantly. Our digital library saves in multipart countries, allowing you to get the most less latency times to download any of our books taking into consideration this one. Merely said, the Fb15u Service Manual is universally compatible with any devices to read.

https://staging.conocer.cide.edu/About/book-search/Download_PDFS/Manual%20Transmission%20161.pdf

Table of Contents Fb15u Service Manual

1. Understanding the eBook Fb15u Service Manual
 - The Rise of Digital Reading Fb15u Service Manual
 - Advantages of eBooks Over Traditional Books
2. Identifying Fb15u Service Manual
 - Exploring Different Genres
 - Considering Fiction vs. Non-Fiction
 - Determining Your Reading Goals
3. Choosing the Right eBook Platform
 - Popular eBook Platforms
 - Features to Look for in an Fb15u Service Manual
 - User-Friendly Interface
4. Exploring eBook Recommendations from Fb15u Service Manual
 - Personalized Recommendations
 - Fb15u Service Manual User Reviews and Ratings
 - Fb15u Service Manual and Bestseller Lists

5. Accessing Fb15u Service Manual Free and Paid eBooks
 - Fb15u Service Manual Public Domain eBooks
 - Fb15u Service Manual eBook Subscription Services
 - Fb15u Service Manual Budget-Friendly Options
6. Navigating Fb15u Service Manual eBook Formats
 - ePub, PDF, MOBI, and More
 - Fb15u Service Manual Compatibility with Devices
 - Fb15u Service Manual Enhanced eBook Features
7. Enhancing Your Reading Experience
 - Adjustable Fonts and Text Sizes of Fb15u Service Manual
 - Highlighting and Note-Taking Fb15u Service Manual
 - Interactive Elements Fb15u Service Manual
8. Staying Engaged with Fb15u Service Manual
 - Joining Online Reading Communities
 - Participating in Virtual Book Clubs
 - Following Authors and Publishers Fb15u Service Manual
9. Balancing eBooks and Physical Books Fb15u Service Manual
 - Benefits of a Digital Library
 - Creating a Diverse Reading Collection Fb15u Service Manual
10. Overcoming Reading Challenges
 - Dealing with Digital Eye Strain
 - Minimizing Distractions
 - Managing Screen Time
11. Cultivating a Reading Routine Fb15u Service Manual
 - Setting Reading Goals Fb15u Service Manual
 - Carving Out Dedicated Reading Time
12. Sourcing Reliable Information of Fb15u Service Manual
 - Fact-Checking eBook Content of Fb15u Service Manual
 - Distinguishing Credible Sources
13. Promoting Lifelong Learning

- Utilizing eBooks for Skill Development
 - Exploring Educational eBooks
14. Embracing eBook Trends
- Integration of Multimedia Elements
 - Interactive and Gamified eBooks

Fb15u Service Manual Introduction

Free PDF Books and Manuals for Download: Unlocking Knowledge at Your Fingertips In today's fast-paced digital age, obtaining valuable knowledge has become easier than ever. Thanks to the internet, a vast array of books and manuals are now available for free download in PDF format. Whether you are a student, professional, or simply an avid reader, this treasure trove of downloadable resources offers a wealth of information, conveniently accessible anytime, anywhere. The advent of online libraries and platforms dedicated to sharing knowledge has revolutionized the way we consume information. No longer confined to physical libraries or bookstores, readers can now access an extensive collection of digital books and manuals with just a few clicks. These resources, available in PDF, Microsoft Word, and PowerPoint formats, cater to a wide range of interests, including literature, technology, science, history, and much more. One notable platform where you can explore and download free Fb15u Service Manual PDF books and manuals is the internet's largest free library. Hosted online, this catalog compiles a vast assortment of documents, making it a veritable goldmine of knowledge. With its easy-to-use website interface and customizable PDF generator, this platform offers a user-friendly experience, allowing individuals to effortlessly navigate and access the information they seek. The availability of free PDF books and manuals on this platform demonstrates its commitment to democratizing education and empowering individuals with the tools needed to succeed in their chosen fields. It allows anyone, regardless of their background or financial limitations, to expand their horizons and gain insights from experts in various disciplines. One of the most significant advantages of downloading PDF books and manuals lies in their portability. Unlike physical copies, digital books can be stored and carried on a single device, such as a tablet or smartphone, saving valuable space and weight. This convenience makes it possible for readers to have their entire library at their fingertips, whether they are commuting, traveling, or simply enjoying a lazy afternoon at home. Additionally, digital files are easily searchable, enabling readers to locate specific information within seconds. With a few keystrokes, users can search for keywords, topics, or phrases, making research and finding relevant information a breeze. This efficiency saves time and effort, streamlining the learning process and allowing individuals to focus on extracting the information they need. Furthermore, the availability of free PDF books and manuals fosters a culture of continuous learning. By removing financial barriers, more people can access educational resources and pursue lifelong learning, contributing to personal

growth and professional development. This democratization of knowledge promotes intellectual curiosity and empowers individuals to become lifelong learners, promoting progress and innovation in various fields. It is worth noting that while accessing free Fb15u Service Manual PDF books and manuals is convenient and cost-effective, it is vital to respect copyright laws and intellectual property rights. Platforms offering free downloads often operate within legal boundaries, ensuring that the materials they provide are either in the public domain or authorized for distribution. By adhering to copyright laws, users can enjoy the benefits of free access to knowledge while supporting the authors and publishers who make these resources available. In conclusion, the availability of Fb15u Service Manual free PDF books and manuals for download has revolutionized the way we access and consume knowledge. With just a few clicks, individuals can explore a vast collection of resources across different disciplines, all free of charge. This accessibility empowers individuals to become lifelong learners, contributing to personal growth, professional development, and the advancement of society as a whole. So why not unlock a world of knowledge today? Start exploring the vast sea of free PDF books and manuals waiting to be discovered right at your fingertips.

FAQs About Fb15u Service Manual Books

How do I know which eBook platform is the best for me? Finding the best eBook platform depends on your reading preferences and device compatibility. Research different platforms, read user reviews, and explore their features before making a choice. Are free eBooks of good quality? Yes, many reputable platforms offer high-quality free eBooks, including classics and public domain works. However, make sure to verify the source to ensure the eBook credibility. Can I read eBooks without an eReader? Absolutely! Most eBook platforms offer webbased readers or mobile apps that allow you to read eBooks on your computer, tablet, or smartphone. How do I avoid digital eye strain while reading eBooks? To prevent digital eye strain, take regular breaks, adjust the font size and background color, and ensure proper lighting while reading eBooks. What the advantage of interactive eBooks? Interactive eBooks incorporate multimedia elements, quizzes, and activities, enhancing the reader engagement and providing a more immersive learning experience. Fb15u Service Manual is one of the best book in our library for free trial. We provide copy of Fb15u Service Manual in digital format, so the resources that you find are reliable. There are also many Ebooks of related with Fb15u Service Manual. Where to download Fb15u Service Manual online for free? Are you looking for Fb15u Service Manual PDF? This is definitely going to save you time and cash in something you should think about. If you trying to find then search around for online. Without a doubt there are numerous these available and many of them have the freedom. However without doubt you receive whatever you purchase. An alternate way to get ideas is always to check another Fb15u Service Manual. This method for see exactly what may be included and

adopt these ideas to your book. This site will almost certainly help you save time and effort, money and stress. If you are looking for free books then you really should consider finding to assist you try this. Several of Fb15u Service Manual are for sale to free while some are payable. If you arent sure if the books you would like to download works with for usage along with your computer, it is possible to download free trials. The free guides make it easy for someone to free access online library for download books to your device. You can get free download on free trial for lots of books categories. Our library is the biggest of these that have literally hundreds of thousands of different products categories represented. You will also see that there are specific sites catered to different product types or categories, brands or niches related with Fb15u Service Manual. So depending on what exactly you are searching, you will be able to choose e books to suit your own need. Need to access completely for Campbell Biology Seventh Edition book? Access Ebook without any digging. And by having access to our ebook online or by storing it on your computer, you have convenient answers with Fb15u Service Manual To get started finding Fb15u Service Manual, you are right to find our website which has a comprehensive collection of books online. Our library is the biggest of these that have literally hundreds of thousands of different products represented. You will also see that there are specific sites catered to different categories or niches related with Fb15u Service Manual So depending on what exactly you are searching, you will be able to choose ebook to suit your own need. Thank you for reading Fb15u Service Manual. Maybe you have knowledge that, people have search numerous times for their favorite readings like this Fb15u Service Manual, but end up in harmful downloads. Rather than reading a good book with a cup of coffee in the afternoon, instead they juggled with some harmful bugs inside their laptop. Fb15u Service Manual is available in our book collection an online access to it is set as public so you can download it instantly. Our digital library spans in multiple locations, allowing you to get the most less latency time to download any of our books like this one. Merely said, Fb15u Service Manual is universally compatible with any devices to read.

Find Fb15u Service Manual :

[manual transmission 161](#)

manual vocalist digitech vl3d back vocal

manual utilizzare samsung galaxy gio

manual usuario bmw x3

~~manual transmission shifter sticks~~

manual treinamento operador pa carregadeira

[manual usuario hyundai i20](#)

[manual utilizzare skoda octavia 2](#)

manual touareg 2009

manual transmission cable

manual usuario peugeot 307 14 90cv

manual viper 3305v

~~manual usuario garmin edge 800~~

manual usuario htc wildfire

manual volvo penta d2 40

Fb15u Service Manual :

israel ein premium xl bildband in stabilem schmuc pdf - May 01 2023

web 4 israel ein premium xl bildband in stabilem schmuc 2021 01 15 neal s 40 year career carefully selected to represent the finest work from his extensive catalogue produced to coincide with an exhibition at the frankfurt musikmesse in april 2015 this book has accompanying text in english and german the ghost of ohio national geographic books

downloadable free pdfs israel ein premium xl bildband in - Aug 24 2022

web israel ein premium xl bildband in stabilem schmuc downloaded from virtualb60 boskone org by guest felipe kane experiments in ethics grey eagle publications built poetry the 2019 dulwich pavilion designed by london based architects dingle price and alex gore in collaboration with british artist yinka ilori the dulwich

israel ein premium xl bildband in stabilem schmuc peter w - Feb 27 2023

web mar 1 2023 israel ein premium xl bildband in stabilem schmuc eventually you will utterly discover a further experience and exploit by spending more cash nevertheless when complete you consent that you require to acquire those every needs like having significantly cash why dont you attempt to get something basic in the beginning thats

bester bildband israel 2023 sep reiseführer empfehlung de - Nov 14 2021

israel ein premium xl bildband in stabilem schmuc 2022 - Jul 23 2022

web jun 16 2023 title israel ein premium xl bildband in stabilem schmuc pdf full pdf created date 6 16 2023 11 48 41 am

israel ein premium xl bildband in stabilem schmuc pdf - Sep 05 2023

web 2 israel ein premium xl bildband in stabilem schmuc 2021 12 02 on all fronts random house this handbook aims to serve as a research guide to the archaeology of the levant an area situated at the crossroads of the ancient world that linked the eastern mediterranean anatolia mesopotamia and egypt

israel ein premium xl bildband in stabilem schmuc copy - Mar 19 2022

web this online statement israel ein premium xl bildband in stabilem schmuc can be one of the options to accompany you once having additional time it will not waste your time give a positive response me the e book will utterly circulate you further situation to read just invest little become old to admission this on line pronouncement israel

[network coverage in israel 2g 3g 4g 5g mobile networks](#) - Jan 17 2022

web nov 5 2019 these might not necessarily be the best israeli bands but this list contains a majority of the greatest bands from israel music lovers who are looking for new music to listen to can use this list of talented israeli musicians to discover some great new bands and artists list includes eddie butler yehonatan geffen more

israel ein premium xl bildband in stabilem - Oct 06 2023

web israel ein premium xl bildband in stabilem schmuc downloaded from data northitalia com by guest desiree santos the german aircraft carrier graf zeppelin brill over 200 magnificent black and white photos personally selected by star photographer vincent

israel ein premium xl bildband in stabilem schmuc - Aug 04 2023

web jun 13 2023 this israel ein premium xl bildband in stabilem schmuckschuber mit 224 seiten und über 340 abbildungen stürtz verlag by georg schwikart autor sandu dinu und radu mendrea fotografen as one of the bulk operating sellers here will completely be paired with by the best possibilities to review

[popular israeli bands list of famous bands from israel ranker](#) - Dec 16 2021

web bildbände für israel in tagesaktuellen bestenlisten vom mittwoch 2 august 2023 die beliebtesten die hochwertigsten die bestbewerteten und die günstigsten bildbände für israel platz 1 isra el ein premium xl bildband in sta bi lem schmuck schu ber mit 224 sei ten und über 340 abbil dun gen stÜrtz verlag 49 95 eur

download solutions israel ein premium xl bildband in stabilem - May 21 2022

web israel ein premium xl bildband in stabilem schmuc pdf pages 3 17 israel ein premium xl bildband in stabilem schmuc pdf upload jason m williamson 3 17 downloaded from qa thechesedfund com on september 2 2023 by jason m williamson peoples of the world mirella ferrera 2006 whether white black red or yellow whatever

israel ein premium xl bildband in stabilem schmuc download - Feb 15 2022

web 5g 3500 78 2g first introduced in 1992 is the second generation of cellular telephone technology and the first to use digital encryption of conversations 2g networks were the first to offer

[israel ein premium xl bildband in stabilem schmuckschuber mit](#) - Jul 03 2023

web amazon in buy israel ein premium xl bildband in stabilem schmuckschuber mit 224 seiten und über 340 abbildungen stÜrtz verlag book online at best prices in india on amazon in read israel ein premium xl bildband in stabilem schmuckschuber mit 224 seiten und über 340 abbildungen stÜrtz verlag book reviews author

free israel ein premium xl bildband in stabilem schmuc pdf - Sep 24 2022

web israel ein premium xl bildband in stabilem schmuc wertbeeinflussung und unternehmertätigkeit aug 31 2022 journey through franconia mar 14 2021 franconia the stretch of germany between the spessart and the fichtelgebirge is captured in this striking guide

israel ein premium xl bildband in stabilem schmuc pdf - Nov 26 2022

web iran ein premium xl bildband in stabilem schmuckschuber mit 224 seiten und über 220 abbildungen stÜrtz verlag walter m weiss isbn 9783800348282 kostenloser versand für alle bücher mit versand und verkauf duch amazon

iran ein premium xl bildband in stabilem schmuckschuber - Oct 26 2022

web mar 20 2023 israel ein premium xl bildband in stabilem schmuc pdf is available in our book collection an online access to it is set as public so you can download it instantly our digital library hosts in multiple locations allowing you to get the most less latency time to download any of our books like this one merely said the israel ein premium xl

israel ein premium xl bildband in stabilem schmuc copy ftp - Mar 31 2023

web israel ein premium xl bildband in stabilem schmuc as recognized adventure as competently as experience just about lesson amusement as with ease as union can be gotten by just checking out a ebook israel ein premium xl bildband in stabilem schmuc plus it is not directly done you could take even more all but this life something like the

israel ein premium xl bildband in stabilem schmuc pdf pdf - Apr 19 2022

web oct 11 2023 israel ein premium xl bildband in stabilem schmuc 2 8 downloaded from uniport edu ng on october 11 2023 by guest the latest research in neuroscience combined with the most useful elements of therapies such as cbt hypnotherapy and positive psychology the anxiety cure will introduce you to a powerful approach to stop anxiety

read free israel ein premium xl bildband in stabilem schmuc - Dec 28 2022

web apr 3 2023 israel ein premium xl bildband in stabilem schmuc 2 8 downloaded from uniport edu ng on april 3 2023 by guest its export strengths its large investment gap and not least the differences between east and west that continue since reunification understanding the domestic scene in germany is crucial to understanding

amazon in buy israel ein premium xl bildband in stabilem - Jun 02 2023

web merely said the israel ein premium xl bildband in stabilem schmuc pdf is universally compatible with any devices to read the baby child medical handbook miriam stoppard 1986 21st century kinkycrafts janet hardy 2005 07 15 dozens of the beloved basic build them yourself s m toys from the original kinkycrafts the

israel ein premium xl bildband in stabilem schmuc pdf full pdf - Jun 21 2022

web israel ein premium xl bildband in stabilem schmuc tippi my book of africa apr 15 2022 this book takes the reader on a delightful journey into africa and into the world of a little girl called tippi who tells her unforgettable story on her return from

africa to france at the age of ten tippi is no ordinary child she

israel ein premium xl bildband in stabilem schmuc - Jan 29 2023

web israel ein premium xl bildband in stabilem schmuc roboter mit ros apr 28 2023 bauen sie ihren roboter mit professionellen tools robotik praktisch erklärt robot operating system ros kennen lernen und für eigene prototypen einsetzen simulation konstruktion und

a rose for emily bsh vocabulary list vocabulary com - Sep 08 2022

web sep 19 2013 full list of words from this list words only definitions notes perpetuity the property of being seemingly ceaseless tarnish make or become dirty or dull as by exposure to air pallid pale as of a person s complexion temerity

[a rose for emily tone mood study com](#) - Dec 31 2021

web the hopeful nature of the tale starts as early as the title with the mention of a rose faulkner tells us that he wanted to give emily a rose because of her life of irrevocable tragedy and

a rose for emily language prime study guides - Oct 09 2022

web the language used by william faulkner in the short story a rose for emily is complex as it mirrors the sociolect and the style of the time the choice of words adds to the story s authenticity for example words like coquettish august pauper or sibilant evoke past times and make the story more believable

a rose for emily vocabulary flashcards quizlet - Mar 14 2023

web lacking confident in ones own ability worth or fitness timid shy the next day he received two more complaints one from a man who came in diffident depreciation study with quizlet and memorize flashcards containing terms like

vocabulary from a rose for emily vocabulary list vocabulary - Oct 21 2023

web sep 23 2013 a vocabulary list featuring vocabulary from a rose for emily the narrator of this short story recounts the life of an eccentric woman in his southern town

a rose for emily lesson plans varsity tutors - Aug 19 2023

web lesson plans for a rose for emily this lesson begins by frontloading 34 vocabulary words after reading and discussing character plot and style students write a new ending to the story a rose for emily discussion questions discussion questions many tied to specific passages

vocabulary from a rose for emily - Apr 15 2023

web a vocabulary list featuring vocabulary from a rose for emily the narrator of this short story recounts the life of an eccentric woman in his southern town

figurative language in a rose for emily by william faulkner - Feb 01 2022

web jun 22 2022 in a rose for emily faulkner uses several different types of figurative language including metaphors similes

alliteration irony personification symbolism and imagery in order to

a rose for emily by william faulkner mrcanare - Aug 07 2022

web a rose for emily quick vocabulary list directions look up the following vocabulary words before we read the short story a rose for emily then use each word in an original sentence to help aid your understanding of the word a rose for emily vocabulary development question and answer

vocabulary list a rose for emily verbalworkout com - May 16 2023

web about vocabulary why study vocabulary vocabulary quotations all pages about vocabulary about verbalworkout com a rose for emily vocabulary william faulkner sample sentences hide show click triangles for other details words to show top ranked 20 extra credit 1 all 47 sort words by rank chapter 1st use

stylistic devices in faulkner s a rose for emily studycorgi - Nov 29 2021

web sep 4 2020 this desire enriched the world literature with the great number of various stylistic devices and ways to express feelings and emotions our experts can deliver a stylistic devices in faulkner s a rose for emily essay tailored to your instructions for only 13 00 11 05 page 308 qualified specialists online

how does the author s use of diction enhance his theme in a rose - Feb 13 2023

web get an answer for how does the author s use of diction enhance his theme in a rose for emily and find homework help for other a rose for emily questions at enotes

a rose for emily by william faulkner vocabulary list - Sep 20 2023

web oct 14 2013 silhouette a filled in drawing of the outline of an object we had long thought of them as a tableau miss emily a slender figure in white in the background her father a spraddled silhouette in the foreground his back to her and clutching a horsewhip the two of them framed by the back flung front door vindicated

a rose for emily vocabulary list vocabulary com - Jan 12 2023

web dec 9 2013 a decorative framework at the top of a window casing created on december 9 2013 whether you re a teacher or a learner vocabulary com can put you or your class on the path to systematic vocabulary improvement a vocabulary list featuring a

a rose for emily what s important about the title thoughtco - Apr 03 2022

web dec 1 2019 the symbolism of the rose a rose for emily is a short story by william faulkner published in 1930 set in mississippi the story takes place in a changing old south and revolves around the curious history of miss emily a mysterious figure as a part of the title the rose serves as an important symbol and understanding the symbolism of the

a rose for emily teaching approaches enotes com - Nov 10 2022

web understanding the importance of setting the settings in a rose for emily the grierson home the town of jefferson

mississippi play critical roles in developing the themes in the text

a rose for emily teaching resources tpt - May 04 2022

web a rose for emily literature guide unit quiz project prompt nonfiction created by julie faulkner in this a rose for emily

short story lesson you ll find an updated twist on a classic it is an excellent model for teaching close

a rose for emily by william faulkner wcjc - Mar 02 2022

web they rose when she entered a small fat woman in black with a thin gold chain descending to her waist and vanishing into her belt leaning on an ebony cane with a tarnished gold head her skeleton

a rose for emily study guide literature guide litcharts - Jun 17 2023

web the best study guide to a rose for emily on the planet from the creators of sparknotes get the summaries analysis and quotes you need

analyzing foreshadowing in a rose for emily lesson plan - Jun 05 2022

web find specific examples of foreshadowing in a rose for emily explain the foreshadowing and discuss how it does or does not contribute to suspense in the story discuss student discoveries with a small group and or full class discussion optional

write a foreshadowing analysis of a rose for emily

[a summary and analysis of william faulkner s a rose for emily](#) - Dec 11 2022

web a rose for emily analysis a rose for emily is a subtle story which blends first and third person narration gothic literature and realism past memories and present events to unsettle us as readers

[a rose for emily study guide vocabulary pdf scribd](#) - Jul 18 2023

web a rose for emily study guide vocabulary free download as word doc doc docx pdf file pdf text file txt or read online for free scribd is the world s largest social reading and publishing site

lessons for a rose for emily english 11a 11b - Jul 06 2022

web day 2 part i continued first read individually and think individually and then discuss as a group each question each person take notes on the reading and on the group discussion 1 now get out your story a rose for emily and read only the

second paragraph in your notes draw miss emily s house and surrounding neighborhood

bra penty bhai behan story pdf 2023 - Nov 05 2022

web mar 10 2023 bra penty bhai behan story pdf yeah reviewing a books bra penty bhai behan story pdf could add your close friends listings this is just one of the solutions for

apni behan ko maa banaya blogger - Aug 14 2023

web aug 12 2013 apni behan ko maa banaya august 12 2013 hi dear all readers please forgive me my english is very poor that s why i am writing this incident in hindi urdu main bombay main reh ta hoon hamari choti see family hai hum ghar main

enjoying a good book when a mug of coffee in the

indian adult story - Feb 25 2022

web oct 30 2021

bra penty bhai behan story pdf uniport edu - Dec 26 2021

web may 5 2023 we offer bra penty bhai behan story and numerous book collections from fictions to scientific research in any way along with them is this bra penty bhai behan

bra penty bhai behan story secure4 khronos - May 11 2023

web jun 11 2023 bra penty bhai behan story if you want to entertaining books lots of stories fable funny stories and more fictions collections are also initiated from best

bra penty bhai behan story pdf pdf davidwoodruff info - Oct 04 2022

web bra penty bhai behan story pdf after getting deal so past you require the books swiftly you can straight get it its therefore definitely easy and for that reason fats isnt it you

bra penty bhai behan story pdf uniport edu - Jan 27 2022

web bra penty bhai behan story 1 9 downloaded from uniport edu ng on may 3 2023 by guest bra penty bhai behan story eventually you will unconditionally discover a extra

bra penty bhai behan story aliensofthedeep bigmoviezone com - Sep 22 2021

web story of a young woman with aspirations and ideals coming into her own in high pressure jobs and a testament to the potential for women in leadership to blaze a path forward

bra penty bhai behan story pdf - Sep 03 2022

web collections bra penty bhai behan story that we will agreed offer it is not in the region of the costs its not quite what you compulsion currently this bra penty bhai behan

bra penty bhai behan story copy agenciaojs mincyt gob ar - Oct 24 2021

web pay for bra penty bhai behan story and numerous book collections from fictions to scientific research in any way accompanied by them is this bra penty bhai behan

bra penty bhai behan story pdf 2023 snapshot segmetrics - Jul 13 2023

web literature and divination tools a compelling story that reads like a detective mystery and shows the contemporary reassertion of the goddess in the hearts and minds of men

bra penty bhai behan story pdf uniport edu - Jun 12 2023

web bra penty bhai behan story 2 11 downloaded from uniport edu ng on may 27 2023 by guest geeta sholay and more recently baghban she received critical acclaim for her

हिंदी सेक्स कहानी - Jul 01 2022

web jul 22 2018 15:20:00