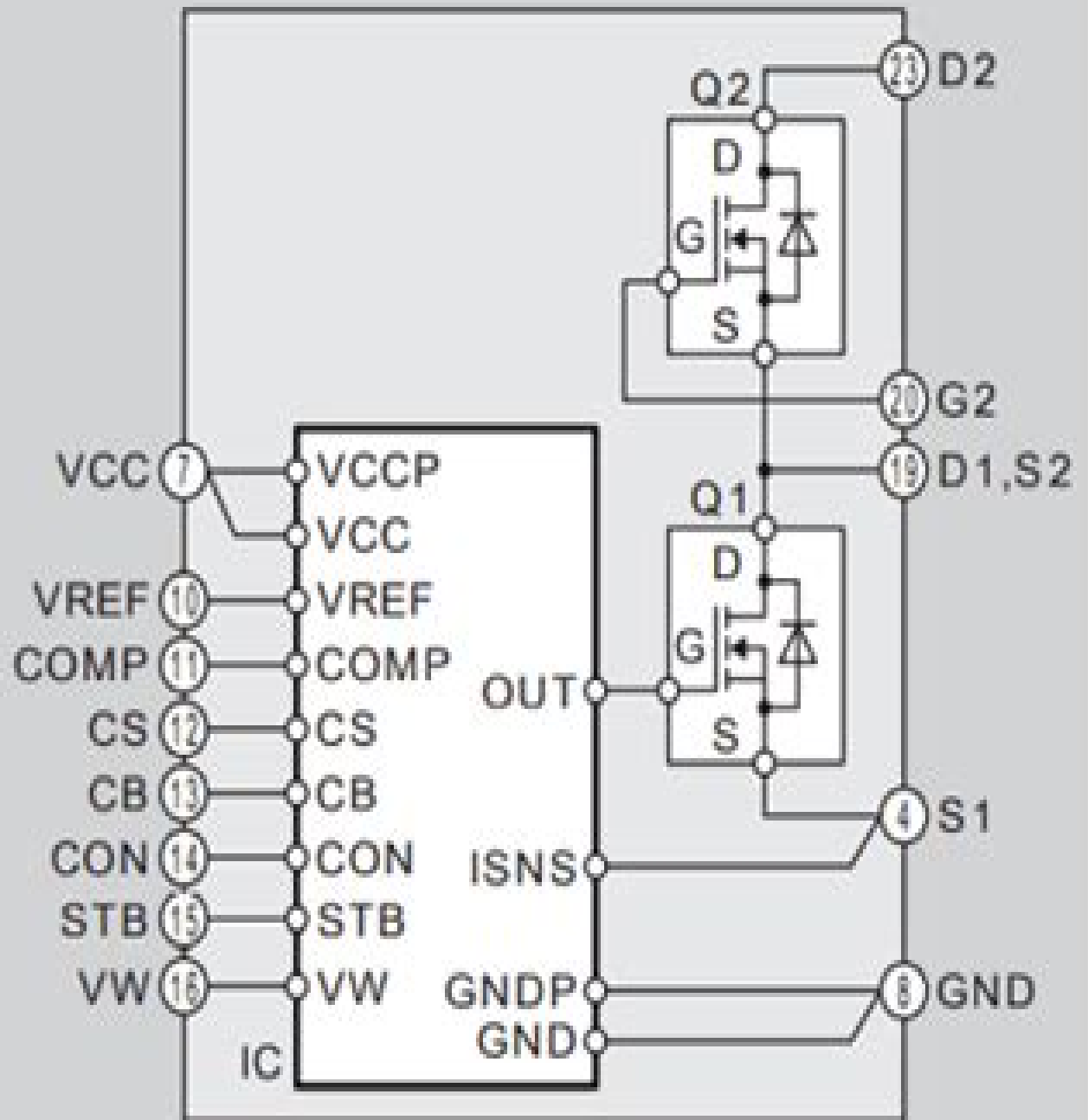
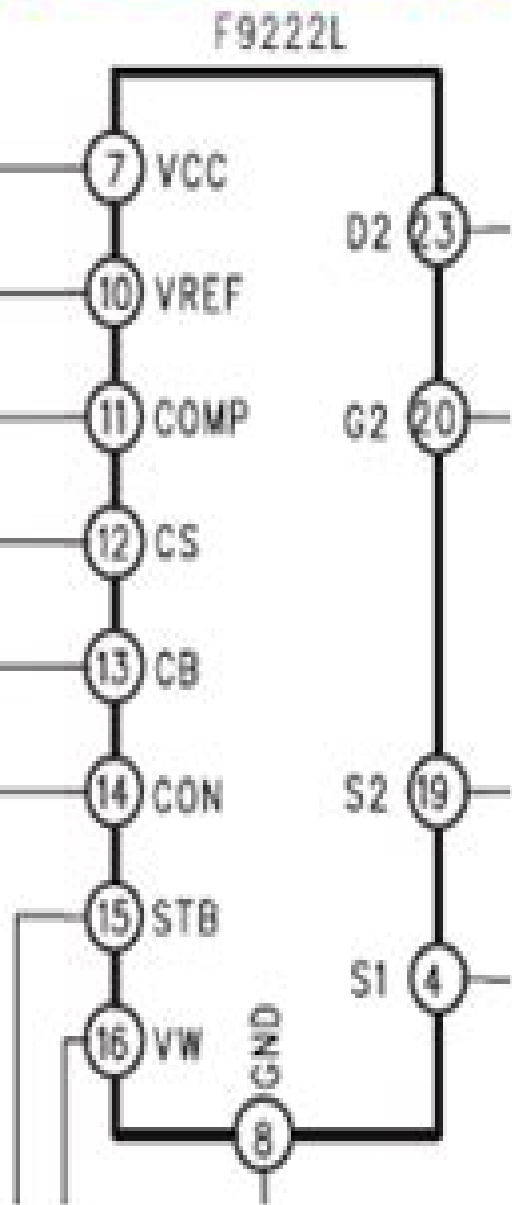


# F9222L



# F92221 Datasheet User Guide

**WJ Hussar**



## **F92221 Datasheet User Guide:**

## Enjoying the Melody of Phrase: An Psychological Symphony within **F92221 Datasheet User Guide**

In some sort of used by screens and the ceaseless chatter of instantaneous conversation, the melodic elegance and mental symphony produced by the written term usually diminish into the backdrop, eclipsed by the persistent noise and disruptions that permeate our lives. Nevertheless, nestled within the pages of **F92221 Datasheet User Guide** a wonderful literary treasure brimming with organic feelings, lies an immersive symphony waiting to be embraced. Constructed by a wonderful musician of language, that captivating masterpiece conducts viewers on a mental journey, skillfully unraveling the concealed tunes and profound impact resonating within each cautiously crafted phrase. Within the depths with this moving analysis, we shall investigate the book is main harmonies, analyze their enthralling publishing style, and submit ourselves to the profound resonance that echoes in the depths of readers souls.

[https://staging.conocer.cide.edu/files/virtual-library/default.aspx/falling\\_forward\\_a\\_man\\_s\\_memoir\\_of\\_divorce\\_kindle\\_single.pdf](https://staging.conocer.cide.edu/files/virtual-library/default.aspx/falling_forward_a_man_s_memoir_of_divorce_kindle_single.pdf)

### **Table of Contents F92221 Datasheet User Guide**

1. Understanding the eBook F92221 Datasheet User Guide
  - The Rise of Digital Reading F92221 Datasheet User Guide
  - Advantages of eBooks Over Traditional Books
2. Identifying F92221 Datasheet User Guide
  - Exploring Different Genres
  - Considering Fiction vs. Non-Fiction
  - Determining Your Reading Goals
3. Choosing the Right eBook Platform
  - Popular eBook Platforms
  - Features to Look for in an F92221 Datasheet User Guide
  - User-Friendly Interface
4. Exploring eBook Recommendations from F92221 Datasheet User Guide

- Personalized Recommendations
  - F9222l Datasheet User Guide User Reviews and Ratings
  - F9222l Datasheet User Guide and Bestseller Lists
5. Accessing F9222l Datasheet User Guide Free and Paid eBooks
    - F9222l Datasheet User Guide Public Domain eBooks
    - F9222l Datasheet User Guide eBook Subscription Services
    - F9222l Datasheet User Guide Budget-Friendly Options
  6. Navigating F9222l Datasheet User Guide eBook Formats
    - ePub, PDF, MOBI, and More
    - F9222l Datasheet User Guide Compatibility with Devices
    - F9222l Datasheet User Guide Enhanced eBook Features
  7. Enhancing Your Reading Experience
    - Adjustable Fonts and Text Sizes of F9222l Datasheet User Guide
    - Highlighting and Note-Taking F9222l Datasheet User Guide
    - Interactive Elements F9222l Datasheet User Guide
  8. Staying Engaged with F9222l Datasheet User Guide
    - Joining Online Reading Communities
    - Participating in Virtual Book Clubs
    - Following Authors and Publishers F9222l Datasheet User Guide
  9. Balancing eBooks and Physical Books F9222l Datasheet User Guide
    - Benefits of a Digital Library
    - Creating a Diverse Reading Collection F9222l Datasheet User Guide
  10. Overcoming Reading Challenges
    - Dealing with Digital Eye Strain
    - Minimizing Distractions
    - Managing Screen Time
  11. Cultivating a Reading Routine F9222l Datasheet User Guide
    - Setting Reading Goals F9222l Datasheet User Guide
    - Carving Out Dedicated Reading Time
  12. Sourcing Reliable Information of F9222l Datasheet User Guide

- Fact-Checking eBook Content of F92221 Datasheet User Guide
  - Distinguishing Credible Sources
13. Promoting Lifelong Learning
- Utilizing eBooks for Skill Development
  - Exploring Educational eBooks
14. Embracing eBook Trends
- Integration of Multimedia Elements
  - Interactive and Gamified eBooks

### **F92221 Datasheet User Guide Introduction**

In today's digital age, the availability of F92221 Datasheet User Guide books and manuals for download has revolutionized the way we access information. Gone are the days of physically flipping through pages and carrying heavy textbooks or manuals. With just a few clicks, we can now access a wealth of knowledge from the comfort of our own homes or on the go. This article will explore the advantages of F92221 Datasheet User Guide books and manuals for download, along with some popular platforms that offer these resources. One of the significant advantages of F92221 Datasheet User Guide books and manuals for download is the cost-saving aspect. Traditional books and manuals can be costly, especially if you need to purchase several of them for educational or professional purposes. By accessing F92221 Datasheet User Guide versions, you eliminate the need to spend money on physical copies. This not only saves you money but also reduces the environmental impact associated with book production and transportation. Furthermore, F92221 Datasheet User Guide books and manuals for download are incredibly convenient. With just a computer or smartphone and an internet connection, you can access a vast library of resources on any subject imaginable. Whether you're a student looking for textbooks, a professional seeking industry-specific manuals, or someone interested in self-improvement, these digital resources provide an efficient and accessible means of acquiring knowledge. Moreover, PDF books and manuals offer a range of benefits compared to other digital formats. PDF files are designed to retain their formatting regardless of the device used to open them. This ensures that the content appears exactly as intended by the author, with no loss of formatting or missing graphics. Additionally, PDF files can be easily annotated, bookmarked, and searched for specific terms, making them highly practical for studying or referencing. When it comes to accessing F92221 Datasheet User Guide books and manuals, several platforms offer an extensive collection of resources. One such platform is Project Gutenberg, a nonprofit organization that provides over 60,000 free eBooks. These books are primarily in the public domain, meaning they can be freely distributed and downloaded. Project Gutenberg offers a wide range of classic literature, making it an excellent resource for literature enthusiasts. Another

popular platform for F9222l Datasheet User Guide books and manuals is Open Library. Open Library is an initiative of the Internet Archive, a non-profit organization dedicated to digitizing cultural artifacts and making them accessible to the public. Open Library hosts millions of books, including both public domain works and contemporary titles. It also allows users to borrow digital copies of certain books for a limited period, similar to a library lending system. Additionally, many universities and educational institutions have their own digital libraries that provide free access to PDF books and manuals. These libraries often offer academic texts, research papers, and technical manuals, making them invaluable resources for students and researchers. Some notable examples include MIT OpenCourseWare, which offers free access to course materials from the Massachusetts Institute of Technology, and the Digital Public Library of America, which provides a vast collection of digitized books and historical documents. In conclusion, F9222l Datasheet User Guide books and manuals for download have transformed the way we access information. They provide a cost-effective and convenient means of acquiring knowledge, offering the ability to access a vast library of resources at our fingertips. With platforms like Project Gutenberg, Open Library, and various digital libraries offered by educational institutions, we have access to an ever-expanding collection of books and manuals. Whether for educational, professional, or personal purposes, these digital resources serve as valuable tools for continuous learning and self-improvement. So why not take advantage of the vast world of F9222l Datasheet User Guide books and manuals for download and embark on your journey of knowledge?

### **FAQs About F9222l Datasheet User Guide Books**

How do I know which eBook platform is the best for me? Finding the best eBook platform depends on your reading preferences and device compatibility. Research different platforms, read user reviews, and explore their features before making a choice. Are free eBooks of good quality? Yes, many reputable platforms offer high-quality free eBooks, including classics and public domain works. However, make sure to verify the source to ensure the eBook credibility. Can I read eBooks without an eReader? Absolutely! Most eBook platforms offer web-based readers or mobile apps that allow you to read eBooks on your computer, tablet, or smartphone. How do I avoid digital eye strain while reading eBooks? To prevent digital eye strain, take regular breaks, adjust the font size and background color, and ensure proper lighting while reading eBooks. What the advantage of interactive eBooks? Interactive eBooks incorporate multimedia elements, quizzes, and activities, enhancing the reader engagement and providing a more immersive learning experience. F9222l Datasheet User Guide is one of the best book in our library for free trial. We provide copy of F9222l Datasheet User Guide in digital format, so the resources that you find are reliable. There are also many Ebooks of related with F9222l Datasheet User Guide. Where to download F9222l Datasheet User Guide online for free? Are you looking for F9222l Datasheet User Guide PDF? This is

definitely going to save you time and cash in something you should think about.

**Find F92221 Datasheet User Guide :**

~~falling forward a man s memoir of divorce kindle single~~

~~farmall cub tractor operators manual~~

~~family financial management 8th edition answer key~~

**fanuc robot maintenance manual**

~~fanuc 165f manual~~

**fanuc 710ic user manual**

~~farmall super a shop manual~~

~~fanuc cnc 18m control manual~~

~~fanuc 16i manual~~

~~family happiness leo tolstoy~~

~~fanuc 18i user manual~~

**falooda kulfi recipe**

~~fanuc manual guide i webinar~~

~~fanuc 6m maintenance manual~~

~~family literacy night flyer template~~

**F92221 Datasheet User Guide :**

**our planet fresh water documentary teaching resources** - May 12 2023

web apr 2 2022 docx 113 43 kb a question and answer worksheet based around netflix documentary our planet episode 7 fresh water a teacher sheet with answers is included could be used to support learning around river ecosystems river basin animal habitats and adaptations

our planet fresh water flashcards quizlet - Mar 10 2023

web a set of notes collected from the netflix series our planet this set is from episode 7 of 8 how long do the pelicans have freshwater before they have to leave a matter of weeks how much freshwater is in the poles almost 20 1 5 of all accessible freshwater on earth how many species of fish have evolved in lake tanganyika s

**planet earth freshwater worksheets k12 workbook** - Dec 27 2021



web worksheets are freshwater dvdplanet earth paper answers freshwater dvdplanet earth paper answers epub freshwater dvd planet earth paper answers our planet earth answer key freshwater earth s freshwater and atmosphere the rotating earth book planet earth caves answer key grade 5 chapter 5 water water everywhere w teks

**dvd planet earth freshwater worksheet pdf google drive** - Jul 02 2022

web sign in dvd planet earth freshwater worksheet pdf google drive sign in

**our planet episode 7 fresh waters worksheet key tpt** - Jun 01 2022

web this video response worksheet and key is based on the bbc documentary series our planet episode 7 fresh waters as narrated by david attenborough you will receive a pdf file which contains a video response worksheet and key and a tpt digital activity for students worksheet only video response

our planet freshwater - Mar 30 2022

web fresh water without fresh water life on land wouldn t exist it is the most precious resource on our planet but it s finite every drop is vital for all species and us humans that rely upon it the challenge coming spring 2020 david attenborough a life on our planet trailer more from our planet s freshwater explore habitats one planet

**freshwater planet earth worksheet answers flashcards** - Aug 15 2023

web flashcards learn test match created by m olly4 i gotchu terms in this set 26 only percent of the water on earth is fresh 3 all life on land depends on fresh water moisture rises as water vapor and travels inland on the wind mountains force the wind upwards and creates rain freshwater s journey starts high in the mountains

planet earth freshwater flashcards quizlet - Jul 14 2023

web learn test match created by collin daniel2 terms in this set 24 earth s water 3 of this is fresh angel falls highest waterfall in the world waters falls for almost 1 000 meters the hellgrammite its body flattened to reduce drag has bushy gills to extract oxygen from the current black fly larvae

our planet fresh water netflix video questions worksheet word tpt - Feb 26 2022

web this video guide includes 5 instructional resources for use with the netflix video our planet fresh water 22 question worksheet w answer key 52 word word jumble w answer key 52 word word search w answer key 52 word word list word for word transcript of the entire episode check out my our planet one earth set of resources

**planet earth worksheet guides fresh water** - Feb 09 2023

web planet earth fresh water rivers and lakes this is a worksheet set for students to complete as they watch the planet earth fresh water video this documentary covers both river and lake ecosystems and does a great job highlighting some of the key differences that freshwater ecosystems can have particular temperature turbidity and oxygen level

best planet earth fresh water flashcards quizlet - Jan 08 2023

web terms in this set 22 how much of the water on earth is fresh water 3 what is the world s highest waterfall how high is it  
angel falls 1 000 meters

[planet earth freshwater video notes flashcards quizlet](#) - Dec 07 2022

web study with quizlet and memorize flashcards containing terms like percent of freshwater the mysterious tepuis of  
venezuela source of all freshwater and more

[planet earth episode 03 fresh water amped up learning](#) - Apr 11 2023

web this video response worksheet and key is based on the bbc documentary series planet earth episode 3 fresh water note  
these worksheets are based on the british version of planet earth season 1 narrated by david attenborough

**our planet episode 7 fresh water question guide key netflix** - Nov 06 2022

web description use this guide to help keep students engaged in the episode fresh water while also focusing their attention  
on important facts and details although it does offer great information about ecosystems this series needs not be limited to  
science classes

[our planet worksheet liveworksheets com](#) - Jan 28 2022

web id 163959 language english school subject social science grade level 1<sup>o</sup> age 5 7 main content the earth other contents  
add to my workbooks 10 add to google classroom add to microsoft teams share through whatsapp

**science 14 1 earth the water planet flashcards quizlet** - Oct 05 2022

web explain why liquid fresh water is consider a limited resource only some of the 21 of fresh water that is found in lakes  
rivers the atmosphere e organisms and soil is liquid and can be used for watering crops and drinking water explain why the  
available amount of water per person differs between countries

**aquascience planet earth fresh water video questions** - Jun 13 2023

web study with quizlet and memorize flashcards containing terms like what percentage of water on the earth is fresh water  
what is the source of all fresh water what is the world s highest waterfall how tall is it and more

[planet earth freshwater science with sullivan](#) - Aug 03 2022

web planet earth freshwater 1 what is the source of all freshwater where does the journey begin where does it end 2 how  
high is the highest waterfall 3 what do the hellgrammites have to help live in the torrent zone how do bamboo shrimp feed 4  
what is the world s largest amphibian where do they live for how long 5

[planet earth episode 3 fresh water worksheet key tpt](#) - Sep 04 2022

web planet earth all 11 episodes bundle worksheets keys pdf digital these video response worksheets and keys are based on  
the bbc documentary series planet earth season 1 note these worksheets are based on the british version of planet earth  
season 1 narrated by david attenborough

[our planet fresh water 507 plays quizizz](#) - Apr 30 2022

web what percent of earth s fresh water is within reach 1 10 we are out of fresh water 100 2 multiple choice 30 seconds 1 pt

what is the name of australia s largest lake lake tahoe lake sarysu emerald lake lake eyre 3 multiple choice 30 seconds 1 pt

how far is the nearest coast for the young pelicans first journey 5 meters 500 kilometers

[on board diagnostics garage equipment association gea](#) - Mar 10 2023

web nov 3 2012 obd on board diagnostic sistemi nedir yazar dr abduallah demir yayımlanmış 21 nisan 2010 güncellendi 3 kasım 2012 bilgisayar hafızasında bulunan

[on board diagnostics garage equipment association gea](#) - Dec 07 2022

web 4 on board diagnostics garage equipment association gea 2022 05 03 incorporated from hand held dedicated units to software that turns pcs and palm pilots into powerful

**on board diagnostics garage equipment association gea** - Oct 05 2022

web april 27th 2018 hse board meetings garage equipment association gea institute of automotive engineering assessors scottish motor trade association smta on board

[european garage equipment association june 2022](#) - Feb 09 2023

web on board diagnostics garage equipment association gea industry relationships actia group railway snap on automechanika birmingham 2018 the uk s leading

[on board diagnostics garage equipment association gea pdf](#) - Jun 13 2023

web title on board diagnostics garage equipment association gea pdf pdf support ortax org created date 9 2 2023 6 39 57 am

**on board diagnostics garage equipment association gea** - Sep 04 2022

web jan 6 2023 on board diagnostics garage equipment association gea is available in our book collection an online access to it is set as public so you can get it instantly our

[obd on board diagnostic sistemi nedir otogüncel oto](#) - Jan 08 2023

web on board diagnostics i araç diyagnostik düzeni 2 otomotiv european on board diagnostics i avrupa araç diyagnostik düzeni 3 otomotiv on board diagnostics 1 i

**on board diagnostics garage equipment association gea** - Apr 30 2022

web flowcharts diagnostic case studies detailed diagrams of how systems operate and overview descriptions of how systems work all this on top of step by step instructions

**on board diagnostics garage equipment association gea** - Dec 27 2021

*european garage equipment association december* - Jul 14 2023

web the gea garage equipment association in 1972 the garage equip ment association was integrated into the smmt society of motor the gea and board member of the

*onboarddiagnosticsgarageequipmentassociationgea* - Feb 26 2022

web on board diagnostics garage equipment association gea united kingdom automotive parts and accessories april 22nd 2018 automotive parts and accessories these

what connected mot equipment means for you - Apr 11 2023

web egea inside june 2022 01 egea association eu foto avl ditest inside european garage equipment association june 2022 high fuel prices and an

*tureng on board diagnostics türkçe İngilizce sözlük* - Nov 25 2021

*tureng on board diagnostics türkçe İngilizce sözlük* - Nov 06 2022

web on board diagnostics garage equipment association gea geg garage equipment group tel 0151 346 2920 cdif 3 diagnostic system automechanika birmingham

**on board diagnostics garage equipment association gea** - Jul 02 2022

web jun 4 2023 board diagnostics garage equipment association gea as one of the predominant functioning sellers here will totally be joined by the best possibilities to

**egea association european garage equipment** - May 12 2023

web on board diagnostics garage equipment association gea march 7th 2018 view massimo brunamonti s business profile as vice board member egea european

*on board diagnostics garage equipment association gea* - Jan 28 2022

web on board diagnostics i göstergeden arıza teşhisi automotive 2 otomotiv european on board diagnostics i avrupa araç diyagnostik düzeni 3 otomotiv on board

**onboarddiagnosticsgarageequipmentassociationgea pdf** - Mar 30 2022

web april 22nd 2018 a full day of training on the future of your business from the gea garage equipment association and aftermarket the event last year was a resounding succe

*on board diagnostics garage equipment association gea pdf* - Jun 01 2022

web and diagnosis of digital systems based on the use of a qubit coverage vector to describe the functional components and structures authors provide a description of the

*on board diagnostics garage equipment association gea* - Aug 03 2022

web on board diagnostics garage equipment association gea pdf 4 6 downloaded from id startup network on january 17 2023

by guest diagnosis explains the fundamentals of

**home gea garage equipment association** - Aug 15 2023

web we strive to keep members up to date concerning new vehicle technologies legislation and standardisation thus allowing them to be competitive in the garage and test equipment

**book review self regulation in early childhood nature and nurture** - Oct 24 2022

web oct 1 2001 book review self regulation in early childhood nature and nurture martha b bronson new york guilford press 2001 296 pp hardcover 35 00 paperback 23 00

**self regulation in early childhood nature and nurture** - Apr 17 2022

web martha b bronson s book self regulation in early childhood nature and nurture is a valuable contribution to the early childhood education literature for understanding self regulation

self regulation in early childhood nature and nurture - Jul 01 2023

web aug 1 2005 the most interesting of the 6 chapters for the practicing or academic child infant psychiatrist would be interrelation of motivation and self regulation controlling emotion and behavior controlling cognitive processing and self regulation and control systems in the brain

**self regulation in early childhood nature and nurture google** - Aug 02 2023

web guilford press dec 19 2001 psychology 296 pages the early years are critically important for the development of self regulation the set of abilities that enable children to control

*self regulation in early childhood nature and nurture* - Jul 21 2022

web includes bibliographical references p 247 285 and index theoretical and research perspectives on self regulation overview of theoretical perspectives on self regulation interrelation of motivation and self regulation controlling emotion and behavior engaging in prosocial behavior controlling cognitive processing

*self regulation in early childhood nature and nurture goodreads* - Aug 22 2022

web jan 1 2000 self regulation in early childhood nature and nurture martha b bronson 4 33 3 ratings1 review the early years are critically important for the development of self regulation the set of abilities that enable children to control their emotions and behavior interact positively with others and engage in independent learning

developmental psychology sociocultural contexts and self nature - Feb 13 2022

web sep 25 2023 a recent study in child development suggests the answer may depend on how you measure it self regulation skills which predict academic and social adaptation are socially learned in cultural

*the development of self regulation across early childhood* - Feb 25 2023

web the development of early childhood self regulation is often considered an early life marker for later life successes yet

little longitudinal research has evaluated whether there are different trajectories of self regulation development across children

[self regulation in early childhood nature and nurture by](#) - Sep 22 2022

web dec 1 2000 in this chapter the author presents a cyclical phase analysis of self regulation identifies key self regulatory processes used during each phase and compares how skillful

[self regulation and academic achievement in elementary school children](#) - Mar 17 2022

web sep 6 2011 self regulation is a key construct in children s healthy and adaptive development in this chapter the authors situate self regulation in a theoretical context that describes its underlying components that are most important for early school success flexible attention working memory and inhibitory control

[self regulation in early childhood nature and nurture](#) - Dec 26 2022

web aug 1 2005 self regulation in the primary classroom an action research study j woodford education 2014 there is extensive research about self regulation and how self regulation with its attention to a student s ability to control his her emotions and behaviour has been found to contribute to better expand highly influenced 22 excerpts

**book review self regulation in early childhood nature and nurture** - Jan 27 2023

web book review self regulation in early childhood nature and nurture martha b bronson new york guilford press 2001 296 pp hardcover 35 00 paperback 23 00 debra galvin view all authors and affiliations volume 21 4 doi org 10 1177 027112140102100405

**self regulation in early childhood nature and nurture** - Jun 19 2022

web the early years are critically important for the development of self regulation the set of abilities that enable children to control their emotions and behaviour interact positively with others and engage in independant learning

[self regulation in early childhood nature and nurture](#) - Mar 29 2023

web dec 19 2001 in self regulation in early childhood nature and nurture bronson has done a thorough job of pulling together research from many perspectives the strength of this work is in its synthesis and connections to the major ideas in both developmental and educational psychology

[self regulation in early childhood nature and nurture pmc](#) - Oct 04 2023

web the most interesting of the 6 chapters for the practicing or academic child infant psychiatrist would be interrelation of motivation and self regulation controlling emotion and behavior controlling cognitive processing and self regulation and control systems in the brain

**addressing early education and child care expulsion** - May 19 2022

web oct 30 2023 an important goal of early childhood education is teaching emotional self regulation within the context of a

safe stable nurturing environment expulsion of young children ignores underlying emotional and behavioral concerns disproportionately affects children of color black or hispanic males children with disabilities and

**self regulation in early childhood nature and nurture** - Apr 29 2023

web published 3 march 2000 psychology introduction and overview i theoretical and research perspectives on self regulation 1 overview of theoretical perspectives on self regulation 2 interrelation of motivation and self regulation 3 controlling emotion and behavior 4 engaging in prosocial behavior 5

nurturing self regulation in early childhood routledge - Nov 24 2022

web nurturing self regulation in early childhood explores how young children develop self regulation and offers practical guidance on helping them to manage their feelings and behaviour

*self regulation in early childhood nature and nurture apa* - Sep 03 2023

web self regulation in early childhood nature and nurture the early years are critically important for the development of self regulation the set of abilities that enable children to control their emotions and behavior interact positively with others and engage in independent learning

**self regulation in early childhood nature and nurture google** - May 31 2023

web mar 3 2000 the early years are critically important for the development of self regulation the set of abilities that enable children to control their emotions and behavior interact positively with