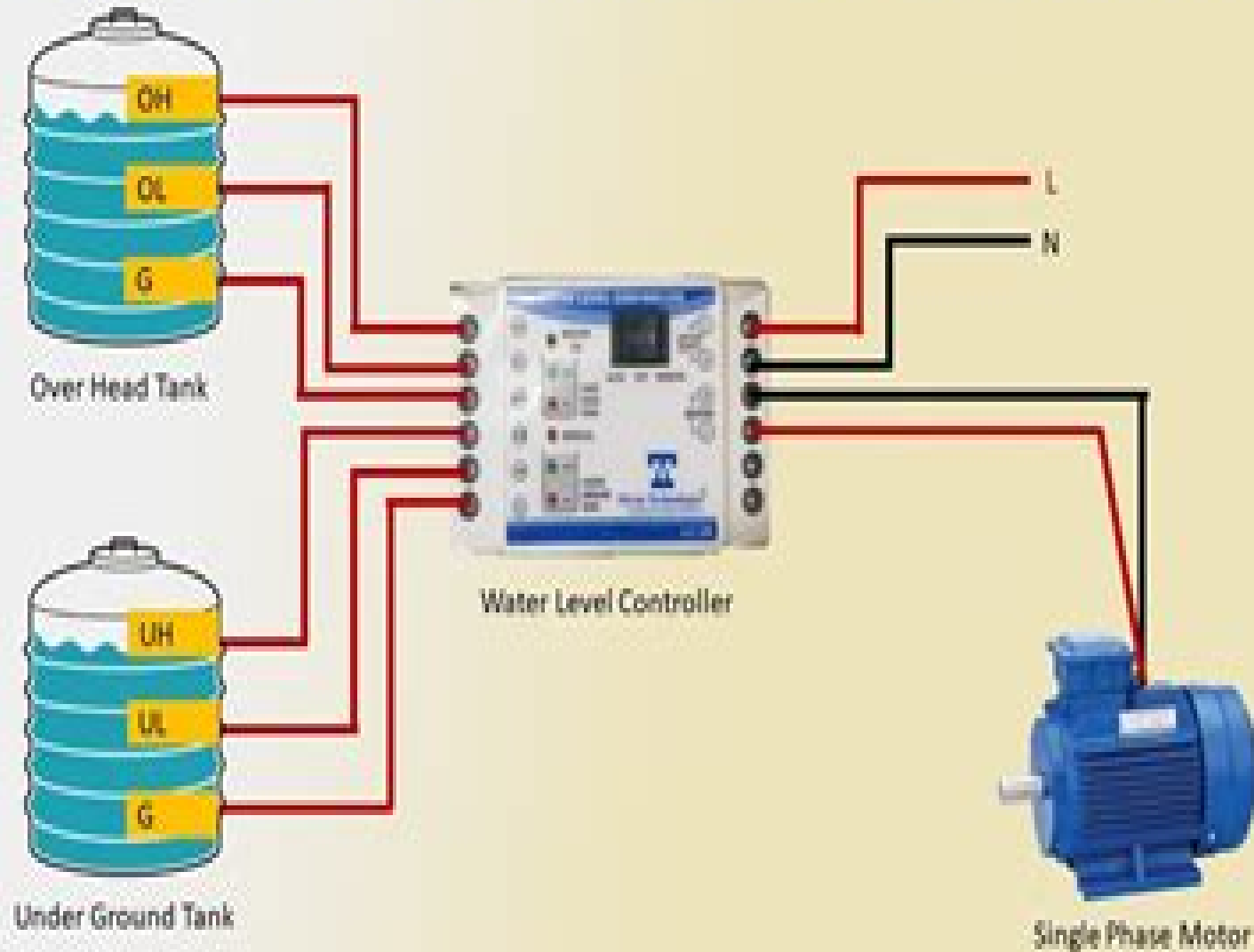


# Fully Automatic Water Level Controller Wiring



# Manual For Automatic Water Level Controller

**AW Rasmussen**



## **Manual For Automatic Water Level Controller:**

Uncover the mysteries within Explore with is enigmatic creation, **Manual For Automatic Water Level Controller** . This downloadable ebook, shrouded in suspense, is available in a PDF format ( \*). Dive into a world of uncertainty and anticipation. Download now to unravel the secrets hidden within the pages.

[https://staging.conocer.cide.edu/About/publication/fetch.php/Motor\\_Trade\\_Company\\_Profile.pdf](https://staging.conocer.cide.edu/About/publication/fetch.php/Motor_Trade_Company_Profile.pdf)

## **Table of Contents Manual For Automatic Water Level Controller**

1. Understanding the eBook Manual For Automatic Water Level Controller
  - The Rise of Digital Reading Manual For Automatic Water Level Controller
  - Advantages of eBooks Over Traditional Books
2. Identifying Manual For Automatic Water Level Controller
  - Exploring Different Genres
  - Considering Fiction vs. Non-Fiction
  - Determining Your Reading Goals
3. Choosing the Right eBook Platform
  - Popular eBook Platforms
  - Features to Look for in an Manual For Automatic Water Level Controller
  - User-Friendly Interface
4. Exploring eBook Recommendations from Manual For Automatic Water Level Controller
  - Personalized Recommendations
  - Manual For Automatic Water Level Controller User Reviews and Ratings
  - Manual For Automatic Water Level Controller and Bestseller Lists
5. Accessing Manual For Automatic Water Level Controller Free and Paid eBooks
  - Manual For Automatic Water Level Controller Public Domain eBooks
  - Manual For Automatic Water Level Controller eBook Subscription Services
  - Manual For Automatic Water Level Controller Budget-Friendly Options
6. Navigating Manual For Automatic Water Level Controller eBook Formats

- ePub, PDF, MOBI, and More
  - Manual For Automatic Water Level Controller Compatibility with Devices
  - Manual For Automatic Water Level Controller Enhanced eBook Features
7. Enhancing Your Reading Experience
    - Adjustable Fonts and Text Sizes of Manual For Automatic Water Level Controller
    - Highlighting and Note-Taking Manual For Automatic Water Level Controller
    - Interactive Elements Manual For Automatic Water Level Controller
  8. Staying Engaged with Manual For Automatic Water Level Controller
    - Joining Online Reading Communities
    - Participating in Virtual Book Clubs
    - Following Authors and Publishers Manual For Automatic Water Level Controller
  9. Balancing eBooks and Physical Books Manual For Automatic Water Level Controller
    - Benefits of a Digital Library
    - Creating a Diverse Reading Collection Manual For Automatic Water Level Controller
  10. Overcoming Reading Challenges
    - Dealing with Digital Eye Strain
    - Minimizing Distractions
    - Managing Screen Time
  11. Cultivating a Reading Routine Manual For Automatic Water Level Controller
    - Setting Reading Goals Manual For Automatic Water Level Controller
    - Carving Out Dedicated Reading Time
  12. Sourcing Reliable Information of Manual For Automatic Water Level Controller
    - Fact-Checking eBook Content of Manual For Automatic Water Level Controller
    - Distinguishing Credible Sources
  13. Promoting Lifelong Learning
    - Utilizing eBooks for Skill Development
    - Exploring Educational eBooks
  14. Embracing eBook Trends
    - Integration of Multimedia Elements
    - Interactive and Gamified eBooks

## Manual For Automatic Water Level Controller Introduction

Free PDF Books and Manuals for Download: Unlocking Knowledge at Your Fingertips In today's fast-paced digital age, obtaining valuable knowledge has become easier than ever. Thanks to the internet, a vast array of books and manuals are now available for free download in PDF format. Whether you are a student, professional, or simply an avid reader, this treasure trove of downloadable resources offers a wealth of information, conveniently accessible anytime, anywhere. The advent of online libraries and platforms dedicated to sharing knowledge has revolutionized the way we consume information. No longer confined to physical libraries or bookstores, readers can now access an extensive collection of digital books and manuals with just a few clicks. These resources, available in PDF, Microsoft Word, and PowerPoint formats, cater to a wide range of interests, including literature, technology, science, history, and much more. One notable platform where you can explore and download free Manual For Automatic Water Level Controller PDF books and manuals is the internet's largest free library. Hosted online, this catalog compiles a vast assortment of documents, making it a veritable goldmine of knowledge. With its easy-to-use website interface and customizable PDF generator, this platform offers a user-friendly experience, allowing individuals to effortlessly navigate and access the information they seek. The availability of free PDF books and manuals on this platform demonstrates its commitment to democratizing education and empowering individuals with the tools needed to succeed in their chosen fields. It allows anyone, regardless of their background or financial limitations, to expand their horizons and gain insights from experts in various disciplines. One of the most significant advantages of downloading PDF books and manuals lies in their portability. Unlike physical copies, digital books can be stored and carried on a single device, such as a tablet or smartphone, saving valuable space and weight. This convenience makes it possible for readers to have their entire library at their fingertips, whether they are commuting, traveling, or simply enjoying a lazy afternoon at home. Additionally, digital files are easily searchable, enabling readers to locate specific information within seconds. With a few keystrokes, users can search for keywords, topics, or phrases, making research and finding relevant information a breeze. This efficiency saves time and effort, streamlining the learning process and allowing individuals to focus on extracting the information they need. Furthermore, the availability of free PDF books and manuals fosters a culture of continuous learning. By removing financial barriers, more people can access educational resources and pursue lifelong learning, contributing to personal growth and professional development. This democratization of knowledge promotes intellectual curiosity and empowers individuals to become lifelong learners, promoting progress and innovation in various fields. It is worth noting that while accessing free Manual For Automatic Water Level Controller PDF books and manuals is convenient and cost-effective, it is vital to respect copyright laws and intellectual property rights. Platforms offering free downloads often operate within legal boundaries, ensuring that the materials they provide are either in the public domain or authorized for distribution. By adhering to copyright laws, users can enjoy the benefits of free access to knowledge while

supporting the authors and publishers who make these resources available. In conclusion, the availability of Manual For Automatic Water Level Controller free PDF books and manuals for download has revolutionized the way we access and consume knowledge. With just a few clicks, individuals can explore a vast collection of resources across different disciplines, all free of charge. This accessibility empowers individuals to become lifelong learners, contributing to personal growth, professional development, and the advancement of society as a whole. So why not unlock a world of knowledge today? Start exploring the vast sea of free PDF books and manuals waiting to be discovered right at your fingertips.

### **FAQs About Manual For Automatic Water Level Controller Books**

How do I know which eBook platform is the best for me? Finding the best eBook platform depends on your reading preferences and device compatibility. Research different platforms, read user reviews, and explore their features before making a choice. Are free eBooks of good quality? Yes, many reputable platforms offer high-quality free eBooks, including classics and public domain works. However, make sure to verify the source to ensure the eBook credibility. Can I read eBooks without an eReader? Absolutely! Most eBook platforms offer webbased readers or mobile apps that allow you to read eBooks on your computer, tablet, or smartphone. How do I avoid digital eye strain while reading eBooks? To prevent digital eye strain, take regular breaks, adjust the font size and background color, and ensure proper lighting while reading eBooks. What the advantage of interactive eBooks? Interactive eBooks incorporate multimedia elements, quizzes, and activities, enhancing the reader engagement and providing a more immersive learning experience. Manual For Automatic Water Level Controller is one of the best book in our library for free trial. We provide copy of Manual For Automatic Water Level Controller in digital format, so the resources that you find are reliable. There are also many Ebooks of related with Manual For Automatic Water Level Controller. Where to download Manual For Automatic Water Level Controller online for free? Are you looking for Manual For Automatic Water Level Controller PDF? This is definitely going to save you time and cash in something you should think about. If you trying to find then search around for online. Without a doubt there are numerous these available and many of them have the freedom. However without doubt you receive whatever you purchase. An alternate way to get ideas is always to check another Manual For Automatic Water Level Controller. This method for see exactly what may be included and adopt these ideas to your book. This site will almost certainly help you save time and effort, money and stress. If you are looking for free books then you really should consider finding to assist you try this. Several of Manual For Automatic Water Level Controller are for sale to free while some are payable. If you arent sure if the books you would like to download works with for usage along with your computer, it is possible to download free trials. The free guides make it easy for someone to free access online library for download books to your device. You can get free download on free trial for lots

of books categories. Our library is the biggest of these that have literally hundreds of thousands of different products categories represented. You will also see that there are specific sites catered to different product types or categories, brands or niches related with Manual For Automatic Water Level Controller. So depending on what exactly you are searching, you will be able to choose e books to suit your own need. Need to access completely for Campbell Biology Seventh Edition book? Access Ebook without any digging. And by having access to our ebook online or by storing it on your computer, you have convenient answers with Manual For Automatic Water Level Controller To get started finding Manual For Automatic Water Level Controller, you are right to find our website which has a comprehensive collection of books online. Our library is the biggest of these that have literally hundreds of thousands of different products represented. You will also see that there are specific sites catered to different categories or niches related with Manual For Automatic Water Level Controller So depending on what exactly you are searching, you will be able to choose ebook to suit your own need. Thank you for reading Manual For Automatic Water Level Controller. Maybe you have knowledge that, people have search numerous times for their favorite readings like this Manual For Automatic Water Level Controller, but end up in harmful downloads. Rather than reading a good book with a cup of coffee in the afternoon, instead they juggled with some harmful bugs inside their laptop. Manual For Automatic Water Level Controller is available in our book collection an online access to it is set as public so you can download it instantly. Our digital library spans in multiple locations, allowing you to get the most less latency time to download any of our books like this one. Merely said, Manual For Automatic Water Level Controller is universally compatible with any devices to read.

### **Find Manual For Automatic Water Level Controller :**

[motor trade company profile](#)

**motor 13hp honda gx390 blueprint**

*motorcycle rental dallas tx*

**motorcycle women in nothing**

**motan dryers operation manual**

*mota land kese hota hai*

**motorcycle riding guide**

*motor neurone disease a family affair*

[motor 300 tdi land rover](#)

[motores caterpillar 3208 manual](#)

[motor vehicle safety recalls](#)



**motherboard ms 6533e manual**

**motor audi v6 b5**

motorcycle carb tuning guide

motorola addendum 488278 002 receivers owners manual

**Manual For Automatic Water Level Controller :**

mogea science social studies subtest practice test study com - May 12 2023

web start test what s on the test the mogea science and social studies subtest includes four categories each category contains 25 percent of the exam questions fundamental

*mega social science 071 study guide study com* - Sep 04 2022

web nov 30 2022 check out mometrix s mogea study guide get practice questions video tutorials and detailed study lessons

mogea science and social studies 069 study guide and test - Nov 06 2022

web the mega social science 071 exam is part of the missouri educator gateway assessments and is designed for aspiring secondary level teachers in missouri it

missouri general education assessment mogea free practice - Jun 13 2023

web study com s mogea 069 practice test helps you study by simulating a real test taking experience our personalized feedback will have you ready for test day for teachers for

**mega social science multi content practice study guide** - Nov 25 2021

free mogea 069 science and social studies practice test - Jul 14 2023

web start practice test welcome to 240 tutoring s free practice test for the mogea 069 science and social studies exam passing the mogea science and social studies

**mega social science 071 test prep study com** - Mar 30 2022

web best mogea social science 069 study guide mometrix test preparation 209k subscribers subscribe 8 1k views 6 years ago mogea study guide

mogea social studies 005 practice tests test prep by exam - Oct 25 2021

*mogea study guide practice test prepare for the mogea test* - Oct 05 2022

web take a mogea mega practice test today and assess your mogea mega test readiness use your practice test results to identify your areas of strength and weakness

**mogea practice test prep for the mogea test** - Jun 01 2022

web the mega social science exam is a certification and readiness test intended to evaluate a teaching candidates ability to provide social science instruction in missouri public schools

*tests missouri educator gateway assessments* - Dec 07 2022

web jul 11 2023 start preparing today with a mogea study guide that includes mogea practice test questions raise your mogea score guaranteed by mometrix

**mogea science and social studies 069 practice tests test** - Apr 30 2022

web the practice exam assesses your strengths and weaknesses and covers all the concepts you need to know to become a secondary level educator with a 92 pass rate from

mogea social studies subtest sample questions quizlet - Jan 08 2023

web to pass the mogea science and social studies 069 exam you must first understand what is on the exam and what you will be expected to know once you identify areas of

*mogea exam practice test youtube* - Dec 27 2021

web we offer 30 online practice exams with 1 200 unique questions our world class practice certification tests are designed to give you the knowledge you need to pass your

*best mogea social science 069 study guide youtube* - Jan 28 2022

web this online test preparation course helps you quickly prepare for the missouri educator gateway assessments mega social science multi content exam use these

**mogea science social studies subtest 069** - Mar 10 2023

web term 1 3 b examine colonial beliefs about the nature of political power this question requires the examinee to demonstrate the ability to identify purpose point of view and

**take a mogea mega practice test today study com** - Aug 03 2022

web mogea practice test review the missouri general education assessment or mogea will consist of four subtests that measure reading comprehension and interpretation

**mega social science 071 practice test study com** - Feb 26 2022

web may 15 2019 mometrix test preparation 218k subscribers 2 9k views 4 years ago mometrixtestprep mogea study guide mometrix com studyguides

*mogea science and social studies practice test* - Aug 15 2023

web aug 10 2023 mogea science and social studies practice test the science and social studies subtest of the mogea exam which is an optional subtest assesses your

**mogea study guide 2022 mometrix test preparation** - Jul 02 2022

web prepare for the mogea science and social studies certification exam with exam edge s realistic practice tests detailed explanations and convenient web based format get

**mogea science practice test example questions** - Apr 11 2023

web missouri general education assessment mogea purpose this test for admission into undergraduate educator preparation programs in missouri includes sections on english

**missouri general education assessment mogea** - Feb 09 2023

web tests what tests do i need to take testing requirements are dependent on certification type read more about which tests are required for teacher certification in missouri

**tractordata com landini legend 185 tdi tractor information** - Jun 30 2023

web series legend 165 tdi legend 185 tdi landini legend 185 tdi engine perkins 6 0l 6 cyl diesel engine details photos no photos of the landini legend 185 tdi are

**landini legend tdi 185 4wd tractor specs 2005 2009** - Jun 18 2022

web the legend tdi 185 4wd tractor model is manufactured by landini find and download detailed specs and data sheets for this machine here the landini legend tdi 185 is a

**landini legend 125 tdi traktorlar ve tarım** - Dec 25 2022

web mar 29 2008 sadece başlıkları ara kullanıcı ara gelişmiş arama

**landini legend tdi 125 4wd tractor specs 2004 2009** - Aug 01 2023

web find and download detailed specs and data sheets for this machine here the landini legend tdi 125 is a 5 5t machine with perkins engine which powers this model with up

**tractordata com landini legend 145 tdi tractor information** - Apr 28 2023

web no photos of the landini legend 145 tdi are currently available to submit yours email it to peter tractordata com photos may only be used with the permission of the original

**tractordata com landini legend 125 tdi tractor information** - Sep 02 2023

web overview engine transmission dimensions photos series legend 125 tdi legend 135 tdi photos landini legend 125 tdi photos 2000 2021 tractordata com

**landini legend tdi 145 4wd tractor specs 2005 2009** - Apr 16 2022

web the landini legend tdi 145 is a 5 5t machine with perkins engine which powers this model with up to 106kw or 142 horse power this landini 4wd tractor belongs to the

**landini legend 125 tdi specifications tractorid com** - Feb 24 2023

web all known landini legend 125 tdi specification information check info before you buying parts engine details dimensions attachments and other landini legend 125 tdi

**tractordata com landini legend 165 tdi tractor information** - May 30 2023

web landini legend 165 tdi power engine 161 hp 120 1 kw pto claimed 145 hp 108 1 kw landini legend 165 tdi engine perkins 6 0l 6 cyl diesel engine details

**landini legend 125 tdi tractor specifications** - Mar 28 2023

web feb 4 2018 landini legend 125 tdi dimensions wheelbase 110 inches 279 cm weight 12 760 lbs 5787 kg landini legend 125 tdi mechanical chassis 4 4 m fwd

landini legend 125 tdi row crop tractor specs features - Oct 23 2022

web jul 26 2022 the landini legend 125 tdi is one of the great tractors in the landini stable and it has earned landini a fantastic reputation how much oil does a landini

landini legend tdi 125 4wd tractor specs 2005 2009 - May 18 2022

web the legend tdi 125 is categorised in the medium sized machine segment in the 4wd tractors category the model s dimensions are 5 14m x 2 05m x 2 76m the landini

**landini legend tdi 165 4wd tractor specs 2004 2009** - Feb 12 2022

web the legend tdi 165 4wd tractor model is manufactured by landini find and download detailed specs and data sheets for this machine here the landini legend tdi 165 is a

landini legend 125 tdi row crop tractors specifications - Nov 23 2022

web users of the landini legend 125 tdi appreciate the tractor s powerful engine which provides good performance for heavy duty tasks they also like the smooth and efficient

*landini legend tdi 185 4wd tractor specs 2004 2009* - Mar 16 2022

web manufactured by landini this is the legend tdi 185 4wd tractor find and download detailed specs and data sheets for this machine here the landini legend tdi 185 is a

landini legend 135 tdi specs engine transmission dimensions - Jan 26 2023

web production manufacturer landini type row crop tractor landini legend 135 tdi power engine 132 hp 98 4 kw pto claimed 120 hp 89 5 kw mechanical chassis 4x4

**landini legend tdi 125 teknik Özellikler ve veriler 2005 2009** - Oct 03 2023

web 2005 2009 yılında yıllarında üretilen landini legend tdi 125 ürününün ayrıntılı teknik özelliklerini ve teknik verilerini inceleyin lectura specs den landini legend tdi 125

*landini legend 185 tdi tractors facts* - Sep 21 2022

web jul 26 2022 below you will find detailed technical specifications for landini legend 185 tdi covering engine types horsepower ratings weight height fuel type and tank

**Is 19 landini legend 100 tdi tractor** - Jul 20 2022

web feb 4 2021 Is 19 landini legend 100 tdi tractor by Is22 mods published february 4 2021 updated february 4 2021 agricultural tractor landini legend for farming

landini legend 185 tdi 2004 2006 parts catalog youtube - Aug 21 2022

web parts catalog parts manual parts list parts book compatible with all versions of windows mac fully printable pdf file fully illustrated parts ca

*maze solving equations activities algebra 1 coach* - Aug 08 2023

web these activities will help you keep the engagement level up during this extremely important unit on solving different types of equations in algebra 1 maze solving equations activities solving one step equations

**activities to make practicing multi step equations awesome** - Sep 28 2022

web jul 14 2017 the activities for solving multi step equations the activities below can be used for different parts of the lesson some work well as anticipatory sets while others are great for practicing they all are engaging and many of them encourage collaboration some of the activities are completed on the computer while others use paper

engaging activities for solving rational equations 2023 - Mar 03 2023

web explore how these strategies can be applied for proportional reasoning solving equations for unknowns and solving systems of linear equations access over 100 classroom ready activities including worked examples routines and games find activities to explicitly teach students how to use and choose strategies

**4 7 solving rational equations mathematics libretxts** - Oct 30 2022

web oct 6 2021 begin solving rational equations by multiplying both sides by the lcd the resulting equivalent equation can be solved using the techniques learned up to this point multiplying both sides of a rational equation by a variable expression introduces the possibility of extraneous solutions

**engaging activities for solving rational equations copy ext** - Feb 19 2022

web equations of lines in slope intercept form and transforming to standard form students study exponents square roots polynomials and quadratic equations they learn simplifying rational expressions and solving rational equations as well as adding subtracting multiplying and dividing radicals note this course can be used to meet the

**lesson 15 rational and radical functions 11th grade** - Nov 30 2022

web solve rational exponent equations either by converting to radical equations or by working with the rational exponents in their current form fishtank plus unlock features to optimize your prep time plan engaging lessons and monitor student

progress

[rational equation activities study com](#) - Oct 10 2023

web working with rational equations is an important of high school algebra this lesson offers activities that will make it more interesting for students to work with and resolve rational

[engaging activities for solving rational equations](#) - Jun 25 2022

web jun 18 2023 engaging activities for solving rational equations standards for mathematical practice common core state course listing for courses bellevue university problem solving using linear equations video amp lesson we talk about writing and solving addition equations with one variable an addition equation with one

[15 2 1 solving rational equations and applications](#) - Sep 09 2023

web sep 5 2021 equations that contain rational expressions are called rational equations for example  $2x + 1 = 4x - 3$  is a rational equation you can solve these equations using the techniques for performing operations with rational expressions and the procedures for solving algebraic equations

**solving equations with rational coefficients activities teaching** - Jun 06 2023

web let your students practice while having fun with this engaging no prep easter themed and self checking one step equations activity students will solve 20 one step equations with rational coefficients using google sheets i used it

**solving a rational equation lesson plan study com** - Jan 01 2023

web this lesson will help students learn how to solve rational equations they will watch a video lesson measure their understanding with a short for teachers for schools for working scholars

[engaging activities for solving rational equations download](#) - Apr 23 2022

web 2 engaging activities for solving rational equations 2022 03 03 affecting 14 of all people at some point in their lifetime women are twice as likely to become depressed as men but beyond gender there are a variety of risk factors that influence the prevalence and likelihood of experiencing depression risk

**engaging activities for solving rational equations** - Aug 28 2022

web engaging activities for solving rational equations omb no 3159217039247 edited by nicholson huffman algebra ii workbook springer bring common core math into high school with smart engaging activities teaching common core math standards with hands on activities grades 9 12 provides high school teachers with the kind of help

**1 3e exercises rational equations mathematics libretxts** - May 05 2023

web jan 14 2022 bigstar simplify or solve whichever is appropriate  $\frac{1}{x} + \frac{2}{3} = \frac{3}{4}$   $\frac{1}{x} + \frac{3}{4} = \frac{3}{4}$

**7 5 solving rational equations mathematics libretxts** - Apr 04 2023

web oct 6 2021 begin solving rational equations by multiplying both sides by the lcd the resulting equivalent equation can

be solved using the techniques learned up to this point multiplying both sides of a rational equation by a variable expression introduces the possibility of extraneous solutions

[solve rational equations activity teaching resources tpt](#) - Jul 07 2023

web solving rational equations color by number activity this activity will have students practicing how to solve equations involving rational expressions there are a total of 8 problems with 5 problems where solving a quadratic equation is necessary and 3 where it

**12 one step equation activities that are out of this world** - Jul 27 2022

web oct 29 2017 the list of activities one step equations mazes one step equations pong tic tac toe game cooperative whiteboards cootie catcher activity for one step equations equation wheels snowball fight line puzzle activity matching cards kahoot for solving one step equations quiz on quizizz jeopardy let dig into the

[7 4 solve rational equations mathematics libretxts](#) - Feb 02 2023

web sep 27 2020 solve rational equations solve rational equations by clearing denominators identify extraneous solutions in a rational equation solve for a variable in a rational formula applications of rational equations identify the components of a work equation solve a work equation define and write a proportion solve proportional

**engaging activities for solving rational equations** - Mar 23 2022

web engaging activities for solving rational equations standards for mathematical practice common core state problem solving using linear equations video amp lesson inside mathematics a professional resource for educators

**engagingactivitiesforsolvingrationalequations download only** - May 25 2022

web equations of lines in slope intercept form and transforming to standard form students study exponents square roots polynomials and quadratic equations they learn simplifying rational expressions and solving rational equations as well as adding subtracting multiplying and dividing radicals note this