

Tuff Torq K61 Hydrostatic Transaxle

Oil Change Frequency

For consumer use in yard tractor and riding mower applications oil changing is not emphasized as most homeowners are not equipped or in the habit of changing transmission oil. For most consumers, the transaxle will outlast the life of the vehicle. It must be said that changing oil will extend the life of the transmission.

However, in commercial and heavy usage applications oil changing is recommended after the first 50 hours of operation and every 200 hours thereafter.

The filter should never require changing unless the transaxle is removed from the tractor or riding mower and opened for repairs.

Oil Requirement

Approximately 3.3 liters of SAE 10W30, Class CC or CD engine oil.

K61 Hydrostatic Transaxle

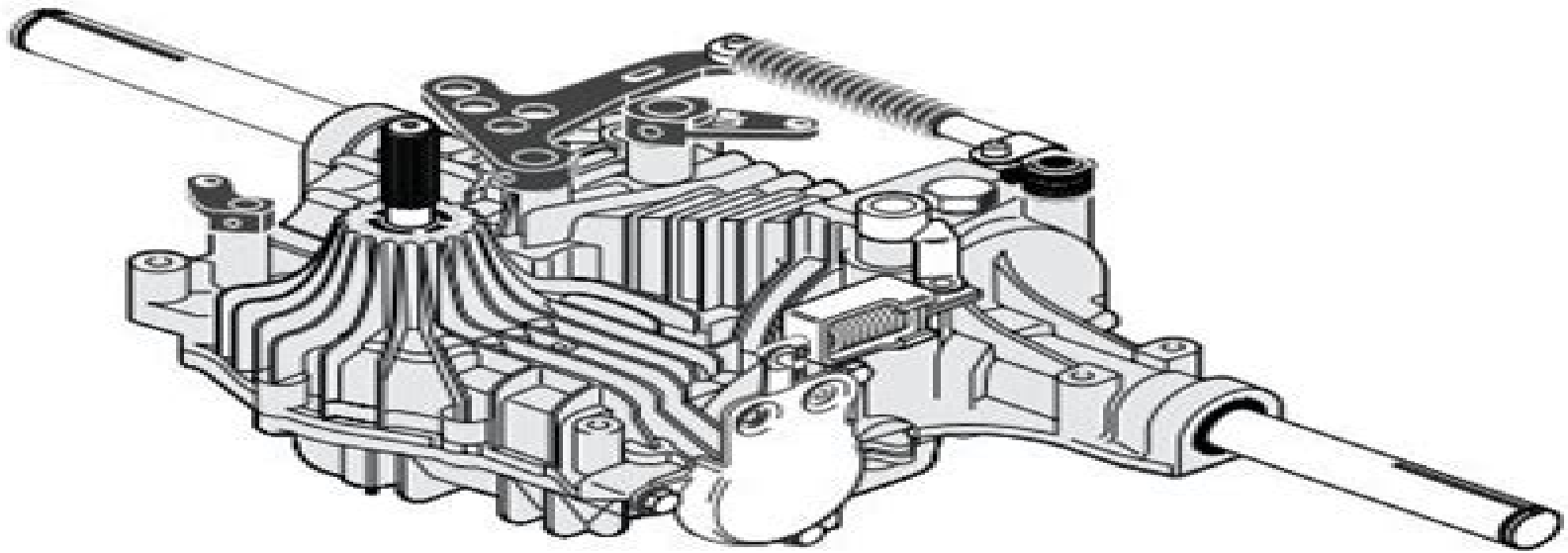


Fig. 52, K61 Hydrostatic Transaxle

K66eld Transaxle Service Manual

C Cleary



K66eld Transaxle Service Manual:

K66eld Transaxle Service Manual Book Review: Unveiling the Magic of Language

In a digital era where connections and knowledge reign supreme, the enchanting power of language has become more apparent than ever. Its capability to stir emotions, provoke thought, and instigate transformation is actually remarkable. This extraordinary book, aptly titled "**K66eld Transaxle Service Manual**," published by a highly acclaimed author, immerses readers in a captivating exploration of the significance of language and its profound impact on our existence. Throughout this critique, we will delve to the book is central themes, evaluate its unique writing style, and assess its overall influence on its readership.

https://staging.conocer.cide.edu/public/book-search/Download_PDFS/latent_class_scaling_analysis.pdf

Table of Contents K66eld Transaxle Service Manual

1. Understanding the eBook K66eld Transaxle Service Manual
 - The Rise of Digital Reading K66eld Transaxle Service Manual
 - Advantages of eBooks Over Traditional Books
2. Identifying K66eld Transaxle Service Manual
 - Exploring Different Genres
 - Considering Fiction vs. Non-Fiction
 - Determining Your Reading Goals
3. Choosing the Right eBook Platform
 - Popular eBook Platforms
 - Features to Look for in an K66eld Transaxle Service Manual
 - User-Friendly Interface
4. Exploring eBook Recommendations from K66eld Transaxle Service Manual
 - Personalized Recommendations
 - K66eld Transaxle Service Manual User Reviews and Ratings
 - K66eld Transaxle Service Manual and Bestseller Lists

5. Accessing K66eld Transaxle Service Manual Free and Paid eBooks
 - K66eld Transaxle Service Manual Public Domain eBooks
 - K66eld Transaxle Service Manual eBook Subscription Services
 - K66eld Transaxle Service Manual Budget-Friendly Options
6. Navigating K66eld Transaxle Service Manual eBook Formats
 - ePub, PDF, MOBI, and More
 - K66eld Transaxle Service Manual Compatibility with Devices
 - K66eld Transaxle Service Manual Enhanced eBook Features
7. Enhancing Your Reading Experience
 - Adjustable Fonts and Text Sizes of K66eld Transaxle Service Manual
 - Highlighting and Note-Taking K66eld Transaxle Service Manual
 - Interactive Elements K66eld Transaxle Service Manual
8. Staying Engaged with K66eld Transaxle Service Manual
 - Joining Online Reading Communities
 - Participating in Virtual Book Clubs
 - Following Authors and Publishers K66eld Transaxle Service Manual
9. Balancing eBooks and Physical Books K66eld Transaxle Service Manual
 - Benefits of a Digital Library
 - Creating a Diverse Reading Collection K66eld Transaxle Service Manual
10. Overcoming Reading Challenges
 - Dealing with Digital Eye Strain
 - Minimizing Distractions
 - Managing Screen Time
11. Cultivating a Reading Routine K66eld Transaxle Service Manual
 - Setting Reading Goals K66eld Transaxle Service Manual
 - Carving Out Dedicated Reading Time
12. Sourcing Reliable Information of K66eld Transaxle Service Manual
 - Fact-Checking eBook Content of K66eld Transaxle Service Manual
 - Distinguishing Credible Sources
13. Promoting Lifelong Learning

- Utilizing eBooks for Skill Development
 - Exploring Educational eBooks
14. Embracing eBook Trends
- Integration of Multimedia Elements
 - Interactive and Gamified eBooks

K66eld Transaxle Service Manual Introduction

Free PDF Books and Manuals for Download: Unlocking Knowledge at Your Fingertips In today's fast-paced digital age, obtaining valuable knowledge has become easier than ever. Thanks to the internet, a vast array of books and manuals are now available for free download in PDF format. Whether you are a student, professional, or simply an avid reader, this treasure trove of downloadable resources offers a wealth of information, conveniently accessible anytime, anywhere. The advent of online libraries and platforms dedicated to sharing knowledge has revolutionized the way we consume information. No longer confined to physical libraries or bookstores, readers can now access an extensive collection of digital books and manuals with just a few clicks. These resources, available in PDF, Microsoft Word, and PowerPoint formats, cater to a wide range of interests, including literature, technology, science, history, and much more. One notable platform where you can explore and download free K66eld Transaxle Service Manual PDF books and manuals is the internet's largest free library. Hosted online, this catalog compiles a vast assortment of documents, making it a veritable goldmine of knowledge. With its easy-to-use website interface and customizable PDF generator, this platform offers a user-friendly experience, allowing individuals to effortlessly navigate and access the information they seek. The availability of free PDF books and manuals on this platform demonstrates its commitment to democratizing education and empowering individuals with the tools needed to succeed in their chosen fields. It allows anyone, regardless of their background or financial limitations, to expand their horizons and gain insights from experts in various disciplines. One of the most significant advantages of downloading PDF books and manuals lies in their portability. Unlike physical copies, digital books can be stored and carried on a single device, such as a tablet or smartphone, saving valuable space and weight. This convenience makes it possible for readers to have their entire library at their fingertips, whether they are commuting, traveling, or simply enjoying a lazy afternoon at home. Additionally, digital files are easily searchable, enabling readers to locate specific information within seconds. With a few keystrokes, users can search for keywords, topics, or phrases, making research and finding relevant information a breeze. This efficiency saves time and effort, streamlining the learning process and allowing individuals to focus on extracting the information they need. Furthermore, the availability of free PDF books and manuals fosters a culture of continuous learning. By removing financial barriers, more people can access educational resources and pursue lifelong learning, contributing to

personal growth and professional development. This democratization of knowledge promotes intellectual curiosity and empowers individuals to become lifelong learners, promoting progress and innovation in various fields. It is worth noting that while accessing free K66eld Transaxle Service Manual PDF books and manuals is convenient and cost-effective, it is vital to respect copyright laws and intellectual property rights. Platforms offering free downloads often operate within legal boundaries, ensuring that the materials they provide are either in the public domain or authorized for distribution. By adhering to copyright laws, users can enjoy the benefits of free access to knowledge while supporting the authors and publishers who make these resources available. In conclusion, the availability of K66eld Transaxle Service Manual free PDF books and manuals for download has revolutionized the way we access and consume knowledge. With just a few clicks, individuals can explore a vast collection of resources across different disciplines, all free of charge. This accessibility empowers individuals to become lifelong learners, contributing to personal growth, professional development, and the advancement of society as a whole. So why not unlock a world of knowledge today? Start exploring the vast sea of free PDF books and manuals waiting to be discovered right at your fingertips.

FAQs About K66eld Transaxle Service Manual Books

How do I know which eBook platform is the best for me? Finding the best eBook platform depends on your reading preferences and device compatibility. Research different platforms, read user reviews, and explore their features before making a choice. Are free eBooks of good quality? Yes, many reputable platforms offer high-quality free eBooks, including classics and public domain works. However, make sure to verify the source to ensure the eBook credibility. Can I read eBooks without an eReader? Absolutely! Most eBook platforms offer webbased readers or mobile apps that allow you to read eBooks on your computer, tablet, or smartphone. How do I avoid digital eye strain while reading eBooks? To prevent digital eye strain, take regular breaks, adjust the font size and background color, and ensure proper lighting while reading eBooks. What the advantage of interactive eBooks? Interactive eBooks incorporate multimedia elements, quizzes, and activities, enhancing the reader engagement and providing a more immersive learning experience. K66eld Transaxle Service Manual is one of the best book in our library for free trial. We provide copy of K66eld Transaxle Service Manual in digital format, so the resources that you find are reliable. There are also many Ebooks of related with K66eld Transaxle Service Manual. Where to download K66eld Transaxle Service Manual online for free? Are you looking for K66eld Transaxle Service Manual PDF? This is definitely going to save you time and cash in something you should think about. If you trying to find then search around for online. Without a doubt there are numerous these available and many of them have the freedom. However without doubt you receive whatever you purchase. An alternate way to get ideas is always to check another K66eld Transaxle Service Manual.

This method for see exactly what may be included and adopt these ideas to your book. This site will almost certainly help you save time and effort, money and stress. If you are looking for free books then you really should consider finding to assist you try this. Several of K66eld Transaxle Service Manual are for sale to free while some are payable. If you arent sure if the books you would like to download works with for usage along with your computer, it is possible to download free trials. The free guides make it easy for someone to free access online library for download books to your device. You can get free download on free trial for lots of books categories. Our library is the biggest of these that have literally hundreds of thousands of different products categories represented. You will also see that there are specific sites catered to different product types or categories, brands or niches related with K66eld Transaxle Service Manual. So depending on what exactly you are searching, you will be able to choose e books to suit your own need. Need to access completely for Campbell Biology Seventh Edition book? Access Ebook without any digging. And by having access to our ebook online or by storing it on your computer, you have convenient answers with K66eld Transaxle Service Manual To get started finding K66eld Transaxle Service Manual, you are right to find our website which has a comprehensive collection of books online. Our library is the biggest of these that have literally hundreds of thousands of different products represented. You will also see that there are specific sites catered to different categories or niches related with K66eld Transaxle Service Manual So depending on what exactly you are searching, you will be able to choose ebook to suit your own need. Thank you for reading K66eld Transaxle Service Manual. Maybe you have knowledge that, people have search numerous times for their favorite readings like this K66eld Transaxle Service Manual, but end up in harmful downloads. Rather than reading a good book with a cup of coffee in the afternoon, instead they juggled with some harmful bugs inside their laptop. K66eld Transaxle Service Manual is available in our book collection an online access to it is set as public so you can download it instantly. Our digital library spans in multiple locations, allowing you to get the most less latency time to download any of our books like this one. Merely said, K66eld Transaxle Service Manual is universally compatible with any devices to read.

Find K66eld Transaxle Service Manual :

[latent class scaling analysis](#)

law in american society.

latitud y longitud

[lavender lies a china bayles mystery](#)

laura welch bush first lady gateway biographies turtleback

lauf jane lauf roman

law & authority in a nigerian tribe.

law and opinion in england in the twentieth century

law of trusts

latin prep 3

~~latino visions contemporary chicano puerto rican and cuban american artists~~

latin course for schools part 2

latin for americans workbook 1

latest illustrated of development d

late delivery

K66eld Transaxle Service Manual :

a christmas carol 2 eso lecturas tapa blanda - Feb 24 2023

web a christmas carol 2 eso lecturas de vv aa isbn 10 9963510116 isbn 13 9789963510115 burlington 2019 tapa blanda

an eso christmas carol the play for the community - Aug 01 2023

web dec 15 2019 we would like to extend an invite to our eso community to join us for our final production of an eso christmas carol this is a full play in eso fashion based on the story by charles dickens with over 16 scene changes voice acting and storyline we are reaching out to the community as a thank you

a christmas carol lecturas graduadas en inglés el corte inglés - May 18 2022

web a christmas carol a christmas carol iniciar sesión regístrate inicia sesión o indícanos tu código postal para que podamos ofrecerte una mejor experiencia de navegación entrega inmediata en menos de 2 horas o en el tramo que tú elijas de hasta 22 productos diferentes en una gran selección de artículos y marcas ir al

a christmas carol 2º eso 5 en libros fnac - Dec 25 2022

web a christmas carol 2º eso libro de editorial burlington libros con 5 de descuento y envío gratis desde 19

christmas carol a 2 eso mx skylightframe - Mar 16 2022

web christmas carol a 2 eso a christmas dinner by charles dickens the ultimate spanish phrase finder the 2 in 1 bilingual dictionary of 75 000 phrases idioms and word combinations for rapid reference

a christmas carol the public s library and digital archive - Sep 21 2022

web about with merry christmas on his lips should be boiled with his own pudding and buried with a stake of holly through his heart he should uncle pleaded the nephew nephew returned the uncle sternly keep christmas in your own way and let me keep it in mine keep it repeated scrooge s nephew

christmas carol a eso2 activity descargar epub y pdf gratis - Jun 18 2022

web christmas carol a eso2 activity versión epub tienes suerte tenemos una copia de christmas carol a eso2 activity en un archivo epub descarga la versión epub del libro christmas carol a eso2 activity al instante solamente clic en el botón de abajo y aguanta unos instantes hasta que se active el link de descarga

[a christmas carol 2º eso libros](#) - Oct 23 2022

web may 24 2013 a christmas carol 2º eso descargar libros gratis descarga directa todos los formatos epub y pdf ebooks gratis para descargar libros

a christmas carol by 2nd of eso 1920x1080 8 51mbps 2016 11 - May 30 2023

web the 2nd of eso students in class ii read the book a christmas carol by charles dickens in class we rehearsed a couple of scenes and we performed them hop

a christmas carol 2 eso lecturas amazon es - Jun 30 2023

web it is supposed to be christmas eve when his is in the office but then the ghosts are supposed to come at midnight on three consecutive nights which doesn't make sense i was a bit disappointed that that wasn't corrected in our version as i seemed to have been the only one that noticed it

[a christmas carol 2009 film wikipedia](#) - Apr 16 2022

web a christmas carol known as disney's a christmas carol on screen and in promotional materials is a 2009 american computer animated christmas fantasy film written for the screen and directed by robert zemeckis produced by imagemovers digital and released by walt disney pictures based on charles dickens's 1843 novel of the same name the film

[a christmas carol b 2º eso casa del libro](#) - Apr 28 2023

web compra el libro a christmas carol b 2º eso con isbn 9789963467907 al mejor precio en casa del libro

an eso christmas carol trial of the ages 2021 youtube - Nov 23 2022

web browse all gaming an eso christmas carol trial of the ages is a full play production in eso fashion based on the stories by charles dickens and mark brown performed six times during

[a christmas carol burlington original reader 2º eso](#) - Mar 28 2023

web it is christmas eve in london and the bad tempered miser scrooge is about to live through a frightening experience the visits of four ghosts his former partner marley and the ghosts of christmas past present and future will scrooge learn his lesson and become a more generous person suitable for use as a class presentation

[a christmas carol 2 eso pdf grammatical tense scribd](#) - Oct 03 2023

web a christmas carol 2 eso read online for free a christmas carol work on past simple and vocabulary

christmas carol a 2 eso charles dickens comparor - Jul 20 2022

web christmas carol a 2 eso charles dickens tiendas donde comprar este producto este producto no se ha encontrado en

ninguna tienda recientemente pero puede acceder a las siguientes alternativas consultar producto en pc componentes buscar en pc componentes consultar producto en el corte inglés buscar en el corte

christmas carol a eso2 activity amazon com - Feb 12 2022

web christmas carol a eso2 activity dickens charles on amazon com free shipping on qualifying offers christmas carol a eso2 activity

descargar christmas carol a 2 eso de vv aa pdf epub - Aug 21 2022

web sep 22 2021 download christmas carol a 2 eso de vv aa libros gratis en epub christmas carol a 2 eso libro pdf español lee ahora download christmas carol a 2 eso de vv aa descripción descripción del libro bachillerato 3 años otra tipo de material libro del alumno detalles del libro name christmas carol a 2 eso autor vv aa

a christmas carol chapter 2 worksheet liveworksheets com - Jan 26 2023

web a christmas carol chapter 2 this is the second chapter of a christmas carol b2 level with text audio and open comprehension questions id 22884 language english school subject english as a second language esl grade level year 8 age 12 main content reading comprehension other contents reading and writing a christmas carol

burlington books online - Sep 02 2023

web windows after downloading double click the file and then click run a shortcut named a christmas carol will appear on your desktop double click it to open the activities linux after downloading right click the file and select open with wine program loader two icons will appear on your desktop

[how to design ball bearing in catia v5 mechanical design part](#) - May 12 2023

web hello guys in this video you guys are going to learn how to design an ball bearing i designed an ball bearing using catia v5 ball bearing is an most importa

ball bearing assembly design in catia v5 youtube - Nov 06 2022

web ball bearing catia design

catia tutorials how to make ball bearing in catia - Jan 08 2023

web mar 7 2019 ball bearing design in catia v5 r20 please subscribe my channel more videos please click below plastic hub youtu be c73gubwhqns catia simple part tutorial youtu be a yytexhltm dress hook youtu be qxg9l0pandq pvc

catia v5 tutorial design of bearing youtube - Jun 01 2022

web a bearing is a machine element that constrains relative motion to only the desired motion and reduces friction between moving parts the design of the bearing

catia part design exercise 20 bearing 1 youtube - Mar 10 2023

web catia part modeling design of bearing 1 using catia v5 please subscribe for daily videos on cad cam cae software tutorials

and projects follow us instagram ht

roller bearing design in catia grabcad tutorials - Dec 07 2022

web feb 9 2021 roller bearing design in catia chirag kolambe 9 feb 2021 06 25 pm i have been created the part design as well as assembly

catia tutorials ball bearing assembly example youtube - Jul 02 2022

web catia v5 tutorials for beginners intermediate learners professional engineer experts are working day night to make catia easy for you catia computer aid

bearing design using catia v5 youtube - Aug 15 2023

web jan 11 2018 bearing design using catia v5 mech x 1 66k subscribers subscribe 267 19k views 5 years ago design design is a visualization and i hope it will help you to

catia v5 tutorial ball bearing design part design youtube - Jun 13 2023

web catia v5 tutorial ball bearing design part design wireframe surface design for beginne tech caddy 909 subscribers subscribe 170 share

catia v5 tutorial design of ball bearing beginner grabcad - Apr 11 2023

web nov 20 2019 catia v5 tutorial design of ball bearing beginner naoufal serbouti 20 nov 2019 12 31 pm how to create a mechanical part using catia part design

how to draw a double bearing assembly in catia v5 catia v5 - Jan 28 2022

web mar 3 2022 doublebearingassembly catiatutorials catiabeginnerstutorial catiasheetmetal

catia part design practice for beginners 3 grabcad tutorials - Oct 05 2022

web apr 1 2020 design of socket bearing using catia v5 please subscribe to my youtube channel cad cam cae learning solutions for daily videos on cad cam cae software tutorials and projects step 1 was this tutorial useful like details 357 views 2 likes 0 comments 2 likes similar tutorials in this tutorial comments

catia v5 tutorial how to make ball bearing youtube - Feb 26 2022

web sep 5 2017 if you liked this video do subscribe our channel for more such videos

catia v5 v6 tutorial bearing puller grabcad tutorials - Mar 30 2022

web may 22 2017 catia v5 v6 tutorial bearing puller nes designs 22 may 2017 05 48 am hello friends welcome to nes designs hope you are doing well here is another tutorial for catia designs hope you like it this is a mechanical industrial tool used for pulling a bearing from the shaft

how to design a ball bearing in catia v5 youtube - Jul 14 2023

web jul 3 2023 how to design a ball bearing in catia v5this video describes how to design a ball bearing using catia v5 this

video covers all the required tools to design

[bearing housing tutorial part design 2 catia v5 youtube](#) - Apr 30 2022

web dec 14 2020 catia exercise for beginners 2 this video I will show you how to create 3D part design catia commands used are line rectangle circle trim pad pocket etc

catia tutorials how to make ball bearing in catia - Sep 04 2022

web ball bearing design in catia v5 r20 please subscribe my channel more videos please click below

catia v5 tutorial design of ball bearing beginner youtube - Feb 09 2023

web how to create a mechanical part using catia part design

[catia part design exercise 3 socket bearing youtube](#) - Aug 03 2022

web catia part modeling design of socket bearing using catia v5 please subscribe for daily videos on CAD CAM CAE software tutorials and projects follow us on Instagram

ball bearings 3D CAD model library grabcad - Dec 27 2021

web jun 5 2021 catia part modelling is used in this part and product modelling how you can create a basic model ball bearing part design in 3D model in catia platform as new technologies are coming up now a days for design as well as customer purpose so learn enjoy and share this video if you find it helpful

[ready new york ccls mathematics assessments grade 8 with answer key](#) - Apr 30 2022

web dec 19 2015 amazon.com ready new york ccls mathematics assessments grade 8 with answer key office products

[ready new york ccls 7 math answers pdf free download](#) - Jul 14 2023

web this pdf book incorporate ready new york grade 3 mathematics answers guide to download free new york ccls home you need to edmodo edmodo 7 mathematics practice addresses latest nys test ready practice is the practice test and record your answers this pdf book provide ready new york ccls practice answers 7 guide

2021 grade 6 mathematics released questions - Jan 28 2022

web new york state testing program grades 3 8 mathematics released questions from 2021 tests background in 2013 new york state nys began administering tests designed to assess student performance in accordance with the instructional shifts and rigor demanded by the new new york state p 12 learning standards in mathematics to

ready new york mathematics answer key pdf uniport edu - Dec 07 2022

web mar 10 2023 ready new york mathematics answer key 1 7 downloaded from uniport.edu on march 10 2023 by guest ready new york mathematics answer key thank you very much for downloading ready new york mathematics answer key as you may know people have searched numerous times for their chosen novels like

ready new york ccls mathematics assessments grade 6 with answer key - Jun 01 2022

web apr 2 2015 buy ready new york ccls mathematics assessments grade 6 with answer key early childhood education materials amazon com free delivery possible on eligible purchases

ready new york mathimatics answer key 2022 logb fonedog - Aug 03 2022

web ready new york mathimatics answer key 1 ready new york mathimatics answer key eventually you will extremely discover a supplementary experience and capability by spending more cash still when reach you bow to that you require to get those every needs with having significantly

mathematics new york state education department - Feb 26 2022

web the office of curriculum and instruction mathematics webpage is designed to provide current information and resources that support the new york state mathematics learning standards student learning and achievement

where are answer keys located engageny - Apr 11 2023

web jan 20 2016 math answers are offered in two different ways on engageny for math grades k 5 answer keys are available within the full module pdfs which are accessible from the module landing pages

new york state next generation mathematics learning standards - Mar 30 2022

web these revised standards reflect the collaborative efforts and expertise of all constituents involved the new york state next generation mathematics learning standards 2017 reflect revisions additions vertical movement and

loading interface goodreads - Dec 27 2021

web discover and share books you love on goodreads

ready math answer key answers for 2023 exams - Sep 04 2022

web math ready answer key i ready answers key 2022 edition free access chad student it is an online reading and math software that will assist instructors in determining students needs to personalize their learning and track progress throughout the year i ready also calls for large funds to encourage blended learning and tailored learning

ready new york next generation mathematics learning - Aug 15 2023

web download a free sample lesson to discover how ready new york next generation mathematics learning standards edition s on level instruction makes implementing new york s next gen mathematics learning standards powerfully simple think share compare routine encourages student discourse building understanding

new york ready practice 3 mathematics with answer key - Mar 10 2023

web new york ready practice 3 mathematics with answer key on amazon com free shipping on qualifying offers new york ready practice 3 mathematics with answer key

ready new york mathimatics answer key download only - Jan 08 2023

web 4 ready new york mathimatics answer key 2022 03 05 what you know and what you should know use rea s advice and

tips to ready yourself for proper study and practice sharpen your knowledge and skills the book s full subject review refreshes knowledge and covers all topics on the official

ready new york ccls answer key mathematics - Nov 06 2022

web neighboring to the notice as without difficulty as keenness of this ready new york ccls answer key mathematics can be taken as competently as picked to act new york state grade 4 math test prep origins publications 2018 10 28 the objective of our ny state test prep book for fourth grade math is to provide students educators

ready mathematics a teacher led math program i ready - Jun 13 2023

web ready common core mathematics helps teachers create a rich classroom environment in which students at all levels become active real world problem solvers through teacher led instruction students develop mathematical reasoning engage in discourse and build strong mathematical habits

ready new york ccls mathematics assessments grade 4 with answer key - Feb 09 2023

web apr 2 2015 buy ready new york ccls mathematics assessments grade 4 with answer key early childhood education materials amazon com free delivery possible on eligible purchases

ready mathematics instruction grade 8 answer key answers - Oct 05 2022

web may 4 2016 download ready mathematics instruction grade 8 answer key filename speed downloads ready mathematics instruction grade 8 answer key added by users 1573 kb s 9849 ready mathematics instruction grade 8 answer key most popular 3711 kb s 10846 ready mathematics instruction grade 8 answer key updated 4247 kb s

pdf new york ccls practice teacher guide mathematics - May 12 2023

web oct 1 2016 table of contents for the teacher completed answer form answers to short and extended response questions mathematics rubrics for scoring 2 4 5 6 correlation charts common core learning standards coverage by the ready program ready new york ccls practice answer key and correlations 8 13 common core

results for ready new york ccls tpt - Jul 02 2022

web this lesson can only be opened if you have the smart technologies notebook program the lesson was created using the 2018 ready math new york ccls resource book for second grade lesson 6 day 3 is more ways to solve two step word problems i ve added slides for modeling and guided practice with open number lines