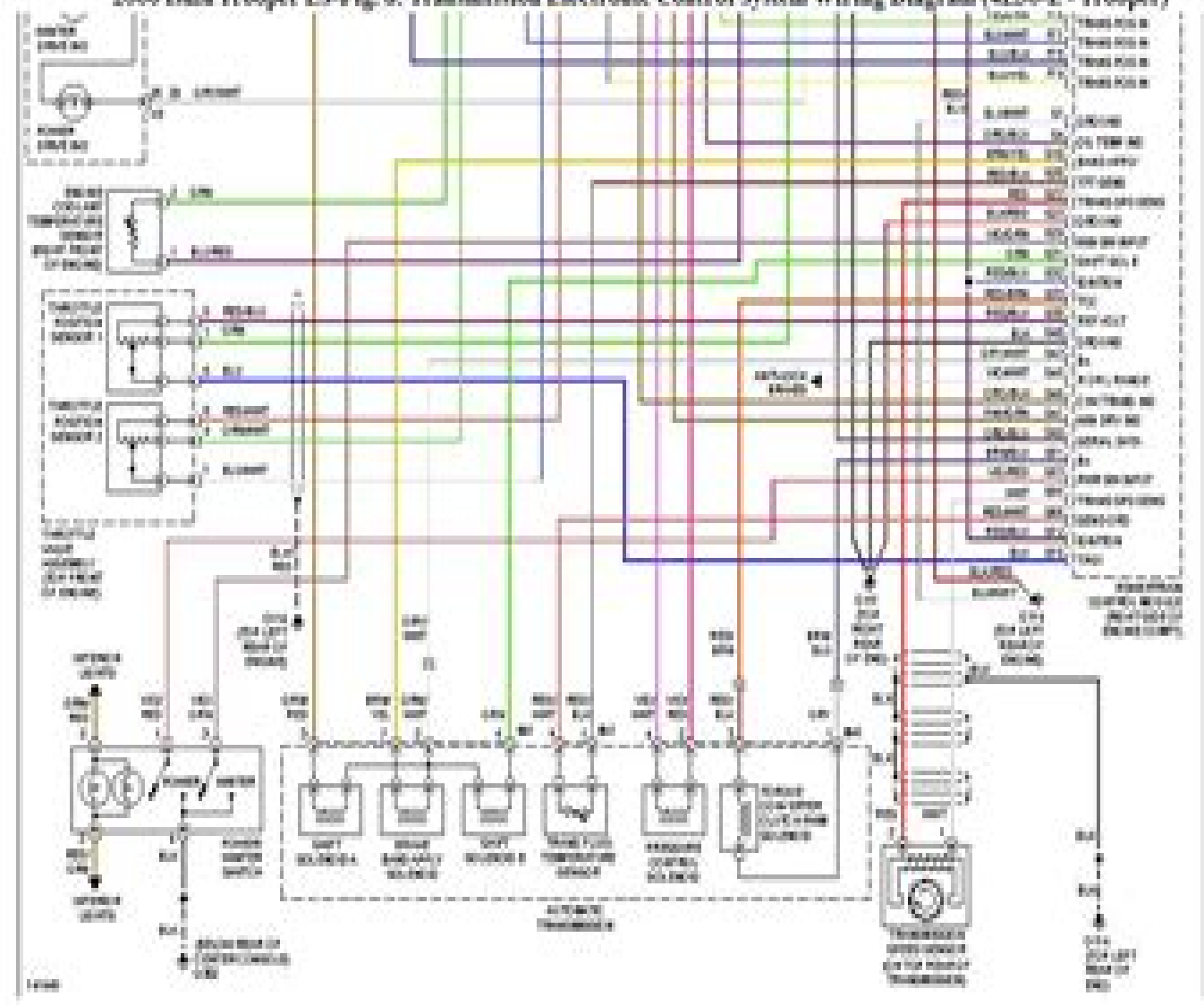




2000 Isuzu Trooper LS-Fig. 8: Transmission Electronic Control System Wiring Diagram (4L30-E - Trooper)



Isuzu Electrical Diagram Npr 87

American Isuzu Motors Inc



Isuzu Electrical Diagram Npr 87:

Japan Transportation ,1988 Isuzu Electrical System American Isuzu Motors Inc,198? *Isuzu Workshop Manual, Trooper II (KB82)*. American Isuzu Motors Inc,1984 *Isuzu ELF NRK/NKS, NPR/NPS Owners Manual* JPNZ (Firm),Isuzu New Zealand,2002-01-01 Isuzu Rodeo & Amigo, Honda Passport Automotive Repair Manual Robert Maddox,John Harold Haynes,1997 **Engine Electricals - All Models Workshop Manual** Isuzu Motors Limited,1980 **Isuzu Trooper & Pick-up Automotive Repair Manual** Larry Warren,Motorbooks International,John Harold Haynes,Robert Phillip Maddox,1990-07-01 Isuzu Workshop Manual G161Z Gasoline Engine (workshop Manual). Isuzu Motors Limited,1975* **Isuzu Workshop Manual G161Z Model Gasoline Engine** Isuzu Jidōsha Kabushiki Kaisha,Isuzu Motors,1975 **Isuzu Workshop Manual** ,1985 UBS WE 87G **Isuzu Workshop Manual G161Z,G180Z Model Gas. Engine** Isuzu Motors Limited, **Isuzu Automobile** American Isuzu Motors Inc,1988 **Isuzu Workshop Manual** Isuzu, Motors Ltd,19?? Isuzu Workshop Manual Motors Ltd Isuzu,1986 Isuzu Workshop Manual Motors Ltd Isuzu, *Isuzu 1600 Florian Workshop Manual* Isuzu Jidōsha Kabushiki Kaisha,Isuzu Motors,197? *Workshop Manual for the Isuzu Diesel Engine* Isuzu Motors,1971 For 6 cylinder trucks produced in 1973 Workshop Manual for the Isuzu Diesel Engine Isuzu Jidōsha Kabushiki Kaisha,Isuzu Motors,1971 *Isuzu Trooper* American Isuzu Motors Inc,1986 Isuzu Workshop Manual Motors Ltd Isuzu,

If you ally dependence such a referred **Isuzu Electrical Diagram Npr 87** book that will provide you worth, acquire the no question best seller from us currently from several preferred authors. If you desire to droll books, lots of novels, tale, jokes, and more fictions collections are moreover launched, from best seller to one of the most current released.

You may not be perplexed to enjoy all book collections Isuzu Electrical Diagram Npr 87 that we will completely offer. It is not on the costs. Its roughly what you need currently. This Isuzu Electrical Diagram Npr 87, as one of the most practicing sellers here will very be in the course of the best options to review.

<https://staging.conocer.cide.edu/book/uploaded-files/Documents/grade%2011%20question%20paper%20dramatic%20arts.pdf>

Table of Contents Isuzu Electrical Diagram Npr 87

1. Understanding the eBook Isuzu Electrical Diagram Npr 87
 - The Rise of Digital Reading Isuzu Electrical Diagram Npr 87
 - Advantages of eBooks Over Traditional Books
2. Identifying Isuzu Electrical Diagram Npr 87
 - Exploring Different Genres
 - Considering Fiction vs. Non-Fiction
 - Determining Your Reading Goals
3. Choosing the Right eBook Platform
 - Popular eBook Platforms
 - Features to Look for in an Isuzu Electrical Diagram Npr 87
 - User-Friendly Interface
4. Exploring eBook Recommendations from Isuzu Electrical Diagram Npr 87
 - Personalized Recommendations
 - Isuzu Electrical Diagram Npr 87 User Reviews and Ratings
 - Isuzu Electrical Diagram Npr 87 and Bestseller Lists
5. Accessing Isuzu Electrical Diagram Npr 87 Free and Paid eBooks

- Isuzu Electrical Diagram Npr 87 Public Domain eBooks
 - Isuzu Electrical Diagram Npr 87 eBook Subscription Services
 - Isuzu Electrical Diagram Npr 87 Budget-Friendly Options
6. Navigating Isuzu Electrical Diagram Npr 87 eBook Formats
 - ePub, PDF, MOBI, and More
 - Isuzu Electrical Diagram Npr 87 Compatibility with Devices
 - Isuzu Electrical Diagram Npr 87 Enhanced eBook Features
 7. Enhancing Your Reading Experience
 - Adjustable Fonts and Text Sizes of Isuzu Electrical Diagram Npr 87
 - Highlighting and Note-Taking Isuzu Electrical Diagram Npr 87
 - Interactive Elements Isuzu Electrical Diagram Npr 87
 8. Staying Engaged with Isuzu Electrical Diagram Npr 87
 - Joining Online Reading Communities
 - Participating in Virtual Book Clubs
 - Following Authors and Publishers Isuzu Electrical Diagram Npr 87
 9. Balancing eBooks and Physical Books Isuzu Electrical Diagram Npr 87
 - Benefits of a Digital Library
 - Creating a Diverse Reading Collection Isuzu Electrical Diagram Npr 87
 10. Overcoming Reading Challenges
 - Dealing with Digital Eye Strain
 - Minimizing Distractions
 - Managing Screen Time
 11. Cultivating a Reading Routine Isuzu Electrical Diagram Npr 87
 - Setting Reading Goals Isuzu Electrical Diagram Npr 87
 - Carving Out Dedicated Reading Time
 12. Sourcing Reliable Information of Isuzu Electrical Diagram Npr 87
 - Fact-Checking eBook Content of Isuzu Electrical Diagram Npr 87
 - Distinguishing Credible Sources
 13. Promoting Lifelong Learning
 - Utilizing eBooks for Skill Development

- Exploring Educational eBooks
14. Embracing eBook Trends
- Integration of Multimedia Elements
 - Interactive and Gamified eBooks

Isuzu Electrical Diagram Npr 87 Introduction

In today's digital age, the availability of Isuzu Electrical Diagram Npr 87 books and manuals for download has revolutionized the way we access information. Gone are the days of physically flipping through pages and carrying heavy textbooks or manuals. With just a few clicks, we can now access a wealth of knowledge from the comfort of our own homes or on the go. This article will explore the advantages of Isuzu Electrical Diagram Npr 87 books and manuals for download, along with some popular platforms that offer these resources. One of the significant advantages of Isuzu Electrical Diagram Npr 87 books and manuals for download is the cost-saving aspect. Traditional books and manuals can be costly, especially if you need to purchase several of them for educational or professional purposes. By accessing Isuzu Electrical Diagram Npr 87 versions, you eliminate the need to spend money on physical copies. This not only saves you money but also reduces the environmental impact associated with book production and transportation. Furthermore, Isuzu Electrical Diagram Npr 87 books and manuals for download are incredibly convenient. With just a computer or smartphone and an internet connection, you can access a vast library of resources on any subject imaginable. Whether you're a student looking for textbooks, a professional seeking industry-specific manuals, or someone interested in self-improvement, these digital resources provide an efficient and accessible means of acquiring knowledge. Moreover, PDF books and manuals offer a range of benefits compared to other digital formats. PDF files are designed to retain their formatting regardless of the device used to open them. This ensures that the content appears exactly as intended by the author, with no loss of formatting or missing graphics. Additionally, PDF files can be easily annotated, bookmarked, and searched for specific terms, making them highly practical for studying or referencing. When it comes to accessing Isuzu Electrical Diagram Npr 87 books and manuals, several platforms offer an extensive collection of resources. One such platform is Project Gutenberg, a nonprofit organization that provides over 60,000 free eBooks. These books are primarily in the public domain, meaning they can be freely distributed and downloaded. Project Gutenberg offers a wide range of classic literature, making it an excellent resource for literature enthusiasts. Another popular platform for Isuzu Electrical Diagram Npr 87 books and manuals is Open Library. Open Library is an initiative of the Internet Archive, a non-profit organization dedicated to digitizing cultural artifacts and making them accessible to the public. Open Library hosts millions of books, including both public domain works and contemporary titles. It also allows users to borrow digital copies of certain books for a limited period, similar to a library lending system. Additionally, many universities

and educational institutions have their own digital libraries that provide free access to PDF books and manuals. These libraries often offer academic texts, research papers, and technical manuals, making them invaluable resources for students and researchers. Some notable examples include MIT OpenCourseWare, which offers free access to course materials from the Massachusetts Institute of Technology, and the Digital Public Library of America, which provides a vast collection of digitized books and historical documents. In conclusion, Isuzu Electrical Diagram Npr 87 books and manuals for download have transformed the way we access information. They provide a cost-effective and convenient means of acquiring knowledge, offering the ability to access a vast library of resources at our fingertips. With platforms like Project Gutenberg, Open Library, and various digital libraries offered by educational institutions, we have access to an ever-expanding collection of books and manuals. Whether for educational, professional, or personal purposes, these digital resources serve as valuable tools for continuous learning and self-improvement. So why not take advantage of the vast world of Isuzu Electrical Diagram Npr 87 books and manuals for download and embark on your journey of knowledge?

FAQs About Isuzu Electrical Diagram Npr 87 Books

1. Where can I buy Isuzu Electrical Diagram Npr 87 books? Bookstores: Physical bookstores like Barnes & Noble, Waterstones, and independent local stores. Online Retailers: Amazon, Book Depository, and various online bookstores offer a wide range of books in physical and digital formats.
2. What are the different book formats available? Hardcover: Sturdy and durable, usually more expensive. Paperback: Cheaper, lighter, and more portable than hardcovers. E-books: Digital books available for e-readers like Kindle or software like Apple Books, Kindle, and Google Play Books.
3. How do I choose a Isuzu Electrical Diagram Npr 87 book to read? Genres: Consider the genre you enjoy (fiction, non-fiction, mystery, sci-fi, etc.). Recommendations: Ask friends, join book clubs, or explore online reviews and recommendations. Author: If you like a particular author, you might enjoy more of their work.
4. How do I take care of Isuzu Electrical Diagram Npr 87 books? Storage: Keep them away from direct sunlight and in a dry environment. Handling: Avoid folding pages, use bookmarks, and handle them with clean hands. Cleaning: Gently dust the covers and pages occasionally.
5. Can I borrow books without buying them? Public Libraries: Local libraries offer a wide range of books for borrowing. Book Swaps: Community book exchanges or online platforms where people exchange books.
6. How can I track my reading progress or manage my book collection? Book Tracking Apps: Goodreads, LibraryThing,

and Book Catalogue are popular apps for tracking your reading progress and managing book collections. Spreadsheets: You can create your own spreadsheet to track books read, ratings, and other details.

7. What are Isuzu Electrical Diagram Npr 87 audiobooks, and where can I find them? Audiobooks: Audio recordings of books, perfect for listening while commuting or multitasking. Platforms: Audible, LibriVox, and Google Play Books offer a wide selection of audiobooks.
8. How do I support authors or the book industry? Buy Books: Purchase books from authors or independent bookstores. Reviews: Leave reviews on platforms like Goodreads or Amazon. Promotion: Share your favorite books on social media or recommend them to friends.
9. Are there book clubs or reading communities I can join? Local Clubs: Check for local book clubs in libraries or community centers. Online Communities: Platforms like Goodreads have virtual book clubs and discussion groups.
10. Can I read Isuzu Electrical Diagram Npr 87 books for free? Public Domain Books: Many classic books are available for free as they're in the public domain. Free E-books: Some websites offer free e-books legally, like Project Gutenberg or Open Library.

Find Isuzu Electrical Diagram Npr 87 :

grade 11 question paper dramatic arts

grade 1 english poetry study guide

grade 11 september 2014 maths literacy memorandum

grade 1 accountancy exam papers cbse

grade 11 life sciences common paper march 2014

grade 12 business studies september 2013

grade 11 pure maths paper 1 final exam

grade 12 june question paper of economics

grade 11 setswana hl p2 mke

grade 12 june exam for 2014

grade 12 geography paper 2015

grade 12 nsc preparatory exam papers 2009

grade 12 mathematical literacy p1 limpopo

grade 12 life science exemplar caps

grade 12 business studies term 1 2014 paper

Isuzu Electrical Diagram Npr 87 :

[breaking free how i escaped polygamy the flds cult and my](#) - Aug 09 2022

web by rachel jeffs 4 5 5 140 ratings about this ebook in this searing memoir of survival in the spirit of stolen innocence the daughter of warren jeffs the self proclaimed prophet

breaking free how i escaped polygamy the flds cult and my - Feb 15 2023

web jan 2 2018 a searing memoir of survival the daughter of the jailed former leader of the flds church reveals the true nature of the cult and how she escaped in this searing

[breaking free how i escaped polygamy the flds cult and my](#) - Oct 11 2022

web in this searing memoir of survival in the spirit of stolen innocence the daughter of warren jeffs the self proclaimed prophet of the flds church takes you deep inside the

breaking free how i escaped polygamy the flds cult and my - Jun 19 2023

web breaking free how i escaped polygamy the flds cult and my father warren jeffs library edition jeffs rachel amazon sg books

breaking free how i escaped polygamy the flds cult and my - May 18 2023

web 13 49 ebook free sample switch to the audiobook about this ebook arrow forward in this searing memoir of survival in the spirit of stolen innocence the daughter of warren jeffs

breaking free by rachel jeffs ebook scribd - Jul 08 2022

web nov 14 2017 in this searing memoir of survival in the spirit of stolen innocence the daughter of warren jeffs the self proclaimed prophet of the flds church takes you

download pdf breaking free how i escaped polygamy the - Apr 05 2022

[breaking free how i escaped polygamy the flds cult and my](#) - Nov 12 2022

web breaking free how i escaped polygamy the flds cult and my father warren jeffs jeffs rachel author free download borrow and streaming internet archive

breaking free how i escaped polygamy the flds cult and my - Jul 20 2023

web 8 rows nov 14 2017 in this searing memoir of survival in the spirit of stolen innocence the daughter of warren jeffs

breaking free by rachel jeffs overdrive - Jun 07 2022

web breaking free how i escaped polygamy the flds cult and my father warren jeffs by jeffs rachel isbn 10 0062670522 isbn

13 9780062670526 harper 2017

breaking free how i escaped polygamy the flds cult and my - Dec 13 2022

web read by the author rachel jeffs in this searing memoir of survival in the spirit of stolen innocence the daughter of warren jeffs the self proclaimed prophet of the flds

breaking free how i escaped polygamy the flds cult and my - May 06 2022

web may 22 2023 breaking free how i escaped polygamy the flds cult and my father warren jeffs

breaking free how i escaped polygamy the flds cult and my - Jan 14 2023

web jan 2 2018 booktopia has breaking free how i escaped polygamy the flds cult and my father warren jeffs by rachel jeffs buy a discounted paperback of breaking free

breaking free how i escaped polygamy the flds - Apr 17 2023

web nov 13 2018 in this searing memoir of survival in the spirit of stolen innocence the daughter of warren jeffs the self proclaimed prophet of the flds church takes you

breaking free how i escaped polygamy the flds - Sep 22 2023

web jan 2 2018 breaking free how i escaped polygamy the flds cult and my father warren jeffs kindle edition by rachel jeffs author format kindle edition 4 6 2 636

breaking free how i escaped polygamy the flds cult and my - Sep 10 2022

web breaking free how i escaped polygamy the flds cult and my father warren jeffs kindle edition by rachel jeffs author format kindle edition 4 5 2 584 ratings see all

breaking free how i escaped polygamy the flds cult and my - Aug 21 2023

web breaking free how i escaped polygamy the flds cult and my father warren jeffs jeffs rachel amazon sg books

breaking free how i escaped polygamy the flds - Oct 23 2023

web nov 14 2017 in this searing memoir of survival in the spirit of stolen innocence the daughter of warren jeffs the self proclaimed prophet of the flds church takes you

breaking free harpercollins - Mar 16 2023

web but breaking free is not only her story rachel s experiences illuminate those of her family and the countless others who remain trapped in the strange world she left behind a

projekt 1065 a novel of world war ii google books - Jul 03 2023

web oct 11 2016 he and his parents are spies michael despises everything the nazis stand for but he joins in the hitler youth s horrific games and book burnings playing the part so he can gain insider

projekt 1065 summary and study guide supersummary - Oct 06 2023

web projekt 1065 is a young adult historical novel by alan gratz first published in 2016 the novel which centers on the son of the irish ambassador to germany during world war ii received starred reviews in kirkus and the school library journal

[projekt 1065 a novel of world war ii google play](#) - Feb 27 2023

web expand more projekt 1065 a novel of world war ii ebook written by alan gratz read this book using google play books app on your pc android ios devices download for offline reading

projekt 1065 a novel of world war ii barnes noble - Jan 29 2023

web oct 11 2016 he and his parents are spies michael despises everything the nazis stand for but he joins in the hitler youth s horrific games and book burnings playing the part so he can gain insider knowledge when michael learns about projekt 1065 a secret nazi war mission things get even more complicated

projekt 1065 a novel of world war ii by alan gratz goodreads - Sep 05 2023

web oct 11 2016 4 36 16 275 ratings 1 843 reviews infiltrate befriend sabotage world war ii is raging michael o shaunessey originally from ireland now lives in nazi germany with his parents like the other boys in his school michael is a member of the hitler youth but michael has a secret

[projekt 1065 kirkus reviews](#) - Mar 31 2023

web oct 11 2016 projekt 1065 a novel of world war ii by alan gratz release date oct 11 2016 a rare insider s glimpse into the hitler youth animated well researched and thought provoking the son of the irish ambassador to germany poses as a member of the hitler youth in order to support the allies during world war ii

[projekt 1065 a novel of world war ii apple books](#) - Dec 28 2022

web oct 11 2016 projekt 1065 a novel of world war ii on apple books award winning critically acclaimed author alan gratz i prisoner b 3087 i returns with another gripping world war ii story this time about a spy in the hitler youth infiltrate befriend sabotage world war ii is raging

[projekt 1065 a novel of world war ii amazon com](#) - Jun 02 2023

web nov 29 2016 projekt 1065 a novel of world war ii is written by alan gratz this book is definitely acceptable for 3 7 grades but i suggest at least 6th as the basic content may be a little over the heads of 3 5 grades michael o shaunessey of ireland lives in berlin in nazi germany with his parents

[projekt 1065 a novel of world war ii google books](#) - May 01 2023

web when michael learns about projekt 1065 a secret nazi war mission things get even more complicated he must prove his loyalty to the hitler youth at all costs even if it means risking everything he cares about including his own life

projekt 1065 alan gratz - Aug 04 2023

web projekt 1065 infiltrate befriend sabotage world war ii is raging michael o shaunessey the son of the irish ambassador to

nazi germany lives in war torn berlin with his parents like the other boys at his school michael is a member of the hitler youth but michael has a secret he and his parents are spies

la pa c nitence des damna c s poche pdf willowoodco - Feb 10 2023

web mar 9 2023 this la pa c nitence des damna c s poche pdf as one of the most keen sellers here will entirely be along with the best options to review the corner that held

la pa c nitence des damna c s poche pdf download only - Jan 09 2023

web la pa c nitence des damna c s poche pdf is clear in our digital library an online admission to it is set as public fittingly you can download it instantly our digital library

la pa c nitence des damna c s poche pdf - Oct 26 2021

web la pa c nitence des damna c s poche pdf is available in our book collection an online access to it is set as public so you can download it instantly our book servers spans in

la pa c nitence des damna c s poche pdf - Jun 14 2023

web la pa c nitence des damna c s poche rerum britannicarum medii aevi scriptores sep 09 2021 a new abridgment of the law with large additions and corrections oct 22

la pa c nitence des damna c s poche pdf uniport edu - May 13 2023

web aug 27 2023 ancienne et nouvelle discipline de l eglise touchant les benefices et les beneficiers divisée en quatre parties chaque partie contenant quatre livres

la pa c nitence des damna c s poche jacques le goff 2023 - Dec 28 2021

web merely said the la pa c nitence des damna c s poche is universally compatible with any devices to read the egyptian hermes garth fowden 1993 06 21 sage scientist and

le palace paris notre dame des champs tripadvisor - Mar 31 2022

web oct 10 2015 le palace unclaimed review save share 45 reviews 6 552 of 14 429 restaurants in paris french european 3 rue blaise desgoffe 75006 paris

la pénitence des damnés poche by peter tremayne corine - Mar 11 2023

web selon un rituel qui va à l encontre de la justice de cashel dépêchée par son frère pour enquêter sur place sœur fidelma et son compagnon eadulf découvrent que le

song and lyrics by francesco paolo tosti leo nucci spotify - Sep 05 2022

web francesco paolo tosti leo nucci song 2014

la pa c nitence des damna c s poche download only - Nov 26 2021

web mar 18 2023 la pa c nitence des damna c s poche right here we have countless ebook la pa c nitence des damna c s

poche and collections to check out we

la pa c nitence des damna c s poche 2022 old botswanalaws - May 01 2022

web all we manage to pay for la pa c nitence des damna c s poche and numerous book collections from fictions to scientific research in any way in the midst of them is this la

lapacı ne demek tdk ya göre lapacı sözlük anlamı nedir - Feb 27 2022

web aug 27 2021 lapacı kelimesi tdk anlamı lapacı kelimesi dilimizde sıklıkla karşımıza çıkan sözcükler arasındadır tdk ye göre lapacı kelimesi ise şu anlama

la casa de papel de İstanbul sahnesi dünyaya damga vurdu - Jan 29 2022

web dec 6 2021 la casa de papel in berlin i pedro alonso nun İstanbul sevgisi de bu iddiaları güçlendirdi hatta kıvanç tatlıtuğ un oynayacağı bile ortaya atıldı

la pénitence des damnés poche by peter tremayne corine - Aug 16 2023

web assassiné dans la forteresse de son vieil ennemi uí fidgente le coupable sera exécuté selon un rituel qui va à l'encontre de la justice de cashel dépêchée par son frère pour

la pa c nitence des damna c s poche pdf download only - Apr 12 2023

web mar 27 2023 la pa c nitence des damna c s poche pdf below la pa c nitence des damna c s poche bronislaw geremek

web feb 20 2023 install the la pa c nitence des

la pa c nitence des damna c s poche pdf pdf - Jul 15 2023

web apr 24 2023 it will certainly ease you to see guide la pa c nitence des damna c s poche pdf as you such as by searching the title publisher or authors of guide you

la pa c nitence des damna c s poche pdf copy - Nov 07 2022

web mar 9 2023 this la pa c nitence des damna c s poche pdf but end up in infectious downloads rather than enjoying a good book with a cup of coffee in the afternoon

la pa c nitence des damna c s poche download only - Dec 08 2022

web we allow la pa c nitence des damna c s poche and numerous ebook collections from fictions to scientific research in any way in the course of them is this la pa c nitence

la pa c nitence des damna c s poche pdf eshraqgroup - Jun 02 2022

web la pa c nitence des damna c s poche pdf when somebody should go to the books stores search initiation by shop shelf by shelf it is really problematic this is why we

la pa c nitence des damna c s poche bronislaw geremek - Sep 24 2021

web feb 20 2023 la pa c nitence des damna c s poche when somebody should go to the book stores search establishment by

shop shelf by shelf it is essentially problematic

la pa c nitence des damna c s poche pdf pdf nyc 01 - Aug 04 2022

web mort d un détenu à la prison de bordeaux une enquête publique web10 hours ago la coroner en chef du québec vient de déclencher une enquête publique sur la mort du

download free la pa c nitence des damna c s poche - Oct 06 2022

web la pa c nitence des damna c s poche entretiens spirituels en forme de prières pour servir de préparation a la mort sur ces paroles utinam saperent et intelligerent deut

la pa c nitence des damna c s poche pdf copy voto uneal edu - Jul 03 2022

web about this book la pa c nitence des damna c s poche pdf copy page 5 acknowledgments page 8 about the author page 8 disclaimer page 8 1 promise basics