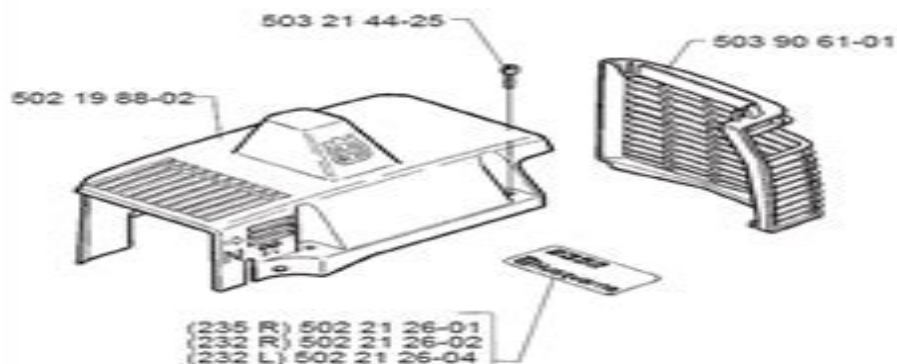
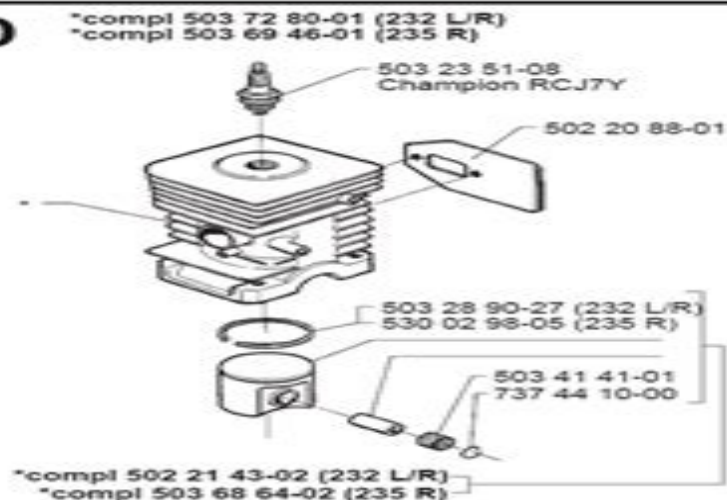
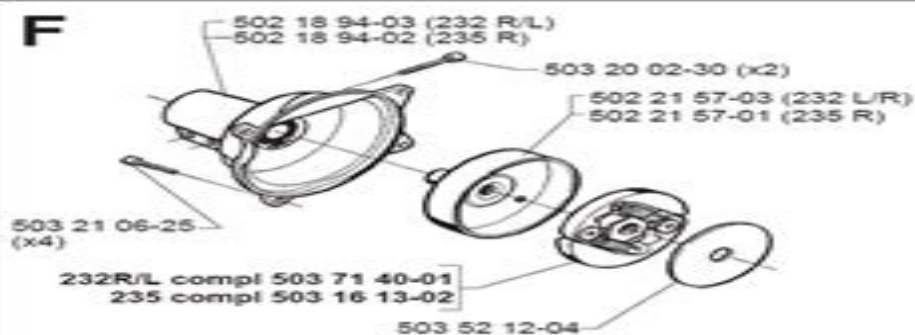
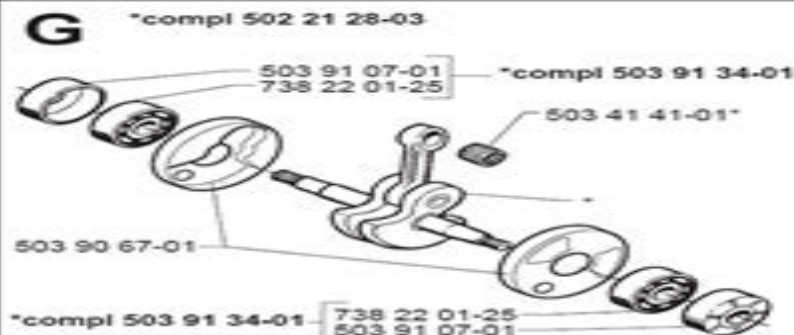
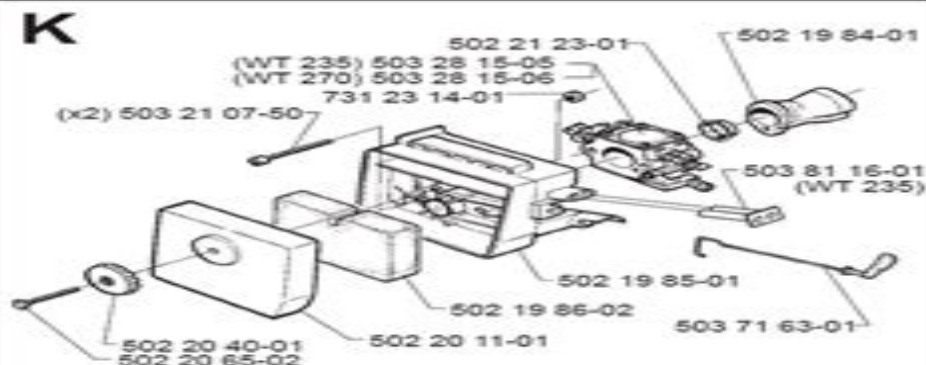
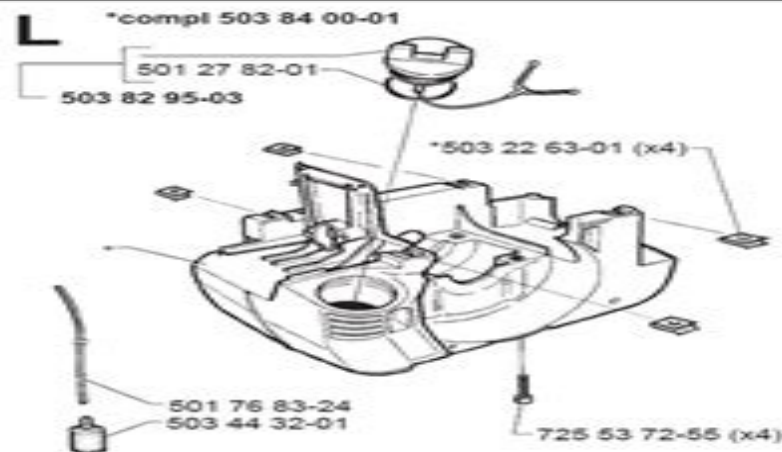


C**D****F****G****K****L**

Husqvarna 232r Workshop Manual

Siddappa N.Byrareddy



Husqvarna 232r Workshop Manual:

Husqvarna Competition Models Owners Workshop Manual Mansur Darlington,1975-01-01 Covers all models from 1972 onwards 125 CR 125 SC 125 WR 175 250 CR 250 WR 360 CR 400 CR 400 WR 450 CR 450 WR 450 WR re designated 460 1973 74 *Workshop Manual 365/371XP* Husqvarna Pty Ltd,199? *HUSQVARNA 125cc - 250cc - 360cc - 400cc - 450cc SINGLES 1965-1975 WORKSHOP MANUAL* Floyd Clymer,2025-04 158 pages and profusely illustrated with more than 300 illustrations diagrams and charts size 8 250 x 10 750 inches Originally published by Floyd Clymer in 1969 with coverage for the 250 360 and 400cc single cylinder Motocross Enduro and Sportsman models from 1965 through the 1969 MG series However as both the 250cc and 400cc models remained in production through 1975 as the MH 1970 MI 1971 MJ 1972 and MK 1973 1975 series the original Clymer manual provided coverage beyond its publication date and effectively included those models from 1965 through 1975 While this 2025 edition includes all of the data from the original publication it has also been expanded to include the 1972 and later 125cc and 450cc MJ and MK series Models covered by engine size year of manufacture are 125 cc 1972 1974 250 cc 1965 1975 360 cc 1966 1971 400 cc 1969 1975 450 cc 1972 1974 We encourage you to exercise caution when purchasing technical publications for your classic motorcycle or automobile as many of the reprints found on internet websites are from bedroom sellers at enticingly low prices by individuals that really have no idea what they are selling Many are nothing more than poor quality digital or comb bound photocopies that are scanned or printed complete with greasy pages and thumbprints and as such are deceptively described as pre owned used or even refurbished In addition they are often advertised for the incorrect series and or model years However VelocePress com has been publishing reprints of motorcycle and automobile manuals since 2003 and our publications have earned excellent reviews worldwide so you can be assured you are purchasing a quality product Hino Workshop Manual ,1984* Toyota Pick-Up Owners Workshop Manual John B. Raffa,John Harold Haynes,1983 **Motor Repair Manual ... Fifth Edition [of "Motor Repair Work"]**, Etc MOTOR REPAIR MANUAL.,1930 Hillman Hunter Owner's Workshop Manual John Harold Haynes,David Horsfall Stead,1971 **Motor Repair Manual ... Fourth Edition [of "Motor Repair Work"]**, Etc MOTOR REPAIR MANUAL.,1925 **Nissan/Datsun Cherry (N12) Sept. 1982 to 1986 All Models (987cc, 1269cc, 1488cc)** A. K. Legg,1990 **Sprite & Midget Owner's Workshop Manual** John Harold Haynes,1971 **Husqvarna 154** ,1987 **BSA Bantam Owners Workshop Manual** Jeff Clew,1973 *Workshop Manual for the 7 1* ,196? **Hillman/Chrysler Hunter & Minx 1966 to 1979, 1496 Cc, 1725 Cc** John Fowler,1980 **Workshop Manual** ,1972 **The Vogue, Series I, II, and III Workshop Manual** Rootes Motors. Service Division,1964 Toyota 1000 Owners Workshop Manual John Harold Haynes,Marcus Stewart Daniels,1977 **Subaru Liberty Automotive Repair Manual** Tim Imhoff,John Harold Haynes,1999 Liberty models including Liberty Outback 2 2L 2 5 L engines including turbo **Workshop Manual** ,1972 **Hillman Hunter Owners Workshop Manual** John Harold Haynes,1977

Delve into the emotional tapestry woven by Emotional Journey with in Experience **Husqvarna 232r Workshop Manual** . This ebook, available for download in a PDF format (*), is more than just words on a page; it's a journey of connection and profound emotion. Immerse yourself in narratives that tug at your heartstrings. Download now to experience the pulse of each page and let your emotions run wild.

<https://staging.conocer.cide.edu/About/uploaded-files/fetch.php/Learjet%20Flight%20Manual.pdf>

Table of Contents Husqvarna 232r Workshop Manual

1. Understanding the eBook Husqvarna 232r Workshop Manual
 - The Rise of Digital Reading Husqvarna 232r Workshop Manual
 - Advantages of eBooks Over Traditional Books
2. Identifying Husqvarna 232r Workshop Manual
 - Exploring Different Genres
 - Considering Fiction vs. Non-Fiction
 - Determining Your Reading Goals
3. Choosing the Right eBook Platform
 - Popular eBook Platforms
 - Features to Look for in an Husqvarna 232r Workshop Manual
 - User-Friendly Interface
4. Exploring eBook Recommendations from Husqvarna 232r Workshop Manual
 - Personalized Recommendations
 - Husqvarna 232r Workshop Manual User Reviews and Ratings
 - Husqvarna 232r Workshop Manual and Bestseller Lists
5. Accessing Husqvarna 232r Workshop Manual Free and Paid eBooks
 - Husqvarna 232r Workshop Manual Public Domain eBooks
 - Husqvarna 232r Workshop Manual eBook Subscription Services
 - Husqvarna 232r Workshop Manual Budget-Friendly Options

6. Navigating Husqvarna 232r Workshop Manual eBook Formats
 - ePub, PDF, MOBI, and More
 - Husqvarna 232r Workshop Manual Compatibility with Devices
 - Husqvarna 232r Workshop Manual Enhanced eBook Features
7. Enhancing Your Reading Experience
 - Adjustable Fonts and Text Sizes of Husqvarna 232r Workshop Manual
 - Highlighting and Note-Taking Husqvarna 232r Workshop Manual
 - Interactive Elements Husqvarna 232r Workshop Manual
8. Staying Engaged with Husqvarna 232r Workshop Manual
 - Joining Online Reading Communities
 - Participating in Virtual Book Clubs
 - Following Authors and Publishers Husqvarna 232r Workshop Manual
9. Balancing eBooks and Physical Books Husqvarna 232r Workshop Manual
 - Benefits of a Digital Library
 - Creating a Diverse Reading Collection Husqvarna 232r Workshop Manual
10. Overcoming Reading Challenges
 - Dealing with Digital Eye Strain
 - Minimizing Distractions
 - Managing Screen Time
11. Cultivating a Reading Routine Husqvarna 232r Workshop Manual
 - Setting Reading Goals Husqvarna 232r Workshop Manual
 - Carving Out Dedicated Reading Time
12. Sourcing Reliable Information of Husqvarna 232r Workshop Manual
 - Fact-Checking eBook Content of Husqvarna 232r Workshop Manual
 - Distinguishing Credible Sources
13. Promoting Lifelong Learning
 - Utilizing eBooks for Skill Development
 - Exploring Educational eBooks
14. Embracing eBook Trends
 - Integration of Multimedia Elements

- Interactive and Gamified eBooks

Husqvarna 232r Workshop Manual Introduction

Free PDF Books and Manuals for Download: Unlocking Knowledge at Your Fingertips In today's fast-paced digital age, obtaining valuable knowledge has become easier than ever. Thanks to the internet, a vast array of books and manuals are now available for free download in PDF format. Whether you are a student, professional, or simply an avid reader, this treasure trove of downloadable resources offers a wealth of information, conveniently accessible anytime, anywhere. The advent of online libraries and platforms dedicated to sharing knowledge has revolutionized the way we consume information. No longer confined to physical libraries or bookstores, readers can now access an extensive collection of digital books and manuals with just a few clicks. These resources, available in PDF, Microsoft Word, and PowerPoint formats, cater to a wide range of interests, including literature, technology, science, history, and much more. One notable platform where you can explore and download free Husqvarna 232r Workshop Manual PDF books and manuals is the internet's largest free library. Hosted online, this catalog compiles a vast assortment of documents, making it a veritable goldmine of knowledge. With its easy-to-use website interface and customizable PDF generator, this platform offers a user-friendly experience, allowing individuals to effortlessly navigate and access the information they seek. The availability of free PDF books and manuals on this platform demonstrates its commitment to democratizing education and empowering individuals with the tools needed to succeed in their chosen fields. It allows anyone, regardless of their background or financial limitations, to expand their horizons and gain insights from experts in various disciplines. One of the most significant advantages of downloading PDF books and manuals lies in their portability. Unlike physical copies, digital books can be stored and carried on a single device, such as a tablet or smartphone, saving valuable space and weight. This convenience makes it possible for readers to have their entire library at their fingertips, whether they are commuting, traveling, or simply enjoying a lazy afternoon at home. Additionally, digital files are easily searchable, enabling readers to locate specific information within seconds. With a few keystrokes, users can search for keywords, topics, or phrases, making research and finding relevant information a breeze. This efficiency saves time and effort, streamlining the learning process and allowing individuals to focus on extracting the information they need. Furthermore, the availability of free PDF books and manuals fosters a culture of continuous learning. By removing financial barriers, more people can access educational resources and pursue lifelong learning, contributing to personal growth and professional development. This democratization of knowledge promotes intellectual curiosity and empowers individuals to become lifelong learners, promoting progress and innovation in various fields. It is worth noting that while accessing free Husqvarna 232r Workshop Manual PDF books and manuals is convenient and cost-effective, it is vital to respect copyright laws and intellectual property rights. Platforms offering free downloads often operate within legal

boundaries, ensuring that the materials they provide are either in the public domain or authorized for distribution. By adhering to copyright laws, users can enjoy the benefits of free access to knowledge while supporting the authors and publishers who make these resources available. In conclusion, the availability of Husqvarna 232r Workshop Manual free PDF books and manuals for download has revolutionized the way we access and consume knowledge. With just a few clicks, individuals can explore a vast collection of resources across different disciplines, all free of charge. This accessibility empowers individuals to become lifelong learners, contributing to personal growth, professional development, and the advancement of society as a whole. So why not unlock a world of knowledge today? Start exploring the vast sea of free PDF books and manuals waiting to be discovered right at your fingertips.

FAQs About Husqvarna 232r Workshop Manual Books

1. Where can I buy Husqvarna 232r Workshop Manual books? Bookstores: Physical bookstores like Barnes & Noble, Waterstones, and independent local stores. Online Retailers: Amazon, Book Depository, and various online bookstores offer a wide range of books in physical and digital formats.
2. What are the different book formats available? Hardcover: Sturdy and durable, usually more expensive. Paperback: Cheaper, lighter, and more portable than hardcovers. E-books: Digital books available for e-readers like Kindle or software like Apple Books, Kindle, and Google Play Books.
3. How do I choose a Husqvarna 232r Workshop Manual book to read? Genres: Consider the genre you enjoy (fiction, non-fiction, mystery, sci-fi, etc.). Recommendations: Ask friends, join book clubs, or explore online reviews and recommendations. Author: If you like a particular author, you might enjoy more of their work.
4. How do I take care of Husqvarna 232r Workshop Manual books? Storage: Keep them away from direct sunlight and in a dry environment. Handling: Avoid folding pages, use bookmarks, and handle them with clean hands. Cleaning: Gently dust the covers and pages occasionally.
5. Can I borrow books without buying them? Public Libraries: Local libraries offer a wide range of books for borrowing. Book Swaps: Community book exchanges or online platforms where people exchange books.
6. How can I track my reading progress or manage my book collection? Book Tracking Apps: Goodreads, LibraryThing, and Book Catalogue are popular apps for tracking your reading progress and managing book collections. Spreadsheets: You can create your own spreadsheet to track books read, ratings, and other details.
7. What are Husqvarna 232r Workshop Manual audiobooks, and where can I find them? Audiobooks: Audio recordings of

- books, perfect for listening while commuting or multitasking. Platforms: Audible, LibriVox, and Google Play Books offer a wide selection of audiobooks.
8. How do I support authors or the book industry? Buy Books: Purchase books from authors or independent bookstores. Reviews: Leave reviews on platforms like Goodreads or Amazon. Promotion: Share your favorite books on social media or recommend them to friends.
 9. Are there book clubs or reading communities I can join? Local Clubs: Check for local book clubs in libraries or community centers. Online Communities: Platforms like Goodreads have virtual book clubs and discussion groups.
 10. Can I read Husqvarna 232r Workshop Manual books for free? Public Domain Books: Many classic books are available for free as they're in the public domain. Free E-books: Some websites offer free e-books legally, like Project Gutenberg or Open Library.

Find Husqvarna 232r Workshop Manual :

learjet flight manual

[learner onsetter manual](#)

[legravere des automates audelagrave de darwin](#)

legat s writing guide plotting the novel michael legat

[led tv circuit diagram](#)

~~learning guide for maple 14~~

[leica tc 1101 total station manual](#)

~~lecc on 4 test f~~

[learning alfresco web scripts](#)

[leatherworking wotlk guide](#)

lego mindstorms car building instructions

learning to love evan daniel english edition

~~legislation manual handling operations regulations 1992~~

legally hotwife working off my husbands mob debt english edition

leaked paper biology 2013 june 3rd ocr

Husqvarna 232r Workshop Manual :

overthrowing evil altars secrets revealed prayers for - Apr 19 2022

web dec 14 2015 overthrowing evil altars is spirit filled it helped me understand how to address certain issues in my life by prayerfully destroying evil alters causing delays and

overthrowing evil altars secrets revealed prayers for - Aug 04 2023

web dec 21 2020 once the secrets of breaking the evil altar has been made known to you then your deliverance from the grip of that evil altar is sure and this what this book will

overthrowing evil altars ebook ndekwu uzor - May 01 2023

web buy overthrowing evil altars 1 by ndekwu uzor isbn 9781909874916 from amazon s book store everyday low prices and free delivery on eligible orders

overthrowing evil altars ebook ndekwu uzor amazon com au - Jul 23 2022

web how evil altars originated why god will always command and instruct his anointed servants to always overthrow altars of darkness erected against them different kinds

the battle of altars spiritual technology for divine - May 21 2022

web overthrowing evil altars pastor uzor ndekwu published by memoirs publishing 2015 isbn 10 1909874914 isbn 13 9781909874916 seller the saint bookstore

overthrowing evil altars kindle edition amazon in - Nov 26 2022

web in this book pastor uzor ndekwu draws from his many years of experience as a deliverance minister to explain why you must overthrow foundational altars and why you must

overthrowing evil altars by ndekwu uzor abebooks - Feb 27 2023

web the role of altars in the realm of existence is very key because altars are meeting places between the physical and the spiritual between the visible and the invisible in one word

overthrowing evil altars jesus sanctuary ministries - Feb 15 2022

overthrowing evil altars kindle edition amazon com - Nov 14 2021

overthrowing evil altars secrets revealed prayers for - Jun 02 2023

web overthrowing evil altars ndekwu uzor published by memoirs publishing 2015 isbn 10 1909874914 isbn 13 9781909874916 seller gf books inc hawthorne ca u s a

overthrowing evil altars secrets revealed prayers - Mar 31 2023

web nov 17 2015 overthrowing evil altars by uzor ndekwu nov 17 2015 memoirs publishing edition paperback
[overthrowing evil altars kindle edition by ndekwu](#) - Jul 03 2023

web in this book pastor uzor ndekwu draws from his many years of experience as a deliverance minister to explain why you must overthrow foundational altars and why you must

[overthrowing evil altars by uzor ndekwu goodreads](#) - Oct 06 2023

web nov 17 2015 uzor ndekwu 4 35 84 ratings19 reviews the role of altars in the realm of existence is very key because altars are meeting places between the physical and the

[overthrowing evil altars uzor ndekwu author blackwell s](#) - Aug 24 2022

web you are probably asking how those altars can lose their maintenance over you and your circle of relatives you are questioning the way to efficaciously dismantle destroy or

[overthrowing evil altars paperback 17 nov 2015](#) - Jan 29 2023

web overthrowing evil altars pastor uzor ndekwu read online for free scribd is the world s largest social reading and publishing site open navigation menu

[when evil altars are multiplied overthrowing evil](#) - Sep 24 2022

web may 24 2021 overthrowing evil altars secrets revealed prayers for dismantling evil altars pius joseph 5 00 1 rating1 review if you have been burdened by the attacks of

overthrowing evil altars how to effectively dismantle destroy - Mar 19 2022

overthrowing evil altars pastor uzor ndekwu pdf scribd - Oct 26 2022

web dec 21 2020 4 44 16 ratings3 reviews if you have been burdened by the attacks of evil altars in your life and the lives of your loved ones you are not alone in this battle

[overthrowing evil altars by uzor ndekwu open library](#) - Dec 28 2022

web nov 17 2015 in summary in this book you will find how evil altars originated why god will always command and instruct his anointed servants to always overthrow altars of

[overthrowing evil altars amazon com](#) - Sep 05 2023

web nov 17 2015 paperback 10 24 4 used from 3 99 3 new from 10 24 the role of altars in the realm of existence is very key because altars are meeting places between the

[overthrowing evil altars secrets revealed prayers for](#) - Jun 21 2022

web aug 6 2018 strong overthrowing strong strong evil strong strong altars strong br read and download by click image
bellow more

[ebook overthrowing evil altars free ebook yumpu](#) - Jan 17 2022

overthrowing evil altars by uzor ndekwu abebooks - Dec 16 2021

qatar construction standards qcs 2010 pdf deep - Sep 08 2023

web qatar construction specifications 2010 qcs 2010 iss to provide technical guidance in connection with the execution of constructions in the state of qatar such guidance includes the establishment of acceptable material quality and workmanship for those kinds of work which commonly occur in engineered projects in *qatar construction specifications* - Jun 05 2023

web unless otherwise stated in the project documentation the contractor shall comply with every requirement of the qatar construction specification that is relevant to the type of work forming any part of the contract and shall adopt whichever permissible option or alternative that is best suited to the needs of the construction work being undertaken

section8 qatar construction specifications 2010 - May 04 2023

web section8 qatar construction specifications 2010 section8 qatar construction specifications 2010 free download here pdfdocuments2 com news tagged qcs qatar construction specifications 2010 section 8 sewerage part 1 general qatar construction specification 2010 download june 22nd 2018 26 jun we have a joint *section c specification* - Feb 01 2023

web the qatar national construction specifications qcs2014 revision iv prepared by the qatar general organization for standards and metrology qgosm issued with standard no qs27 2014 dated october 2014 with 2nd edition dated 4 february 2015 and all subsequent revisions and amendments prior to the date of the announcement inviting

section8 qatar construction specifications 2010 pdf book - Jun 24 2022

web section8 qatar construction specifications 2010 pdf thank you entirely much for downloading section8 qatar construction specifications 2010 pdf most likely you have knowledge that people have look numerous time for their favorite books later than this section8 qatar construction specifications 2010 pdf but stop in the works in harmful

[section8 qatar construction specifications 2010](#) - Mar 22 2022

web 2 section8 qatar construction specifications 2010 2022 10 07 analyze and monetize data the report considers policy options for countries to help ensure that they capture a fair part of the value created in the digital economy for inclusive development key issues include the market impact of emerging technologies and digital platforms the

section8 qatar construction specifications 2010 - Oct 29 2022

web section8 qatar construction specifications 2010 downloaded from banking finance gov ie by guest singleton isabel

sustainable development and planning viii encyclopaedia britannica inc the 8th international conference on sustainable development and planning is part of a series of biennial conferences on the

section8 qatar construction specifications 2010 - Aug 27 2022

web section8 qatar construction specifications 2010 this is likewise one of the factors by obtaining the soft documents of this section8 qatar construction specifications 2010 by online you might not require more period to spend to go to the book launch as capably as search for them in some cases you likewise reach not discover the message

section8 qatar construction specifications 2010 - Nov 29 2022

web section8 qatar construction specifications 2010 downloaded from api digital capito eu by guest sage christensen berry kohn s operating room technique 12 e iaea nuclear energy this technical report covers all aspects of the uses of precast concrete piles design manufacture transport handling pitching and driving

qatar national construction standards 2010 contents pdf4pro - Aug 07 2023

web qatar national construction standards 2010 contents qcs 2010 1 general 01 introduction 02 use and maintenance of the site 03 site access and entry onto the site 04 protection 05 interference 06 project meetings 07 submittals 08 quality assurance 09 materials 10 occupational health and safety 11

qatar construction specifications - Apr 03 2023

web section 07 green constructions section 08 drainage works section 09 mechanical and electrical equipment section 10 instrumentation control and automation section 11 health and safety section 12 earthworks related to buildings section 13 masonry section 14 roofing section 15 insulation of buildings section 16 structural steelworks

qcs 2014 qatar construction specifications section 5 - Mar 02 2023

web 3 related sections are as follows es this section part 2 aggregates c part 3 cementitious materials vi part 4 water part 5 admixtures r part 6 property requirements se part 7 concrete plants part 8 transportation and placing of concrete part 9 formwork al part 10 curing part 11 reinforcement part 12 construction joints ic part 13

section8 qatar construction specifications 2010 2023 - Jul 26 2022

web section8 qatar construction specifications 2010 construction technology aug 23 2020 the second edition of construction technology analysis and choice has been expanded to include commercial buildings this now covers in a single textbook all the basic forms of construction studied on professional courses the book takes as its

section8 qatar construction specifications 2010 - May 24 2022

web comprehending as well as accord even more than extra will provide each success neighboring to the broadcast as without difficulty as perception of this section8 qatar construction specifications 2010 can be taken as well as picked to act section8 qatar construction specifications 2010 2019 05 07 nathaniel dayton

section8 qatar construction specifications 2010 - Apr 22 2022

web section8 qatar construction specifications 2010 downloaded from pantera adecco com by guest raiden schultz electric grid reliability and interface with nuclear power plants unesco publishing informed livestock sector policy development and priority setting is heavily dependent on a good understanding of livestock production systems

section8 qatar construction specifications 2010 pdf pdf - Jul 06 2023

web jul 10 2023 thank you extremely much for downloading section8 qatar construction specifications 2010 pdf most likely you have knowledge that people have see numerous period for their favorite books bearing in mind this section8 qatar construction specifications 2010 pdf but stop happening in harmful downloads rather than

qatar construction specifications amended the peninsula qatar - Dec 31 2022

web sep 11 2017 the peninsula ministry of municipality and environment has amended the qatar construction specifications qcs allowing uses of recycled construction wastes and local and imported limestone the

section8 qatar construction specifications 2010 - Sep 27 2022

web the oil gas year qatar 2010 military construction veterans affairs and related agencies appropriations for 2012 military construction veterans affairs and related agencies appropriations for 2011 part 2 february 2010 111 2 hearings section8 qatar construction specifications 2010 downloaded from design bluesquare org by guest

section8 qatar construction specifications 2010 - Oct 09 2023

web section8 qatar construction specifications 2010 3 3 technique 12 e pearson education this study has emerged from an ongoing program of trilateral cooperation between who wto and wipo it responds to an increasing demand particularly in developing countries for strengthened capacity for informed policy making in areas of intersection

section8 qatar construction specifications 2010 - Feb 18 2022

web section8 qatar construction specifications 2010 1 section8 qatar construction specifications 2010 section8 qatar construction specifications 2010 downloaded from portal dlc ui edu ng by guest rory cassidy nfpa 10 standard for portable fire extinguishers 2010 iaea

secondary maths gcse maths edexcel collins - Jan 31 2023

web oct 31 2012 collins new gcse maths edexcel linear student book foundation 1 written by experienced teachers and examiners is organised exactly according to the

secondary maths collins gcse maths edexcel - Aug 06 2023

web aug 24 2015 200 free resources free online supplement url focused on the new assessment objectives gcse maths practice book use and apply standard

collins gcse maths gcse maths edexcel foundation student - Sep 26 2022

web jan 21 2015 gcse maths edexcel higher student book collins gcse maths 22 99 this title will be released on march 21 2024 exam board edexcel level subject

[edexcel gcse maths foundation student book oxford](#) - Mar 01 2023

web may 29 2015 buy gcse maths edexcel foundation student book answer booklet collins gcse maths by isbn 9780008149475 from amazon s book store

edexcel gcse 9 1 mathematics foundation student book - May 03 2023

web description edexcel gcse maths higher student book has been created by experts to help deliver exam success in edexcel s new maths gcse written for higher tier

[collins gcse maths gcse maths edexcel higher student](#) - Dec 18 2021

[collins gcse maths gcse maths edexcel higher student](#) - Jul 25 2022

web oct 24 2023 description edexcel gcse maths higher student book has been created by experts to help deliver exam success in edexcel s new maths gcse written for

gcse maths edexcel foundation student book collins - Sep 07 2023

web this 4th edition of collins gcse maths has been fully revised and updated for the 215 gcse specifications the new edition of this well established text has a new focus on

[edexcel gcse maths foundation student book oxford](#) - Apr 21 2022

web jan 21 2015 this 4th edition of collins gcse maths has been fully revised and updated for the new gcse specifications and endorsed by edexcel the new edition of this well

edexcel gcse 9 1 mathematics foundation student book - Aug 26 2022

web aug 31 2020 endorsed by edexcel collins gcse maths 4th edition foundation student book written by experienced teachers matches the edexcel gcse

collins gcse maths gcse maths edexcel foundation student - Jan 19 2022

gcse maths resources collins co uk - Apr 02 2023

web collins gcse maths edexcel gcse maths achieve grade 7 9 workbook collins gcse maths format paperback publication date 28 03 2018 isbn 978 0 00

[collins igcse maths maths edexcel student book](#) - Nov 16 2021

collins gcse maths gcse maths edexcel foundation student - Oct 08 2023

web 01 09 2015 isbn 978 0 00 811398 8 collins gcse maths 4th edition foundation student book written by experienced teachers matches the edexcel gcse

[collins gcse maths gcse maths edexcel foundation practice](#) - Jun 04 2023

web solving and reasoning skills of gcse maths from collins has been completely to succeed in the new more revised and updated to develop and embed the demanding gcse

collins gcse maths gcse maths aqa foundation student - Feb 17 2022

[edexcel maths foundation practice book by collins](#) - Nov 28 2022

web 29 69 qty our brand new resources are written specifically to tackle the demands of the gcse 9 1 mathematics course the foundation student book is endorsed for use

new gcse maths new gcse maths edexcel linear - Oct 28 2022

web level subject gcse 9 1 maths higher next exams june 2024 working towards edexcel endorsement celebrating over 25 years in print the fifth edition of this classic

[gcse maths edexcel foundation student book google books](#) - Jul 05 2023

web the foundation student book is now endorsed for use with the edexcel gcse 9 1 mathematics specification this book helps students reach a higher level in each topic

gcse maths edexcel foundation student book answer booklet - Dec 30 2022

web apr 28 2015 collins gcse maths 4th edition foundation student book written by experienced teachers matches the edexcel gcse 9 1 maths specification for

[gcse maths edexcel higher student book collins gcse maths](#) - Jun 23 2022

web apr 28 2015 collins gcse maths 4th edition foundation student book written by experienced teachers matches the aqa gcse 9 1 specification for foundation tier

[edexcel international gcse maths student book by](#) - Mar 21 2022

web collins igcse maths maths edexcel student book free download borrow and streaming internet archive collins igcse maths maths edexcel student book

gcse maths edexcel foundation student ebook cour collins - May 23 2022

web may 29 2015 collins gcse maths 4th edition foundation student book written by experienced teachers accompanies the edexcel gcse foundation student book