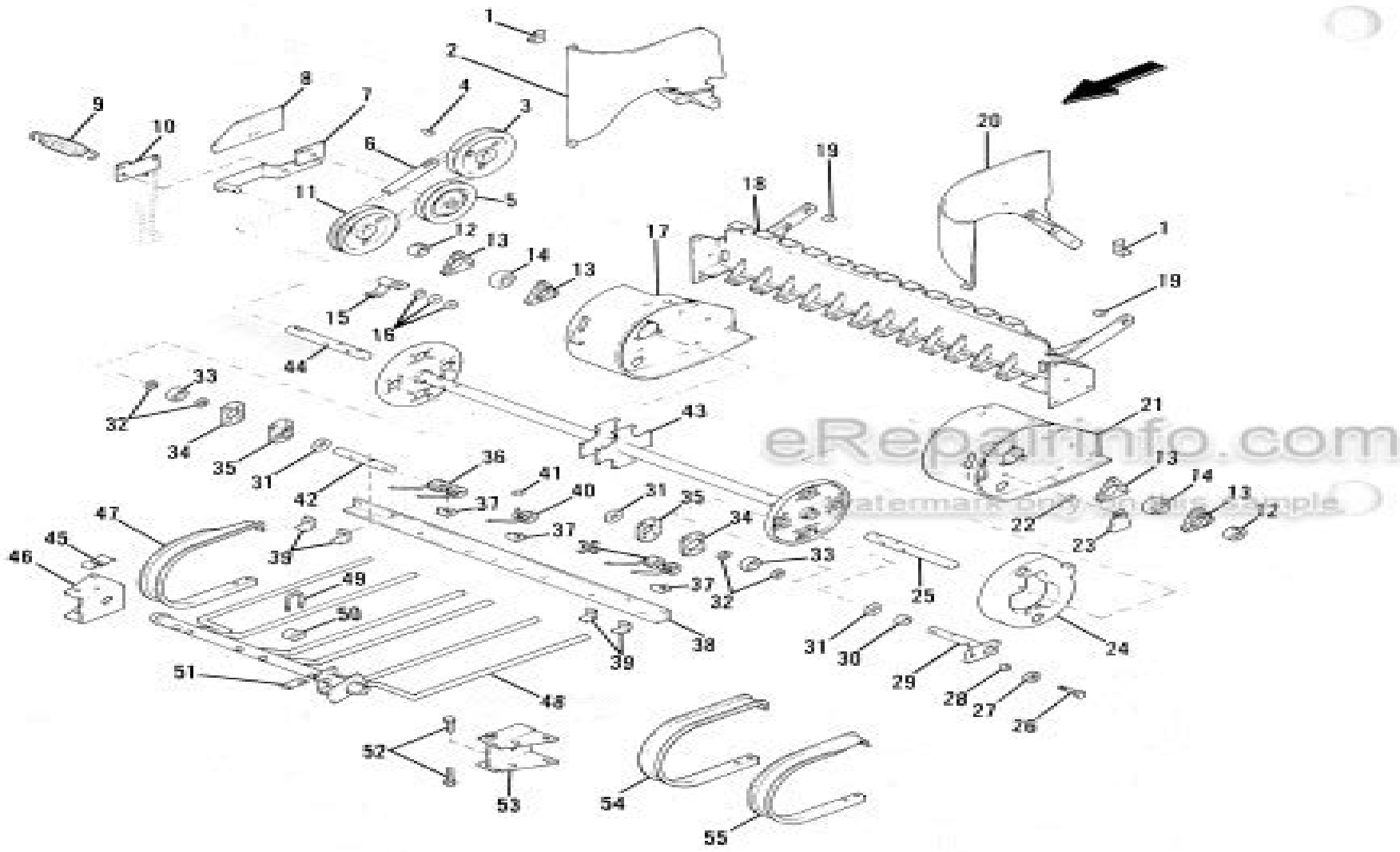


PICKUP



Gehl 1465 Round Baler Manual

Didier Musso



Gehl 1465 Round Baler Manual:

Uncover the mysteries within Explore with is enigmatic creation, Embark on a Mystery with **Gehl 1465 Round Baler Manual** . This downloadable ebook, shrouded in suspense, is available in a PDF format (PDF Size: *). Dive into a world of uncertainty and anticipation. Download now to unravel the secrets hidden within the pages.

https://staging.conocer.cide.edu/About/detail/fetch.php/kenneth_rosen_solution_manual.pdf

Table of Contents Gehl 1465 Round Baler Manual

1. Understanding the eBook Gehl 1465 Round Baler Manual
 - The Rise of Digital Reading Gehl 1465 Round Baler Manual
 - Advantages of eBooks Over Traditional Books
2. Identifying Gehl 1465 Round Baler Manual
 - Exploring Different Genres
 - Considering Fiction vs. Non-Fiction
 - Determining Your Reading Goals
3. Choosing the Right eBook Platform
 - Popular eBook Platforms
 - Features to Look for in an Gehl 1465 Round Baler Manual
 - User-Friendly Interface
4. Exploring eBook Recommendations from Gehl 1465 Round Baler Manual
 - Personalized Recommendations
 - Gehl 1465 Round Baler Manual User Reviews and Ratings
 - Gehl 1465 Round Baler Manual and Bestseller Lists
5. Accessing Gehl 1465 Round Baler Manual Free and Paid eBooks
 - Gehl 1465 Round Baler Manual Public Domain eBooks
 - Gehl 1465 Round Baler Manual eBook Subscription Services
 - Gehl 1465 Round Baler Manual Budget-Friendly Options
6. Navigating Gehl 1465 Round Baler Manual eBook Formats

- ePub, PDF, MOBI, and More
 - Gehl 1465 Round Baler Manual Compatibility with Devices
 - Gehl 1465 Round Baler Manual Enhanced eBook Features
7. Enhancing Your Reading Experience
 - Adjustable Fonts and Text Sizes of Gehl 1465 Round Baler Manual
 - Highlighting and Note-Taking Gehl 1465 Round Baler Manual
 - Interactive Elements Gehl 1465 Round Baler Manual
 8. Staying Engaged with Gehl 1465 Round Baler Manual
 - Joining Online Reading Communities
 - Participating in Virtual Book Clubs
 - Following Authors and Publishers Gehl 1465 Round Baler Manual
 9. Balancing eBooks and Physical Books Gehl 1465 Round Baler Manual
 - Benefits of a Digital Library
 - Creating a Diverse Reading Collection Gehl 1465 Round Baler Manual
 10. Overcoming Reading Challenges
 - Dealing with Digital Eye Strain
 - Minimizing Distractions
 - Managing Screen Time
 11. Cultivating a Reading Routine Gehl 1465 Round Baler Manual
 - Setting Reading Goals Gehl 1465 Round Baler Manual
 - Carving Out Dedicated Reading Time
 12. Sourcing Reliable Information of Gehl 1465 Round Baler Manual
 - Fact-Checking eBook Content of Gehl 1465 Round Baler Manual
 - Distinguishing Credible Sources
 13. Promoting Lifelong Learning
 - Utilizing eBooks for Skill Development
 - Exploring Educational eBooks
 14. Embracing eBook Trends
 - Integration of Multimedia Elements
 - Interactive and Gamified eBooks

Gehl 1465 Round Baler Manual Introduction

In this digital age, the convenience of accessing information at our fingertips has become a necessity. Whether its research papers, eBooks, or user manuals, PDF files have become the preferred format for sharing and reading documents. However, the cost associated with purchasing PDF files can sometimes be a barrier for many individuals and organizations. Thankfully, there are numerous websites and platforms that allow users to download free PDF files legally. In this article, we will explore some of the best platforms to download free PDFs. One of the most popular platforms to download free PDF files is Project Gutenberg. This online library offers over 60,000 free eBooks that are in the public domain. From classic literature to historical documents, Project Gutenberg provides a wide range of PDF files that can be downloaded and enjoyed on various devices. The website is user-friendly and allows users to search for specific titles or browse through different categories. Another reliable platform for downloading Gehl 1465 Round Baler Manual free PDF files is Open Library. With its vast collection of over 1 million eBooks, Open Library has something for every reader. The website offers a seamless experience by providing options to borrow or download PDF files. Users simply need to create a free account to access this treasure trove of knowledge. Open Library also allows users to contribute by uploading and sharing their own PDF files, making it a collaborative platform for book enthusiasts. For those interested in academic resources, there are websites dedicated to providing free PDFs of research papers and scientific articles. One such website is Academia.edu, which allows researchers and scholars to share their work with a global audience. Users can download PDF files of research papers, theses, and dissertations covering a wide range of subjects. Academia.edu also provides a platform for discussions and networking within the academic community. When it comes to downloading Gehl 1465 Round Baler Manual free PDF files of magazines, brochures, and catalogs, Issuu is a popular choice. This digital publishing platform hosts a vast collection of publications from around the world. Users can search for specific titles or explore various categories and genres. Issuu offers a seamless reading experience with its user-friendly interface and allows users to download PDF files for offline reading. Apart from dedicated platforms, search engines also play a crucial role in finding free PDF files. Google, for instance, has an advanced search feature that allows users to filter results by file type. By specifying the file type as "PDF," users can find websites that offer free PDF downloads on a specific topic. While downloading Gehl 1465 Round Baler Manual free PDF files is convenient, its important to note that copyright laws must be respected. Always ensure that the PDF files you download are legally available for free. Many authors and publishers voluntarily provide free PDF versions of their work, but its essential to be cautious and verify the authenticity of the source before downloading Gehl 1465 Round Baler Manual. In conclusion, the internet offers numerous platforms and websites that allow users to download free PDF files legally. Whether its classic literature, research papers, or magazines, there is something for everyone. The platforms mentioned in this article, such as Project Gutenberg, Open Library, Academia.edu, and Issuu, provide access to a vast collection of PDF files. However, users

should always be cautious and verify the legality of the source before downloading Gehl 1465 Round Baler Manual any PDF files. With these platforms, the world of PDF downloads is just a click away.

FAQs About Gehl 1465 Round Baler Manual Books

How do I know which eBook platform is the best for me? Finding the best eBook platform depends on your reading preferences and device compatibility. Research different platforms, read user reviews, and explore their features before making a choice. Are free eBooks of good quality? Yes, many reputable platforms offer high-quality free eBooks, including classics and public domain works. However, make sure to verify the source to ensure the eBook credibility. Can I read eBooks without an eReader? Absolutely! Most eBook platforms offer webbased readers or mobile apps that allow you to read eBooks on your computer, tablet, or smartphone. How do I avoid digital eye strain while reading eBooks? To prevent digital eye strain, take regular breaks, adjust the font size and background color, and ensure proper lighting while reading eBooks. What the advantage of interactive eBooks? Interactive eBooks incorporate multimedia elements, quizzes, and activities, enhancing the reader engagement and providing a more immersive learning experience. Gehl 1465 Round Baler Manual is one of the best book in our library for free trial. We provide copy of Gehl 1465 Round Baler Manual in digital format, so the resources that you find are reliable. There are also many Ebooks of related with Gehl 1465 Round Baler Manual. Where to download Gehl 1465 Round Baler Manual online for free? Are you looking for Gehl 1465 Round Baler Manual PDF? This is definitely going to save you time and cash in something you should think about. If you trying to find then search around for online. Without a doubt there are numerous these available and many of them have the freedom. However without doubt you receive whatever you purchase. An alternate way to get ideas is always to check another Gehl 1465 Round Baler Manual. This method for see exactly what may be included and adopt these ideas to your book. This site will almost certainly help you save time and effort, money and stress. If you are looking for free books then you really should consider finding to assist you try this. Several of Gehl 1465 Round Baler Manual are for sale to free while some are payable. If you arent sure if the books you would like to download works with for usage along with your computer, it is possible to download free trials. The free guides make it easy for someone to free access online library for download books to your device. You can get free download on free trial for lots of books categories. Our library is the biggest of these that have literally hundreds of thousands of different products categories represented. You will also see that there are specific sites catered to different product types or categories, brands or niches related with Gehl 1465 Round Baler Manual. So depending on what exactly you are searching, you will be able to choose e books to suit your own need. Need to access completely for Campbell Biology Seventh Edition book? Access Ebook without any digging. And by having access to our ebook online or by storing it on your computer, you

have convenient answers with Gehl 1465 Round Baler Manual To get started finding Gehl 1465 Round Baler Manual, you are right to find our website which has a comprehensive collection of books online. Our library is the biggest of these that have literally hundreds of thousands of different products represented. You will also see that there are specific sites catered to different categories or niches related with Gehl 1465 Round Baler Manual So depending on what exactly you are searching, you will be able to choose ebook to suit your own need. Thank you for reading Gehl 1465 Round Baler Manual. Maybe you have knowledge that, people have search numerous times for their favorite readings like this Gehl 1465 Round Baler Manual, but end up in harmful downloads. Rather than reading a good book with a cup of coffee in the afternoon, instead they juggled with some harmful bugs inside their laptop. Gehl 1465 Round Baler Manual is available in our book collection an online access to it is set as public so you can download it instantly. Our digital library spans in multiple locations, allowing you to get the most less latency time to download any of our books like this one. Merely said, Gehl 1465 Round Baler Manual is universally compatible with any devices to read.

Find Gehl 1465 Round Baler Manual :

kenneth rosen solution manual

kenya polytechnic university 2015

kent frederick novel abbi glines

kenmore owner manual

kenya literature bureau business book 2

[kenmore dishwasher 66guide](#)

[kenwood tk 372g manual](#)

[kentucky work comp first report forms](#)

kenmore washer manual 80 series

kenworth cruise control diagram

[kenwood ddx6019 owners manual](#)

kenwood ubz user guide

kent kf22 manual

kenwood vr 8s manual

kenmore series 80 washer manual

Gehl 1465 Round Baler Manual :

6 15 trees sentences as tps essentials of linguistics 2nd - Jun 06 2022

web in syntax tree diagram and labelled bracketing are widely employed to characterize hierarchical structures of phrases or sentences a tree diagram or tree is a two

6 13 from constituency to tree diagrams essentials of - Jun 18 2023

web tree diagrams can express the same information as phrase structure rules but can more efficiently express the output of multiple such rules current syntactic theories are

syntax tree diagrams easy exercises youtube - Apr 04 2022

web how do we represent the structure of sentences using syntax trees how do parsers analyze a sentence and automatically build a syntax tree along the way we will cover

drawing syntax trees using a computer department of english - Nov 30 2021

syntax tree diagram esl worksheet by ronykim - Dec 12 2022

web try drawing tree structures for the following sentences using the phrase structure rules below cp c s s np vp vp vp pp np d n s cp vp vp vp cp microsoft word

drawing tree diagrams problems and suggestions academy - Mar 03 2022

web drawing syntax trees using a computer andrew mcintyre students who wish to draw their trees by hand in microsoft word are directed to the link angl hu

ello - Nov 11 2022

web oct 2 2020 crashcourse there are many theories of syntax and different ways to represent grammatical structures but one of the simplest is tree structure diagrams in

some notes and practice problems on syntactic tree structures - May 17 2023

web some notes on drawing syntactic trees in any introduction to linguistics course there comes a time when you are asked to use phrase structure ps rules to draw syntactic

syntax tree chart free syntax tree chart templates edraw - Sep 28 2021

xx5 rev 2015 04 aarhus universitet - Feb 02 2022

web syntax tree chart template a unique and useful tree chart which is beneficial for english learning it is a free customizable template provided for download and print you can also

sample syntax exercises using trees 3 grammar tools - Mar 15 2023

web in syntax we use syntactic trees to demonstrate the rules of a grammar and how these rules combine together to create grammatical phrases and sentences these diagrams

syntactic tree diagram cpp - Aug 20 2023

web by completing this exercise you will recognize the syntactic structure of simple english sentences and phrases construct basic tree diagrams of simple english sentences

syntax trees crash course linguistics 4 youtube - Aug 08 2022

web may 3 2017 syntax tree diagrams 1 1 syntax the analysis of sentence structure 2 2 definition of syntax syntax is the study of the rules governing the way words are

8 analyzing sentence structure nltk - Jan 01 2022

extra syntax practice november 4 2011 try drawing tree - Sep 09 2022

web figure 6 15 tree diagrams showing head initial word order in english in contrast to english japanese is a strictly sov language and in japanese heads always follow their

what is a tree diagram systemic or hierarchy - Oct 30 2021

chapter 1 introduction um - Jul 07 2022

web jul 8 2021 steps to draw syntax tree diagrams learn how to draw syntax tree diagrams here you syntax treediagramshow to draw syntax tree diagrams easily

syntax tree diagrams slideshare - May 05 2022

web in the following text idencfy 1 all the dps 2 all the pps and 3 all the ips the old ma ers which had made the sculptor s dream

tree diagrams textbook exercise corbettmaths - Apr 16 2023

web the following are a sample of trees based exercises and exam questions that have been used in teaching syntax courses at the university of pennsylvania further exercises

syntax exercises linguistics network - Feb 14 2023

web practice problems based on syntax trees problem 01 considering the following grammar e e t t t x f f e id generate the following for

8 1 tree diagrams essentials of linguistics - Oct 10 2022

web drawing tree diagrams is the fundamental skill in the study of syntax it is a common practice to provide visual representation of the internal structure of a phrase or clause

[8 1 tree diagrams essentials of linguistics](#) - Jul 19 2023

web mar 15 2018 this unit introduces the basic vocabulary for tree diagrams tree diagrams are the notation that most syntacticians use to describe how sentences are organized in

syntax tree diagram exercises with answers gate vidyalay - Jan 13 2023

web this unit introduces the basic vocabulary for tree diagrams tree diagrams are the notation that most syntacticians use to describe how sentences are organized in the mental

loading interface goodreads - Mar 31 2022

web may 7 2019 dying for devil s food the eleventh book in the cupcake bakery mystery series by jenn mckinlay is another fun addition to an entertaining series the

dying for devil s food cupcake bakery mystery series book - Jul 03 2022

web buy dying for devil s food cupcake bakery mystery 1 by mckinlay jenn boyce susan online on amazon ae at best prices fast and free shipping free returns cash on

dying for devil s food cupcake bakery mystery book 11 ebook - Dec 28 2021

web may 7 2019 amazon com dying for devil s food cupcake bakery mystery 1 9781974946709 mckinlay jenn boyce susan books

dying for devil s food cupcake bakery mystery 11 chapter 36 - May 01 2022

web discover and share books you love on goodreads

[dying for devil s food cupcake bakery mystery 1 audio cd](#) - Nov 26 2021

web find helpful customer reviews and review ratings for dying for devil s food cupcake bakery mystery at amazon com read honest and unbiased product reviews from our

dying for devil s food a cupcake bakery mystery - Jun 14 2023

web book 11 in the cupcake bakery mystery series a novel by jenn mckinlay as the new york times bestselling series continues it s going to take every recipe the fairy tale

[dying for devil s food cupcake bakery mystery book 11 ebook](#) - Mar 11 2023

web find helpful customer reviews and review ratings for dying for devil s food cupcake bakery mystery book 11 at amazon com read honest and unbiased product reviews

dying for devil s food cupcake bakery mystery 11 - Jul 15 2023

web sep 11 2019 dying for devil s food the eleventh book in the cupcake bakery mystery series by jenn mckinlay is another fun addition to an entertaining series the

[dying for devil s food fantastic fiction](#) - May 13 2023

web may 7 2019 buy dying for devil s food 11 cupcake bakery mystery by mckinlay jenn isbn 9780451492630 from amazon s book store everyday low prices and free

dying for devil s food 11 cupcake bakery mystery abebooks - Nov 07 2022

web amazon in buy dying for devil s food cupcake bakery mystery book online at best prices in india on amazon in read dying for devil s food cupcake bakery mystery

editions of dying for devil s food by jenn mckinlay goodreads - Jan 09 2023

web dying for devil s food the eleventh book in the cupcake bakery mystery series by jenn mckinlay is another fun addition to an entertaining series the three long term

dying for devil s food 11 cupcake bakery mystery - Apr 12 2023

web dying for devil s food cupcake bakery mystery book 11 ebook mckinlay jenn amazon com au kindle store

dying for devil s food cupcake bakery mystery book 11 - Aug 16 2023

web may 7 2019 dying for devil s food is the 11th book in the cupcake bakery mysteries written by jenn mckinlay for all those high school kids who were bullied or all those

dying for devil s food a cupcake bakery mystery ses cd si - Aug 04 2022

web dying for devil s food cupcake bakery mystery series book 11 adobe epub ebook kindle book overdrive read

amazon com customer reviews dying for devil 39 s food - Oct 26 2021

dying for devil s food cupcake bakery mystery paperback - Oct 06 2022

web abebooks com dying for devil s food cupcake bakery mystery 9780451492630 by mckinlay jenn and a great selection of similar new used and collectible books

dying for devil s food cupcake bakery mystery 1 audio cd - Jun 02 2022

web listen to dying for devil s food cupcake bakery mystery 11 chapter 36 on spotify jenn mckinlay susan boyce song 2019

dying for devil s food cupcake bakery mystery softcover - Sep 05 2022

web dying for devil s food a cupcake bakery mystery mckinlay jenn amazon com tr kitap

dying for devil s food cupcake bakery mystery amazon com - Feb 27 2022

web may 7 2019 jenn mckinlay the new york times bestselling author of the cupcake bakery mysteries including wedding cake crumble caramel crush and vanilla

dying for devil s food cupcake bakery mystery 11 barnes - Jan 29 2022

web may 7 2019 dying for devil s food cupcake bakery mystery book 11 ebook mckinlay jenn amazon ca books

amazon com customer reviews dying for devil 39 s food - Feb 10 2023

web dying for devil s food cupcake bakery mystery 11 published september 11th 2019 by wheeler publishing large print large type large print paperback 329 pages

dying for devil s food a cupcake bakery mystery amazon com - Dec 08 2022

web dying for devil s food 11 cupcake bakery mystery by mckinlay jenn at abebooks co uk isbn 10 0451492633 isbn 13 9780451492630 berkley books

thermochemical equations video tutorial practice channels - Jun 17 2023

web coordination isomers 9m learn thermochemical equations with free step by step video explanations and practice problems by experienced tutors

ch 17 prentice hall chemistry chapter 17 thermochemistry - Apr 03 2022

web overview exams course try it risk free for 30 days about this chapter the thermochemistry chapter of this prentice hall chemistry companion course helps

thermochemical equations video tutorial practice channels - May 16 2023

web learn thermochemical equations with free step by step video explanations and practice problems by experienced tutors

chapter 5 thermochemistry 2015 pearson education inc energy - May 04 2022

web thermodynamics the study of energy transformations and thermochemistry which applies the field to chemical reactions specifically 2015 pearson education inc

chapter 5 thermochemistry hcc learning web - Sep 20 2023

web thermochemistry 2015 pearson education inc definitions work energy used to move an object over some distance is work $w = f \cdot d$ where w is work f is the force and

[thermochemistry wikipedia](#) - Mar 02 2022

web thermochemistry is the study of the heat energy which is associated with chemical reactions and or phase changes such as melting and boiling a reaction may release or

[thermochemistry chemistry brightstorm](#) - Nov 10 2022

web conservation of energy second law of thermodynamics entropy 26 videos 2h 36m 9s the time saving online video lessons in the thermochemistry unit explore the roles of

[thermochemistry heat and enthalpy channels for pearson](#) - Jul 18 2023

web thermochemical equations and using the energy term heat of reaction in mole mass problem solving

chapter 5 thermochemistry 2012 pearson education inc dr - Dec 31 2021

web thermal energy it s the energy that is associated with the random motion of atoms and molecules temperature is not the measurement of thermal energy it s depend on

[thermochemistry definition meaning dictionary com](#) - Oct 29 2021

web thermochemistry definition the branch of chemistry dealing with the relationship between chemical action and heat see more

06 thermochemistry full ppt 2018 pearson education ltd - Aug 19 2023

web 2018 pearson education ltd enthalpy if a process takes place at constant pressure and we usually work at atmospheric pressure and the only work done is this

create new possibilities with pearson start learning today - Jan 12 2023

web thermochemistry is the study of the energy changes that accompany chemical reactions and physical processes in this chapter you will learn how to measure and calculate the

[thermochemical equations practice problems channels for](#) - Feb 13 2023

web learn thermochemical equations with free step by step video explanations and practice problems by experienced tutors [mister chemistry](#) - Dec 11 2022

web mister chemistry

[chapter 5 thermochemistry chapter 5 thermochemistry](#) - Jun 05 2022

web chapter 5 notes chapter thermochemistry energy and energy changes forms of energy the capacity to do work or to transfer heat all forms are either kinetic or home ai

3 s thermochemistry study guide chemistry libretexts - Jul 06 2022

web dec 21 2022 thermochemical equations balanced chemical equations that show the associated enthalpy change enthalpy is an extensive property depends on amount of

[cankaya edu tr](#) - Sep 08 2022

web cankaya edu tr

[chapter 17 thermochemistry answers pearson yumpu](#) - Nov 29 2021

web sep 29 2020 answers pearson read free chapter 17 thermochemistry answers pearsonquizlet in addition to observing living organisms darwin studied the preserved

lecture presentation chapter 5 thermochemistry 2015 pearson - Aug 07 2022

web download presentation lecture presentation chapter 5 thermochemistry 2015 pearson education inc james f kirby quinnipiac university hamden ct energy

thermochemistry an overview sciencedirect topics - Feb 01 2022

web including actinides joaquim marçalo john k gibson in handbook on the physics and chemistry of rare earths 2014 4 conclusions and future prospects gas phase ion

pearson chemistry chapter 5 thermo chemistry flashcards - Oct 09 2022

web study with quizlet and memorize flashcards containing terms like thermodynamics thermochemistry energy and more

thermochemical equation channels for pearson - Mar 14 2023

web thermochemical equations and using the energy term heat of reaction in mole mass problem solving

thermochemistry pearsoncmg com - Apr 15 2023

web let s discuss thermochemistry reactions and enthalpy change copyright pearson education inc or its affiliate s all rights reserved