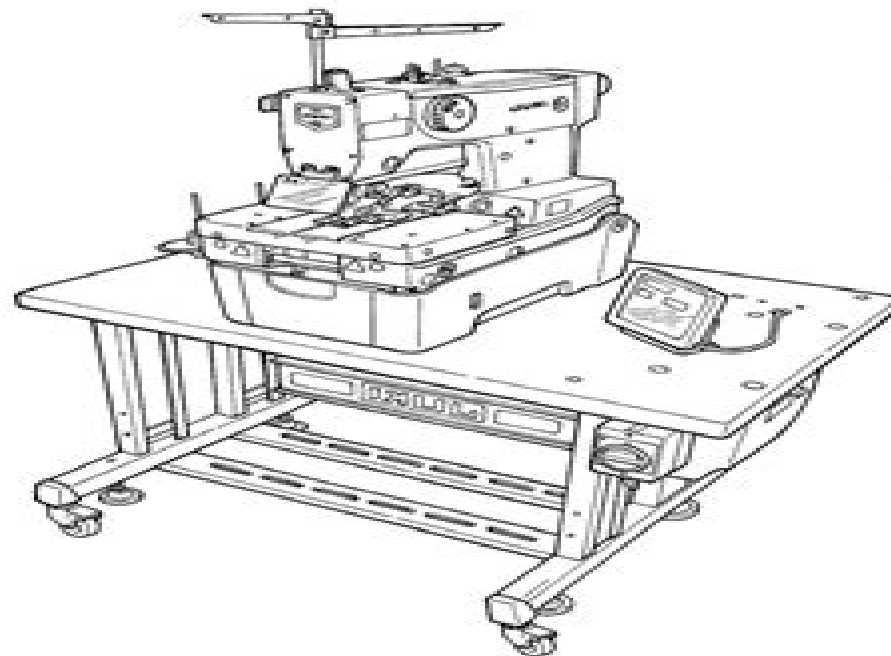


JUKI®

Computer-controlled, Eyelet Buttonholing Machine

MEB-3810

ENGINEER'S MANUAL



40120264
No. E403-00

Juki Sewing Service Manual Meb 3810

**University of Wisconsin. Extension
Service, Lenore Landry**



Juki Sewing Service Manual Meb 3810:

Recognizing the pretension ways to acquire this books **Juki Sewing Service Manual Meb 3810** is additionally useful. You have remained in right site to begin getting this info. get the Juki Sewing Service Manual Meb 3810 connect that we find the money for here and check out the link.

You could buy lead Juki Sewing Service Manual Meb 3810 or acquire it as soon as feasible. You could speedily download this Juki Sewing Service Manual Meb 3810 after getting deal. So, taking into consideration you require the ebook swiftly, you can straight acquire it. Its fittingly categorically easy and suitably fats, isnt it? You have to favor to in this manner

<https://staging.conocer.cide.edu/About/uploaded-files/Documents/Ford%20Mondeo%20Mkiv%20Manual.pdf>

Table of Contents Juki Sewing Service Manual Meb 3810

1. Understanding the eBook Juki Sewing Service Manual Meb 3810
 - The Rise of Digital Reading Juki Sewing Service Manual Meb 3810
 - Advantages of eBooks Over Traditional Books
2. Identifying Juki Sewing Service Manual Meb 3810
 - Exploring Different Genres
 - Considering Fiction vs. Non-Fiction
 - Determining Your Reading Goals
3. Choosing the Right eBook Platform
 - Popular eBook Platforms
 - Features to Look for in an Juki Sewing Service Manual Meb 3810
 - User-Friendly Interface
4. Exploring eBook Recommendations from Juki Sewing Service Manual Meb 3810
 - Personalized Recommendations
 - Juki Sewing Service Manual Meb 3810 User Reviews and Ratings
 - Juki Sewing Service Manual Meb 3810 and Bestseller Lists
5. Accessing Juki Sewing Service Manual Meb 3810 Free and Paid eBooks

- Juki Sewing Service Manual Meb 3810 Public Domain eBooks
 - Juki Sewing Service Manual Meb 3810 eBook Subscription Services
 - Juki Sewing Service Manual Meb 3810 Budget-Friendly Options
6. Navigating Juki Sewing Service Manual Meb 3810 eBook Formats
 - ePub, PDF, MOBI, and More
 - Juki Sewing Service Manual Meb 3810 Compatibility with Devices
 - Juki Sewing Service Manual Meb 3810 Enhanced eBook Features
 7. Enhancing Your Reading Experience
 - Adjustable Fonts and Text Sizes of Juki Sewing Service Manual Meb 3810
 - Highlighting and Note-Taking Juki Sewing Service Manual Meb 3810
 - Interactive Elements Juki Sewing Service Manual Meb 3810
 8. Staying Engaged with Juki Sewing Service Manual Meb 3810
 - Joining Online Reading Communities
 - Participating in Virtual Book Clubs
 - Following Authors and Publishers Juki Sewing Service Manual Meb 3810
 9. Balancing eBooks and Physical Books Juki Sewing Service Manual Meb 3810
 - Benefits of a Digital Library
 - Creating a Diverse Reading Collection Juki Sewing Service Manual Meb 3810
 10. Overcoming Reading Challenges
 - Dealing with Digital Eye Strain
 - Minimizing Distractions
 - Managing Screen Time
 11. Cultivating a Reading Routine Juki Sewing Service Manual Meb 3810
 - Setting Reading Goals Juki Sewing Service Manual Meb 3810
 - Carving Out Dedicated Reading Time
 12. Sourcing Reliable Information of Juki Sewing Service Manual Meb 3810
 - Fact-Checking eBook Content of Juki Sewing Service Manual Meb 3810
 - Distinguishing Credible Sources
 13. Promoting Lifelong Learning
 - Utilizing eBooks for Skill Development

- Exploring Educational eBooks
14. Embracing eBook Trends
- Integration of Multimedia Elements
 - Interactive and Gamified eBooks

Juki Sewing Service Manual Meb 3810 Introduction

Free PDF Books and Manuals for Download: Unlocking Knowledge at Your Fingertips In today's fast-paced digital age, obtaining valuable knowledge has become easier than ever. Thanks to the internet, a vast array of books and manuals are now available for free download in PDF format. Whether you are a student, professional, or simply an avid reader, this treasure trove of downloadable resources offers a wealth of information, conveniently accessible anytime, anywhere. The advent of online libraries and platforms dedicated to sharing knowledge has revolutionized the way we consume information. No longer confined to physical libraries or bookstores, readers can now access an extensive collection of digital books and manuals with just a few clicks. These resources, available in PDF, Microsoft Word, and PowerPoint formats, cater to a wide range of interests, including literature, technology, science, history, and much more. One notable platform where you can explore and download free Juki Sewing Service Manual Meb 3810 PDF books and manuals is the internet's largest free library. Hosted online, this catalog compiles a vast assortment of documents, making it a veritable goldmine of knowledge. With its easy-to-use website interface and customizable PDF generator, this platform offers a user-friendly experience, allowing individuals to effortlessly navigate and access the information they seek. The availability of free PDF books and manuals on this platform demonstrates its commitment to democratizing education and empowering individuals with the tools needed to succeed in their chosen fields. It allows anyone, regardless of their background or financial limitations, to expand their horizons and gain insights from experts in various disciplines. One of the most significant advantages of downloading PDF books and manuals lies in their portability. Unlike physical copies, digital books can be stored and carried on a single device, such as a tablet or smartphone, saving valuable space and weight. This convenience makes it possible for readers to have their entire library at their fingertips, whether they are commuting, traveling, or simply enjoying a lazy afternoon at home. Additionally, digital files are easily searchable, enabling readers to locate specific information within seconds. With a few keystrokes, users can search for keywords, topics, or phrases, making research and finding relevant information a breeze. This efficiency saves time and effort, streamlining the learning process and allowing individuals to focus on extracting the information they need. Furthermore, the availability of free PDF books and manuals fosters a culture of continuous learning. By removing financial barriers, more people can access educational resources and pursue lifelong learning, contributing to personal growth and professional development. This democratization of knowledge promotes

intellectual curiosity and empowers individuals to become lifelong learners, promoting progress and innovation in various fields. It is worth noting that while accessing free Juki Sewing Service Manual Meb 3810 PDF books and manuals is convenient and cost-effective, it is vital to respect copyright laws and intellectual property rights. Platforms offering free downloads often operate within legal boundaries, ensuring that the materials they provide are either in the public domain or authorized for distribution. By adhering to copyright laws, users can enjoy the benefits of free access to knowledge while supporting the authors and publishers who make these resources available. In conclusion, the availability of Juki Sewing Service Manual Meb 3810 free PDF books and manuals for download has revolutionized the way we access and consume knowledge. With just a few clicks, individuals can explore a vast collection of resources across different disciplines, all free of charge. This accessibility empowers individuals to become lifelong learners, contributing to personal growth, professional development, and the advancement of society as a whole. So why not unlock a world of knowledge today? Start exploring the vast sea of free PDF books and manuals waiting to be discovered right at your fingertips.

FAQs About Juki Sewing Service Manual Meb 3810 Books

How do I know which eBook platform is the best for me? Finding the best eBook platform depends on your reading preferences and device compatibility. Research different platforms, read user reviews, and explore their features before making a choice. Are free eBooks of good quality? Yes, many reputable platforms offer high-quality free eBooks, including classics and public domain works. However, make sure to verify the source to ensure the eBook credibility. Can I read eBooks without an eReader? Absolutely! Most eBook platforms offer webbased readers or mobile apps that allow you to read eBooks on your computer, tablet, or smartphone. How do I avoid digital eye strain while reading eBooks? To prevent digital eye strain, take regular breaks, adjust the font size and background color, and ensure proper lighting while reading eBooks. What the advantage of interactive eBooks? Interactive eBooks incorporate multimedia elements, quizzes, and activities, enhancing the reader engagement and providing a more immersive learning experience. Juki Sewing Service Manual Meb 3810 is one of the best book in our library for free trial. We provide copy of Juki Sewing Service Manual Meb 3810 in digital format, so the resources that you find are reliable. There are also many Ebooks of related with Juki Sewing Service Manual Meb 3810. Where to download Juki Sewing Service Manual Meb 3810 online for free? Are you looking for Juki Sewing Service Manual Meb 3810 PDF? This is definitely going to save you time and cash in something you should think about. If you trying to find then search around for online. Without a doubt there are numerous these available and many of them have the freedom. However without doubt you receive whatever you purchase. An alternate way to get ideas is always to check another Juki Sewing Service Manual Meb 3810. This method for see exactly what may be included and adopt these ideas to

your book. This site will almost certainly help you save time and effort, money and stress. If you are looking for free books then you really should consider finding to assist you try this. Several of Juki Sewing Service Manual Meb 3810 are for sale to free while some are payable. If you arent sure if the books you would like to download works with for usage along with your computer, it is possible to download free trials. The free guides make it easy for someone to free access online library for download books to your device. You can get free download on free trial for lots of books categories. Our library is the biggest of these that have literally hundreds of thousands of different products categories represented. You will also see that there are specific sites catered to different product types or categories, brands or niches related with Juki Sewing Service Manual Meb 3810. So depending on what exactly you are searching, you will be able to choose e books to suit your own need. Need to access completely for Campbell Biology Seventh Edition book? Access Ebook without any digging. And by having access to our ebook online or by storing it on your computer, you have convenient answers with Juki Sewing Service Manual Meb 3810 To get started finding Juki Sewing Service Manual Meb 3810, you are right to find our website which has a comprehensive collection of books online. Our library is the biggest of these that have literally hundreds of thousands of different products represented. You will also see that there are specific sites catered to different categories or niches related with Juki Sewing Service Manual Meb 3810 So depending on what exactly you are searching, you will be able to choose ebook to suit your own need. Thank you for reading Juki Sewing Service Manual Meb 3810. Maybe you have knowledge that, people have search numerous times for their favorite readings like this Juki Sewing Service Manual Meb 3810, but end up in harmful downloads. Rather than reading a good book with a cup of coffee in the afternoon, instead they juggled with some harmful bugs inside their laptop. Juki Sewing Service Manual Meb 3810 is available in our book collection an online access to it is set as public so you can download it instantly. Our digital library spans in multiple locations, allowing you to get the most less latency time to download any of our books like this one. Merely said, Juki Sewing Service Manual Meb 3810 is universally compatible with any devices to read.

Find Juki Sewing Service Manual Meb 3810 :

ford mondeo mkiv manual

[ford ka mk1 buyers guide](#)

~~ford focus st owners club sa~~

ford focus maintenance guide

ford owners manual

~~ford powerstroke owners manual~~

[ford focus ii wiring diagrams](#)

[ford ranger pj 3 0 workshop manual 2015](#)

ford ft engine identification guide

ford s max manual

ford keyless entry code

ford mondeo service and repair manual 2000 2005

[ford laser kn service manual](#)

[ford fusion trunk s guide](#)

[ford puma manual](#)

Juki Sewing Service Manual Meb 3810 :

[nokia 110 rm 827 flash file v3 47 mcu ppm cnt download](#) - Jun 24 2022

web whatsapp nokia rm 827 1 whatsapp nokia rm 827 the new ict ecosystem disney pixar turning red the real r p g the story of the red panda girl mobile

nokia telefonlara whatsapp yüklenir mi hangi nokia modellerine - Aug 07 2023

web jun 26 2016 ayrıca artık whatsapp symbian s40 işletim sistemlerini artık desteklememektedir bu modele sahip olan telefon sahipleri mecburen telefonlarını

[download and install whatsapp for windows phone visihow](#) - Nov 29 2022

web may 3 2023 device forum com submitted a new resource nokia rm 827 nokia rm 827 nokia rm 827 read more about this resource forums new posts featured threads

[whatsapp nokia rm 827 api digital capito eu](#) - Apr 22 2022

web whatsapp nokia rm 827 downloaded from mail lafamigliawv com by guest cameron wilcox autonomous control for a reliable internet of services springer this book

whatsapp for nokia lumia download and install - Oct 09 2023

web nokia telefonlara whatsapp yüklenir mi pek bilinmesede nokia telefonların bazı modellerine whatsapp yüklenebiliyor bu sene yaz ayında bazı nokia modelleri artık

[all nokia latest flash files setup](#) - Aug 27 2022

web may 29 2018 download and extract nokia phone firmware flash file extract nokia best tool and launch it by double clicking on nokia best exe file after opening nokia best

nokia 110 models and versions phonemore - Oct 29 2022

web apr 13 2013 nokia 110 rm 827 v3 04 urdu arabic farsi languag se exe setup size 25 6 mb only s shikderg product

manager joined oct 24 2011 posts 4 168 likes

nokia telefonlara whatsapp nasıl yüklenir barisdogan com tr - Sep 08 2023

web the whatsapp messaging application is not included in nokia mobile phones or tablets so it is necessary to download it from an application store search your device among the

nokia rm 827 device forum firmwares schematics - Sep 27 2022

web apr 28 2013 status offline sonork 100 1579554 thanks meter 5 700 strange problem with nokia 110 rm 827 i have nokia 110 rm 827 i have flash the phone with ver 3 04

redmi note 8 whatsapp ses gönderilmiyor technopat sosyal - Feb 01 2023

web how can i install whatsapp into my nokia lumia 521 i don t know whereabout the location of this whatsapp for nokia lumia 521 i want to download and install this to

[nokia rm 827 display light solution youtube](#) - Jan 20 2022

web whatsapp nokia rm 827 3 3 basis for individuals and firms to compete based on knowledge asymmetries this book states that this is crucial in the increasingly

strange problem with nokia 110 rm 827 gsm forum - Jul 26 2022

web whatsapp nokia rm 827 whatsapp nokia rm 827 firmware nokia dct4 dan wd2 bi only s4tri0 blogspot com nokia 110 rm 827 latest firmware flash file download free

nokia hangi modellerine whatsapp yüklenebilir teknoscrool - Jun 05 2023

web mar 10 2021 nokia 110 türkçe rm 827 lazım looupss 29 ara 2016 cevaplar 1 görüntüleme 1k 29 ara 2016 turkcellgsm t lumia 720 rm885 firmware

nokia yazılımlar gsmkolik forumu - Apr 03 2023

web nov 4 2021 arkadaşlar elimde bir redmi note 8 var whatsapp sorunlu ses gönderilmiyor geldiğinde de x hatasını veriyor durum açılıyor indirmemizi istiyor

nokia 110 specs phonemore - Dec 31 2022

web nokia 110 rm 827 dual sim nokia 110 dual chip specifications nokia 110 share page facebook twitter whatsapp share page top site map

whatsapp for nokia cnet download - May 04 2023

web download whatsapp on your mobile device tablet or desktop and stay connected with reliable private messaging and calling available on android ios mac and windows

download whatsapp for ios mac and pc - Mar 02 2023

web jul 17 2013 nokia 110 other model names nokia 110 rm 827 dual sim nokia 110 dual chip country or region available

feature not registered brand nokia release date

whatsapp nokia rm 827 help discoveram - May 24 2022

web may 3 2023 facebook twitter reddit pinterest tumblr whatsapp email share link forums files nokia menu log in register villain english us contact us help rss

whatsapp nokia rm 827 files climagic org - Nov 17 2021

whatsapp nokia rm 827 mail lafamigliawv com - Feb 18 2022

web oct 23 2019 xiaomi redmi note 8 whatsapp nasıl silinir tuş kilidini açınız play store a tıklayınız ekranı en sol kısımdan sağa doğru çekiniz sol kısımdaki menü aktif

schematics service manual nokia rm 827 device forum - Mar 22 2022

web nokia rm 827 lcd light solution

xiaomi redmi note 8 whatsapp sorunu Çözümü ayarları - Dec 19 2021

how to download and install whatsapp on nokia devices - Jul 06 2023

web free to try paid whatsapp for nokia free download nokia suite whatsapp messenger whatsapp web and many more programs

ricette carne bianca le ricette di giallozafferano - Mar 07 2023

web 2230 ricette carne bianca portate filtra primi piatti cannelloni ripieni di carne alla umbra i cannelloni ripieni di carne sono un piatto ricco e molto nutriente tipico della toscana e l umbria con un condimento morbido e gustoso da provare 37 4 7 facile 3 h 40 min kcal 522 leggi secondi piatti chili con carne

1000 ricette di carne bianca laura rangoni libreria ibs - Jan 05 2023

web 1000 ricette di carne bianca è un libro di laura rangoni pubblicato da newton compton editori nella collana la nuova cucina del buongustaio acquista su ibs a 10 00 aggiungi l articolo in lista

carne bianca ricette e tipicità da provare la cucina italiana - Jul 11 2023

web carne bianca scopri tutte le ricette le tipicità e i consigli de la cucina italiana non perderti le ultime novità per essere un vero chef

1000 ricette di carne bianca laura rangoni libreria ibs - Sep 13 2023

web 1000 ricette di carne bianca è un libro di laura rangoni pubblicato da newton compton editori nella collana manuali di cucina acquista su ibs a 4 90

103 ricette di carne bianca secondi e antipasti star - Aug 12 2023

web ricette di carne bianca secondi e antipasti 103 ricette le carni bianche sono carni leggere digeribili adatte all'alimentazione di tutti e perfette per comporre secondi veloci e facili da realizzare ma anche piatti più complessi

ricette di carne veloci e facili da preparare galbani - May 29 2022

web scopri tutte le ricette che galbani ha selezionato per te e delizia il palato dei tuoi ospiti con piatti gustosi troverai la nostra raccolta di piatti con carni rosse e carni bianche con varianti semplici ma interessanti come il petto d'anatra il pollo al curry spezzatini involtini e tante altre opzioni

1000 ricette di carne bianca hardcover 10 january 2013 - Dec 04 2022

web select the department you want to search in

1000 ricette di carne bianca hardcover amazon com - Jun 29 2022

web 1000 ricette di carne bianca on amazon com free shipping on qualifying offers 1000 ricette di carne bianca

1000 ricette di carne bianca di laura rangoni ebook everand - Jun 10 2023

web leggi 1000 ricette di carne bianca di laura rangoni con una prova gratuita leggi milioni di ebook e audiolibri online e su ipad iphone e android

1000 ricette di carne bianca newton compton editori - Nov 03 2022

web come cucinare piatti ricchi e gustosi per una tavola sempre varia e originale pollo tacchino e coniglio ali di pollo croccanti faraona a 1000 ricette di carne bianca newton compton editori

amazon com customer reviews 1000 ricette di carne bianca - Apr 27 2022

web find helpful customer reviews and review ratings for 1000 ricette di carne bianca at amazon com read honest and unbiased product reviews from our users

1000 ricette di carne bianca hardcover 12 october 2017 - Sep 01 2022

web 1000 ricette di carne bianca rangoni laura amazon com au books skip to main content com au delivering to sydney 1171 to change sign in or enter a postcode books select the department you want to search in search amazon com au en hello sign in account lists

1000 ricette di carne bianca hardcover jan 1 2013 amazon ca - Mar 27 2022

web 1000 ricette di carne bianca laura rangoni 9788854144651 books amazon ca skip to main content ca hello select your address books select the department you want to search in search amazon ca en hello sign in account lists returns

carni bianche ricette una raccolta di ricette leggere e alla portata - Oct 14 2023

web qui troverete tutte le ricette a base di carni bianche pollo e pollame tacchino coniglio maiale e agnello tante ricette facili veloci e gustose

1000 ricette di carne bianca overdrive - May 09 2023

web feb 19 2013 pollo tacchino e coniglio la carne bianca è la più consumata nel mondo economica leggera digeribile ha soppiantato negli ultimi anni l'uso di quella rossa sicuramente più ricca di grassi

1000 ricette di carne bianca amazon com au - Feb 06 2023

web select the department you want to search in

1000 ricette di carne bianca enewton manuali e guide - Oct 02 2022

web pollo tacchino e coniglio la carne bianca è la più consumata nel mondo economica leggera digeribile ha soppiantato negli ultimi anni l'uso di quella rossa sicuramente più ricca di grassi la tradizione popolare italiana ha saputo valorizzare nel modo migliore i pregi del pollo del tacchino e del coniglio abbinando le varie parti dell'animale a spezie

ricette con carni bianche misya info le ricette di misya - Apr 08 2023

web qualcosa di rinvigorente ma allo stesso tempo buono da mangiare le carni bianche offrono sicuramente una scelta sicura una base sicura dalla quale creare dei piatti deliziosi in questa sezione troverai tantissime ricette con carni bianche secondi piatti ma anche numerosi primi piatti da preparare senza problemi

1000 ricette di carne bianca enewton manuali e guide italian - Jul 31 2022

web feb 19 2013 1000 ricette di carne bianca enewton manuali e guide italian edition kindle edition by rangoni laura download it once and read it on your kindle device pc phones or tablets use features like bookmarks note taking and highlighting while reading 1000 ricette di carne bianca enewton manuali e guide italian edition

1000 ricette di carne bianca hardcover october 12 2017 - Feb 23 2022

web oct 12 2017 1000 ricette di carne bianca rangoni laura on amazon com free shipping on qualifying offers 1000 ricette di carne bianca

otchum chef de meute l'extraordinaire aventure d'un - Jan 11 2023

web buy otchum chef de meute nvelle éd l'extraordinaire aventure d'un chien de traîneau by vanier nicolas isbn 9782732469430 from amazon s book store everyday low

otchum chef de meute l'extraordinaire aventure de nicolas - Feb 12 2023

web isbn 13 978 2732422817 dimensions 16 8 x 1 4 x 23 3 cm

otchum chef de meute nvelle éd l'extraordinaire aventure d - Jun 16 2023

web en pleine force de l'âge à six ans otchum prêt à affronter la course de traîneau à chiens la plus difficile du monde meurt tragiquement le livre raconte cette merveilleuse

otchum chef de meute nvelle éd l'extraordinaire aventure - Sep 07 2022

web auteur vanier nicolas isbn 9782744112218 Édition france loisirs livraison gratuite expédiée en 24h satisfait ou remboursé

otchum chef de meute l extraordinaire aventure d un chien de - Jul 17 2023

web nov 20 2014 une belle amitié otchum chien de traîneau de nicolas vanier l a suivi dans ses aventures à travers la sibérie pour un parcours de 7000 kms puis dans l ouest

mahkum ağıt bulut kimdir onur tuna dizioyuncu com - Jan 31 2022

web si vous avez besoin d aide pour trouver la solution à la question de mots croisés chef ottoman nous pouvons vous donner la réponse afin de trouver la réponse correcte

otchum chef de meute l extraordinaire aventure d un chien de - Aug 06 2022

web otchum chef de meute nvelle éd l extraordinaire aventure d un chien de traîneau vanier nicolas amazon es libros

otchum chef de meute l extraordinaire aventure d un - Jun 04 2022

web nov 5 2014 otchum chef de meute nvelle éd l extraordinaire aventure d un chien de traîneau broché achat en ligne au meilleur prix sur e leclerc retrait gratuit dans

otchum chef de meute l extraordinaire aventure d un chien de - Apr 14 2023

web buy otchum chef de meute l extraordinaire aventure d un chien de traîneau by online on amazon ae at best prices fast and free shipping free returns cash on delivery

otchum chef de meute nvelle éd l extraordinaire aventure - Dec 10 2022

web otchum chef de meute l extraordinaire aventure d un chien de traîneau vanier nicolas isbn 9782732422817 kostenloser versand für alle bücher mit versand und

otchum chef de meute nvelle éd l extraordinaire aventure - May 03 2022

web otchum chef de meute l extraordinaire aventure d encyclopédie méthodique oct 16 2021 les Étoiles de l aube apr 02 2023 en 1944 vous étiez des enfants ou des

otchum chef de meute l extraordinaire aventure d un chien de - Aug 18 2023

web otchum chef de meute l extraordinaire aventure d un chien de traîneau tourisme et voyages vanier nicolas amazon com tr kitap

otchum chef de meute l extraordinaire aventure d 2023 - Apr 02 2022

web d otchum chef de meute l 39 extraordinaire aventure d 39 un chien feb 19 2022 buy otchum chef de meute l 39 extraordinaire aventure d 39 un chien de traîneau nvelle

otchum chef de meute l extraordinaire aventure - May 15 2023

web nov 20 2014 otchum chef de meute l extraordinaire aventure d un chien de traîneau nvelle éd vanier nicolas on amazon com free shipping on qualifying offers

otchum chef de meute nvelle éd l extraordinaire aventure - Oct 08 2022

web otchum chef de meute nvelle éd l extraordinaire aventure d un chien de traîneau vanier nicolas amazon de bücher
otchum chef de meute nvelle éd l extraordinaire aventure - Jul 05 2022

web otchum chef de meute l extraordinaire aventure d un chien de traîneau vanier nicolas amazon es libros saltar al contenido principal es hola elige tu dirección

otchum chef de meute l extraordinaire aventure de - Oct 28 2021

otchumchefdemeutelextraordinaireaventure d - Mar 01 2022

web 2021 2022 sezonun yeni dizilerinden bir tanesi olan mahkum dizisi fox tv de ilerleyen haftalarda yayın hayatına başlayacaktır geçtiğimiz günlerde çekimlerine başlanmış olan

chef ottoman 2 6 lettres mots croisés et mots fléchés - Dec 30 2021

web amazon com otchum chef de meute l extraordinaire aventure d un chien de traîneau 9782744112218 books

otchum chef de meute nvelle éd l extraordinaire aventure - Sep 19 2023

web ses périples font l objet d une quarantaine d ouvrages et de nombreux films faisant rêver les voyageurs l amoureux du grand nord s il est fasciné par le nord c est sous le soleil de

otchum chef de meute l extraordinaire aventure d un chien de - Nov 28 2021

web sep 17 1999 en pleine force de l âge à six ans otchum prêt à affronter la course de chiens de traîneau la plus difficile du monde meurt tragiquement le livre raconte cette

otchum chef de meute l extraordinaire aventure d un chien de - Mar 13 2023

web nov 6 2014 en pleine force de l âge à six ans otchum prêt à affronter la course de traîneau à chiens la plus difficile du monde meurt tragiquement le livre raconte cette

otchum chef de meute l extraordinaire aventure d un - Nov 09 2022

web otchum chef de meute nvelle éd l extraordinaire aventure d un chien de traîneau de vanier nicolas sur abebooks fr isbn 10 2732469432 isbn 13 9782732469430