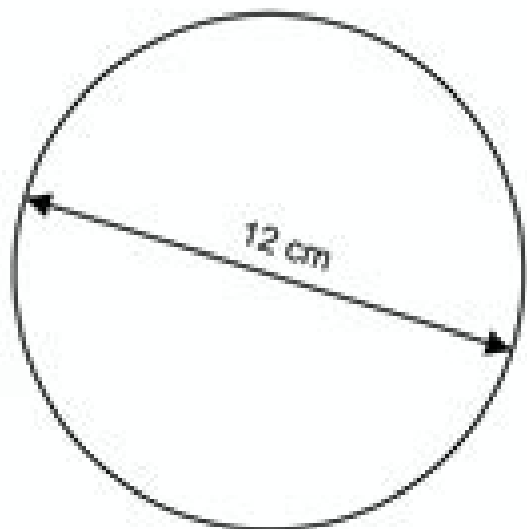


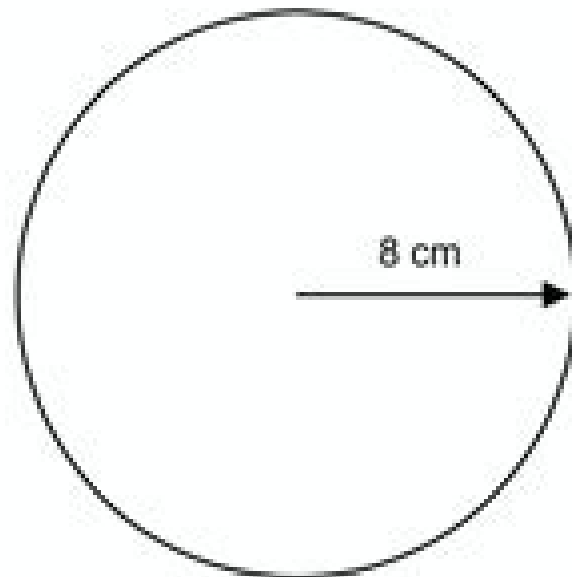
Find the circumference of each circle below.



$$C = \pi d$$

$$C = 3.14 \times 12$$

$$C = 37.68 \text{ cm}$$



$$C = \pi d$$

$$d = 2 \times 8 = 16$$

$$C = 3.14 \times 16$$

$$C = 50.24 \text{ cm}$$

How To Find Circumference

M Tight



How To Find Circumference:

This is likewise one of the factors by obtaining the soft documents of this **How To Find Circumference** by online. You might not require more become old to spend to go to the books foundation as without difficulty as search for them. In some cases, you likewise realize not discover the message How To Find Circumference that you are looking for. It will no question squander the time.

However below, considering you visit this web page, it will be in view of that certainly easy to acquire as with ease as download lead How To Find Circumference

It will not say you will many period as we run by before. You can realize it even though statute something else at house and even in your workplace. in view of that easy! So, are you question? Just exercise just what we come up with the money for below as well as review **How To Find Circumference** what you similar to to read!

https://staging.conocer.cide.edu/book/detail/Download_PDFS/mathematics_literacy_grade25september_2014.pdf

Table of Contents How To Find Circumference

1. Understanding the eBook How To Find Circumference
 - The Rise of Digital Reading How To Find Circumference
 - Advantages of eBooks Over Traditional Books
2. Identifying How To Find Circumference
 - Exploring Different Genres
 - Considering Fiction vs. Non-Fiction
 - Determining Your Reading Goals
3. Choosing the Right eBook Platform
 - Popular eBook Platforms
 - Features to Look for in an How To Find Circumference
 - User-Friendly Interface
4. Exploring eBook Recommendations from How To Find Circumference

- Personalized Recommendations
 - How To Find Circumference User Reviews and Ratings
 - How To Find Circumference and Bestseller Lists
5. Accessing How To Find Circumference Free and Paid eBooks
 - How To Find Circumference Public Domain eBooks
 - How To Find Circumference eBook Subscription Services
 - How To Find Circumference Budget-Friendly Options
 6. Navigating How To Find Circumference eBook Formats
 - ePub, PDF, MOBI, and More
 - How To Find Circumference Compatibility with Devices
 - How To Find Circumference Enhanced eBook Features
 7. Enhancing Your Reading Experience
 - Adjustable Fonts and Text Sizes of How To Find Circumference
 - Highlighting and Note-Taking How To Find Circumference
 - Interactive Elements How To Find Circumference
 8. Staying Engaged with How To Find Circumference
 - Joining Online Reading Communities
 - Participating in Virtual Book Clubs
 - Following Authors and Publishers How To Find Circumference
 9. Balancing eBooks and Physical Books How To Find Circumference
 - Benefits of a Digital Library
 - Creating a Diverse Reading Collection How To Find Circumference
 10. Overcoming Reading Challenges
 - Dealing with Digital Eye Strain
 - Minimizing Distractions
 - Managing Screen Time
 11. Cultivating a Reading Routine How To Find Circumference
 - Setting Reading Goals How To Find Circumference
 - Carving Out Dedicated Reading Time
 12. Sourcing Reliable Information of How To Find Circumference

- Fact-Checking eBook Content of How To Find Circumference
 - Distinguishing Credible Sources
13. Promoting Lifelong Learning
- Utilizing eBooks for Skill Development
 - Exploring Educational eBooks
14. Embracing eBook Trends
- Integration of Multimedia Elements
 - Interactive and Gamified eBooks

How To Find Circumference Introduction

In the digital age, access to information has become easier than ever before. The ability to download How To Find Circumference has revolutionized the way we consume written content. Whether you are a student looking for course material, an avid reader searching for your next favorite book, or a professional seeking research papers, the option to download How To Find Circumference has opened up a world of possibilities. Downloading How To Find Circumference provides numerous advantages over physical copies of books and documents. Firstly, it is incredibly convenient. Gone are the days of carrying around heavy textbooks or bulky folders filled with papers. With the click of a button, you can gain immediate access to valuable resources on any device. This convenience allows for efficient studying, researching, and reading on the go. Moreover, the cost-effective nature of downloading How To Find Circumference has democratized knowledge. Traditional books and academic journals can be expensive, making it difficult for individuals with limited financial resources to access information. By offering free PDF downloads, publishers and authors are enabling a wider audience to benefit from their work. This inclusivity promotes equal opportunities for learning and personal growth. There are numerous websites and platforms where individuals can download How To Find Circumference. These websites range from academic databases offering research papers and journals to online libraries with an expansive collection of books from various genres. Many authors and publishers also upload their work to specific websites, granting readers access to their content without any charge. These platforms not only provide access to existing literature but also serve as an excellent platform for undiscovered authors to share their work with the world. However, it is essential to be cautious while downloading How To Find Circumference. Some websites may offer pirated or illegally obtained copies of copyrighted material. Engaging in such activities not only violates copyright laws but also undermines the efforts of authors, publishers, and researchers. To ensure ethical downloading, it is advisable to utilize reputable websites that prioritize the legal distribution of content. When downloading How To Find Circumference, users should also consider the potential security risks associated with online

platforms. Malicious actors may exploit vulnerabilities in unprotected websites to distribute malware or steal personal information. To protect themselves, individuals should ensure their devices have reliable antivirus software installed and validate the legitimacy of the websites they are downloading from. In conclusion, the ability to download How To Find Circumference has transformed the way we access information. With the convenience, cost-effectiveness, and accessibility it offers, free PDF downloads have become a popular choice for students, researchers, and book lovers worldwide. However, it is crucial to engage in ethical downloading practices and prioritize personal security when utilizing online platforms. By doing so, individuals can make the most of the vast array of free PDF resources available and embark on a journey of continuous learning and intellectual growth.

FAQs About How To Find Circumference Books

How do I know which eBook platform is the best for me? Finding the best eBook platform depends on your reading preferences and device compatibility. Research different platforms, read user reviews, and explore their features before making a choice. Are free eBooks of good quality? Yes, many reputable platforms offer high-quality free eBooks, including classics and public domain works. However, make sure to verify the source to ensure the eBook credibility. Can I read eBooks without an eReader? Absolutely! Most eBook platforms offer web-based readers or mobile apps that allow you to read eBooks on your computer, tablet, or smartphone. How do I avoid digital eye strain while reading eBooks? To prevent digital eye strain, take regular breaks, adjust the font size and background color, and ensure proper lighting while reading eBooks. What the advantage of interactive eBooks? Interactive eBooks incorporate multimedia elements, quizzes, and activities, enhancing the reader engagement and providing a more immersive learning experience. How To Find Circumference is one of the best book in our library for free trial. We provide copy of How To Find Circumference in digital format, so the resources that you find are reliable. There are also many Ebooks of related with How To Find Circumference. Where to download How To Find Circumference online for free? Are you looking for How To Find Circumference PDF? This is definitely going to save you time and cash in something you should think about.

Find How To Find Circumference :

[mathematics literacy grade25september 2014](#)

[mathematics csec paper 2013](#)

[mathematics n2 18 november 2013 memorandum](#)

mathematical statistics data analysis john rice solution manual

mathematics a paper 2fr foundation may 2014 mark scheme

mathematics n6 april 2011 question paper memoranda

mathematics n 5 memorandum november 2014

mathematics literacy grade 1doe 2014 midyear exam paper

mathematical models with applications hs mathematics 05 lesson 02

mathematics paper june 2memorandum

mathematical literacy scope for june grade 12 common paper

mathematics final exam 2014 memorandam

mathematics p2 september preparatory exam memo of kzn

mathematics p2 grade 11 caps db e november 2014

mathematics grade 12 2014 paper 1

How To Find Circumference :

Shelter Poverty: New Ideas on Housing Affordability - jstor Why does it exist and persist? and How can it be overcome? Describing shelter poverty as the denial of a universal human need, Stone offers a quantitative scale ... Shelter Poverty - Philadelphia - Temple University Press In Shelter Poverty, Michael E. Stone presents the definitive discussion of housing and social justice in the United States. Challenging the conventional ... Shelter Poverty: The Chronic Crisis of Housing Affordability by ME Stone · 2004 · Cited by 45 — This paper examines housing affordability in the United States over the past three decades using the author's concept of "shelter poverty. Shelter Poverty: New Ideas on Housing Affordability - ProQuest by RG Bratt · 1995 · Cited by 5 — Shelter Poverty is a carefully crafted and well-argued book that is certain to become a classic in the housing literature. Its cogent analyses and compelling ... Shelter Poverty: New Ideas on Housing Affordability - Softcover In "Shelter Poverty", Michael E. Stone presents the definitive discussion of housing and social justice in the United States. Challenging the conventional ... Shelter Poverty: New Ideas on Housing Affordability In Shelter Poverty, Michael E. Stone presents the definitive discussion of housing and social justice in the United States. Challenging the conventional ... Stone, M. E. (1993). Shelter Poverty New Ideas on Housing ... The paper is an evaluation of adequate rental housing affordability by workers in relation to their income levels and other household needs, using the staff of ... Shelter Poverty: New Ideas on Housing Affordability... Shelter Poverty: New Ideas on Housing Affordability... by Michael E. Stone. \$37.29 Save \$43.21! List Price: \$80.50. Select Format. Format: Hardcover (\$37.29). Amazon.com: Customer reviews: Shelter Poverty Find helpful customer reviews and review ratings for Shelter Poverty: New Ideas on Housing Affordability at

Amazon.com. Read honest and unbiased product ... Shelter Poverty; New Ideas on Housing Affordability - Biblio.com Philadelphia: Temple University Press [1-56639-050-8] 1993. (Trade paperback) 423pp. Very good. Tables, graphs, diagrams, notes, references, index. Managerial Accounting for Managers Authors Eric Noreen, Peter Brewer, and Ray Garrison have crafted a streamlined Managerial Accounting book that is perfect for non-accounting majors who ... Managerial Accounting for Managers: Noreen, Eric, Brewer ... Authors Eric Noreen, Peter Brewer, and Ray Garrison have crafted a streamlined Managerial Accounting book that is perfect for non-accounting majors who ... ISE Managerial Accounting for Managers by Noreen, Eric The manager approach in Noreen allows students to develop the conceptual framework needed to succeed, with a focus on decision making and analytical skills. Managerial Accounting for Managers - Noreen, Eric Authors Eric Noreen, Peter Brewer, and Ray Garrison have crafted a streamlined Managerial Accounting book that is perfect for non-accounting majors who ... Managerial Accounting for Managers - Eric Noreen, Peter ... Managerial Accounting for Managers, 2nd Edition by Noreen/Brewer/Garrison is based on the market-leading text, Managerial Accounting, by Garrison, Noreen ... Managerial Accounting for Managers | Rent Authors Eric Noreen, Peter Brewer, and Ray Garrison have crafted a streamlined Managerial Accounting book that is perfect for non-accounting majors who intend ... ISBN 9781264100590 - Managerial Accounting for ... Managerial Accounting for Managers. Author(s) Peter BrewerRay GarrisonEric Noreen. ISBN 9781264100590. facebook twitter pinterest linkedin email. Managerial ... Managerial Accounting for Managers by: Eric Noreen Authors Eric Noreen Peter Brewer and Ray Garrison have crafted a streamlined Managerial Accounting book that is perfect for non-accounting majors who intend ... Managerial Accounting for Managers. Noreen. 6th Edition ... Authors Eric Noreen, Peter Brewer, and Ray Garrison have crafted a streamlined Managerial Accounting book that is perfect for non-accounting majors who ... Managerial Accounting for Managers by Eric W. Noreen Sep 17, 2007 — Managerial Accounting for Managers , 2nd Edition by Noreen/Brewer/Garrison is based on the market-leading text, Managerial Accounting, ... Horizons Chapter 5 - WordPress “ www.wordpress.com Jul 13, 2015 — ... moved farther north and west into thehinterland. In order to live, they ... West tothe rest of Canada. You willread more about this issuein ... Changes Come to the Prairies - Charles Best Library In this chapter, you will study the development of the Prairies and the impact of these changes on the Aboriginal peoples of the Northwest. Horizons Canada Moves West chapter 2 Flashcards | Quizlet Study with Quizlet and memorize flashcards containing terms like Nationalism, Anglican, Assimilation and more. American Horizons Chapter 5 Flashcards | Quizlet Study with Quizlet and memorize flashcards containing terms like By the 1750s, colonial newspapers, Between 1730 and 1775 there were so many immigrants from ... Social Studies - Horizons Canada Moves West | PDF - Scribd Apr 16, 2013 — Chapter 5 Microeconomics by David Besanko Ronald Braeutigam Test Bank. Grade 9 Socials 2016 - mr. burgess' rbss social studies Horizons Text book: Chapter 1 - The Geography of Canada. (Nov. 24 - Dec. 9) ... 2 - Chapter 5 chapter review. test_study_guide.pdf. File Size: 84 kb. File Type ... Horizons: Canada Moves West - Goodreads Jun 18, 2015

— Read reviews from the world's largest community for readers. undefined. Art in Focus.pdf ... Chapter 5 Review. 123. Page 151. 124. Page 152. 2. ART OF EARLY. CIVILIZATIONS repare yourself, for you are about to embark on a magical journey through art. 1 Chapter 5: Changing Ocean, Marine Ecosystems ... - IPCC Coordinating Lead Authors: Nathaniel L. Bindoff (Australia), William W. L. Cheung (Canada), James G. 4. Kairo (Kenya). Social Studies 10 Course Outline - Oak Bay High School The goal of this unit is to study Canada's western expansion across the Prairies and its impact on ... This unit uses the textbook Horizons: Canada Moves West, ...