



# Electric Circuit Diagrams

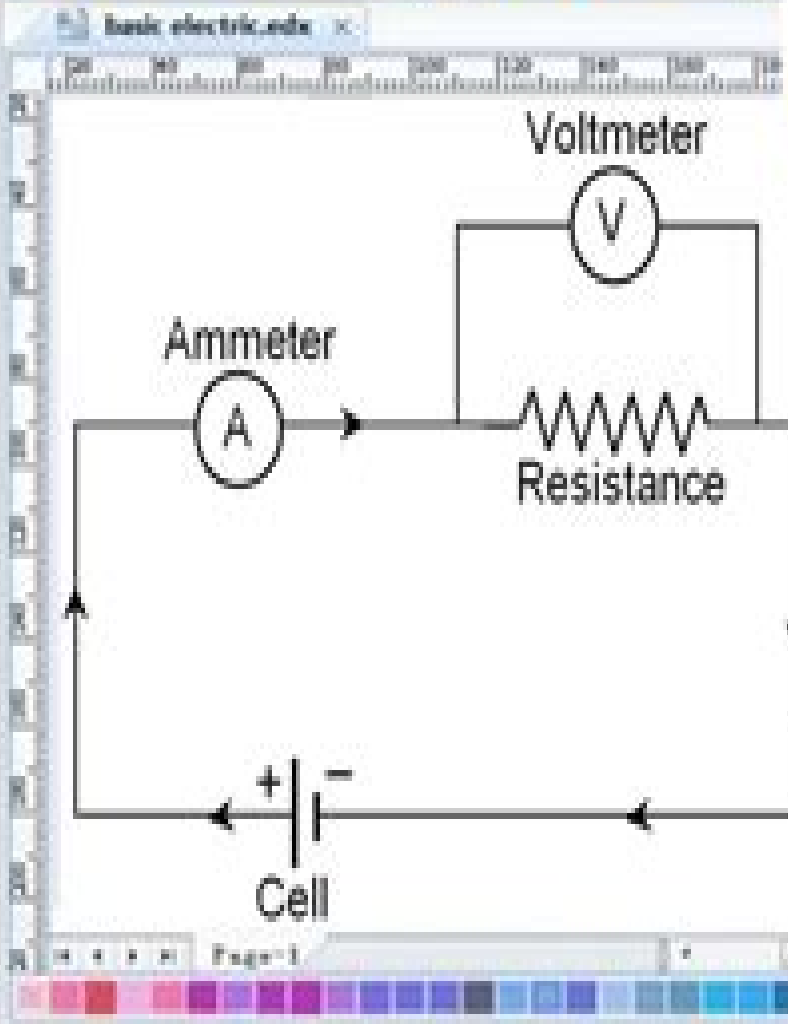
Edraw Max



Libraries

- Basic Items
- Wiring Symbols
- Substations and Electron Tubes
- Transformers and Relays
- Transmission Path

Examples Manager



# How To Draw Circuit Diagram In Computer

**IM Harris**



## **How To Draw Circuit Diagram In Computer:**

**Computer Architecture** EduGorilla Prep Experts,2023-08-25 EduGorilla Publication is a trusted name in the education sector committed to empowering learners with high quality study materials and resources Specializing in competitive exams and academic support EduGorilla provides comprehensive and well structured content tailored to meet the needs of students across various streams and levels

**Computing Handbook** Heikki Topi,Allen Tucker,2014-05-14 The second volume of this popular handbook demonstrates the richness and breadth of the IS and IT disciplines The book explores their close links to the practice of using managing and developing IT based solutions to advance the goals of modern organizational environments Established leading experts and influential young researchers present introductions to the current status and future directions of research and give in depth perspectives on the contributions of academic research to the practice of IS and IT development use and management

**Microcontrollers** Julio Sanchez,Maria P. Canton,2018-10-08 Focusing on the line of high performance microcontrollers offered by Microchip Microcontrollers High Performance Systems and Programming discusses the practical factors that make the high performance PIC series a better choice than their mid range predecessors for most systems However one consideration in favor of the mid range devices is the abundance of published application circuits and code samples This book fills that gap Possibility of programming high performance microcontrollers in a high level language C language Source code compatibility with PIC16 microcontrollers which facilitates code migration from mid range to PIC18 devices Pin compatibility of some PIC18 devices with their PIC16 predecessors making the reuse of PIC16 controllers in circuits originally designed for mid range hardware possible Designed to be functional and hands on this book provides sample circuits with their corresponding programs It clearly depicts and labels the circuits in a way that is easy to follow and reuse Each circuit includes a parts list of the resources and components required for its fabrication The book matches sample programs to the individual circuits discusses general programming techniques and includes appendices with useful information

**Microprocessor Technology** J S Anderson,2012-08-21 Microprocessor Technology provides a complete introduction to the subject of microprocessor technology using the Z80 and 6502 processors An emphasis on fault finding and repair makes this an ideal text for servicing courses including City Guilds 2240 in the UK microelectronics units on BTEC National Advanced GNVQ and City Guilds 7261 Microprocessor Technology It will also provide a refresher course for those on bridging and micro appreciation courses where a measure of comparative studies is required Clear and concise explanations are supported by worked examples tutorials long answer questions and assignments giving students the opportunity to test their knowledge as they progress through the course as well as providing an essential revision tool in the run up to exams

**Microcontroller Programming** Julio Sanchez,Maria P. Canton,2018-10-03 From cell phones and television remote controls to automobile engines and spacecraft microcontrollers are everywhere Programming these prolific devices is a much more involved and integrated task than it is for general purpose microprocessors microcontroller

programmers must be fluent in application development systems programming and I O operation as well as memory management and system timing Using the popular and pervasive mid range 8 bit Microchip PIC as an archetype Microcontroller Programming offers a self contained presentation of the multidisciplinary tools needed to design and implement modern embedded systems and microcontrollers The authors begin with basic electronics number systems and data concepts followed by digital logic arithmetic conversions circuits and circuit components to build a firm background in the computer science and electronics fundamentals involved in programming microcontrollers For the remainder of the book they focus on PIC architecture and programming tools and work systematically through programming various functions modules and devices Helpful appendices supply the full mid range PIC instruction set as well as additional programming solutions a guide to resistor color codes and a concise method for building custom circuit boards Providing just the right mix of theory and practical guidance Microcontroller Programming The Microchip PIC is the ideal tool for any amateur or professional designing and implementing stand alone systems for a wide variety of applications

**We Built Our Own Computers** A. B. Bolt,1966      **Analog Computer Techniques** Clarence L. Johnson,1956      Cumulative Index to NASA Tech Briefs United States. National Aeronautics and Space Administration,1970      **Bird's Engineering Mathematics** John Bird,2021-03-15 Now in its ninth edition Bird s Engineering Mathematics has helped thousands of students to succeed in their exams Mathematical theories are explained in a straightforward manner supported by practical engineering examples and applications to ensure that readers can relate theory to practice Some 1 300 engineering situations problems have been flagged up to help demonstrate that engineering cannot be fully understood without a good knowledge of mathematics The extensive and thorough topic coverage makes this a great text for a range of level 2 and 3 engineering courses such as for aeronautical construction electrical electronic mechanical manufacturing engineering and vehicle technology including for BTEC First National and Diploma syllabuses City Guilds Technician Certificate and Diploma syllabuses and even for GCSE and A level revision Its companion website at [www.routledge.com/cw/bird](http://www.routledge.com/cw/bird) provides resources for both students and lecturers including full solutions for all 2 000 further questions lists of essential formulae multiple choice tests and illustrations as well as full solutions to revision tests for course instructors

**Systems Modeling and Computer Simulation** Naim Kheir,2018-12-12 This second edition describes the fundamentals of modelling and simulation of continuous time discrete time discrete event and large scale systems Coverage new to this edition includes a chapter on non linear systems analysis and modelling complementing the treatment of of continuous time and discrete time systems and a chapter on the computer animation and visualization of dynamical systems motion

Getting the books **How To Draw Circuit Diagram In Computer** now is not type of inspiring means. You could not forlorn going once ebook hoard or library or borrowing from your associates to way in them. This is an completely simple means to specifically acquire guide by on-line. This online statement How To Draw Circuit Diagram In Computer can be one of the options to accompany you with having additional time.

It will not waste your time. say you will me, the e-book will entirely publicize you additional concern to read. Just invest little period to approach this on-line pronouncement **How To Draw Circuit Diagram In Computer** as capably as evaluation them wherever you are now.

[https://staging.conocer.cide.edu/book/uploaded-files/Download\\_PDFS/Emc\\_Recoverpoint\\_Cli\\_Reference\\_Guide.pdf](https://staging.conocer.cide.edu/book/uploaded-files/Download_PDFS/Emc_Recoverpoint_Cli_Reference_Guide.pdf)

## **Table of Contents How To Draw Circuit Diagram In Computer**

1. Understanding the eBook How To Draw Circuit Diagram In Computer
  - The Rise of Digital Reading How To Draw Circuit Diagram In Computer
  - Advantages of eBooks Over Traditional Books
2. Identifying How To Draw Circuit Diagram In Computer
  - Exploring Different Genres
  - Considering Fiction vs. Non-Fiction
  - Determining Your Reading Goals
3. Choosing the Right eBook Platform
  - Popular eBook Platforms
  - Features to Look for in an How To Draw Circuit Diagram In Computer
  - User-Friendly Interface
4. Exploring eBook Recommendations from How To Draw Circuit Diagram In Computer
  - Personalized Recommendations
  - How To Draw Circuit Diagram In Computer User Reviews and Ratings
  - How To Draw Circuit Diagram In Computer and Bestseller Lists

5. Accessing How To Draw Circuit Diagram In Computer Free and Paid eBooks
  - How To Draw Circuit Diagram In Computer Public Domain eBooks
  - How To Draw Circuit Diagram In Computer eBook Subscription Services
  - How To Draw Circuit Diagram In Computer Budget-Friendly Options
6. Navigating How To Draw Circuit Diagram In Computer eBook Formats
  - ePub, PDF, MOBI, and More
  - How To Draw Circuit Diagram In Computer Compatibility with Devices
  - How To Draw Circuit Diagram In Computer Enhanced eBook Features
7. Enhancing Your Reading Experience
  - Adjustable Fonts and Text Sizes of How To Draw Circuit Diagram In Computer
  - Highlighting and Note-Taking How To Draw Circuit Diagram In Computer
  - Interactive Elements How To Draw Circuit Diagram In Computer
8. Staying Engaged with How To Draw Circuit Diagram In Computer
  - Joining Online Reading Communities
  - Participating in Virtual Book Clubs
  - Following Authors and Publishers How To Draw Circuit Diagram In Computer
9. Balancing eBooks and Physical Books How To Draw Circuit Diagram In Computer
  - Benefits of a Digital Library
  - Creating a Diverse Reading Collection How To Draw Circuit Diagram In Computer
10. Overcoming Reading Challenges
  - Dealing with Digital Eye Strain
  - Minimizing Distractions
  - Managing Screen Time
11. Cultivating a Reading Routine How To Draw Circuit Diagram In Computer
  - Setting Reading Goals How To Draw Circuit Diagram In Computer
  - Carving Out Dedicated Reading Time
12. Sourcing Reliable Information of How To Draw Circuit Diagram In Computer
  - Fact-Checking eBook Content of How To Draw Circuit Diagram In Computer
  - Distinguishing Credible Sources
13. Promoting Lifelong Learning

- Utilizing eBooks for Skill Development
- Exploring Educational eBooks

#### 14. Embracing eBook Trends

- Integration of Multimedia Elements
- Interactive and Gamified eBooks

### **How To Draw Circuit Diagram In Computer Introduction**

In today's digital age, the availability of How To Draw Circuit Diagram In Computer books and manuals for download has revolutionized the way we access information. Gone are the days of physically flipping through pages and carrying heavy textbooks or manuals. With just a few clicks, we can now access a wealth of knowledge from the comfort of our own homes or on the go. This article will explore the advantages of How To Draw Circuit Diagram In Computer books and manuals for download, along with some popular platforms that offer these resources. One of the significant advantages of How To Draw Circuit Diagram In Computer books and manuals for download is the cost-saving aspect. Traditional books and manuals can be costly, especially if you need to purchase several of them for educational or professional purposes. By accessing How To Draw Circuit Diagram In Computer versions, you eliminate the need to spend money on physical copies. This not only saves you money but also reduces the environmental impact associated with book production and transportation. Furthermore, How To Draw Circuit Diagram In Computer books and manuals for download are incredibly convenient. With just a computer or smartphone and an internet connection, you can access a vast library of resources on any subject imaginable. Whether you're a student looking for textbooks, a professional seeking industry-specific manuals, or someone interested in self-improvement, these digital resources provide an efficient and accessible means of acquiring knowledge. Moreover, PDF books and manuals offer a range of benefits compared to other digital formats. PDF files are designed to retain their formatting regardless of the device used to open them. This ensures that the content appears exactly as intended by the author, with no loss of formatting or missing graphics. Additionally, PDF files can be easily annotated, bookmarked, and searched for specific terms, making them highly practical for studying or referencing. When it comes to accessing How To Draw Circuit Diagram In Computer books and manuals, several platforms offer an extensive collection of resources. One such platform is Project Gutenberg, a nonprofit organization that provides over 60,000 free eBooks. These books are primarily in the public domain, meaning they can be freely distributed and downloaded. Project Gutenberg offers a wide range of classic literature, making it an excellent resource for literature enthusiasts. Another popular platform for How To Draw Circuit Diagram In Computer books and manuals is Open Library. Open Library is an initiative of the Internet Archive, a non-profit organization dedicated to digitizing cultural artifacts and making them accessible to the public. Open Library hosts millions

of books, including both public domain works and contemporary titles. It also allows users to borrow digital copies of certain books for a limited period, similar to a library lending system. Additionally, many universities and educational institutions have their own digital libraries that provide free access to PDF books and manuals. These libraries often offer academic texts, research papers, and technical manuals, making them invaluable resources for students and researchers. Some notable examples include MIT OpenCourseWare, which offers free access to course materials from the Massachusetts Institute of Technology, and the Digital Public Library of America, which provides a vast collection of digitized books and historical documents. In conclusion, How To Draw Circuit Diagram In Computer books and manuals for download have transformed the way we access information. They provide a cost-effective and convenient means of acquiring knowledge, offering the ability to access a vast library of resources at our fingertips. With platforms like Project Gutenberg, Open Library, and various digital libraries offered by educational institutions, we have access to an ever-expanding collection of books and manuals. Whether for educational, professional, or personal purposes, these digital resources serve as valuable tools for continuous learning and self-improvement. So why not take advantage of the vast world of How To Draw Circuit Diagram In Computer books and manuals for download and embark on your journey of knowledge?

### **FAQs About How To Draw Circuit Diagram In Computer Books**

How do I know which eBook platform is the best for me? Finding the best eBook platform depends on your reading preferences and device compatibility. Research different platforms, read user reviews, and explore their features before making a choice. Are free eBooks of good quality? Yes, many reputable platforms offer high-quality free eBooks, including classics and public domain works. However, make sure to verify the source to ensure the eBook credibility. Can I read eBooks without an eReader? Absolutely! Most eBook platforms offer webbased readers or mobile apps that allow you to read eBooks on your computer, tablet, or smartphone. How do I avoid digital eye strain while reading eBooks? To prevent digital eye strain, take regular breaks, adjust the font size and background color, and ensure proper lighting while reading eBooks. What the advantage of interactive eBooks? Interactive eBooks incorporate multimedia elements, quizzes, and activities, enhancing the reader engagement and providing a more immersive learning experience. How To Draw Circuit Diagram In Computer is one of the best book in our library for free trial. We provide copy of How To Draw Circuit Diagram In Computer in digital format, so the resources that you find are reliable. There are also many Ebooks of related with How To Draw Circuit Diagram In Computer. Where to download How To Draw Circuit Diagram In Computer online for free? Are you looking for How To Draw Circuit Diagram In Computer PDF? This is definitely going to save you time and cash in something you should think about. If you trying to find then search around for online. Without a doubt there are numerous these available and



many of them have the freedom. However without doubt you receive whatever you purchase. An alternate way to get ideas is always to check another How To Draw Circuit Diagram In Computer. This method for see exactly what may be included and adopt these ideas to your book. This site will almost certainly help you save time and effort, money and stress. If you are looking for free books then you really should consider finding to assist you try this. Several of How To Draw Circuit Diagram In Computer are for sale to free while some are payable. If you arent sure if the books you would like to download works with for usage along with your computer, it is possible to download free trials. The free guides make it easy for someone to free access online library for download books to your device. You can get free download on free trial for lots of books categories. Our library is the biggest of these that have literally hundreds of thousands of different products categories represented. You will also see that there are specific sites catered to different product types or categories, brands or niches related with How To Draw Circuit Diagram In Computer. So depending on what exactly you are searching, you will be able to choose e books to suit your own need. Need to access completely for Campbell Biology Seventh Edition book? Access Ebook without any digging. And by having access to our ebook online or by storing it on your computer, you have convenient answers with How To Draw Circuit Diagram In Computer To get started finding How To Draw Circuit Diagram In Computer, you are right to find our website which has a comprehensive collection of books online. Our library is the biggest of these that have literally hundreds of thousands of different products represented. You will also see that there are specific sites catered to different categories or niches related with How To Draw Circuit Diagram In Computer So depending on what exactly you are searching, you will be able to choose ebook to suit your own need. Thank you for reading How To Draw Circuit Diagram In Computer. Maybe you have knowledge that, people have search numerous times for their favorite readings like this How To Draw Circuit Diagram In Computer, but end up in harmful downloads. Rather than reading a good book with a cup of coffee in the afternoon, instead they juggled with some harmful bugs inside their laptop. How To Draw Circuit Diagram In Computer is available in our book collection an online access to it is set as public so you can download it instantly. Our digital library spans in multiple locations, allowing you to get the most less latency time to download any of our books like this one. Merely said, How To Draw Circuit Diagram In Computer is universally compatible with any devices to read.

### **Find How To Draw Circuit Diagram In Computer :**

[emc recoverpoint cli reference guide](#)

**emerson ewd2202 owners manual**

**emachines e732zg manual**

**elsevier vce answers**

**ematic eb105 user manual**

[elgin lathe manual](#)

[elsie s kith and kin](#)

[eltek smps 700 manual](#)

[emotion false positive fifth and dent book 3](#)

**emotional vampires dealing with people who drain you dry**

[elsevier pediatric nursing study guide answers](#)

**elgin 4547e alarm clock manual**

**emd ac traction motors**

[emotional intelligence eq vs iq volume 1](#)

[elna 3000 series user guide](#)

### **How To Draw Circuit Diagram In Computer :**

*pouzzolane french meaning translation wordsense* - Dec 13 2022

web wordsense dictionary pouzzolane spelling hyphenation synonyms translations meanings definitions

**pouzzolane temps romanesque pdf htaccess guide com** - Oct 11 2022

web feb 28 2023 pouzzolane temps romanesque can be taken as with ease as picked to act the structures of practical knowledge matteo valleriani 2017 02 20 the structures of practical knowledge investigates the nature of practical knowledge why how when and by whom it is codified and once codified how this knowledge is structured

*pouzzolane temps romanesque magallantaekwondo com* - Jul 08 2022

web it is your definitely own get older to put on reviewing habit along with guides you could enjoy now is pouzzolane temps romanesque below lake pavin télesphore sime ngando 2018 07 07 this book represents the first multidisciplinary scientific work on a deep volcanic maar lake in comparison with other similar temperate lakes the

[pouzzolane temps romanesque by josé d arrigo](#) - Jun 19 2023

web jun 26 2023 ebook pouzzolane temps romanesque by josé d arrigo is in addition valuable you could quickly obtain this pouzzolane temps romanesque by josé d arrigo after securing special

*pouzzolane temps romanesque sam arabtravelers* - Aug 09 2022

web pouzzolane temps romanesque downloaded from sam arabtravelers com by guest shannon sanchez george eliot bloomsbury publishing this book represents the first multidisciplinary scientific work on a deep volcanic maar lake in comparison with other similar temperate lakes the syntheses of the main characteristics of

**pouzzolane temps romanesque by josé d arrigo** - Jul 20 2023

web maudite pouzzolane est un hommage aux siciliens tourmentés orgueilleux et happés par la fascination du néant le ciel de la chapelle sixtine roman historique leon

**pouzzolane temps romanesque help environment harvard edu** - May 18 2023

web pouzzolane temps romanesque is available in our digital library an online access to it is set as public so you can download it instantly our books collection hosts in multiple locations allowing you to get the most less latency time to

**pouzzolane temps romanesque helpdesk bricksave com** - Mar 04 2022

web pouzzolane temps romanesque the structures of practical knowledge living dangerously lake pavin wolfgang laib days near rome quoi de neuf journal général de l instruction publique et des cultes the imaginary sea praeterita bibliographie nationale française bibliographie nationale française livres de france rossignols merles grives et

**pouzzolane temps romanesque ceu social** - Aug 21 2023

web oct 14 2023 enter the realm of pouzzolane temps romanesque a mesmerizing literary masterpiece penned by way of a distinguished author guiding readers on a profound journey to unravel the secrets and potential hidden within every word

*pouzzolane temps romanesque ftp popcake* - Nov 12 2022

web 2 pouzzolane temps romanesque 2023 03 27 thank you for being an important part of keeping this knowledge alive and relevant the indian cottage harper collins this 1546 publication remains a landmark in geology with unprecedented classifications by physical property and locality simple standardized naming system summaries of earlier studies

*pouzzolane temps romanesque stage gapinc com* - Sep 22 2023

web 2 pouzzolane temps romanesque 2023 08 15 a key to fully appreciating his complex and transcendent body of work the folk lore of rome peter lang pub incorporated this work the first of a two volume set brings together essays of european and american scholars

**pouzzolane temps romanesque by josé d arrigo** - Jun 07 2022

web jun 7 2023 pouzzolane temps romanesque by josé d arrigo as you such as pouzzolane temps romanesque by josé d arrigo is at hand in our book collection an online access to it is set as public so you can get it instantly you cannot be perplexed to enjoy every book compilations pouzzolane temps romanesque by josé d

**pouzzolane temps romanesque by josé d arrigo** - Apr 17 2023

web jun 16 2023 pouzzolane temps romanesque by josé d arrigo this pouzzolane temps romanesque by josé d arrigo as one of the most running sellers here will completely be accompanied by by the best options to review

**pouzzolane traduction en anglais exemples français reverso** - Jan 14 2023

web traductions en contexte de pouzzolane en français anglais avec reverso context possibilité d épandre du sel sable

pouzzolane temps écoulé 103 ms mots fréquents 1 300 301 600 601 900 expressions courtes fréquentes 1 400 401 800 801

1200

*pouzzolanetempsromanesque pdf mdp gnims edu* - Mar 16 2023

web pouzzolanetempsromanesque historic mortars the popular encyclopedia or conversations lexicon bio architecture the twentieth century cyclopedia the builder

**pouzzolane temps romanesque pqr uiaf gov co** - May 06 2022

web cendre du volcan dans cette noire pouzzolane qui recouvre les flancs calcins de l etna autant qu un hymne la sicile belle sauvage et maudite pouzzolane est un hommage aux siciliens tourments orgueilleux et happs par la fascination du nant roman wall painting hamdallah a bearat 1997 12 31

**pouzzolane wikipédia** - Oct 23 2023

web la pouzzolane est une roche naturelle constituée par des scories projections volcaniques basaltiques ou de composition proche elle a une structure alvéolaire la pouzzolane est généralement rouge ou noire avec toutes les teintes

*pouzzolane translation in english french english dictionary* - Feb 15 2023

web pouzzolane translation french english dictionary n n possibilité d épancre du sel sable pouzzolane possibility to spread salt sand pozzolan de préférence la pouzzolane se compose de cendres volantes pulvérisées preferably the pozzolan is pulverised fly ash remplacement de pouzzolane fourniture de rehausses ou couvercles

*pouzzolane temps romanesque pqr uiaf gov co* - Sep 10 2022

web pouzzolane temps romanesque and numerous ebook collections from fictions to scientific research in any way among them is this pouzzolane temps romanesque that can be your partner les livres disponibles 2003 issued in 2 parts pt 1 auteurs and pt 2 titres lake pavin télesphore sime ngando 2016 10 31 this book represents the first

*pouzzolanetempsromanesque pdf dev spacetime nypl* - Apr 05 2022

web pouzzolane journal général de l instruction publique et des cultes praeterita days near rome real beauty rossignols merles grives et autres insectivores quoi de neuf pouzzolanetempsromanesque downloaded from dev spacetime nypl org by guest benjamin wilcox l œuvre romanesque de matilde serao penn state press from

**administrative assistant job description 2023 template** - Jun 21 2022

web job brief we are looking for a responsible administrative assistant to perform a variety of administrative and clerical tasks duties of the administrative assistant include providing support to our managers and employees assisting in daily office needs and managing our company s general administrative activities

*administrative assistant resume sample with job description* - Nov 26 2022

web mar 4 2023 looking for an administrative assistant resume sample check out this cv sample we ve recently produced for an administrative assistant in singapore resumewriter sg

**12 administrative assistant performance goals and examples** - Sep 24 2022

web mar 10 2023 administrative assistant performance goals are objectives that relate to administrative tasks and may involve improving the efficiency of company processes if you re interested in improving your skills as an administrative assistant then you may want to learn more about setting performance goals

**how to write an administrative assistant summary of qualifications indeed** - Jan 29 2023

web jan 26 2023 it s useful to see examples of administrative assistant qualification summaries to inspire you and help you create a summary that appeals to employers here are some examples of summaries for administrative assistant resume to review dedicated administrative assistant who recently graduated college with a degree in

**career portfolio basics examples how to create one upwork** - Mar 31 2023

web jul 26 2022 we share more advice on this in the upcoming how to select your best work samples section of this article on upwork samples of your work go in the portfolio section of your upwork profile to add a project to your portfolio go to find work profile scroll down to the portfolio section and choose the add button

**administrative assistant cover letter example and template for indeed** - Mar 19 2022

web may 11 2023 updated august 17 2023 administrative assistants can work in various industries including health care manufacturing hospitality and finance if you re applying for a position as an administrative assistant customizing your cover letter to fit the job description can improve your chances of being hired

**administrative assistant job description linkedin business** - Aug 24 2022

web sample administrative assistant job description at company x we owe our success to people and processes an administrative assistant is the supportive force behind both and we are currently seeking someone exceptional to take the helm

**how to create a portfolio as an ea linkedin** - May 01 2023

web apr 13 2023 all executive administrative assistance how do you demonstrate your value and impact as an ea powered by ai and the linkedin community as an executive administrative assistant ea you are

**a career portfolio brings value to administrative assistants** - Feb 27 2023

web feb 5 2020 a career portfolio brings value to administrative assistants joan burge february 5 2020 a stellar career portfolio captures your progressing skill levels professional recognition career enhancements development activities and impressive accomplishments

8 tips for an administrative executive assistant portfolio - Oct 06 2023

web 8 tips for an administrative executive assistant portfolio farmloft sep 5 2022 4 36 pm edt with the right strategies you can squeeze making a quality innovative portfolio into your busy schedule as an administrative assistant maybe you re

happily

**administrative assistant cover letter examples cakeresume** - Feb 15 2022

web jul 22 2021 in the main part of your cover letter for administrative assistant you can demonstrate the qualities and skills required for the job you re applying for tip simply list the most relevant achievements and work experience as examples to help you stand out from the competition

**administrative assistant portfolio manager resume sample livecareer** - May 21 2022

web looking for administrative assistant portfolio manager resume examples online check out one of our best administrative assistant portfolio manager resume samples with education skills and work history to help you curate your own perfect resume for administrative assistant portfolio manager or similar profession

**4 administrative assistant work samples portfolio tools to help** - Aug 04 2023

web feb 3 2020 here are a few tools to help you put a great portfolio together 1 choose a formatting tool you ll need to include many different items in your professional portfolio these include samples of your written communication travel

**professional portfolios all things admin training center** - Oct 26 2022

web a professional portfolio includes your resume work samples documentation of your education and or certifications skills and more it packages all these materials together so that you can easily share them with recruiters hiring managers and employers

*13 skills every admin professional needs upwork* - Jul 23 2022

web apr 25 2022 13 skills every administrative assistant needs there s a wide array of abilities that fall under the umbrella of administrative assistant skills assistants need great soft skills like communication to interact with clients as well as hard skills to handle any technical aspects of the job

*what executives look for in admin portfolios* - Jul 03 2023

web add a couple of sample itineraries to your portfolio that show all the details your traveler may need while they re on the road administrative professionals are the unsung heroes of the workplace but you don t have to be take pride in your accomplishments and make sure your portfolio reflects everything that you have learned and achieved

**administrative assistant job description forbes advisor** - Apr 19 2022

web may 31 2022 administrative assistant job description with examples lee davis cassie bottorff contributor editor reviewed by rob watts editor updated may 31 2022 4 12pm editorial note we earn a

**what to know when creating your administrative assistant career portfolio** - Jun 02 2023

web december 4 2020 an exceptional career portfolio for an administrative assistant is designed to showcase you and your personal and unique brand it highlights all you have accomplished and displays your key professional goals

*how to write an admin assistant resume with example* - Dec 28 2022

web sep 25 2023 understanding how to write an admin assistant resume can help you prepare an effective one to submit with your job application in this article we outline what an admin assistant resume is explain how to write one and provide a template and example related administrative assistant job description with requirements

**how to create a portfolio or reference list for administrative assistants** - Sep 05 2023

web aug 3 2023 the first step to creating a portfolio or reference list is to select samples of your work that demonstrate your administrative skills and abilities these can include reports memos

*circuit construction kit dc phet interactive simulations* - Jul 01 2023

web build circuits with batteries resistors ideal and non ohmic light bulbs fuses and switches determine if everyday objects are conductors or insulators and take measurements with an ammeter and voltmeter view the circuit as a schematic diagram or switch to a lifelike view

phet interactive simulations university of colorado boulder - Jan 27 2023

web phet simulations provide fun interactive research based simulations for use in k 12 and college stem education to help students visually comprehend concepts phet simulations animate what is invisible to the eye through the use of graphics and intuitive controls such as click and drag manipulations sliders and radio buttons

**phet free online physics chemistry biology earth science and** - Oct 04 2023

web free science and math simulations for teaching stem topics including physics chemistry biology and math from university of colorado boulder

phet simulations apps on google play - Dec 26 2022

web sep 15 2022 perfect for at home in class or on the road this app delivers all the award winning phet html5 sims over 85 sims in one easy to use package developed by experts at the university of colorado boulder phet sims are used by millions of students every year the phet app delivers these exclusive features

*circuit construction kit dc phet interactive simulations* - Sep 03 2023

web circuit construction kit dc phet interactive simulations

**filter phet simulations** - May 31 2023

web whether you have laptops ipads chromebooks or byod your favorite phet sims are always right at your fingertips become part of our mission today and transform the learning experiences of students everywhere

*phet interactive simulations wikipedia* - Feb 25 2023

web phet interactive simulations a project at the university of colorado boulder is a non profit open educational resource project that creates and hosts explorable explanations it was founded in 2002 by nobel laureate carl wieman phet began with

wieman s vision to improve the way science is taught and learned

**create your phet account phet interactive simulations** - Aug 02 2023

web the phet website does not support your browser we recommend using the latest version of chrome firefox safari or edge

*phet kostenlose online simulationen aus physik chemie* - Apr 29 2023

web 3001 von lehrenden zur verfügung gestelltes material das projekt phet interaktive simulationen der university of colorado boulder wurde 2002 vom nobelpreisträger carl wieman gegründet und bietet kostenlose interaktive simulationen aus mathematik und

**phet io about university of colorado boulder** - Mar 29 2023

web founded in 2002 by nobel laureate carl wieman the phet interactive simulations project at the university of colorado boulder provides over 130 free interactive math and science simulations phet sims are based on extensive education research and engage students through an intuitive game like environment where students learn through