

Connector colours

Nr	Black	Or	Orange
Bs	Blue	Rg	Red
Mr	Brown	Bs	White
Gr	Grey	Jn	Yellow
Ve	Green		

Key to items

- 1 Battery
- 2 Ignition switch
- 3 Engine fuse box
- 4 Passenger fuse box
- 70 RH rear door switch
- 71 Passenger's door switch
- 72 Driver's door switch
- 96 Mirror control switches
- 97 Passenger's mirror
- 98 Driver's mirror

- 99 Front interior light
- 100 Rear interior light
- 101 Map reading light
- 102 Instrument panel
- a) Illumination
- b) LH indicator
- c) LH indicator
- d) clock
- e) handbrake warning
- f) ABS warning

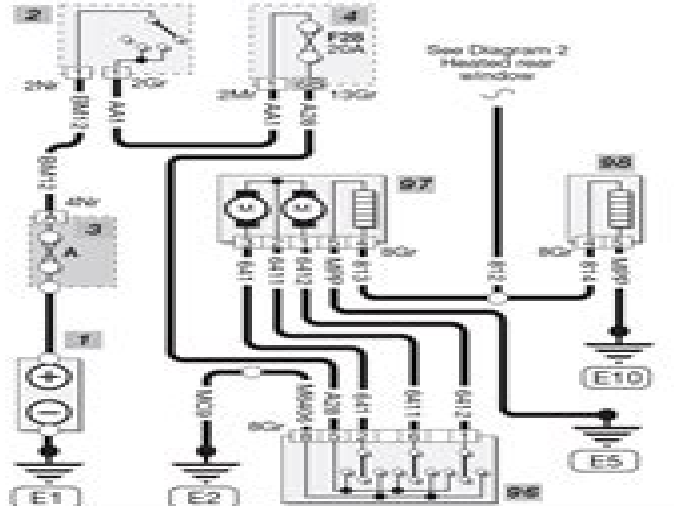
- g) airbag warning
- h) coolant temperature warning
- i) oil pressure warning
- j) dipped beam
- k) hi beam warning
- l) fog light
- m) charge warning
- n) low coolant warning
- o) brake pad wear warning
- p) low fuel warning

Diagram 7

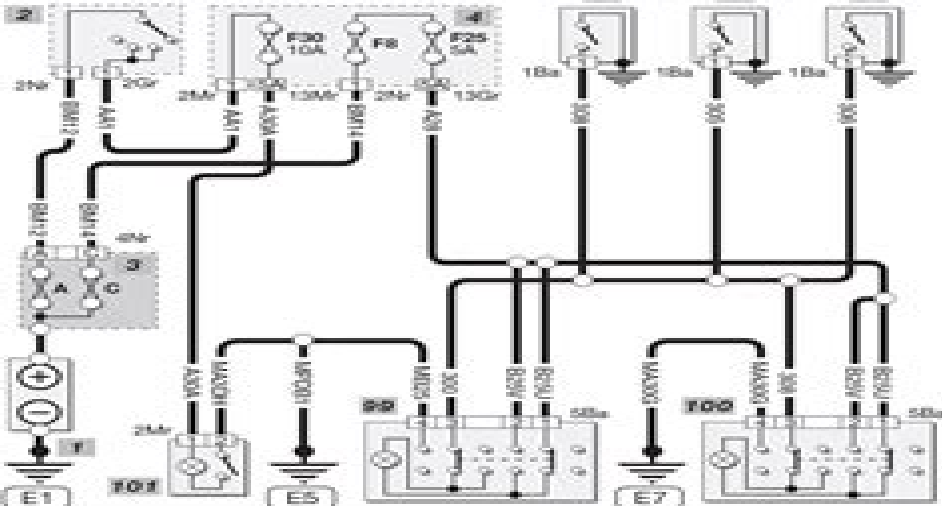
- 103 Coolant level sensor
- 104 LH brake pad wear sensor
- 105 RH brake pad wear sensor
- 106 Brake fluid level sensor
- 107 Handbrake switch
- 108 Fuel level sensor
- 109 Oil level sensor
- 110 Oil pressure sensor

MTS
4002734

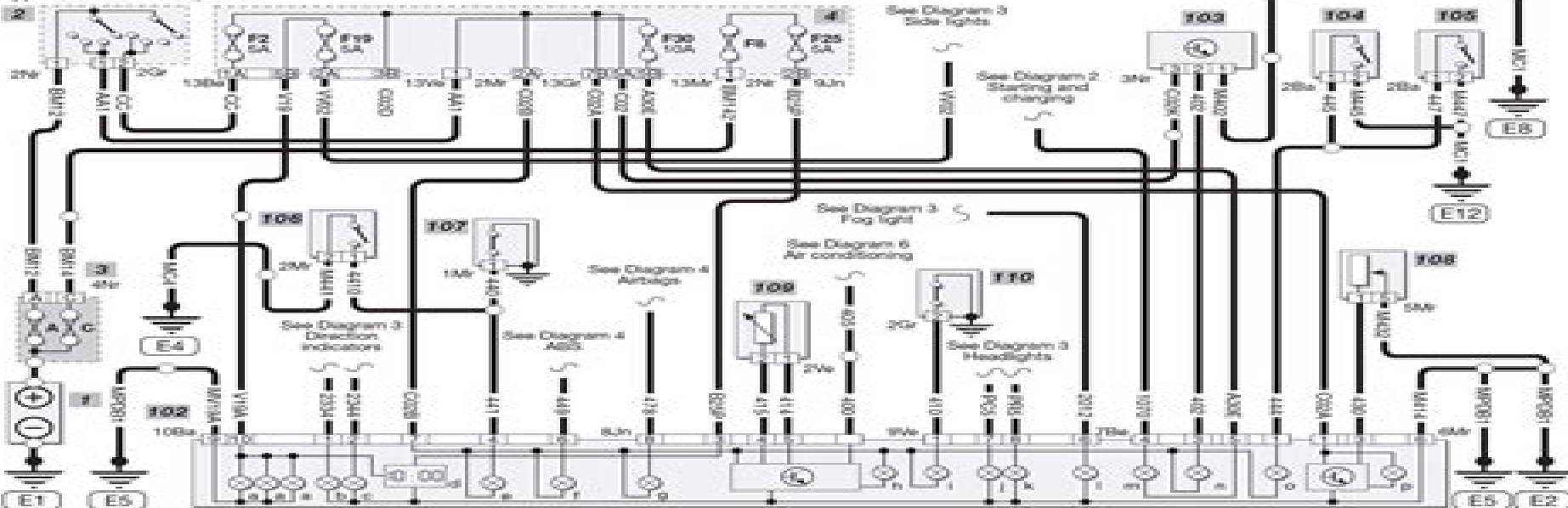
Typical electric mirrors



Typical interior lights



Typical instrument panel



Haynes Repair Manual Peugeot Partner

John S. Mead, A. K. Legg



Haynes Repair Manual Peugeot Partner:

This Engaging World of E-book Books: A Thorough Guide Unveiling the Pros of Kindle Books: A World of Convenience and Flexibility E-book books, with their inherent portability and simplicity of access, have freed readers from the constraints of hardcopy books. Gone are the days of carrying cumbersome novels or carefully searching for specific titles in bookstores. Kindle devices, sleek and lightweight, seamlessly store an wide library of books, allowing readers to immerse in their favorite reads whenever, everywhere. Whether commuting on a bustling train, relaxing on a sun-kissed beach, or simply cozying up in bed, E-book books provide an exceptional level of convenience. A Literary Universe Unfolded: Discovering the Wide Array of E-book Haynes Repair Manual Peugeot Partner Haynes Repair Manual Peugeot Partner The Kindle Store, a virtual treasure trove of literary gems, boasts an extensive collection of books spanning diverse genres, catering to every readers preference and choice. From captivating fiction and thought-provoking non-fiction to classic classics and modern bestsellers, the Kindle Store offers an exceptional variety of titles to discover. Whether seeking escape through engrossing tales of fantasy and adventure, diving into the depths of historical narratives, or expanding ones knowledge with insightful works of scientific and philosophical, the E-book Shop provides a doorway to a literary world brimming with endless possibilities. A Transformative Factor in the Bookish Scene: The Enduring Influence of Kindle Books Haynes Repair Manual Peugeot Partner The advent of Kindle books has undoubtedly reshaped the literary landscape, introducing a paradigm shift in the way books are released, disseminated, and read. Traditional publishing houses have embraced the online revolution, adapting their approaches to accommodate the growing demand for e-books. This has led to a surge in the availability of E-book titles, ensuring that readers have access to a vast array of bookish works at their fingers. Moreover, E-book books have democratized access to books, breaking down geographical limits and providing readers worldwide with equal opportunities to engage with the written word. Regardless of their place or socioeconomic background, individuals can now engross themselves in the captivating world of literature, fostering a global community of readers. Conclusion: Embracing the Kindle Experience Haynes Repair Manual Peugeot Partner Kindle books Haynes Repair Manual Peugeot Partner, with their inherent ease, versatility, and wide array of titles, have certainly transformed the way we experience literature. They offer readers the freedom to discover the boundless realm of written expression, whenever, everywhere. As we continue to navigate the ever-evolving digital landscape, E-book books stand as testament to the enduring power of storytelling, ensuring that the joy of reading remains reachable to all.

<https://staging.conocer.cide.edu/results/Resources/Documents/hp%20ze2202%20laptops%20owners%20manual.pdf>

Table of Contents Haynes Repair Manual Peugeot Partner

1. Understanding the eBook Haynes Repair Manual Peugeot Partner
 - The Rise of Digital Reading Haynes Repair Manual Peugeot Partner
 - Advantages of eBooks Over Traditional Books
2. Identifying Haynes Repair Manual Peugeot Partner
 - Exploring Different Genres
 - Considering Fiction vs. Non-Fiction
 - Determining Your Reading Goals
3. Choosing the Right eBook Platform
 - Popular eBook Platforms
 - Features to Look for in an Haynes Repair Manual Peugeot Partner
 - User-Friendly Interface
4. Exploring eBook Recommendations from Haynes Repair Manual Peugeot Partner
 - Personalized Recommendations
 - Haynes Repair Manual Peugeot Partner User Reviews and Ratings
 - Haynes Repair Manual Peugeot Partner and Bestseller Lists
5. Accessing Haynes Repair Manual Peugeot Partner Free and Paid eBooks
 - Haynes Repair Manual Peugeot Partner Public Domain eBooks
 - Haynes Repair Manual Peugeot Partner eBook Subscription Services
 - Haynes Repair Manual Peugeot Partner Budget-Friendly Options
6. Navigating Haynes Repair Manual Peugeot Partner eBook Formats
 - ePub, PDF, MOBI, and More
 - Haynes Repair Manual Peugeot Partner Compatibility with Devices
 - Haynes Repair Manual Peugeot Partner Enhanced eBook Features
7. Enhancing Your Reading Experience
 - Adjustable Fonts and Text Sizes of Haynes Repair Manual Peugeot Partner
 - Highlighting and Note-Taking Haynes Repair Manual Peugeot Partner
 - Interactive Elements Haynes Repair Manual Peugeot Partner
8. Staying Engaged with Haynes Repair Manual Peugeot Partner

- Joining Online Reading Communities
 - Participating in Virtual Book Clubs
 - Following Authors and Publishers Haynes Repair Manual Peugeot Partner
9. Balancing eBooks and Physical Books Haynes Repair Manual Peugeot Partner
- Benefits of a Digital Library
 - Creating a Diverse Reading Collection Haynes Repair Manual Peugeot Partner
10. Overcoming Reading Challenges
- Dealing with Digital Eye Strain
 - Minimizing Distractions
 - Managing Screen Time
11. Cultivating a Reading Routine Haynes Repair Manual Peugeot Partner
- Setting Reading Goals Haynes Repair Manual Peugeot Partner
 - Carving Out Dedicated Reading Time
12. Sourcing Reliable Information of Haynes Repair Manual Peugeot Partner
- Fact-Checking eBook Content of Haynes Repair Manual Peugeot Partner
 - Distinguishing Credible Sources
13. Promoting Lifelong Learning
- Utilizing eBooks for Skill Development
 - Exploring Educational eBooks
14. Embracing eBook Trends
- Integration of Multimedia Elements
 - Interactive and Gamified eBooks

Haynes Repair Manual Peugeot Partner Introduction

Haynes Repair Manual Peugeot Partner Offers over 60,000 free eBooks, including many classics that are in the public domain. Open Library: Provides access to over 1 million free eBooks, including classic literature and contemporary works. Haynes Repair Manual Peugeot Partner Offers a vast collection of books, some of which are available for free as PDF downloads, particularly older books in the public domain. Haynes Repair Manual Peugeot Partner : This website hosts a vast collection of scientific articles, books, and textbooks. While it operates in a legal gray area due to copyright issues, its a popular resource for finding various publications. Internet Archive for Haynes Repair Manual Peugeot Partner : Has an

extensive collection of digital content, including books, articles, videos, and more. It has a massive library of free downloadable books. Free-eBooks Haynes Repair Manual Peugeot Partner Offers a diverse range of free eBooks across various genres. Haynes Repair Manual Peugeot Partner Focuses mainly on educational books, textbooks, and business books. It offers free PDF downloads for educational purposes. Haynes Repair Manual Peugeot Partner Provides a large selection of free eBooks in different genres, which are available for download in various formats, including PDF. Finding specific Haynes Repair Manual Peugeot Partner, especially related to Haynes Repair Manual Peugeot Partner, might be challenging as they're often artistic creations rather than practical blueprints. However, you can explore the following steps to search for or create your own Online Searches: Look for websites, forums, or blogs dedicated to Haynes Repair Manual Peugeot Partner, Sometimes enthusiasts share their designs or concepts in PDF format. Books and Magazines Some Haynes Repair Manual Peugeot Partner books or magazines might include. Look for these in online stores or libraries. Remember that while Haynes Repair Manual Peugeot Partner, sharing copyrighted material without permission is not legal. Always ensure you're either creating your own or obtaining them from legitimate sources that allow sharing and downloading. Library Check if your local library offers eBook lending services. Many libraries have digital catalogs where you can borrow Haynes Repair Manual Peugeot Partner eBooks for free, including popular titles. Online Retailers: Websites like Amazon, Google Books, or Apple Books often sell eBooks. Sometimes, authors or publishers offer promotions or free periods for certain books. Authors Website Occasionally, authors provide excerpts or short stories for free on their websites. While this might not be the Haynes Repair Manual Peugeot Partner full book, it can give you a taste of the author's writing style. Subscription Services Platforms like Kindle Unlimited or Scribd offer subscription-based access to a wide range of Haynes Repair Manual Peugeot Partner eBooks, including some popular titles.

FAQs About Haynes Repair Manual Peugeot Partner Books

How do I know which eBook platform is the best for me? Finding the best eBook platform depends on your reading preferences and device compatibility. Research different platforms, read user reviews, and explore their features before making a choice. Are free eBooks of good quality? Yes, many reputable platforms offer high-quality free eBooks, including classics and public domain works. However, make sure to verify the source to ensure the eBook's credibility. Can I read eBooks without an eReader? Absolutely! Most eBook platforms offer web-based readers or mobile apps that allow you to read eBooks on your computer, tablet, or smartphone. How do I avoid digital eye strain while reading eBooks? To prevent digital eye strain, take regular breaks, adjust the font size and background color, and ensure proper lighting while reading eBooks. What's the advantage of interactive eBooks? Interactive eBooks incorporate multimedia elements, quizzes, and activities,

enhancing the reader engagement and providing a more immersive learning experience. Haynes Repair Manual Peugeot Partner is one of the best book in our library for free trial. We provide copy of Haynes Repair Manual Peugeot Partner in digital format, so the resources that you find are reliable. There are also many Ebooks of related with Haynes Repair Manual Peugeot Partner. Where to download Haynes Repair Manual Peugeot Partner online for free? Are you looking for Haynes Repair Manual Peugeot Partner PDF? This is definitely going to save you time and cash in something you should think about.

Find Haynes Repair Manual Peugeot Partner :

hp ze2202 laptops owners manual

hp sr5071 desktops owners manual

hp server guide

hp sr1659 desktops owners manual

hsc question paper 24

hplc integracion manual

hp ze4251 laptops owners manual

hsc board exam paper 2009

hsc board 17 no form 2013 pune

hsc exam 2015 suggestion for ict in dhaka board

hp t1120ps printers owners manual

hsc exam2016 sugession

hp photosmart 5515 manual

hp proliant ml350 server manual

hrc-setup manual

Haynes Repair Manual Peugeot Partner :

summer programmes at nus national university of singapore - Jul 02 2023

web oct 20 2022 nus offers a selection of summer programmes here in singapore to cater to the various academic and personal interests that you may have note these programmes are open to both visiting students as well as full time nus students

season definition when do they start timeanddate com - Sep 04 2023

web fall autumn runs from september 1 to november 30 and winter runs from december 1 to february 28 february 29 in a leap year when the northern hemisphere gets most sunlight summer the southern hemisphere gets least winter timeanddate com

summer wikipedia - Oct 05 2023

web summer is the hottest of the four temperate seasons occurring after spring and before autumn at or centred on the summer solstice daylight hours are longest and darkness hours are shortest with day length decreasing as the season progresses after the solstice

summer the warmest season live science - Dec 27 2022

web mar 11 2022 summer is the warmest season of the year falling between spring and autumn temperatures over the period differ based upon the location on the earth regions near the equator are typically warmer

when does summer start britannica - Jan 28 2023

web in astronomical terms the start of summer can be defined very precisely it begins on the summer solstice which occurs on june 20 or 21 in the northern hemisphere and on december 21 or 22 in the southern hemisphere on the summer solstice in the northern hemisphere the path of the sun in the sky hits its northernmost point

singapore in summer 2023 weather things to do events more - Aug 03 2023

web 1 pleasant weather from june on the southwest monsoons arrive bringing with them less rain and thunderstorms to singapore generally speaking this time of year is pleasant due to the abundance of sunlight 2 budget hotels in july when traffic to the nation is at its slowest look for budget flights and hotels 3

summer definition meaning merriam webster - Feb 26 2023

web the meaning of summer is the season between spring and autumn comprising in the northern hemisphere usually the months of june july and august or as reckoned astronomically extending from the june solstice to the september equinox how to use summer in a sentence

summer sunshine heatwaves vacations britannica - Jun 01 2023

web 2 days ago summer warmest season of the year between spring and autumn in the northern hemisphere it is usually defined as the period between the summer solstice year s longest day june 21 or 22 and the autumnal equinox day and night equal in length september 22 or 23 and in the southern

seasons dates of spring summer fall winter timeanddate com - Apr 30 2023

web dates are based on the gregorian calendar times adjusted for dst if applicable current year is highlighted the seasons calculator shows the times and dates of vernal spring autumnal fall equinoxes and summer and winter solstices all over the world

summer simple english wikipedia the free encyclopedia - Mar 30 2023

web summer is one of the four seasons it is the hottest season of the year in some places summer is the wettest season with the most rain and in other places it is a dry season four seasons are found in areas which are not too hot or too cold

penjelasan puil 2011 esdm - Jun 04 2023

web persyaratan umum instalasi listrik 2011 a penjelasan puil 2011 persyaratan umum instalasi listrik 2011 created date 9 16 2014 2 22 40 pm

persyaratan umum instalasi listrik teknik ketenagalistrikan - May 23 2022

web may 10 2013 ketentuan yang terkait di samping persyaratan umum instalasi listrik ini harus pula diperhatikan ketentuan yang terkait dengan dokumen berikut a undang undang no 1 tahun 1970 tentang keselamatan kerja b undang undang no 15 tahun 1985 tentang ketenagalistrikan c undang undang no 23 tahun 1997 tentang pengelolaan

direktorat jenderal ketenagalistrikan - Jul 05 2023

web nov 8 2023 buku penjelasan umum instalasi listrik puil 2011 buku keselamatan dan pemasangan instalasi no judul waktu dibuat download 1 keselamatan dan pemasangan instalasi listrik voltase rendah untuk rumah tangga 2016 buku puil edisi 2016 2 penjelasan puil 2011 2011 buku puil 2011 tentang direktorat jenderal

elektrik iç tesisleri mevzuat - Apr 02 2023

web amaç kapsam uygulama dayanak ve tanımlar madde 1 bu yönetmeliğin amacı elektrik iç tesisleri yönetmeliği kapsamında yapılması gereken elektrik tesisat projelerinin hazırlanmasına dair usul ve esasları düzenlenmektir madde 2 bu yönetmelik elektrik iç tesisleri yönetmeliği kapsamındaki kuvvet aydınlatma reaktif

pemesanan online bsn go id - Apr 21 2022

web persyaratan umum instalasi listrik 2011 puil 2011 amandemen 1 status standar berlaku komite teknis 91 03 persyaratan umum instalasi listrik puil ics 13 260 perlindungan terhadap kejutan listrik pekerjaan bertegangan 91 140 50 sistem pemasokan listrik sk penetapan 160 kep bsn 6 2013 tanggal penetapan

puil 2011 232826711 sni 0225 2013 pdf slideshare - Oct 08 2023

web nov 19 2015 hakciptabadanstandardisasinasional copystandarinidibuatuntukpenayangandi bsn go iddantidakuntukdikomersialkan sni 0225 2011 amd 1 2013 bsn 2013 1 dari 154 persyaratan umum instalasi listrik bagian 5 52 pemilihan dan pemasangan perlengkapan listrik sistem perkawatan

permen esdm no 36 tahun 2014 tentang pemberlakuan standar peraturan - May 03 2023

web permen esdm no 36 tahun 2014 tentang pemberlakuan standar nasional indonesia 0225 2011 mengenai persyaratan umum instalasi listrik 2011 puil 2011 dan standar nasional indonesia 0225 2011 amd1 2013 mengenai persyaratan umum instalasi listrik 2011 puil 2011 amandemen 1 sebagai standar wajib

persyaratan umum instalasi listrik 2011 puil 2011 amandemen 1 - Nov 28 2022

web 1 definisi persyaratan umum jobsheet praktikum 1 workshop instalasi penerangan listrik konsep umum pengkaderan 2011 a persyaratan pelamar 1 persyaratan umum pemeriksaan instalasi listrik dasar pemeliharaan instalasi listrik

berita negara republik indonesia peraturan go id - Jun 23 2022

web keputusan menteri energi dan sumber daya mineral nomor 2046 k 40 mem 2001 tanggal 28 agustus 2001 tentang pemberlakuan standar nasional indonesia bidang rekayasa elektroteknika sni 04 0225 2000 mengenai persyaratan umum instalasi listrik 2000 puil 2000 sebagai standar wajib di bidang ketenagalistrikan dan

direktorat jenderal ketenagalistrikan - Mar 01 2023

web nov 7 2023 sakelar untuk keperluan instalasi listrik rumah tangga instalasi listrik magun atau set pembangkit tegangan rendah atau sejenisnya sni iec 60669 1 2013 sakelar untuk instalasi listrik magun rumah tangga dan sejenis bagian 1

persyaratan umum iec 60669 1 2007 idt 2021 peraturan menteri esdm no 7 tahun 2021

persyaratan umum instalasi listrik 2011 puil 2011 muhyidin - Aug 06 2023

web persyaratan umum instalasi listrik 2011 puil 2011 bagian 5 56 pemilihan dan pemasangan perlengkapan listrik layanan keselamatan catatan bagian 5 56 merupakan adopsi dari iec 60364 5 56 2009 07 dengan modifikasi modifikasi dapat berupa penambahan perubahan atau pengurangan ayat subayat tabel catatan

iec güncel standartlar 2021 bölüm 1 etp - Jul 25 2022

web iec güncel standartlar 2021 bölüm 1 etp anasayfa teknik makaleler etp teknik kılavuzlar etp teknik Şartname ve yönetmelik Çalışmaları akıllı Şebekeler asansörler yürüyen merdivenler aydınlatma

sistem informasi standar nasional indonesia - Sep 26 2022

web persyaratan umum instalasi listrik puil bagian 5 54 pemilihan dan pemasangan peralatan listrik susunan pembumian dan konduktor proteksi sni ini merevisi sni 0225 2011 amd 5 2016 persyaratan umum instalasi listrik 2011 puil 2011 amendemen 5 iec 60364 5 56 2009 mod

simantu kementerian pupr instalasi listrik - Jan 31 2023

web sep 2 2021 peraturan umum instalasi listrik 02 sep 2021 bidang ilmu manajemen umum penulis sumber administrator diunggah oleh administrator 20 0 download file ikuti penulis deskripsi disusun untuk memenuhi keperluan atas peraturan peraturan umum yang seragam

t c resmî gazete - Sep 07 2023

web oct 2 2013 Özelleştirme İdaresi başkanlığının 30 9 2013 tarihli ve 2013 Öİb k 53 sayılı kararı İlânlar a yargı İlânları b artırma eksiltme ve İhale İlânları c Çeşitli İlânlar t c merkez bankasınca belirlenen döviz kurları ve devlet İç borçlanma senetlerinin günlük değerleri

standartlar standartlara uyum elektrik tesisat portalı - Mar 21 2022

web alçak gerilim anahtarlama ve kontrol düzenleri ts en 61439 yazı dizisi 314 Şubat 2016 5524 elektrik İç tesisleri proje hazırlama yönetmeliği ve İlgili güncel standartlar yazı dizisi 422 aralık 2015 4506 yapı malzemeleri yönetmeliği cpr kapsamında kabloların sınıflandırılma yöntemi2705

peraturan umum instalasi listrik 2013 copy licm mcgill - Feb 17 2022

web peraturan umum instalasi listrik 2013 1 peraturan umum instalasi listrik 2013 undang undang no 2 tahun 2012 tentang pengadaan tanah bagi pembangunan untuk kepentingan umum undang undang no 28 tahun 2002 tentang bangunan gedung

download puil 2011 persyaratan umum instalasi listrik terbaru - Oct 28 2022

web jun 14 2021 0 38 779 1 minute read download puil 2011 persyaratan umum instalasi listrik terbaru puil 2011 merupakan petunjuk dan penjabaran yang lengkap berdasarkan standar nasional indonesia dan mengikuti kaidah prosedur internasional

peraturan umum instalasi listrik 2013 pdf files climagic - Aug 26 2022

web 2 peraturan umum instalasi listrik 2013 2020 10 09 drawn from international best practices such as government commitment enabling institutional environments adequate and sustainable financing and stakeholder coordination are discussed in the context of indonesia s energy sector the report gives recommendations for establishing service

elektrik İç tesisleri yönetmeliği konsolide metin lexpera - Dec 30 2022

web oct 25 1996 e 1 banyo ya da duş küvetlerindeki metal çıkış boruları metal banyo ya da duş küveti ile metal su boruları ve gerekiyorsa öteki metal boru sistemleri bir potansiyel dengeleme iletkeni ile birbirine bağlanmalıdır Şekil 22 banyo ve duş yerlerinde elektrik tesisleri bulunmasa bile bu bağlantılar yapılmalıdır

was ist falsch im maya land versteckte technologie pdf - Jun 19 2023

web archaeological finds in mesoamerica the land of the maya this tale follows a young man as he is trained as a shaman healer scribe and stonecutter as he accepts the

was ist falsch im maya land versteckte technologie buch - Sep 10 2022

web entdecken sie was ist falsch im maya land versteckte technologie buch zustand sehr gut in der großen auswahl bei ebay kostenlose lieferung für viele artikel

was ist falsch im maya land versteckte technologien in - Dec 13 2022

web was ist falsch im maya land versteckte technologien in tempeln und skulpturen by erich von däniken was ist falsch im maya land versteckte technologien in tempeln

was ist falsch im maya land versteckte technologien in - Sep 22 2023

web was ist falsch im maya land versteckte technologien in tempeln und skulpturen däniken erich von isbn 9783942016865

kostenloser versand für alle bücher mit

was ist falsch im maya land versteckte technologi d berry - Apr 05 2022

web it is your unconditionally own times to accomplishment reviewing habit in the course of guides you could enjoy now is

was ist falsch im maya land versteckte technologi

pdf was ist falsch im maya land versteckte technologi - May 18 2023

web was ist falsch im maya land versteckte technologi the new yearbook for phenomenology and phenomenological philosophy jul 17 2021 the new yearbook for

was ist falsch im maya land versteckte technologi andrews - Mar 04 2022

web aug 9 2023 merely said the was ist falsch im maya land versteckte technologi is universally compatible bearing in mind any devices to read greetings from bury park

was ist falsch im maya land versteckte technologi pdf - Feb 03 2022

web oct 12 2023 technology among the archaeological sites of the maya as well as other ancient cultures such as the aztecs and the hindus he reveals how the gods

was ist falsch im maya land versteckte technologi download - Apr 17 2023

web was ist falsch im maya land versteckte technologi the terrible fate of humpty dumpty jan 27 2022 opens discussion on the moral issues and prejudices surrounding

was ist falsch im maya land versteckte technologi pdf pdf - Nov 12 2022

web clamshell containers at the same time he offers a convincing new theory of technological innovation as a response to the perceived failures of existing

was ist falsch im maya land versteckte technologien in - Aug 21 2023

web was ist falsch im maya land versteckte technologien in tempeln und skulpturen ebook däniken erich amazon de kindle shop kindle shop kindle ebooks politik

isbn 9783942016865 was ist falsch im maya land - Aug 09 2022

web speichern sie ihre suche als auftrag für einen späteren zeitpunkt und lassen sie sich bei neu eintreffenden artikeln automatisch per e mail benachrichtigen optional

was ist falsch im maya land versteckte technologi jonathan - Feb 15 2023

web was ist falsch im maya land versteckte technologi is available in our book collection an online access to it is set as public so you can get it instantly our book servers hosts

was ist falsch im maya land versteckte technologi uniport edu - Jan 02 2022

web apr 17 2023 times for their favorite books behind this was ist falsch im maya land versteckte technologi but end

stirring in harmful downloads rather than enjoying a

was ist falsch im maya land versteckte technologi erich von - Oct 11 2022

web right here we have countless book was ist falsch im maya land versteckte technologi and collections to check out we additionally allow variant types and next type of the

was ist falsch im maya land versteckte technologien in - Jul 20 2023

web was ist falsch im maya land versteckte technologien in tempeln und skulpturen by erich von däniken april 23rd 2019 was ist falsch im maya land von erich von

was ist falsch im maya land versteckte technologien in - Mar 16 2023

web abebooks com was ist falsch im maya land versteckte technologien in tempeln und skulpturen 9783942016865 by däniken erich von and a great selection of similar new

[was ist falsch im maya land versteckte technologi pdf](#) - Jul 08 2022

web was ist falsch im maya land versteckte technologi 2 7 downloaded from uniport edu ng on september 3 2023 by guest offering visual proof of the ancient world s contact with

was ist falsch im maya land versteckte technologi pdf - Dec 01 2021

web sep 1 2023 was ist falsch im maya land versteckte technologi 2 9 downloaded from uniport edu ng on september 1 2023 by guest besucher aus der spiegelwelt gottfried

was ist falsch im maya land versteckte technologi 2023 - Jan 14 2023

web prachtig land waar feeën meerminden en eenhoorns wonen sluit je aan bij alexa en haar magische vrienden op hun missie om de gemene magie stelende prinses malucia te

was ist falsch im maya land versteckte technologien in - May 06 2022

web sonderaktionen gutscheine und vieles mehr abonniere den newsletter und sicher dir einmalig 10 rabatt auf deinen nächsten einkauf mit abonnieren des newsletters

was ist falsch im maya land versteckte technologien in - Oct 23 2023

web aug 1 2011 die anzahl der farbigen fotos ist beachtlich was auch erklärt weshalb ich das buch innerhalb nur eines tages ausgelesen habe sein flüssiger schreibstil tut ein Übriges allerdings und damit kommen wir zu den weniger positiven punkten ist es für

was ist falsch im maya land versteckte technologi - Jun 07 2022

web was ist falsch im maya land versteckte technologi 1 was ist falsch im maya land versteckte technologi wörter an den wänden emil o forrer und die anfänge der