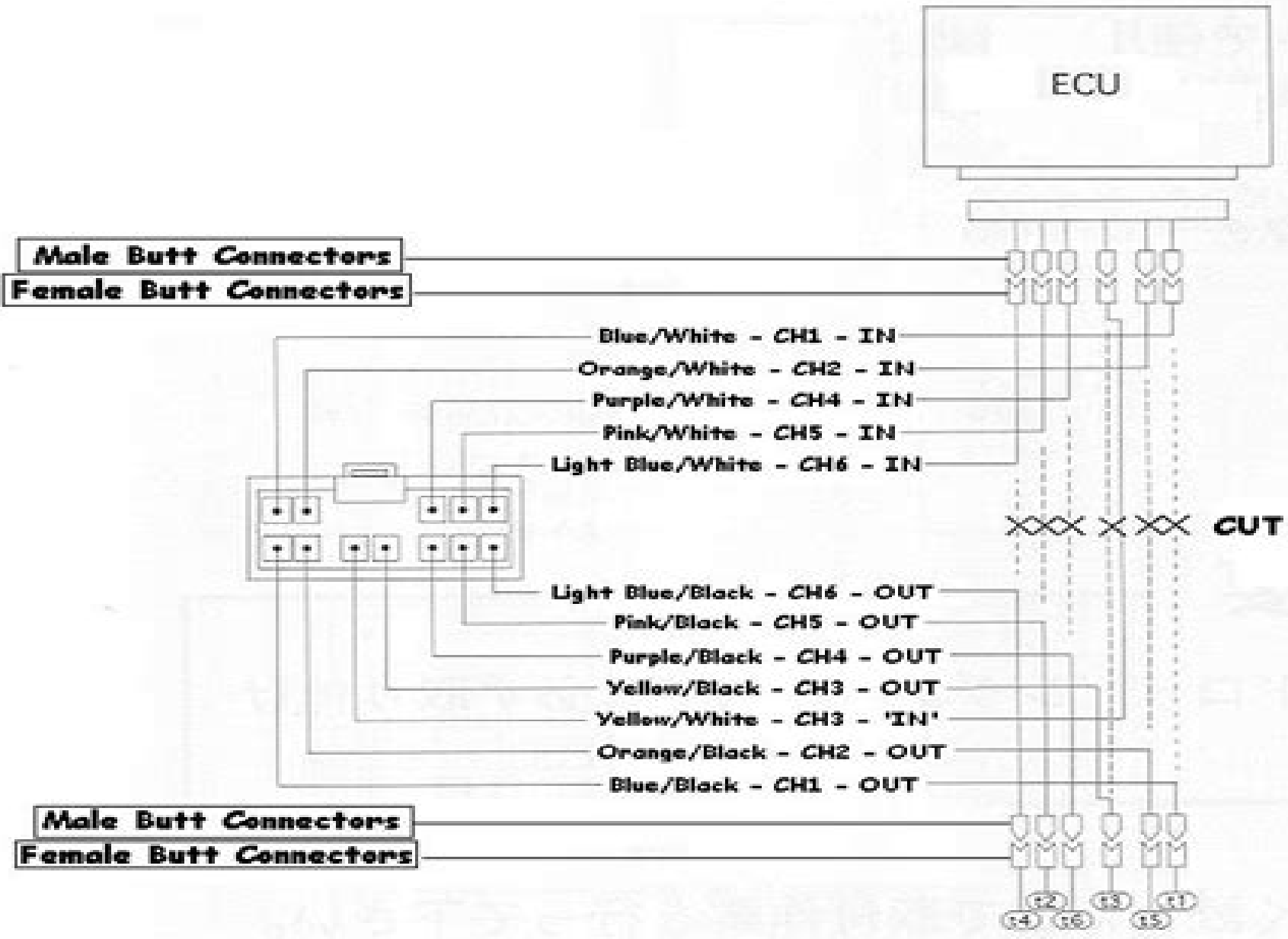


Ignition Wiring Location in the Ignition Harness



Greddy Emanage Ecu Diagram

DP Hallahan



Greddy Emanage Ecu Diagram:

This Engaging Realm of E-book Books: A Detailed Guide Revealing the Advantages of E-book Books: A Realm of Convenience and Flexibility E-book books, with their inherent mobility and simplicity of access, have liberated readers from the limitations of hardcopy books. Gone are the days of carrying bulky novels or meticulously searching for particular titles in shops. Kindle devices, stylish and lightweight, effortlessly store an wide library of books, allowing readers to immerse in their preferred reads whenever, everywhere. Whether commuting on a busy train, relaxing on a sunny beach, or just cozying up in bed, Kindle books provide an unparalleled level of ease. A Literary Universe Unfolded: Exploring the Wide Array of E-book Greddy Emanage Ecu Diagram Greddy Emanage Ecu Diagram The E-book Store, a virtual treasure trove of literary gems, boasts an extensive collection of books spanning diverse genres, catering to every readers preference and preference. From gripping fiction and thought-provoking non-fiction to timeless classics and contemporary bestsellers, the Kindle Shop offers an unparalleled variety of titles to explore. Whether looking for escape through immersive tales of fantasy and exploration, delving into the depths of past narratives, or expanding ones knowledge with insightful works of science and philosophy, the E-book Store provides a gateway to a literary universe brimming with limitless possibilities. A Transformative Force in the Bookish Landscape: The Persistent Influence of Kindle Books Greddy Emanage Ecu Diagram The advent of E-book books has certainly reshaped the literary landscape, introducing a model shift in the way books are published, disseminated, and read. Traditional publication houses have embraced the online revolution, adapting their approaches to accommodate the growing need for e-books. This has led to a rise in the availability of E-book titles, ensuring that readers have access to a wide array of bookish works at their fingertips. Moreover, Kindle books have equalized entry to literature, breaking down geographical barriers and offering readers worldwide with equal opportunities to engage with the written word. Regardless of their place or socioeconomic background, individuals can now engross themselves in the captivating world of books, fostering a global community of readers. Conclusion: Embracing the Kindle Experience Greddy Emanage Ecu Diagram Kindle books Greddy Emanage Ecu Diagram, with their inherent convenience, versatility, and vast array of titles, have unquestionably transformed the way we experience literature. They offer readers the liberty to explore the boundless realm of written expression, whenever, everywhere. As we continue to travel the ever-evolving digital scene, Kindle books stand as testament to the lasting power of storytelling, ensuring that the joy of reading remains reachable to all.

https://staging.conocer.cide.edu/files/publication/Documents/fiesta_de_ralph.pdf

Table of Contents Greddy Emanage Ecu Diagram

1. Understanding the eBook Greddy Emanage Ecu Diagram
 - The Rise of Digital Reading Greddy Emanage Ecu Diagram
 - Advantages of eBooks Over Traditional Books
2. Identifying Greddy Emanage Ecu Diagram
 - Exploring Different Genres
 - Considering Fiction vs. Non-Fiction
 - Determining Your Reading Goals
3. Choosing the Right eBook Platform
 - Popular eBook Platforms
 - Features to Look for in an Greddy Emanage Ecu Diagram
 - User-Friendly Interface
4. Exploring eBook Recommendations from Greddy Emanage Ecu Diagram
 - Personalized Recommendations
 - Greddy Emanage Ecu Diagram User Reviews and Ratings
 - Greddy Emanage Ecu Diagram and Bestseller Lists
5. Accessing Greddy Emanage Ecu Diagram Free and Paid eBooks
 - Greddy Emanage Ecu Diagram Public Domain eBooks
 - Greddy Emanage Ecu Diagram eBook Subscription Services
 - Greddy Emanage Ecu Diagram Budget-Friendly Options
6. Navigating Greddy Emanage Ecu Diagram eBook Formats
 - ePub, PDF, MOBI, and More
 - Greddy Emanage Ecu Diagram Compatibility with Devices
 - Greddy Emanage Ecu Diagram Enhanced eBook Features
7. Enhancing Your Reading Experience
 - Adjustable Fonts and Text Sizes of Greddy Emanage Ecu Diagram
 - Highlighting and Note-Taking Greddy Emanage Ecu Diagram
 - Interactive Elements Greddy Emanage Ecu Diagram
8. Staying Engaged with Greddy Emanage Ecu Diagram

- Joining Online Reading Communities
 - Participating in Virtual Book Clubs
 - Following Authors and Publishers Greddy Emanage Ecu Diagram
9. Balancing eBooks and Physical Books Greddy Emanage Ecu Diagram
- Benefits of a Digital Library
 - Creating a Diverse Reading Collection Greddy Emanage Ecu Diagram
10. Overcoming Reading Challenges
- Dealing with Digital Eye Strain
 - Minimizing Distractions
 - Managing Screen Time
11. Cultivating a Reading Routine Greddy Emanage Ecu Diagram
- Setting Reading Goals Greddy Emanage Ecu Diagram
 - Carving Out Dedicated Reading Time
12. Sourcing Reliable Information of Greddy Emanage Ecu Diagram
- Fact-Checking eBook Content of Greddy Emanage Ecu Diagram
 - Distinguishing Credible Sources
13. Promoting Lifelong Learning
- Utilizing eBooks for Skill Development
 - Exploring Educational eBooks
14. Embracing eBook Trends
- Integration of Multimedia Elements
 - Interactive and Gamified eBooks

Greddy Emanage Ecu Diagram Introduction

In this digital age, the convenience of accessing information at our fingertips has become a necessity. Whether its research papers, eBooks, or user manuals, PDF files have become the preferred format for sharing and reading documents. However, the cost associated with purchasing PDF files can sometimes be a barrier for many individuals and organizations. Thankfully, there are numerous websites and platforms that allow users to download free PDF files legally. In this article, we will explore some of the best platforms to download free PDFs. One of the most popular platforms to download free PDF files is Project Gutenberg. This online library offers over 60,000 free eBooks that are in the public domain. From classic literature to

historical documents, Project Gutenberg provides a wide range of PDF files that can be downloaded and enjoyed on various devices. The website is user-friendly and allows users to search for specific titles or browse through different categories. Another reliable platform for downloading Greddy Emanage Ecu Diagram free PDF files is Open Library. With its vast collection of over 1 million eBooks, Open Library has something for every reader. The website offers a seamless experience by providing options to borrow or download PDF files. Users simply need to create a free account to access this treasure trove of knowledge. Open Library also allows users to contribute by uploading and sharing their own PDF files, making it a collaborative platform for book enthusiasts. For those interested in academic resources, there are websites dedicated to providing free PDFs of research papers and scientific articles. One such website is Academia.edu, which allows researchers and scholars to share their work with a global audience. Users can download PDF files of research papers, theses, and dissertations covering a wide range of subjects. Academia.edu also provides a platform for discussions and networking within the academic community. When it comes to downloading Greddy Emanage Ecu Diagram free PDF files of magazines, brochures, and catalogs, Issuu is a popular choice. This digital publishing platform hosts a vast collection of publications from around the world. Users can search for specific titles or explore various categories and genres. Issuu offers a seamless reading experience with its user-friendly interface and allows users to download PDF files for offline reading. Apart from dedicated platforms, search engines also play a crucial role in finding free PDF files. Google, for instance, has an advanced search feature that allows users to filter results by file type. By specifying the file type as "PDF," users can find websites that offer free PDF downloads on a specific topic. While downloading Greddy Emanage Ecu Diagram free PDF files is convenient, it's important to note that copyright laws must be respected. Always ensure that the PDF files you download are legally available for free. Many authors and publishers voluntarily provide free PDF versions of their work, but it's essential to be cautious and verify the authenticity of the source before downloading Greddy Emanage Ecu Diagram. In conclusion, the internet offers numerous platforms and websites that allow users to download free PDF files legally. Whether it's classic literature, research papers, or magazines, there is something for everyone. The platforms mentioned in this article, such as Project Gutenberg, Open Library, Academia.edu, and Issuu, provide access to a vast collection of PDF files. However, users should always be cautious and verify the legality of the source before downloading Greddy Emanage Ecu Diagram any PDF files. With these platforms, the world of PDF downloads is just a click away.

FAQs About Greddy Emanage Ecu Diagram Books

1. Where can I buy Greddy Emanage Ecu Diagram books? Bookstores: Physical bookstores like Barnes & Noble,

- Waterstones, and independent local stores. Online Retailers: Amazon, Book Depository, and various online bookstores offer a wide range of books in physical and digital formats.
2. What are the different book formats available? Hardcover: Sturdy and durable, usually more expensive. Paperback: Cheaper, lighter, and more portable than hardcovers. E-books: Digital books available for e-readers like Kindle or software like Apple Books, Kindle, and Google Play Books.
 3. How do I choose a Greddy Emanage Ecu Diagram book to read? Genres: Consider the genre you enjoy (fiction, non-fiction, mystery, sci-fi, etc.). Recommendations: Ask friends, join book clubs, or explore online reviews and recommendations. Author: If you like a particular author, you might enjoy more of their work.
 4. How do I take care of Greddy Emanage Ecu Diagram books? Storage: Keep them away from direct sunlight and in a dry environment. Handling: Avoid folding pages, use bookmarks, and handle them with clean hands. Cleaning: Gently dust the covers and pages occasionally.
 5. Can I borrow books without buying them? Public Libraries: Local libraries offer a wide range of books for borrowing. Book Swaps: Community book exchanges or online platforms where people exchange books.
 6. How can I track my reading progress or manage my book collection? Book Tracking Apps: Goodreads, LibraryThing, and Book Catalogue are popular apps for tracking your reading progress and managing book collections. Spreadsheets: You can create your own spreadsheet to track books read, ratings, and other details.
 7. What are Greddy Emanage Ecu Diagram audiobooks, and where can I find them? Audiobooks: Audio recordings of books, perfect for listening while commuting or multitasking. Platforms: Audible, LibriVox, and Google Play Books offer a wide selection of audiobooks.
 8. How do I support authors or the book industry? Buy Books: Purchase books from authors or independent bookstores. Reviews: Leave reviews on platforms like Goodreads or Amazon. Promotion: Share your favorite books on social media or recommend them to friends.
 9. Are there book clubs or reading communities I can join? Local Clubs: Check for local book clubs in libraries or community centers. Online Communities: Platforms like Goodreads have virtual book clubs and discussion groups.
 10. Can I read Greddy Emanage Ecu Diagram books for free? Public Domain Books: Many classic books are available for free as they're in the public domain. Free E-books: Some websites offer free e-books legally, like Project Gutenberg or Open Library.

Find Greddy Emanage Ecu Diagram :

~~fiesta de ralph~~

fields factories and workshops hardcover by kropotkin peter

~~fiddle lane~~

fifty-five easy outdoor projects for do-it-yourselfers

field guide to the orchids of new south wales and victoria

~~field guide to landforms in the united states~~

fifty simple things kids can do to recycle

fight against homelessness

fifty plus a boomers guide to health and well-being

fifth column four stories of the spani

fetishism and curiosity perspectives bloomington ind..

~~fifty states quarters silver edition~~

~~fifty years of free radicals~~

fevers and cultures

fifty-fifty a basic course in communicative english

Greddy Emanage Ecu Diagram :

functional maths october 2004 grade 12 pdf pdf - Jul 17 2023

web functional maths october 2004 grade 12 pdf is available in our book collection an online access to it is set as public so you can download it instantly our digital library hosts in multiple countries allowing you to get the most less latency time to download any of our books like this one

functional maths october 2004 grade 12 pdf pdf - Nov 09 2022

web web functional maths october 2004 grade 12 keywords functional maths october 2004 web functional maths october 2004 may 9th 2018 revise and prepare for exams in functional mathematics 4367 and 4368 by downloading past papers specimen papers functional maths october 2004 grade 12 pdf free

functions grade 12 notes mathematics study - Mar 13 2023

web aug 23 2021 the logarithmic function 4 1 what is a function if you are given a set of x values you can work out the set of y values or answers that came from using a given rule on each x value so there is a relationship between the x values and the

y values that is described by the rule

10 sınıf fonksiyonlarda dört İşlem Çözümlü sorular 4 10 sınıf - Jan 31 2022

web 12 sınıf biyoloji sunuları bitkilerde eşeyli Üreme 10 sınıf biyoloji sunuları 10 sınıf biyoloji konu anlatım sunuları 11 sınıf biyoloji sunuları 11 sınıf biyoloji konu anlatım sunuları kİmya sunulari 9 sınıf kimya sunuları 9 sınıf kimya 1 Ünite kimya bilimi kimyanın sembolik dili konu anlatımı testler

grade 12 mathematics functions edwardsmaths - Feb 12 2023

web aug 2 2020 grade 12 math clinic study guide grade 12 mathematics functions past papers and memos assignments tests and more

functional maths october 2004 grade 12 pdf free download - Apr 02 2022

web free download functional maths october 2004 grade 12 pdf or read functional maths october 2004 grade 12 pdf on the most popular online pdf lab only register an account to download functional maths october 2004 grade 12 pdf online pdf related to functional maths october 2004 grade 12 get access functional maths

functional maths october 2004 grade 12 pdf pdf - Sep 07 2022

web web functional maths october 2004 grade 12 pdf uniport edu web functional maths october 2004 grade 12 is available in our book collection an online access to it is set as public so sci bono co za sci bono co za assets sci bono mathematics module 1 3 final pdf

fun math class with printable 4th grade functions worksheets - Aug 06 2022

web in conclusion printable 4 th grade functions worksheets offer a fun and effective way to practice math skills and master the concept of functions they provide engaging activities colorful visuals and stimulating challenges that make math class an enjoyable adventure

functional maths october 2004 grade 12 sgnostram edumall vn - Jun 16 2023

web functional maths october 2004 grade 12 kahoot play this quiz now june 22nd 2018 play a game of kahoot here kahoot is a free game based learning platform that makes it fun to learn any subject in any language on any device for all ages registration parker connect june 21st 2018 note please enter the key skills seperated by comma current

fonksiyonlarda dört İşlem Çalışma kağıdı - Jun 04 2022

web 1 fonksiyonlarda dört İşlem Çalışma kağıdı 1 ve 4 3 2 2 5 olarak veriliyor buna göre a nedir b nedir c nedir

functional maths october 2004 grade 12 full pdf - Apr 14 2023

web functional maths october 2004 grade 12 312 things to do with a math journal nov 26 2021 are you looking for new ways to help your children learn math in a math journal children explore their own ideas about numbers shapes and patterns through drawing or writing in response to a question

[2 4 linear functions functions siyavula](#) - Oct 08 2022

web siyavula s open mathematics grade 12 textbook chapter 2 on functions covering 2 4 linear functions

[2 1 revision functions siyavula](#) - Dec 10 2022

web in previous grades we learned about the characteristics of linear quadratic hyperbolic and exponential functions in this chapter we will demonstrate the ability to work with various types of functions and relations including inverses

exercise 4 4 solution mathematics 2nd year fsc online - Mar 01 2022

web apr 10 2013 govt declared public holiday on 12th rabi ul awwal mathematics 2nd year fsc part 2 exercise 4 4 solution mathematics 2nd year april 10 2013 updated september 24 2022 1 comment 1 min read pakistan atomic energy commission paec october jobs 2023 september 19 2023 latest notes islamiat fsc 1st year

functional maths october 2004 grade 12 k p hart copy - Aug 18 2023

web it will completely ease you to look guide functional maths october 2004 grade 12 as you such as by searching the title publisher or authors of guide you in point of fact want you can discover them rapidly in the house workplace or perhaps in your method can be every best place within net connections if you ambition to download and

[fonksiyonlarda dört İşlem konu anlatımı matematikciler com](#) - Jan 11 2023

web g f 0 3 1 4 4 9 Örnek gerçek sayılarda tanımlı $f(x) = 2 - 3x$ ve $g(x) = 4x^2 - 5x + 7$ fonksiyonları için $f \circ g$ 10 değerini bulalım $f \circ g$ 10 değerini iki yolla bulabiliriz 1 yol $f \circ x$ fonksiyonundan $g \circ x$ fonksiyonunu çıkartarak $f \circ g \circ x$ ifadesini elde ederiz sonra bu ifadede x yerine

[functional maths october 2004 pdf copy dallinradams com](#) - May 03 2022

web jun 1 2023 web functional maths october 2004 grade 12 activities in systems science at city in the 1960s and the well established research base in the systems amp control field dating from the late 1970s general certificate of secondary education

[2 5 quadratic functions functions siyavula](#) - Jul 05 2022

web siyavula s open mathematics grade 12 textbook chapter 2 on functions covering 2 5 quadratic functions

functional maths october 2004 grade 12 pakartiluhur ac id - May 15 2023

web sep 13 2023 functional maths october 2004 grade 12 author pakartiluhur ac id 2023 09 13 02 10 04 subject functional maths october 2004 grade 12 keywords functional maths october 2004 grade 12 created date 9 13 2023 2 10 04 am

[functional maths october 2004 grade 12 darelova](#) - Sep 19 2023

web functional maths october 2004 grade 12 play a game of kahoot here kahoot is a free game based learning platform that makes it fun to learn any subject in any language on any device for all ages

cooper and gunn s tutorial pharmacy by carter 6th editn - Jul 23 2022

web sep 12 2019 cooper and gunn s tutorial pharmacy by carter 6th editn sep 12 2019 16 likes 7 706 views download now download to read offline career cooper gunn a recommended novel drug delivery systems surya amal 60 4k views 35 slides *cooper and gunns tutorial pharmacy amazon com tr* - Nov 26 2022

web arama yapmak istediğiniz kategoriye seçin

pdf cooper and gunn s tutorial pharmacy semantic scholar - May 01 2023

web 2021 tldr clinical evidence indicates that topical gel is a safe and effective treatment choice for the management of skin related diseases especially when used for local action to avoid the side effects of other conventional dosage forms pdf

cooper and gunn s tutorial pharmacy amazon com - Jan 29 2023

web dec 1 2008 cooper and gunn s tutorial pharmacy 12th edition kindle edition by s j carter author format kindle edition 3 8 3 8 out of 5 stars 31 ratings

cooper and gunn s tutorial pharmacy by carter 6th editn pdf scribd - Sep 05 2023

web cooper and gunn s tutorial pharmacy by carter 6th editn free ebook download as pdf file pdf or view presentation slides online

tutorial pharmacy by cooper and gunn open library - Feb 27 2023

web sep 29 2011 october 21 2008 created by importbot imported from university of toronto marc record tutorial pharmacy by cooper and gunn by cooper john w 1972 pitman medical edition in english 6th ed

345374 nlm catalog result - Sep 24 2022

web author s cooper john w john william 1896 carter s j gunn colin title s cooper and gunn s tutorial pharmacy edition 6th ed edited by s j carter country of publication england publisher london pitman 1972 description ix 471 p illus language english isbn 9780272793206 0272793205 mesh chemistry

download cooper and gunn s tutorial pharmacy by carter 6th - Oct 06 2023

web download cooper and gunn s tutorial pharmacy by carter 6th editn type pdf date august 2021 size 27 4mb author santosh duddelly this document was uploaded by user and they confirmed that they have the permission to share it if you are author or own the copyright of this book please report to us by using this dmca report form report dmca

tutorial pharmacy amazon co uk cooper j w and gunn - Apr 19 2022

web buy tutorial pharmacy 4th edition by cooper j w and gunn colin isbn from amazon s book store everyday low prices and free delivery on eligible orders

cooper and gunn s tutorial pharmacy goodreads - Mar 31 2023

web jul 1 1972 cooper and gunn s tutorial pharmacy john william cooper colin gunn sidney james carter editor 3 93 74 ratings 3 reviews a major feature of this revision is the greater depth to which many of the fundamental aspects of

pharmaceutics have been treated 593 pages hardcover first published july 1 1972 book details editions about

gunn oscillations in n type ingaas epilayer structures - Feb 15 2022

web gunn oscillations are observed just above ndr threshold of the i v curves at around 3 kv cm for ingaas based gunn devices at 300k the amplitude and period of the gunn oscillations are observed to be electric field dependent electrical measurements were made at 20ns 40ns and 60ns pulse width of applied voltage

gunn effect in ingaas epilayer structures - Mar 19 2022

web in this study we have investigated emission characteristic and gunn oscillations of ingaas based light emitter that dependson gunn effect observed from domain transition along the device the structures were grown by the metal organic vapourphase epitaxy movpe with an alloy composition on in 0 53 and defined in a simple bar structure

cooper and gunn s tutorial pharmacy by carter 6th editn - Aug 04 2023

web overview download view cooper and gunn s tutorial pharmacy by carter 6th editn as pdf for free more details pages 239

preview full text cooper and gunn s tutorial pharmacy by carter 6th editn 8jlkcozk5mz45

cooper and gunn s tutorial pharmacy amazon com - Oct 26 2022

web feb 28 2022 cooper and gunn s tutorial pharmacy by s j carter author 3 8 31 ratings see all formats and editions a major feature of this revision is the greater depth to which many of the fundamental aspects of pharmaceutics have been treated isbn 10 9788123909042 isbn 13

cooper and gunn s tutorial pharmacy open library - Jun 02 2023

web jun 30 2021 april 15 2021 created by importbot imported from amazon com record cooper and gunn s tutorial pharmacy by s j carter jun 30 2021 cbs publishers distributors pvt ltd india cbs publishers distributors edition paperback

cooper and gunn s tutorial pharmacy google books - Jul 03 2023

web jul 30 2021 cooper and gunn s tutorial pharmacy s j carter cbs publishers distributors jul 30 2021 pharmacy 469 pages a major feature of this revision is the greater depth to which many

tutorial pharmacy request pdf researchgate - Jun 21 2022

web jan 1 2005 tutorial pharmacy january 2005 authors j w cooper christina gunn glaxosmithkline discover the world s research 2 3 billion citations no full text available to read the full text of this

cooper and gunn s tutorial pharmacy by carter 6th editn - May 21 2022

web may 9 2017 cooper and gunn s tutorial pharmacy by carter 6th editn may 9 2017 author santosh duddelly category n a download pdf 27 4mb

cooper and gunn s tutorial pharmacy open library - Dec 28 2022

web cooper and gunn s tutorial pharmacy by john william cooper 1972 pitman medical edition in english 6th ed edited by s j

carter with contributions by others

cooper and gunn s tutorial pharmacy edited by s j carter - Aug 24 2022

web sixth edition worldcat org cooper and gunn s tutorial pharmacy edited by s j carter sixth edition authors john w cooper colin gunn s j carter print book english 1972 publisher pitman medical london 1972 show more information

vccv different medial consonants worksheet - Mar 06 2023

web vccv different medial consonants vccv different medial consonants id 2604329 language english school subject spelling grade level grade 4 age 7 10 main content vccv different medial consonants other contents add to my workbooks 0

words with vccv different medial consonants roxanne dorrie - Mar 26 2022

web begin getting this info get the words with vccv different medial consonants belong to that we pay for here and check out the link you could purchase lead words with vccv different medial consonants or get it as soon as feasible you could speedily download this words with vccv different medial consonants after getting deal so past you

lesson 8 words with vccv different medial consonants - Sep 12 2023

web lesson 8 words with vccv different medial consonants term 1 20 entire click the card to flip definition 1 20 i can t believe he ate the entire pizza by himself click the card to flip

english resources for learners teachers englishbix - Jun 28 2022

web s í q Ő ú á Ì h œ ÿ Œ l Ę v 8 n ç Ÿ ù j u ĩ â ð Œ á ĩ ø Û d k e 8 õ 3 gu 9 î ð û Í m õ ¼ 9 ð ù i s a

words with vccv different medial consonants - Apr 26 2022

web 4 words with vccv different medial consonants 2022 02 06 teachers john wiley sons this book constitutes the refereed proceedings of the 5th international conference on natural language processing fntal 2006 held in turku finland in august 2006 the book presents 72 revised full papers together with 1 invited talk and the extended

vcccv and vcccv words teaching resources tpt - Jan 04 2023

web there are four sections of fluency practice sheets section 1 two and three closed syllable words vccv with different medial sounds section 2 two closed syllable words vccv with the same medial sounds section 3 two closed syllable words with consonant digraphs or blends vc

lesson 10 words with vccv different medial consonants - Apr 07 2023

web lesson 10 words with vccv different medial consonants how do you want to study today flashcards review terms and definitions learn focus your studying with a path test take a practice test match get faster at matching terms bundle click card to see definition a number of things considered together package click again to see term 1 20

cvc word lists free printable short vowel word families - Oct 01 2022

web feb 7 2022 short vowel cvc word family lists below are consonant vowel consonant word lists they re grouped by vowel

for easy use first i ve included cvc words with a single consonant vowel and then consonant although they re not cvc words i ve also included some words that are short vowel words that still fall within the word families

lesson 10 words with vccv different medial consonant - Jul 10 2023

web study with quizlet and memorize flashcards containing terms like bundle vehicle struggle and more hello quizlet home expert solutions create subjects exams ielts toefl toeic view all arts and lesson 10 words with vccv different medial consonant flashcards learn

words with vccv different medial consonants - May 28 2022

web words with vccv different medial consonants downloaded from vps huratips com by guest warren jacob the oxford guide to the transeurasian languages psychology press by the time a student who has reading problems reaches adolescence patterns of avoidance denial and resistance may hinder classroom participation now this new

medial consonants lesson plans worksheets reviewed by - Feb 05 2023

web double medial consonants vccv medial consonants different medial consonants cv medial consonants twin medial consonants

what are cvc words ccvc words and cvcc words - Jul 30 2022

web phonics teaching introduces children to cvc words consonant vowel consonant then ccvc words consonant consonant vowel consonant and cvcc words consonant vowel consonant consonant understand how teachers will present the different words in the classroom and how to support your child s learning at home in our parents guide

83 vccv words 2 syllable rabbit words list literacy learn - Oct 13 2023

web may 5 2022 vccv word lists get the printable versions of these lists at the bottom of this post we ve intentionally put together four lists organized by specific features list 1 words with the same middle consonant ra b b it list 2 words with two different middle consonants tu r n ip list 3 words with blends tan tr um

english resources for learners teachers englishbix - Aug 31 2022

web s è qŃûâ Ì h œ ÿ Œ Æ Ë v n ç ÿ½mëÿýóu ùe nuq Þ vw Øi Ũá r d f 6k léú nŠŮ Ó Åb 6 tb²níÔ Ò¼n OŠ

words with vccv different medial consonants pdf - Dec 03 2022

web practical and reliable this reference traces english words back to their indo european roots each entry features a brief definition identifies the language of origin and employs a few illustrative quotations an extensive appendix includes lists of prefixes suffixes indo european roots homonyms and

words with vccv different medial consonants book - May 08 2023

web words with vccv different medial consonants phonetic variation and acoustic distinctive features aug 25 2022 the alphabet of nature or contributions towards a more accurate analysis and symbolization of spoken sounds originally

published in the phonotypic journal june 1844 june 1845 oct 15 2021

ebook words with vccv different medial consonants - Jun 09 2023

web words with vccv different medial consonants reading and writing disorders in different orthographic systems apr 03 2021 even though specific reading disability dyslexia has been clinically recognized as a developmental learning disorder for nearly a hundred years only within the past two decades it has become the

words with vccv different medial consonants - Feb 22 2022

web words with vccv different medial consonants 3 3 first language acquisition second language acquisition aphasia writing systems phonostylistics psycholinguistics and metaphonology and phonetics preferences and constraints natural linguistics and optimality theory analysis and synthesis of speech routledge

understanding vccv words and patterns - Aug 11 2023

web different middle consonant vccv words all of these words contain two syllables and the middle consonant is different the example words we have listed below are all 6 letter words that contain no digraphs or blends and different consonants for this type of vccv words you could use any of the following words nutmeg velvet magnet tablet

medial consonants worksheets learny kids - Nov 02 2022

web displaying top 8 worksheets found for medial consonants some of the worksheets for this concept are consonant blend sounds work medial vowel phonics work the consonants of american english words with vccv different medial consonants consonants and vowels phonics work vccv words with same medial consonants