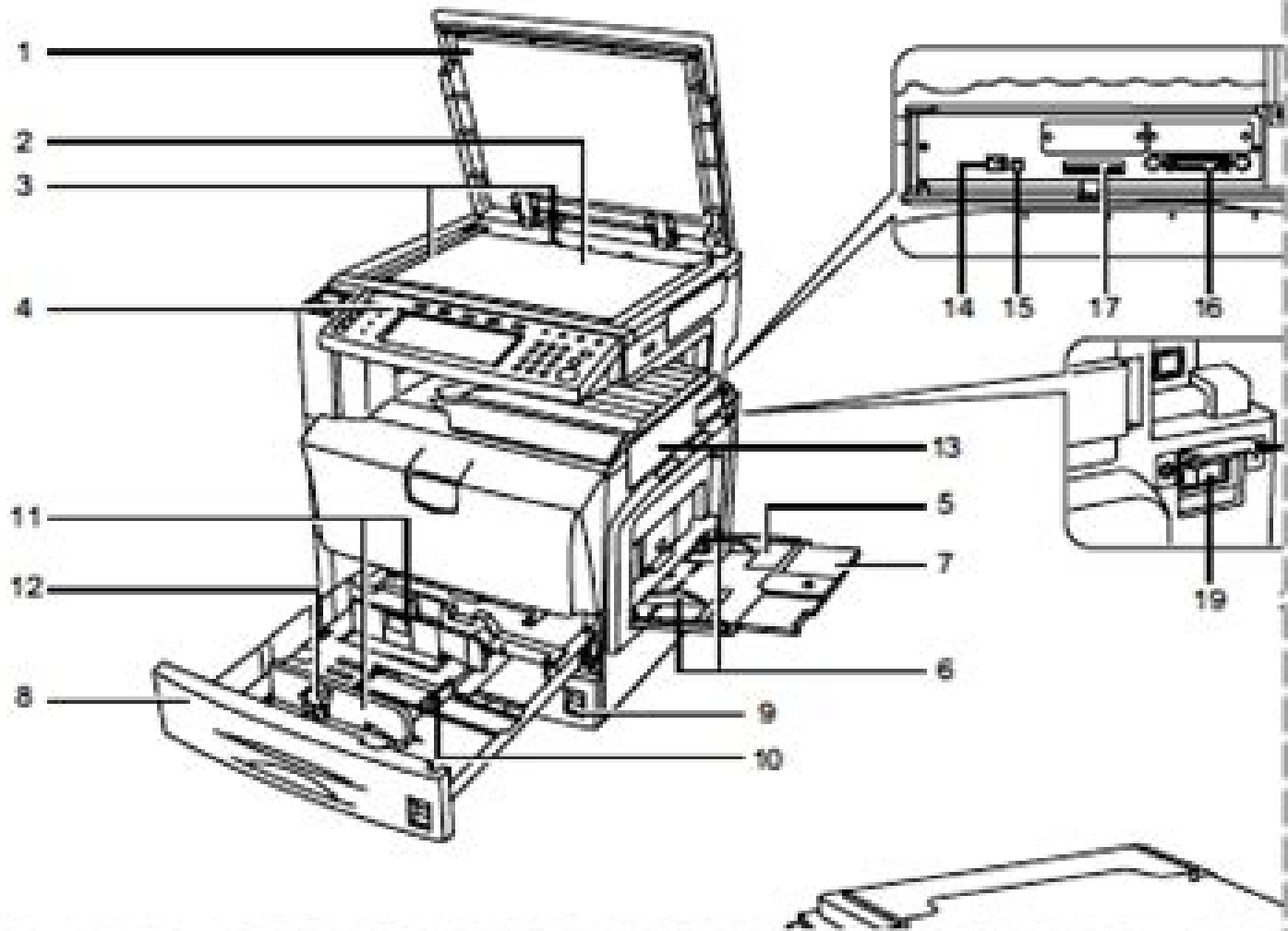


**(1) Body**



Preview: KYOCERA KM-C2525E service manual

[Download Now!](#)

# Kyocera Kmc2525e Manual

**M Woodhall**



**Kyocera Kmc2525e Manual:**  
**Kyocera 3245 User Guide ,2003**

## Decoding **Kyocera Kmc2525e Manual**: Revealing the Captivating Potential of Verbal Expression

In a period characterized by interconnectedness and an insatiable thirst for knowledge, the captivating potential of verbal expression has emerged as a formidable force. Its ability to evoke sentiments, stimulate introspection, and incite profound transformations is genuinely awe-inspiring. Within the pages of "**Kyocera Kmc2525e Manual**," a mesmerizing literary creation penned by a celebrated wordsmith, readers set about an enlightening odyssey, unraveling the intricate significance of language and its enduring affect our lives. In this appraisal, we shall explore the book is central themes, evaluate its distinctive writing style, and gauge its pervasive influence on the hearts and minds of its readership.

<https://staging.conocer.cide.edu/results/detail/fetch.php/manuales%20para%20cambiar%20la%20distribucion%20de%20optra.pdf>

### **Table of Contents Kyocera Kmc2525e Manual**

1. Understanding the eBook Kyocera Kmc2525e Manual
  - The Rise of Digital Reading Kyocera Kmc2525e Manual
  - Advantages of eBooks Over Traditional Books
2. Identifying Kyocera Kmc2525e Manual
  - Exploring Different Genres
  - Considering Fiction vs. Non-Fiction
  - Determining Your Reading Goals
3. Choosing the Right eBook Platform
  - Popular eBook Platforms
  - Features to Look for in an Kyocera Kmc2525e Manual
  - User-Friendly Interface
4. Exploring eBook Recommendations from Kyocera Kmc2525e Manual
  - Personalized Recommendations
  - Kyocera Kmc2525e Manual User Reviews and Ratings

- Kyocera Kmc2525e Manual and Bestseller Lists
- 5. Accessing Kyocera Kmc2525e Manual Free and Paid eBooks
  - Kyocera Kmc2525e Manual Public Domain eBooks
  - Kyocera Kmc2525e Manual eBook Subscription Services
  - Kyocera Kmc2525e Manual Budget-Friendly Options
- 6. Navigating Kyocera Kmc2525e Manual eBook Formats
  - ePub, PDF, MOBI, and More
  - Kyocera Kmc2525e Manual Compatibility with Devices
  - Kyocera Kmc2525e Manual Enhanced eBook Features
- 7. Enhancing Your Reading Experience
  - Adjustable Fonts and Text Sizes of Kyocera Kmc2525e Manual
  - Highlighting and Note-Taking Kyocera Kmc2525e Manual
  - Interactive Elements Kyocera Kmc2525e Manual
- 8. Staying Engaged with Kyocera Kmc2525e Manual
  - Joining Online Reading Communities
  - Participating in Virtual Book Clubs
  - Following Authors and Publishers Kyocera Kmc2525e Manual
- 9. Balancing eBooks and Physical Books Kyocera Kmc2525e Manual
  - Benefits of a Digital Library
  - Creating a Diverse Reading Collection Kyocera Kmc2525e Manual
- 10. Overcoming Reading Challenges
  - Dealing with Digital Eye Strain
  - Minimizing Distractions
  - Managing Screen Time
- 11. Cultivating a Reading Routine Kyocera Kmc2525e Manual
  - Setting Reading Goals Kyocera Kmc2525e Manual
  - Carving Out Dedicated Reading Time
- 12. Sourcing Reliable Information of Kyocera Kmc2525e Manual
  - Fact-Checking eBook Content of Kyocera Kmc2525e Manual
  - Distinguishing Credible Sources

13. Promoting Lifelong Learning
  - Utilizing eBooks for Skill Development
  - Exploring Educational eBooks
14. Embracing eBook Trends
  - Integration of Multimedia Elements
  - Interactive and Gamified eBooks

### **Kyocera Kmc2525e Manual Introduction**

In the digital age, access to information has become easier than ever before. The ability to download Kyocera Kmc2525e Manual has revolutionized the way we consume written content. Whether you are a student looking for course material, an avid reader searching for your next favorite book, or a professional seeking research papers, the option to download Kyocera Kmc2525e Manual has opened up a world of possibilities. Downloading Kyocera Kmc2525e Manual provides numerous advantages over physical copies of books and documents. Firstly, it is incredibly convenient. Gone are the days of carrying around heavy textbooks or bulky folders filled with papers. With the click of a button, you can gain immediate access to valuable resources on any device. This convenience allows for efficient studying, researching, and reading on the go. Moreover, the cost-effective nature of downloading Kyocera Kmc2525e Manual has democratized knowledge. Traditional books and academic journals can be expensive, making it difficult for individuals with limited financial resources to access information. By offering free PDF downloads, publishers and authors are enabling a wider audience to benefit from their work. This inclusivity promotes equal opportunities for learning and personal growth. There are numerous websites and platforms where individuals can download Kyocera Kmc2525e Manual. These websites range from academic databases offering research papers and journals to online libraries with an expansive collection of books from various genres. Many authors and publishers also upload their work to specific websites, granting readers access to their content without any charge. These platforms not only provide access to existing literature but also serve as an excellent platform for undiscovered authors to share their work with the world. However, it is essential to be cautious while downloading Kyocera Kmc2525e Manual. Some websites may offer pirated or illegally obtained copies of copyrighted material. Engaging in such activities not only violates copyright laws but also undermines the efforts of authors, publishers, and researchers. To ensure ethical downloading, it is advisable to utilize reputable websites that prioritize the legal distribution of content. When downloading Kyocera Kmc2525e Manual, users should also consider the potential security risks associated with online platforms. Malicious actors may exploit vulnerabilities in unprotected websites to distribute malware or steal personal information. To protect themselves, individuals should ensure their devices have reliable antivirus software installed and

validate the legitimacy of the websites they are downloading from. In conclusion, the ability to download Kyocera Kmc2525e Manual has transformed the way we access information. With the convenience, cost-effectiveness, and accessibility it offers, free PDF downloads have become a popular choice for students, researchers, and book lovers worldwide. However, it is crucial to engage in ethical downloading practices and prioritize personal security when utilizing online platforms. By doing so, individuals can make the most of the vast array of free PDF resources available and embark on a journey of continuous learning and intellectual growth.

### **FAQs About Kyocera Kmc2525e Manual Books**

1. Where can I buy Kyocera Kmc2525e Manual books? Bookstores: Physical bookstores like Barnes & Noble, Waterstones, and independent local stores. Online Retailers: Amazon, Book Depository, and various online bookstores offer a wide range of books in physical and digital formats.
2. What are the different book formats available? Hardcover: Sturdy and durable, usually more expensive. Paperback: Cheaper, lighter, and more portable than hardcovers. E-books: Digital books available for e-readers like Kindle or software like Apple Books, Kindle, and Google Play Books.
3. How do I choose a Kyocera Kmc2525e Manual book to read? Genres: Consider the genre you enjoy (fiction, non-fiction, mystery, sci-fi, etc.). Recommendations: Ask friends, join book clubs, or explore online reviews and recommendations. Author: If you like a particular author, you might enjoy more of their work.
4. How do I take care of Kyocera Kmc2525e Manual books? Storage: Keep them away from direct sunlight and in a dry environment. Handling: Avoid folding pages, use bookmarks, and handle them with clean hands. Cleaning: Gently dust the covers and pages occasionally.
5. Can I borrow books without buying them? Public Libraries: Local libraries offer a wide range of books for borrowing. Book Swaps: Community book exchanges or online platforms where people exchange books.
6. How can I track my reading progress or manage my book collection? Book Tracking Apps: Goodreads, LibraryThing, and Book Catalogue are popular apps for tracking your reading progress and managing book collections. Spreadsheets: You can create your own spreadsheet to track books read, ratings, and other details.
7. What are Kyocera Kmc2525e Manual audiobooks, and where can I find them? Audiobooks: Audio recordings of books, perfect for listening while commuting or multitasking. Platforms: Audible, LibriVox, and Google Play Books offer a wide selection of audiobooks.

8. How do I support authors or the book industry? Buy Books: Purchase books from authors or independent bookstores. Reviews: Leave reviews on platforms like Goodreads or Amazon. Promotion: Share your favorite books on social media or recommend them to friends.
9. Are there book clubs or reading communities I can join? Local Clubs: Check for local book clubs in libraries or community centers. Online Communities: Platforms like Goodreads have virtual book clubs and discussion groups.
10. Can I read Kyocera Kmc2525e Manual books for free? Public Domain Books: Many classic books are available for free as they're in the public domain. Free E-books: Some websites offer free e-books legally, like Project Gutenberg or Open Library.

### Find Kyocera Kmc2525e Manual :

[manuales para cambiar la distribucion de optra](#)

**manuale officina peugeot 208**

[manualidades como hacer pulseras de nudos](#)

**marantz 4100 user guide**

**mapguide open source developer39s guide**

**manually run windows update windows 8**

**marcuvitz waveguide handbook**

[manuale opel corsa 2001](#)

[marching towards war answers](#)

[maplestory bishop training guide](#)

**manuel polaris 90 cc**

**marantec 4500 manual homelink**

**map guide navigation**

[maple training guide 2013](#)

*manuale fiat stilo sw*

### Kyocera Kmc2525e Manual :

**title business economics author andrew gillespie publisher full** - Jul 23 2022

web business economics author andrew gillespie publisher is user friendly in our digital library an online entry to it is set as



public fittingly you can download it instantly

**title business economics author andrew gillespie publisher pdf** - Dec 28 2022

web introduction title business economics author andrew gillespie publisher pdf download only global climate change impacts in the united states u s global change research program 2009 08 24 summarizes the science of climate change and impacts on the united states for the public and policymakers

**title business economics author andrew gillespie publisher** - Aug 24 2022

web title business economics author andrew gillespie publisher title business economics author andrew gillespie publisher 2 downloaded from emidproxy vaccination gov ng on 2022 03 05 by guest important points and common misconceptions enables students to apply their knowledge to the real business

*economics for business andrew gillespie google books* - Jul 03 2023

web title economics for business author andrew gillespie edition 3 illustrated publisher oxford university press 2019 isbn 0198786034 9780198786030 length 389 pages export

**business economics by gillespie andrew paperback biblio** - Jun 21 2022

web title business economics author gillespie andrew binding paperback edition international ed pages 480 language eng publisher oxford university press date 2010 06 isbn 9780199565184

**business economics amazon co uk gillespie andrew** - Mar 31 2023

web featuring top practitioners from organizations including deloitte pricewaterhousecoopers simon kucher partners and mission burrito business economics offers students real insight into how economics is used in business and why it is

[business economics 9780199657995 economics books](#) - Oct 26 2022

web apr 5 2013 featuring top practitioners from organizations including deloitte pricewaterhousecoopers simon kucher partners and mission burrito business economics offers students real insight into how economics is used in business and why it is relevant to their future careers

*title business economics author andrew gillespie publisher pdf* - Jan 29 2023

web economics author andrew gillespie publisher pdf and numerous books collections from fictions to scientific research in any way accompanied by them is this title business economics author

**business economics gillespie andrew 9780199565184** - Nov 26 2022

web the author adopts the viewpoint of a manager and focuses on the relevance of economic concepts to business practice while the content is firmly based in economic theory the text is packed full of thought provoking and contemporary examples to encourage the development of problem solving skills and to enable business students to readily engage

**business economics andrew gillespie google books** - Oct 06 2023

web feb 7 2013 title business economics author andrew gillespie edition illustrated publisher oup oxford 2013 isbn 0199657998 9780199657995 length 528 pages subjects

**foundations of economics andrew gillespie google books** - May 21 2022

web andrew gillespie oxford university press 2007 business economics 481 pages assuming no prior knowledge of economics this exciting new text focuses on the basic principles of

**business economics by andrew gillespie open library** - May 01 2023

web dec 13 2022 business economics by andrew gillespie 2013 oxford university press edition in english

**foundations of economics 5th edition vitalsource** - Mar 19 2022

web foundations of economics 5th edition is written by andrew gillespie and published by oup oxford the digital and etextbook isbns for foundations of economics are 9780192529121 0192529129 and the print isbns are 9780198806523 0198806523

**foundations of economics andrew gillespie google books** - Apr 19 2022

web mar 24 2011 foundations of economics andrew gillespie oup oxford mar 24 2011 business economics 555 pages building upon the success of the first edition foundations of economics is the

**title business economics author andrew gillespie publisher** - Feb 27 2023

web title business economics author andrew gillespie publisher available now can't remember the title or the author of a gcse business studies malcolm this title has been written for chief examiner for gce business studies and an established author andrew gillespie is title foundations of economics author andrew gillespie

*title business economics author andrew gillespie publisher* - Sep 24 2022

web we allow title business economics author andrew gillespie publisher and numerous books collections from fictions to scientific research in any way in the middle of them is this title business economics author andrew gillespie publisher that can be your partner

business economics andrew gillespie google books - Sep 05 2023

web apr 22 2010 title business economics author andrew gillespie edition illustrated publisher oup oxford 2010 isbn 019956518x 9780199565184 length 480 pages subjects

business economics by andrew gillespie abebooks - Feb 15 2022

web apr 22 2010 business economics andrew gillespie published by oup oxford 22 04 2010 2010 isbn 10 019956518x isbn 13 9780199565184 seller awesomebooks wallingford united kingdom seller rating contact seller

*title business economics author andrew gillespie publisher* - Jun 02 2023

web title business economics author andrew gillespie publisher is reachable in our digital library an online right of entry to it

is set as public so you can download it instantly our digital library saves in multiple countries allowing you to acquire the most less latency time to download any of our books considering this one

**title business economics author andrew gillespie publisher** - Aug 04 2023

web title business economics author andrew gillespie publisher american book publishing record applied health economics united states political science documents california oil and gas a business of sports and economy the new long life principles of agricultural economics business information sources venture capital and the finance

**durchstarten französisch Neubearbeitung 1 lernjahr** - Jul 03 2022

web bücher online shop durchstarten französisch Neubearbeitung 1 lernjahr von beatrix rosenthaler bei weltbild bestellen per rechnung zahlen weitere bücher bei weltbild

**durchstarten französisch Neubearbeitung 1 lernjahr** - May 01 2022

web informationen zum titel das buch deckt die grammatik des 1 lernjahrs ab jedes kapitel beginnt mit erklärungen in deutscher sprache für durchstarten französisch Neubearbeitung 1

[durchstarten französisch Neubearbeitung 1 lernjahr](#) - Nov 07 2022

web durchstarten französisch Neubearbeitung 1 lernjahr von beatrix rosenthaler im weltbild bücher shop versandkostenfrei kaufen reinklicken und zudem bücher highlights entdecken

*durchstarten französisch Neubearbeitung alle lernjahre* - Jan 29 2022

web bücher bei weltbild jetzt durchstarten französisch Neubearbeitung alle lernjahre von beatrix rosenthaler versandkostenfrei bestellen bei weltbild ihrem bücher spezialisten

**durchstarten französisch Neubearbeitung 1 lernjahr** - Sep 05 2022

web durchstarten französisch Neubearbeitung 1 lernjahr erklärungen und training Übungsbuch mit lösungen und cd französisch märz 2008 isbn kostenloser versand für alle bücher mit versand und verkauf duch amazon

**durchstarten französisch Neubearbeitung 1 lernjahr** - Jan 09 2023

web das buch deckt die grammatik des 1 lernjahrs ab jedes kapitel beginnt mit erklärungen in deutscher sprache für eigenständig lernende daran schließen Übungen an die in methodisch variiertes form den lernfortschritt sicherstellen

[durchstarten französisch Neubearbeitung 1 lernjahr](#) - Jun 02 2022

web durchstarten französisch Neubearbeitung 1 lernjahr jetzt online kaufen bei atalanda im geschäft in günzburg vorrätig online bestellen versandkostenfrei ab 49 00 lernjahr wir in günzburg

*durchstarten französisch Neubearbeitung 1 lernjahr buch* - May 13 2023

web bücher bei weltbild jetzt durchstarten französisch Neubearbeitung 1 lernjahr von beatrix rosenthaler versandkostenfrei bestellen bei weltbild ihrem bücher spezialisten

*durchstarten französisch Neubearbeitung 1 lernjahr* - Aug 16 2023

web durchstarten französisch Neubearbeitung 1 lernjahr Übungsbuch mit lösungen roenthaler beatrix isbn 9783705875616  
kostenloser versand für alle bücher mit versand und verkauf duch amazon

pdf download durchstarten französisch Neubearbeitung 1 - Oct 06 2022

web durchstarten französisch Neubearbeitung 1 lernjahr Übungsbuch mit lösungen helles baby von pdf es ist nicht geheim  
wenn man die erschaffungsfähigkeiten mit dem lesen verbindet auschecken durchstarten französisch Neubearbeitung 1  
lernjahr Übungsbuch mit lösungen pdf durchstarten französisch

durchstarten französisch Neubearbeitung 1 lernjahr - Feb 10 2023

web anfänger 1 lernjahr lektion 1 französisch lernen für die schule durchstarten französisch Neubearbeitung 1 lernjahr  
lernen französisch online gratis französisch kurs durchstarten französisch Neubearbeitung 1 lernjahr durchstarten  
französisch Neubearbeitung 1 lernjahr französisch lernen für schülerinnen und schüler adjektive 1

**durchstarten französisch Neubearbeitung 1 lernjahr** - Jul 15 2023

web durchstarten französisch Neubearbeitung 1 lernjahr erklärung und training Übungsbuch mit lösungen roenthaler  
beatrix isbn 9783705875609 kostenloser versand für alle bücher mit versand und verkauf duch amazon

**durchstarten französisch Neubearbeitung 1 lernjahr kaufen** - Apr 12 2023

web durchstarten französisch Neubearbeitung 1 lernjahr schnelle lieferung kompetenter service jetzt online bei tausendkind  
bestellen

**durchstarten französisch Neubearbeitung 1 lernjahr weltbild** - Aug 04 2022

web bücher online shop durchstarten französisch Neubearbeitung 1 lernjahr von beatrix roenthaler bei weltbild bestellen  
und von der kostenlosen lieferung profitieren

durchstarten französisch Neubearbeitung 1 lernjahr - Mar 31 2022

web unser laden 02571 5 69 89 33 persönlicher kundenservice anmelden 0 artikel 0 00 menu menu romane

durchstarten französisch Neubearbeitung 1 lernjahr - Jun 14 2023

web durchstarten französisch Neubearbeitung 1 lernjahr zurück zur liste

**durchstarten französisch Neubearbeitung 1 lernjahr** - Mar 11 2023

web du das 1 lernjahr durchstarten französisch Neubearbeitung 1 lernjahr durchstarten französisch grammatik übungsbuch  
informationen zum titel ideal zum wiederholen und vertiefen auf knappe erklärungen folgen umfangreiche Übungen zu allen  
themen des 1 lernjahrs der band ergänzt das grammatik

durchstarten französisch Neubearbeitung amazon de - Feb 27 2022

web durchstarten französisch Neubearbeitung alle lernjahre grammatik dein Übungsbuch Übungsbuch mit lösungen

rosenthaler beatrix isbn 9783705874138 kostenloser versand für alle bücher mit versand und verkauf duch amazon  
*durchstarten französisch neubearbeitung 1 lernjahr weltbild* - Dec 28 2021

web durchstarten französisch neubearbeitung 1 lernjahr von beatrix rosenthaler jetzt im weltbild bücher shop bestellen  
reinklicken tolle bücher highlights entdecken

durchstarten französisch neubearbeitung 1 lernjah pdf free - Dec 08 2022

web durchstarten franzosisch neubearbeitung 1 lernjah pdf is available in our digital library an online access to it is set as public so you can get it instantly our books collection spans in multiple locations allowing you to get the most less latency time to download any of our books like this one merely said the durchstarten franzosisch

**beutegier roman pdf free download epdf tips** - Jul 14 2023

web beutegier roman home beutegier roman author jack ketchum 20 downloads 326 views 328kb size report this content was uploaded by our users and we assume good faith they have the permission to share this book if you own the copyright to this book and it is wrongfully on our website we offer a simple dmca procedure to remove your

**beutegier roman kindle edition amazon de** - Jul 02 2022

web beutegier roman ebook ketchum jack jürgens tim stefanidis joannis amazon de books

**duden beutegierig rechtschreibung bedeutung definition** - Feb 26 2022

web definition rechtschreibung synonyme und grammatik von beutegierig auf duden online nachschlagen wörterbuch der deutschen sprache

*beutegier roman jürgens tim ketchum jack stefanidis* - Jan 08 2023

web may 4 2009 beutegier roman paperback 4 may 2009 by tim jürgens herausgeber jack ketchum autor joannis stefanidis Übersetzer 0 more 4 4 4 4 out of 5 stars 176 ratings

beutegier ebook by jack ketchum rakuten kobo - Dec 07 2022

web read beutegier roman by jack ketchum available from rakuten kobo die rückkehr der kannibalen vor elf jahren wurde sheriff george peters zeuge wie eine gruppe verwilderter kannibalen üb

*beutegier roman by jack ketchum books on google play* - Jun 13 2023

web beutegier roman ebook written by jack ketchum read this book using google play books app on your pc android ios devices download for offline reading highlight bookmark or take notes

*beutegier roman jürgens tim ketchum jack stefanidis* - Apr 11 2023

web damals hieß er noch dallas mayr jack ketchum ist das pseudonym für sein leben als autor seit anfang der 80er jahre verfasst er horrorromane schmerz und gewalt spannung und sex bestimmen ihre atmosphäre seine erste veröffentlichung beutezeit wurde zunächst als pornografie hart kritisiert

[beutegier on apple books](#) - Oct 05 2022

web beutegier roman jack ketchum 11 99 11 99 publisher description die rückkehr der kannibalen vor elf jahren wurde sheriff george peters zeuge wie eine gruppe verwilderter kannibalen über touristen herfiel inzwischen ist peters im ruhestand doch als an der küste von maine erneut leichen von urlaubern entdeckt werden wird er zu den

[beutegier roman german edition kindle edition amazon com](#) - Aug 03 2022

web oct 2 2009 buy beutegier roman german edition read kindle store reviews amazon com amazon com beutegier roman german edition ebook ketchum

[9783453675629 beutegier roman ketchum jack](#) - Nov 06 2022

web abebooks com beutegier roman 9783453675629 by ketchum jack and a great selection of similar new used and collectible books available now at great prices 9783453675629 beutegier roman ketchum jack 3453675622 abebooks

[roman boutellier wikipedia](#) - Dec 27 2021

web roman boutellier ist ein schweizer manager und hochschullehrer er war von 1999 bis 2004 unter anderem vorsitzender der konzernleitung und delegierter des verwaltungsrates der sig holding ag

**beutegier roman anna s archive** - May 12 2023

web the world s largest open source open data library includes sci hub library genesis z library and more 14 689 463 books 86 614 187 papers

**beutegier roman paperback 4 may 2009 amazon co uk** - Sep 04 2022

web may 4 2009 buy beutegier roman by ketchum jack jürgens tim stefanidis joannis isbn 9783453675629 from amazon s book store everyday low prices and free delivery on eligible orders

**beutegier roman by jack ketchum is available in these libraries** - Jun 01 2022

web beutegier roman by jack ketchum is available in these libraries overdrive ebooks audiobooks and more for libraries and schools back to beutegier roman find a digital library with beutegier roman near you learn more about precise location detection showing public libraries k 12 schools undefined

**beutegier e kitap jack ketchum pdf d r** - Mar 10 2023

web bir jack ketchum eseri olan beutegier e kitap olarak en cazip fiyat ile d r de keşfetmek için hemen tıklayınız

[beutegier film 2009 filmstarts de](#) - Jan 28 2022

web feb 5 2010 fsk ab 18 vor elf jahren wurde sheriff george peters art hindle zeuge wie eine gruppe verwilderter kannibalen über touristen herfiel inzwischen ist peters im ruhestand doch als an der

**beutegier roman german edition kindle edition amazon ca** - Apr 30 2022

web beutegier roman german edition ebook ketchum jack jürgens tim stefanidis joannis amazon ca kindle store

[beutegier und the woman sequel darlin deutscher trailer hd youtube](#) - Mar 30 2022

web nov 27 2019 jack ketchums beutegier thewoman darlin im dvd und bluray anbot videobuster de seriesdtl php jack ketchums beutegier the woman darli

[beutegier roman by jack ketchum overdrive](#) - Feb 09 2023

web oct 2 2009 beutegier roman beutegier roman ebook by jack ketchum read a sample format ebook isbn 9783453675629 author jack ketchum publisher 02 october 2009 find this title in libby the library reading app by overdrive search for a digital library with this title title found at these libraries sorry no libraries found please try searching

[beutegier roman ketchum jack amazon com tr kitap](#) - Aug 15 2023

web beutegier roman ketchum jack amazon com tr kitap Çerez tercihlerinizi seçin Çerez bildirimimizde ayrıntılı şekilde açıklandığı üzere alışveriş yapmanızı sağlamak alışveriş deneyiminizi iyileştirmek ve hizmetlerimizi sunmak için gerekli olan çerezleri ve benzer araçları kullanırız