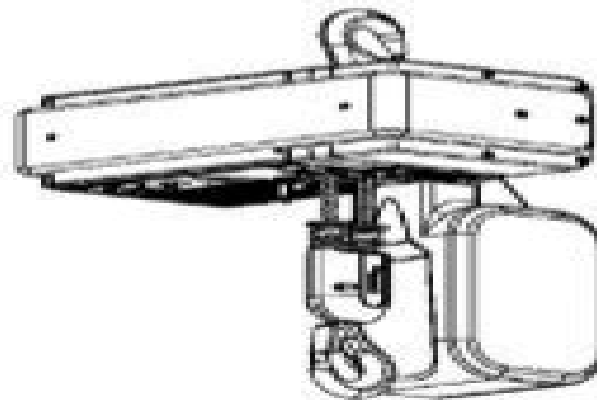


# INSTALLATION AND MAINTENANCE MANUAL XN CHAIN HOIST

## XN10 CHAIN HOIST

English  
STD-K-KHA-F-COD-ENG



# Installation And Maintenance Manual Xn Chain Hoist

**LL Leslie**



## **Installation And Maintenance Manual Xn Chain Hoist:**

Embark on a transformative journey with Explore the World with is captivating work, Discover the Magic in **Installation And Maintenance Manual Xn Chain Hoist** . This enlightening ebook, available for download in a convenient PDF format Download in PDF: , invites you to explore a world of boundless knowledge. Unleash your intellectual curiosity and discover the power of words as you dive into this riveting creation. Download now and elevate your reading experience to new heights

[https://staging.conocer.cide.edu/book/detail/HomePages/Edmund\\_Gouldings\\_Dark\\_Victory\\_Hollywoods\\_Genius\\_Bad\\_Boy.pdf](https://staging.conocer.cide.edu/book/detail/HomePages/Edmund_Gouldings_Dark_Victory_Hollywoods_Genius_Bad_Boy.pdf)

## **Table of Contents Installation And Maintenance Manual Xn Chain Hoist**

1. Understanding the eBook Installation And Maintenance Manual Xn Chain Hoist
  - The Rise of Digital Reading Installation And Maintenance Manual Xn Chain Hoist
  - Advantages of eBooks Over Traditional Books
2. Identifying Installation And Maintenance Manual Xn Chain Hoist
  - Exploring Different Genres
  - Considering Fiction vs. Non-Fiction
  - Determining Your Reading Goals
3. Choosing the Right eBook Platform
  - Popular eBook Platforms
  - Features to Look for in an Installation And Maintenance Manual Xn Chain Hoist
  - User-Friendly Interface
4. Exploring eBook Recommendations from Installation And Maintenance Manual Xn Chain Hoist
  - Personalized Recommendations
  - Installation And Maintenance Manual Xn Chain Hoist User Reviews and Ratings
  - Installation And Maintenance Manual Xn Chain Hoist and Bestseller Lists
5. Accessing Installation And Maintenance Manual Xn Chain Hoist Free and Paid eBooks
  - Installation And Maintenance Manual Xn Chain Hoist Public Domain eBooks
  - Installation And Maintenance Manual Xn Chain Hoist eBook Subscription Services

- Installation And Maintenance Manual Xn Chain Hoist Budget-Friendly Options
- 6. Navigating Installation And Maintenance Manual Xn Chain Hoist eBook Formats
  - ePub, PDF, MOBI, and More
  - Installation And Maintenance Manual Xn Chain Hoist Compatibility with Devices
  - Installation And Maintenance Manual Xn Chain Hoist Enhanced eBook Features
- 7. Enhancing Your Reading Experience
  - Adjustable Fonts and Text Sizes of Installation And Maintenance Manual Xn Chain Hoist
  - Highlighting and Note-Taking Installation And Maintenance Manual Xn Chain Hoist
  - Interactive Elements Installation And Maintenance Manual Xn Chain Hoist
- 8. Staying Engaged with Installation And Maintenance Manual Xn Chain Hoist
  - Joining Online Reading Communities
  - Participating in Virtual Book Clubs
  - Following Authors and Publishers Installation And Maintenance Manual Xn Chain Hoist
- 9. Balancing eBooks and Physical Books Installation And Maintenance Manual Xn Chain Hoist
  - Benefits of a Digital Library
  - Creating a Diverse Reading Collection Installation And Maintenance Manual Xn Chain Hoist
- 10. Overcoming Reading Challenges
  - Dealing with Digital Eye Strain
  - Minimizing Distractions
  - Managing Screen Time
- 11. Cultivating a Reading Routine Installation And Maintenance Manual Xn Chain Hoist
  - Setting Reading Goals Installation And Maintenance Manual Xn Chain Hoist
  - Carving Out Dedicated Reading Time
- 12. Sourcing Reliable Information of Installation And Maintenance Manual Xn Chain Hoist
  - Fact-Checking eBook Content of Installation And Maintenance Manual Xn Chain Hoist
  - Distinguishing Credible Sources
- 13. Promoting Lifelong Learning
  - Utilizing eBooks for Skill Development
  - Exploring Educational eBooks
- 14. Embracing eBook Trends

- Integration of Multimedia Elements
- Interactive and Gamified eBooks

## **Installation And Maintenance Manual Xn Chain Hoist Introduction**

In the digital age, access to information has become easier than ever before. The ability to download Installation And Maintenance Manual Xn Chain Hoist has revolutionized the way we consume written content. Whether you are a student looking for course material, an avid reader searching for your next favorite book, or a professional seeking research papers, the option to download Installation And Maintenance Manual Xn Chain Hoist has opened up a world of possibilities. Downloading Installation And Maintenance Manual Xn Chain Hoist provides numerous advantages over physical copies of books and documents. Firstly, it is incredibly convenient. Gone are the days of carrying around heavy textbooks or bulky folders filled with papers. With the click of a button, you can gain immediate access to valuable resources on any device. This convenience allows for efficient studying, researching, and reading on the go. Moreover, the cost-effective nature of downloading Installation And Maintenance Manual Xn Chain Hoist has democratized knowledge. Traditional books and academic journals can be expensive, making it difficult for individuals with limited financial resources to access information. By offering free PDF downloads, publishers and authors are enabling a wider audience to benefit from their work. This inclusivity promotes equal opportunities for learning and personal growth. There are numerous websites and platforms where individuals can download Installation And Maintenance Manual Xn Chain Hoist. These websites range from academic databases offering research papers and journals to online libraries with an expansive collection of books from various genres. Many authors and publishers also upload their work to specific websites, granting readers access to their content without any charge. These platforms not only provide access to existing literature but also serve as an excellent platform for undiscovered authors to share their work with the world. However, it is essential to be cautious while downloading Installation And Maintenance Manual Xn Chain Hoist. Some websites may offer pirated or illegally obtained copies of copyrighted material. Engaging in such activities not only violates copyright laws but also undermines the efforts of authors, publishers, and researchers. To ensure ethical downloading, it is advisable to utilize reputable websites that prioritize the legal distribution of content. When downloading Installation And Maintenance Manual Xn Chain Hoist, users should also consider the potential security risks associated with online platforms. Malicious actors may exploit vulnerabilities in unprotected websites to distribute malware or steal personal information. To protect themselves, individuals should ensure their devices have reliable antivirus software installed and validate the legitimacy of the websites they are downloading from. In conclusion, the ability to download Installation And Maintenance Manual Xn Chain Hoist has transformed the way we access information. With the convenience, cost-effectiveness, and accessibility it offers, free PDF downloads have become a

popular choice for students, researchers, and book lovers worldwide. However, it is crucial to engage in ethical downloading practices and prioritize personal security when utilizing online platforms. By doing so, individuals can make the most of the vast array of free PDF resources available and embark on a journey of continuous learning and intellectual growth.

### **FAQs About Installation And Maintenance Manual Xn Chain Hoist Books**

How do I know which eBook platform is the best for me? Finding the best eBook platform depends on your reading preferences and device compatibility. Research different platforms, read user reviews, and explore their features before making a choice. Are free eBooks of good quality? Yes, many reputable platforms offer high-quality free eBooks, including classics and public domain works. However, make sure to verify the source to ensure the eBook credibility. Can I read eBooks without an eReader? Absolutely! Most eBook platforms offer web-based readers or mobile apps that allow you to read eBooks on your computer, tablet, or smartphone. How do I avoid digital eye strain while reading eBooks? To prevent digital eye strain, take regular breaks, adjust the font size and background color, and ensure proper lighting while reading eBooks. What the advantage of interactive eBooks? Interactive eBooks incorporate multimedia elements, quizzes, and activities, enhancing the reader engagement and providing a more immersive learning experience. Installation And Maintenance Manual Xn Chain Hoist is one of the best book in our library for free trial. We provide copy of Installation And Maintenance Manual Xn Chain Hoist in digital format, so the resources that you find are reliable. There are also many Ebooks of related with Installation And Maintenance Manual Xn Chain Hoist. Where to download Installation And Maintenance Manual Xn Chain Hoist online for free? Are you looking for Installation And Maintenance Manual Xn Chain Hoist PDF? This is definitely going to save you time and cash in something you should think about.

### **Find Installation And Maintenance Manual Xn Chain Hoist :**

~~edmund gouldings dark victory hollywoods genius bad boy  
edging women out victorian novelists publishers and social change  
edl word clues i~~

### **educ policy directions in aotearoa nz**

~~edible wild plants of pennsylvania and neighboring states~~

~~ed the happy clown a yummy fur~~

~~edexcel as and a level revise for pure mathematics 2 heinemann modular mathematics~~

**educational psychology effective teaching**

educational psychology principles and applications

**editorial and persuasive writing opinion functions of the news media**

edgar degas pastels

education matters government markets and new zealand schools

*education and the significance of life*

eddie and the cruisers

*edmund burke 1729-1797 a bibliography*

## **Installation And Maintenance Manual Xn Chain Hoist :**

**32 free excel spreadsheet templates smartsheet** - Mar 07 2023

web business budget template list income sources and business expenses track operating costs and balance your budget accordingly with this comprehensive budget template gain an accurate picture of your weekly monthly and annual costs and determine actual spend to compare against your predicted budget download excel try smartsheet

*free log sheet excel template download template net* - Jun 10 2023

web log sheet templates excel record anything with template net s free log sheet templates in word make a mileage log for your vehicle visitor logbook call log sheet issue tracker log project log sheet or sales log our printable templates will make your work easier

**free log sheet templates 22 word excel pdf format** - Feb 06 2023

web a log sheet template is a blank sheet in which you will plug in the information you need the log sheet utilized for for instance you can utilize a downloaded template and plugin your information or you could simply use an excel document you can change these templates to include whatever would be necessary for your needs

**excel design templates microsoft create** - Aug 12 2023

web add function and flair with excel templates whatever you use excel for there are customizable design templates that ll help you get started on your next project find templates that ll jumpstart your work the next time you need to crunch some numbers create from scratch

**15 excel spreadsheet templates for tracking tasks costs and** - Sep 13 2023

web may 1 2023 excel spreadsheet templates are a great tool to track the costs time and performance of your team we ve collected projectmanager s 15 best excel spreadsheet templates for tracking that you can download and use for free 1 dashboard template



**10 free daily log templates in word excel and clickup** - May 09 2023

web sep 28 2023 table of contents what is a daily log template what makes a good daily log template top 10 daily log templates to use in 2023 1 clickup daily log template 2 clickup daily report template 3 clickup daily planner template 4 clickup daily construction report template 5 clickup daily production report template 6

**free 31 log templates in excel** - Apr 08 2023

web log template excel sample log template documents in pdf word excel log sheet template 9 download free documents in pdf word sample repair log template 9 free documents in pdf excel for an easier time in documenting these things we provide you with useful log templates that are easy to use

*free work log templates with how to examples smartsheet* - Oct 14 2023

web jul 13 2023 try smartsheet for free by kate eby july 13 2023 we ve collected the best work log templates for a range of uses in microsoft word excel adobe pdf and google sheets and docs formats the templates help you track work activities and progress to manage your time and stay organized

**free log excel template download template net** - Jan 05 2023

web log templates excel download a log in sheet form that helps you input data anytime on your laptop or pc with template net s log templates in ms excel choose from blank simple or basic samples for call logs maintenance logs

50 printable log sheet templates direct download - Jul 11 2023

web types of log sheet templates perhaps the easiest way to make a log sheet template is through the excel application or you can just download this template of a log sheet here then customize it to suit your needs or requirements once you have made your choice you can start inserting all the relevant and necessary details of the log sheet

*9783458192404 wie herrlich leuchtet mir die natur gedichte und* - May 04 2022

web wie herrlich leuchtet mir die natur gedichte und bilder insel bücherei finden sie alle bücher von goethe johann wolfgang bei der büchersuchmaschine eurobuch com können sie antiquarische und neubücher vergleichen und sofort zum bestpreis bestellen 9783458192404 die natur ist wie die liebe

**johann wolfgang von goethe mailed maifest genius** - Feb 13 2023

web mailed maifest lyrics wie herrlich leuchtet mir die natur wie glänzt die sonne wie lacht die flur es dringen blüten aus jedem zweig und tausend stimmen aus dem

**wie herrlich leuchtet mir die natur suhrkamp verlag** - Jun 17 2023

web mar 17 2003 die natur ist wie die liebe das große thema in goethes leben und werk über viele jahrzehnte hat er sich mit naturwissenschaftlichen fragen beschäftigt die farbenlehre hielt er selbst für sein bedeutendstes werk

**goethe mailed uni freiburg de** - Dec 11 2022

web mailed gedicht von johann wolfgang von goethe wie herrlich leuchtet mir die natur wie glänzt die sonne wie lacht die flur wie glänzt die sonne wie lacht die flur es dringen blüten aus jedem zweig und tausend stimmen aus dem gesträuch und freud und wonne aus jeder brust o erd o sonne o glück o lust

**maylied mailed wie herrlich leuchtet liedernet** - Feb 01 2022

web wie herrlich leuchtet mir die natur wie glänzt die sonne wie lacht die flur es dringen blüten 1 aus jedem zweig und tausend stimmen aus dem gesträuch und freud und wonne aus jeder brust o erd o sonne o glück o lust o lieb 2 o liebe so golden schön wie morgenwolken auf jenen höhn

*wie herrlich leuchtet mir die natur gedichte und bilder insel* - Aug 07 2022

web wie herrlich leuchtet mir die natur gedichte und bilder insel bücherei 1240 goethe johann wolfgang amazon com tr kitap

**mailed maifest 1771 deutsche lyrik** - Nov 10 2022

web wie herrlich leuchtet mir die natur wie glänzt die sonne wie lacht die flur es dringen blüten aus jedem zweig und tausend stimmen aus dem gesträuch und freud und wonne aus jeder brust o erd o sonne o glück o lust o lieb o liebe so golden schön wie morgenwolken auf jenen höhn du segnest herrlich das frische feld im blütendampfe

wie herrlich leuchtet mir die natur gedichte und bilder insel - Apr 03 2022

web wie herrlich leuchtet mir die natur gedichte und bilder insel bücherei simm hans joachim goethe johann wolfgang isbn 9783458177548 kostenloser versand für alle bücher mit versand und verkauf duch amazon

**wie herrlich leuchtet mir die natur gedichte und bilder insel** - Jun 05 2022

web wie herrlich leuchtet mir die natur gedichte und bilder insel bücherei simm hans joachim goethe johann wolfgang amazon de bücher bücher literatur fiktion lyrik neu 14 00 preisangaben inkl ust abhängig von der lieferadresse kann die ust an der kasse variieren weitere informationen kostenfreie retouren

**wie herrlich leuchtet mir die natur mailed volksliederarchiv** - May 16 2023

web wie herrlich leuchtet mir die natur wie glänzt die sonne wie lacht die flur es dringen blüten aus jedem zweig und tausend stimmen aus dem gesträuch und freud und wonne aus jeder brust o erd o sonne o glück o lust o lieb o liebe so golden schön wie morgenwolken auf jenen höhn du segnest herrlich das frische feld im blütendampfe

**goethe mailed uni mainz de** - Jul 18 2023

web wie herrlich leuchtet mir die natur wie glänzt die sonne wie lacht die flur es dringen blüten aus jedem zweig und tausend stimmen aus dem gesträuch und freud und wonne aus jeder brust o erd o sonne o glück o lust o lieb o liebe so golden schön wie morgenwolken auf jenen höhn du segnest herrlich das frische feld im

**wie herrlich leuchtet mir die natur thalia** - Jul 06 2022

web die natur ist wie die liebe das große thema in goethes leben und werk über viele jahrzehnte hat er sich mit

naturwissenschaftlichen fragen beschäftigt die farbenlehre hielt er selbst für sein bedeutendstes werk das er höher einschätzte als den weiterlesen details einband gebundene ausgabe erscheinungsdatum 17 03 2003 herausgeber

**mailed wie herrlich leuchtet mir die natur wie glänzt die sonne** - Aug 19 2023

web mailed wie herrlich leuchtet mir die natur wie glänzt die sonne wie lacht die flur es dringen blüten aus jedem zweig und tausend stimmen aus dem gesträuch und freud und wonne aus jeder brust o erd o sonne o glück o lust o lieb o liebe so golden schön wie morgenwolken auf jenen höh n

**maifest goethe analyse interpretation beispieltext tipps** - Mar 14 2023

web in dem gedicht wird das zusammenspiel von liebe und natur beschrieben das lyrische ich spricht von einem mädchen das es liebt die stärke seiner gefühle zeigt sich in den ausführungen über die schönheit der natur schreibst du eine analyse von maifest goethe gehst du dabei auf inhalt form und sprache ein

mayfest johann wolfgang von goethe wikisource - Jan 12 2023

web wie herrlich leuchtet mir die natur wie glänzt die sonne wie lacht die flur 5 es dringen blüten aus iedem zweig und tausend stimmen aus dem gesträuch und freud und wonne 10 aus ieder brust o erd o sonne o glück o lust 76 o lieb o liebe so golden schön 15 wie morgenwolken auf ienen höhn du segnest herrlich das frische

**mailed goethe gedichte** - Oct 09 2022

web mailed das gedicht mailed auch maifest stammt aus der feder von johann wolfgang von goethe wie herrlich leuchtet mir die natur wie glänzt die sonne wie lacht die flur es dringen blüten aus jedem zweig und tausend stimmen aus dem gesträuch und freud und wonne aus jeder brust o erd o sonne o glück o lust o lieb o liebe

*ludwig van beethoven mailed lyrics genius lyrics* - Sep 08 2022

web mailed lyrics wie herrlich leuchtet mir die natur wie glänzt die sonne wie lacht die flur es dringen blüten aus jedem zweig und tausend stimmen aus dem gesträuch

deutschland lese mailed - Apr 15 2023

web wie herrlich leuchtet mir die natur wie glänzt die sonne wie lacht die flur es dringen blüten aus jedem zweig und tausend stimmen aus dem gesträuch und freud und wonne aus jeder brust o erd o sonne o glück o lust o lieb o liebe so golden schön wie morgenwolken auf jenen höhn du segnest herrlich das frische feld

**wie herrlich leuchtet mir die natur gedichte und bilder 1240** - Mar 02 2022

web wie herrlich leuchtet mir die natur gedichte und bilder 1240 von goethe johann wolfgang von isbn 10 3458192409 isbn 13 9783458192404 insel verlag gmbh 2003 hardcover

**johann wolfgang von goethe mailed wie herrlich leuchtet mir die natur** - Sep 20 2023

web wie herrlich leuchtet mir die natur wie glänzt die sonne wie lacht die flur es dringen blüten aus jedem zweig und

tausend stimmen aus dem gesträuch und freud und wonne aus jeder brust o erd o sonne o glück o lust o lieb o liebe so golden schön wie morgenwolken auf jenen höhn du segnest herrlich das frische feld

**unit 12 reproductive system activity sheet samantha fowler** - Apr 20 2022

web insect accessory reproductive structures m s kaulenas 1992 the book provides a comprehensive review on insect accessory reproductive structures the topics covered include the development and genetic control of differentiation of the reproductive efferent duct systems and associated structures with regard to the female

**unit 12 reproductive system activity sheet andreas schleicher** - May 02 2023

web based on the principles of applied behavior analysis and developed over more than a decade of research the intervention consists of 11 core sessions as well as supplemental sessions a home visit and follow up visits each session includes a therapist script activity sheets parent handouts and checklists

unit 12 reproductive system activity sheet db csda - Jul 04 2023

web exercises on clinical judgment related to the case studies in the text chapter includes chapter purpose learning objectives and a variety of learning exercises including matching true or false and fill in the blanks answers to all activities and exercises are included in the back of the book test yourself sections present a

**unit12reproductivesystemactivitysheet** - Feb 28 2023

web 12 reproductive system activity sheet 2 2 map unit 12 reproductive system activity sheet nov 30 2022 unit 12 reproductive system activity sheet is a link between depression and sexually activity in teens the female

download free unit 12 reproductive system activity sheet - Jan 30 2023

web unit 12 reproductive system activity sheet the reproductive system at a glance mar 21 2023 the reproductive system at a glance is a comprehensive guide to normal reproductive biology and associated pathophysiology in both sexes concise easy to read and clearly structured the double page spreads progress from

unit 12 reproductive system - Oct 07 2023

web unit 12 reproductive system activity reproductive system worksheet name period describe the two main functions of the reproductive system define gonads gametes the temperature in the scrotum is about 3 degrees lower higher than normal body temperature why a

**unit 12 reproductive system activity sheet pdf** - May 22 2022

web pages of unit 12 reproductive system activity sheet a mesmerizing literary creation penned with a celebrated wordsmith readers embark on an enlightening odyssey unraveling the intricate significance of language and its enduring affect our lives

unit 12 reproductive system activity sheet pdf - Mar 20 2022

web systems including the nervous system endocrine system reproductive system digestive system excretory system and

muscular system they record and analyze observations conduct calculation use tables and graphs apply concepts formulate hypothesis and design experiments welcome to starline press an independent learning curriculum 3rd

[cbse class 12 biology reproductive health assignment set b](#) - Oct 27 2022

web biology read and download free pdf of cbse class 12 biology reproductive health assignment set b get printable school assignments for class 12 biology class 12 students should practise questions and answers given here for chapter 4

reproductive health biology in class 12 which will help them to strengthen their understanding of all

[unit 12 reproductive system activity sheet donate pfi org](#) - Jun 22 2022

web health assessment physical examinations assessment of pregnant women and assessment and clinical evaluation of obesity in women female reproduction anatomy physiology and the reproductive cycle contraceptive devices the diaphragm intrauterine contraception and contraceptive implants assessment of women at risk

**biology 12 the reproductive system lyons township high** - Jun 03 2023

web clarity allows a testes male gonads which produce sperm and testosterone b scrotum sac in which testes are suspended hang underneath penis outside male s body c seminiferous tubules 3 coiled tubes within each testis in which sperm is

produced d epididymis tubular storage sac on top of each testis in which sperm mature

**unit 12 reproductive system south sevier high school** - Aug 05 2023

web a testes description the testes are the male gonads and are egg shaped structures enclosed in a dense fibrous capsule called the tunica albuginea they are suspended within the scrotum by the spermatic cord the testes are divided into sections called lobules which contain the seminiferous tubules functions

[unit 12 reproductive system activity sheet design bluesquare](#) - Apr 01 2023

web study the foundation of body systems including the nervous system endocrine system reproductive system digestive system excretory system and muscular system they record and analyze observations conduct calculation use tables and graphs apply concepts formulate hypothesis and design experiments welcome to starline press

[unit 12 reproductive system activity sheet copy](#) - Sep 25 2022

web unit 12 reproductive system activity sheet is available in our digital library an online access to it is set as public so you can get it instantly our digital library saves in multiple countries allowing you to get the most less latency time to

[unit 12 reproductive system activity sheet learny kids](#) - Sep 06 2023

web unit 12 reproductive system activity sheet displaying top 8 worksheets found for unit 12 reproductive system activity sheet some of the worksheets for this concept are unit 12 reproductive system activity unit 12 reproductive system work answers unit 12 reproductive system work answers reproductive system name

**cbse class 12 biology reproductive health worksheet** - Aug 25 2022

web worksheets play an important role in developing an understanding of chapter 4 reproductive health in cbse class 12 students can download and save or print all the worksheets printable assignments and practice sheets of the above chapter in class 12 biology in pdf format from studiestoday you can print or read them online on your

*male and female reproductive organs activity sheets k12* - Nov 27 2022

web worksheets are male and female reproductive body parts anatomy physiology reproductive system work male name reproductive system work describing the male and female reproductive systems male reproductive system activity grades 6 to 8 human body series female reproductive system unit 12 reproductive system

*unit 12 reproductive system activity sheet pdf free devy ortax* - Dec 29 2022

web susan lang 2022 11 22 this is a google slides version of the the reproductive system chapter from the full lesson plan circulatory digestive reproductive systems our resource breaks down each system of the human body to make it

[unit 12 reproductive system activity sheet app oaklandlibrary](#) - Jul 24 2022

web systems including the nervous system endocrine system reproductive system digestive system excretory system and muscular system they record and analyze observations conduct calculation use tables and graphs apply concepts formulate hypothesis and design experiments welcome to starline press an independent learning curriculum

*unit 12 reproductive system activity sheet 2022 projects techhut* - Feb 16 2022

web 2 unit 12 reproductive system activity sheet 2019 12 08 world both in basic cellular molecular biology as well as in clinical science and practice this book is suitable for endocrinologists urologists general internists gynecologists and other students in the field of male reproduction a textbook of clinical embryology world bank