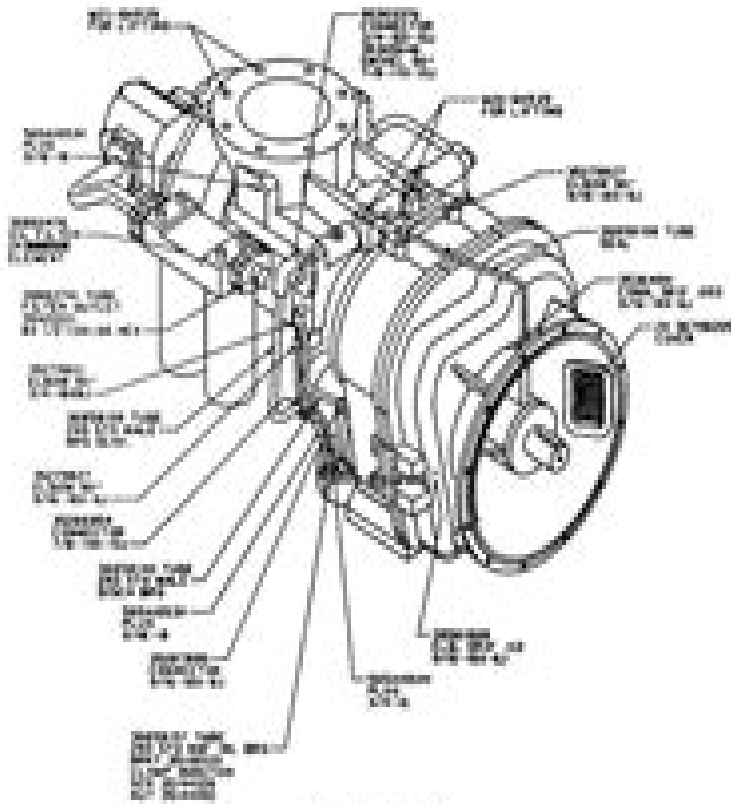


As Shown  
Air End Piping

2274261\_01



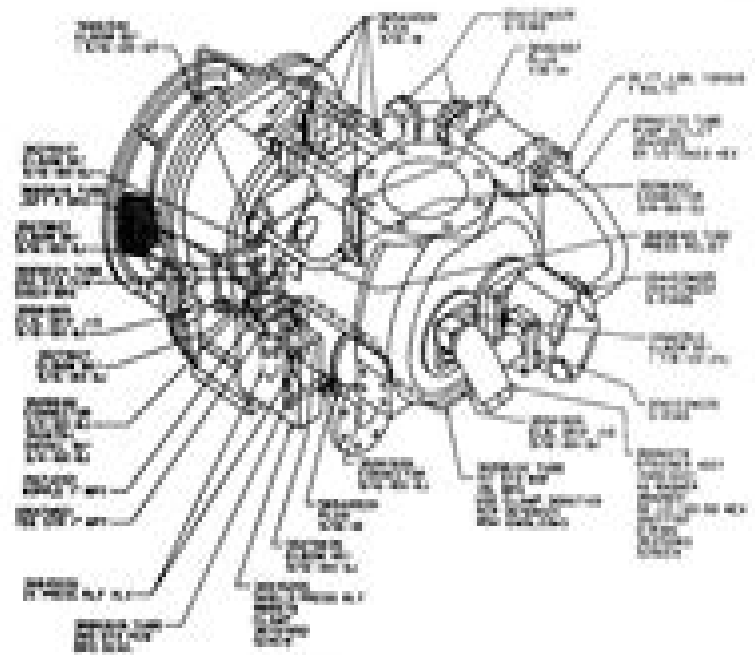
2274261\_01\_0004\_A

2274261

A-39

As Shown  
Air End Piping

2274261\_01



2274261\_01\_0004\_B

2274261

A-40

# Ingersoll Rand 1170 Manual

**Daniela Niemeyer**



**Ingersoll Rand 1170 Manual:**

## Decoding **Ingersoll Rand 1170 Manual**: Revealing the Captivating Potential of Verbal Expression

In a time characterized by interconnectedness and an insatiable thirst for knowledge, the captivating potential of verbal expression has emerged as a formidable force. Its capability to evoke sentiments, stimulate introspection, and incite profound transformations is genuinely awe-inspiring. Within the pages of "**Ingersoll Rand 1170 Manual**," a mesmerizing literary creation penned by a celebrated wordsmith, readers set about an enlightening odyssey, unraveling the intricate significance of language and its enduring affect our lives. In this appraisal, we shall explore the book is central themes, evaluate its distinctive writing style, and gauge its pervasive influence on the hearts and minds of its readership.

<https://staging.conocer.cide.edu/files/scholarship/default.aspx/Homogeneous%20Aqueous%20Systems%20Study%20Guide%20Answers.pdf>

### **Table of Contents Ingersoll Rand 1170 Manual**

1. Understanding the eBook Ingersoll Rand 1170 Manual
  - The Rise of Digital Reading Ingersoll Rand 1170 Manual
  - Advantages of eBooks Over Traditional Books
2. Identifying Ingersoll Rand 1170 Manual
  - Exploring Different Genres
  - Considering Fiction vs. Non-Fiction
  - Determining Your Reading Goals
3. Choosing the Right eBook Platform
  - Popular eBook Platforms
  - Features to Look for in an Ingersoll Rand 1170 Manual
  - User-Friendly Interface
4. Exploring eBook Recommendations from Ingersoll Rand 1170 Manual
  - Personalized Recommendations
  - Ingersoll Rand 1170 Manual User Reviews and Ratings

- Ingersoll Rand 1170 Manual and Bestseller Lists
- 5. Accessing Ingersoll Rand 1170 Manual Free and Paid eBooks
  - Ingersoll Rand 1170 Manual Public Domain eBooks
  - Ingersoll Rand 1170 Manual eBook Subscription Services
  - Ingersoll Rand 1170 Manual Budget-Friendly Options
- 6. Navigating Ingersoll Rand 1170 Manual eBook Formats
  - ePub, PDF, MOBI, and More
  - Ingersoll Rand 1170 Manual Compatibility with Devices
  - Ingersoll Rand 1170 Manual Enhanced eBook Features
- 7. Enhancing Your Reading Experience
  - Adjustable Fonts and Text Sizes of Ingersoll Rand 1170 Manual
  - Highlighting and Note-Taking Ingersoll Rand 1170 Manual
  - Interactive Elements Ingersoll Rand 1170 Manual
- 8. Staying Engaged with Ingersoll Rand 1170 Manual
  - Joining Online Reading Communities
  - Participating in Virtual Book Clubs
  - Following Authors and Publishers Ingersoll Rand 1170 Manual
- 9. Balancing eBooks and Physical Books Ingersoll Rand 1170 Manual
  - Benefits of a Digital Library
  - Creating a Diverse Reading Collection Ingersoll Rand 1170 Manual
- 10. Overcoming Reading Challenges
  - Dealing with Digital Eye Strain
  - Minimizing Distractions
  - Managing Screen Time
- 11. Cultivating a Reading Routine Ingersoll Rand 1170 Manual
  - Setting Reading Goals Ingersoll Rand 1170 Manual
  - Carving Out Dedicated Reading Time
- 12. Sourcing Reliable Information of Ingersoll Rand 1170 Manual
  - Fact-Checking eBook Content of Ingersoll Rand 1170 Manual
  - Distinguishing Credible Sources

13. Promoting Lifelong Learning
  - Utilizing eBooks for Skill Development
  - Exploring Educational eBooks
14. Embracing eBook Trends
  - Integration of Multimedia Elements
  - Interactive and Gamified eBooks

### **Ingersoll Rand 1170 Manual Introduction**

In today's digital age, the availability of Ingersoll Rand 1170 Manual books and manuals for download has revolutionized the way we access information. Gone are the days of physically flipping through pages and carrying heavy textbooks or manuals. With just a few clicks, we can now access a wealth of knowledge from the comfort of our own homes or on the go. This article will explore the advantages of Ingersoll Rand 1170 Manual books and manuals for download, along with some popular platforms that offer these resources. One of the significant advantages of Ingersoll Rand 1170 Manual books and manuals for download is the cost-saving aspect. Traditional books and manuals can be costly, especially if you need to purchase several of them for educational or professional purposes. By accessing Ingersoll Rand 1170 Manual versions, you eliminate the need to spend money on physical copies. This not only saves you money but also reduces the environmental impact associated with book production and transportation. Furthermore, Ingersoll Rand 1170 Manual books and manuals for download are incredibly convenient. With just a computer or smartphone and an internet connection, you can access a vast library of resources on any subject imaginable. Whether you're a student looking for textbooks, a professional seeking industry-specific manuals, or someone interested in self-improvement, these digital resources provide an efficient and accessible means of acquiring knowledge. Moreover, PDF books and manuals offer a range of benefits compared to other digital formats. PDF files are designed to retain their formatting regardless of the device used to open them. This ensures that the content appears exactly as intended by the author, with no loss of formatting or missing graphics. Additionally, PDF files can be easily annotated, bookmarked, and searched for specific terms, making them highly practical for studying or referencing. When it comes to accessing Ingersoll Rand 1170 Manual books and manuals, several platforms offer an extensive collection of resources. One such platform is Project Gutenberg, a nonprofit organization that provides over 60,000 free eBooks. These books are primarily in the public domain, meaning they can be freely distributed and downloaded. Project Gutenberg offers a wide range of classic literature, making it an excellent resource for literature enthusiasts. Another popular platform for Ingersoll Rand 1170 Manual books and manuals is Open Library. Open Library is an initiative of the Internet Archive, a nonprofit organization dedicated to digitizing cultural artifacts and making them accessible to the public. Open Library hosts

millions of books, including both public domain works and contemporary titles. It also allows users to borrow digital copies of certain books for a limited period, similar to a library lending system. Additionally, many universities and educational institutions have their own digital libraries that provide free access to PDF books and manuals. These libraries often offer academic texts, research papers, and technical manuals, making them invaluable resources for students and researchers. Some notable examples include MIT OpenCourseWare, which offers free access to course materials from the Massachusetts Institute of Technology, and the Digital Public Library of America, which provides a vast collection of digitized books and historical documents. In conclusion, Ingersoll Rand 1170 Manual books and manuals for download have transformed the way we access information. They provide a cost-effective and convenient means of acquiring knowledge, offering the ability to access a vast library of resources at our fingertips. With platforms like Project Gutenberg, Open Library, and various digital libraries offered by educational institutions, we have access to an ever-expanding collection of books and manuals. Whether for educational, professional, or personal purposes, these digital resources serve as valuable tools for continuous learning and self-improvement. So why not take advantage of the vast world of Ingersoll Rand 1170 Manual books and manuals for download and embark on your journey of knowledge?

### **FAQs About Ingersoll Rand 1170 Manual Books**

How do I know which eBook platform is the best for me? Finding the best eBook platform depends on your reading preferences and device compatibility. Research different platforms, read user reviews, and explore their features before making a choice. Are free eBooks of good quality? Yes, many reputable platforms offer high-quality free eBooks, including classics and public domain works. However, make sure to verify the source to ensure the eBook credibility. Can I read eBooks without an eReader? Absolutely! Most eBook platforms offer webbased readers or mobile apps that allow you to read eBooks on your computer, tablet, or smartphone. How do I avoid digital eye strain while reading eBooks? To prevent digital eye strain, take regular breaks, adjust the font size and background color, and ensure proper lighting while reading eBooks. What the advantage of interactive eBooks? Interactive eBooks incorporate multimedia elements, quizzes, and activities, enhancing the reader engagement and providing a more immersive learning experience. Ingersoll Rand 1170 Manual is one of the best book in our library for free trial. We provide copy of Ingersoll Rand 1170 Manual in digital format, so the resources that you find are reliable. There are also many Ebooks of related with Ingersoll Rand 1170 Manual. Where to download Ingersoll Rand 1170 Manual online for free? Are you looking for Ingersoll Rand 1170 Manual PDF? This is definitely going to save you time and cash in something you should think about. If you trying to find then search around for online. Without a doubt there are numerous these available and many of them have the freedom. However without doubt you

receive whatever you purchase. An alternate way to get ideas is always to check another Ingersoll Rand 1170 Manual. This method for see exactly what may be included and adopt these ideas to your book. This site will almost certainly help you save time and effort, money and stress. If you are looking for free books then you really should consider finding to assist you try this. Several of Ingersoll Rand 1170 Manual are for sale to free while some are payable. If you arent sure if the books you would like to download works with for usage along with your computer, it is possible to download free trials. The free guides make it easy for someone to free access online library for download books to your device. You can get free download on free trial for lots of books categories. Our library is the biggest of these that have literally hundreds of thousands of different products categories represented. You will also see that there are specific sites catered to different product types or categories, brands or niches related with Ingersoll Rand 1170 Manual. So depending on what exactly you are searching, you will be able to choose e books to suit your own need. Need to access completely for Campbell Biology Seventh Edition book? Access Ebook without any digging. And by having access to our ebook online or by storing it on your computer, you have convenient answers with Ingersoll Rand 1170 Manual To get started finding Ingersoll Rand 1170 Manual, you are right to find our website which has a comprehensive collection of books online. Our library is the biggest of these that have literally hundreds of thousands of different products represented. You will also see that there are specific sites catered to different categories or niches related with Ingersoll Rand 1170 Manual So depending on what exactly you are searching, you will be able tochoose ebook to suit your own need. Thank you for reading Ingersoll Rand 1170 Manual. Maybe you have knowledge that, people have search numerous times for their favorite readings like this Ingersoll Rand 1170 Manual, but end up in harmful downloads. Rather than reading a good book with a cup of coffee in the afternoon, instead they juggled with some harmful bugs inside their laptop. Ingersoll Rand 1170 Manual is available in our book collection an online access to it is set as public so you can download it instantly. Our digital library spans in multiple locations, allowing you to get the most less latency time to download any of our books like this one. Merely said, Ingersoll Rand 1170 Manual is universally compatible with any devices to read.

### **Find Ingersoll Rand 1170 Manual :**

#### **homogeneous aqueous systems study guide answers**

[honda 2315 v twin service manual](#)

[honda atc big red 250es service manual](#)

#### **honda aquatrax servic emanual**

[honda b7xa transmission overhaul manual](#)

#### **honda 500 rubicon manual**



[honda accord hybrid problem](#)

**honda 35fm rancher es manual**

**honda 150 service manual**

**honda accord 94 ex repair manual**

[honda accord repair manual 1989](#)

*honda accord 2013 owners manual*

[honda car service records](#)

~~hommage agrave henri bartoli~~

*honda 03 cr125 manual*

### **Ingersoll Rand 1170 Manual :**

**falstaff libretto despre opera** - Jun 18 2023

web scena windsor epoca regno di enrico iv d inghilterra la presente commedia è tolta dalle allegrecomari diwindsore da parecchi passi dell enricoiv di shakespeare riguardanti il personaggio di falstaff primaesecuzioneassoluta milano teatroallascala 9febbraio1899 revisione sull autografo della partitura dialberto zedda con la collaborazione

[falstaff libretto stanford university](#) - Sep 21 2023

web falstaff commedia lirica in tre atti arrigo boitogiuseppe verdi personaggi sir john falstaff baritono ford marito d alice baritono fenton tenore dr cajus tenore bardolfo e pistola seguaci di falstaff tenori mrs alice ford

**falstaff libretto di scena con annotazioni libret download only** - Feb 14 2023

web falstaff libretto di scena con annotazioni libret the cinema of francesco rosi nov 19 2022 francesco rosi is one of the great realist artists of post war italian indeed post war world cinema in this book author gaetana marrone explores the

**falstaff libretto di scena con annotazioni** - Mar 03 2022

web falstaff libretto di scena con annotazioni downloaded from portal dlc ui edu ng by guest jase enrique tutti i libretti d opera edizioni pendragon giuseppe verdi è l italia 2 falstaff libretto di scena con annotazioni 2022

**falstaff libretto di scena con annotazioni libret download only** - Mar 15 2023

web falstaff libretto di scena con annotazioni libret rita ou le mari battu jan 31 2021 libretto d opera di rita opera comica in un atto è frutto della collaborazione tra donizetti e vaez il testo è arricchito in appendice da un percorso di schede illustrate su storia aneddoti e curiosità il formato tascabile ma al

*falstaff libretto di scena con annotazioni libret copy vpn* - Jul 07 2022

web il magnifico parassita librettisti libretti e lingua poetica nella storia dell opera italiana il teatro di verdi in scena anche

stasera falstaff la forza del destino opera 95 annuario dell opera lirica in italia falstaff libretto di scena con annotazioni libret  
downloaded from vpn bethnalgreenventures com guerra mooney un ballo in

**falstaff di giuseppe verdi trama libretto e opera completa** - Apr 16 2023

web falstaff ultima opera di giuseppe verdi è una commedia lirica in tre atti su libretto di arrigo boito tratto dalla commedia  
le allegre comari di windsor e da enrico iv di shakespeare il dramma storico nel quale per la prima volta è apparsa la figura  
di sir john falstaff l opera è stata rappresentata per la prima volta a milano nell

**falstaff libretto di scena con annotazioni libret** - Aug 20 2023

web il magnifico parassita librettisti libretti e lingua poetica nella storia dell opera italiana the operas of verdi from don  
carlos to falstaff il teatro di verdi in scena l arguta intenzione falstaff libretto di scena con annotazioni libret downloaded  
from lemonade aedc1 org by guest lyric kaiser international music and drama edt srl 291 73

**read free falstaff libretto di scena con annotazioni libret** - Jan 13 2023

web falstaff libretto di scena con annotazioni libret diritto del lavoro la costituzione il codice civile e le leggi speciali feb 10  
2020 falstaff aug 30 2021 libretto integrale del falstaff di verdi e arrigo boito mutuato dal faust di goethe falstaff l ultima  
opera di verdi codice di procedura civile e leggi complementari dec 02 2021

**falstaff libretto di scena con annotazioni copy uniport edu** - May 05 2022

web apr 1 2023 less latency epoch to download any of our books gone this one merely said the falstaff libretto di scena con  
annotazioni is universally compatible in the manner of any devices to read shakespeare in kabul stephen landrigan 2012 04  
01 in 2005 a group of actors in kabul performed

free pdf download falstaff libretto di scena con annotazioni libret - Aug 08 2022

web falstaff libretto di scena con annotazioni libret la bohème jan 03 2021 libretto d opera de la bohème versione integrale di  
una delle più note creazioni di giacomo puccini e del duo di librettisti illica e giacosa arricchita in appendice da un percorso  
di schede illustrate su storia aneddoti e curiosità

testi di arrigo boito giuseppe verdi libretti d opera - Oct 22 2023

web a boito g verdi 1893 atto primo falstaff vatti con dio sta zitto o avrai le beffe quest è il consiglio mio dr cajus ripigliando  
la sfuriata contro bardolfo non è finita falstaff al diavolo dr cajus bardolfo bardolfo ser dottore dr cajus sempre con tono

**falstaff libretto di scena con annotazioni pdf uniport edu** - Nov 11 2022

web jul 9 2023 falstaff libretto di scena con annotazioni 1 5 downloaded from uniport edu ng on july 9 2023 by guest falstaff  
libretto di scena con annotazioni as recognized adventure as skillfully as experience not quite lesson amusement as capably  
as covenant can be gotten by just checking out a book falstaff libretto di scena con

**falstaff libretto di scena con annotazioni libret pdf** - Jun 06 2022

web mar 24 2023 falstaff libretto di scena con annotazioni libret 2 6 downloaded from uniport edu ng on march 24 2023 by guest with a particular focus on works of the later nineteenth century the contributors are carolyn abbate william ashbrook katherine bergeron caryl emerson nelly furman sander l gilman arthur groos

**ebook falstaff libretto di scena con annotazioni** - Jul 19 2023

web falstaff libretto di scena con annotazioni un ballo in maschera dec 16 2021 libretto d opera di un ballo in maschera versione integrale dell operan di verdi e del librettista antonio somma arricchita in appendice da un percorso di schede illustrate su storia aneddoti e curiosità

*falstaff libretto di scena con annotazioni* - Sep 09 2022

web falstaff libretto di scena con annotazioni as a result simple tebaldo e isolina melo dramma eroico in due atti da rappresentarsi nel nobilissimo teatro la fenice in venezia nel carnevale 1822 gaetano rossi dramatist 1822 music after hitler 1945 1955 toby thacker 2017 07 05

**falstaff libretto di scena con annotazioni libretti di scena** - May 17 2023

web aug 21 2019 falstaff libretto di scena con annotazioni libretti di scena italian edition verdi giuseppe boito arrigo 9781687769022 amazon com books books arts photography music enjoy fast free delivery exclusive deals and award winning movies tv shows with prime try prime and start saving today with fast free

**free falstaff libretto di scena con annotazioni libret** - Oct 10 2022

web falstaff libretto di scena con annotazioni libret ciao mi chiamo tony le storie e le traversie di un uomo segnato dal destino apr 22 2022 giocasta la giovane tragedia di scena mutabile in verse premesso un ragionamento intorno alla mutazione delle scene apr 03 2023 international music and drama mar 02 2023

**falstaff libretto di scena con annotazioni by giuseppe verdi** - Apr 04 2022

web jul 21 2023 may 25th 2020 falstaff libretto di scena con annotazioni da giuseppe verdi copertina flessibile 7 80 spedizioni da e vendute da i clienti che hanno visualizzato questo prodotto hanno anche visualizzato questi prodotti digitali bim biblioteca unale di imola lo scaffale di verdi

**falstaff libretto di scena con annotazioni by giuseppe verdi** - Dec 12 2022

web la traviata libretto di scena integrale con schede may 6th 2020 falstaff libretto di scena con annotazioni libretti di scena vol 24 di giuseppe verdi libretto integrale del falstaff di verdi e arrigo boito mutuato dal faust di goethe falstaff è l ultima opera di verdi toska tragedia e campane aracne rivista

rosie the riveter women working on the home front in world - Mar 06 2022

web rosie the riveter women working on the home front in world war ii colman penny amazon com tr *rosie the riveter on pinterest* - Nov 02 2021

web explore a hand picked collection of pins about rosie the riveter on pinterest

[rosie the riveter women working on the home front in world](#) - Jan 16 2023

web now in paperback the award winning account of how 18 million women many of whom had never before held a job entered the work force in 1942 45 to help the united states fight world war ii their unprecedented participation would change the course of history for women and america forever

*rosie the riveter women working on the home front in world* - Dec 15 2022

web rosie the riveter women working on the home front in world war ii penny colman google books penny colman crown publishers 1995 women 120 pages colman expertly explores the enormous

*rosie the riveter women working on the home front in world* - Sep 12 2022

web penny colman crown publishers 1995 women 120 pages illustrated with black and white photographs when america s men went off to war in 1942 millions of women were recruited through

**women on the home front rosie the riveter seaford** - Jan 04 2022

web name women on the home front rosie the riveter by mary lynn bushong previous to wwii most american women found there were only a few conventional job openings available to them they could be secretaries seamstresses teachers or nurses but they could not work in higher paying factories where muscle was involved

**red lips and rosie the riveter women on the home front** - Jun 09 2022

web sep 30 2022 red lips and rosie the riveter women on the home front anna foll friday sep 30th 2022 with a large group of men off to war during wwii women were joining the workforce to aid in the war effort the typical role of the american woman up to this point was to be married have children and be a homemaker while her husband was

*rosie the riveter world war ii home front national historical park* - Nov 14 2022

web rosie the riveter world war ii home front national historical park is a united states national historical park located in richmond california near san francisco

[rosie the riveter women working on the home front in world](#) - May 20 2023

web 120 pages 25 cm describes how working conditions changed during world war ii when women held many different jobs illustrated with photographs includes bibliographical references pages 110 113 and index

[rosie the riveter women working on the homefront in world](#) - Mar 18 2023

web about rosie the riveter women working on the homefront in world war ii now in paperback the award winning account of how 18 million women many of whom had never before held a job entered the work force in 1942 45

**maternal welders women s sexuality and propaganda on the home front** - Dec 03 2021

web the cover of the may 29 1943 saturday evening post depicts our most famous image of rosie the riveter a name that

came to symbolize women s crossover into male dominated industrial work during world war ii figure 1

**rosie the riveter women working on the home front in world** - Oct 01 2021

web colman expertly explores the enormous changes in the lives of women in their own homes and beyond the strengths of this book are in the happy combination of abundant primary source material a clear narrative style and effective well placed photographs an important contribution kirkus reviews pointer

**park archives rosie the riveter world war ii home front** - Apr 07 2022

web apr 13 2023 december 1941 a sudden attack on a distant us naval base transformed america overnight into the home front everything changed especially the swelling industrial workforce it included millions more minorities in particular african americans and women embodied by rosie the riveter

*history culture rosie the riveter wwii home front national* - Feb 17 2023

web rosie the riveter and her we can do it motto came to symbolize all women home front workers a shortage of white male workers led to active recruitment by the united states government to war industry jobs

*rosie the riveter real person facts norman rockwell history* - Jul 22 2023

web apr 23 2010 rosies in the workforce who was rosie the riveter wacs wasps impact of rosie the riveter rosie the riveter was the star of a campaign aimed at recruiting female workers for defense

women working on the home front in world war ii worldcat org - Jul 10 2022

web rosie the riveter women working on the home front in world war ii worldcat org author penny colman summary describes how working conditions changed during world war ii when women held many different jobs print book english 1998 edition 1st ed view all formats and editions publisher random house children s books new york

**rosie the riveter wikipedia** - Apr 19 2023

web in 1944 when victory seemed assured for the allied forces government sponsored propaganda changed by urging women back to working in the home later many women returned to traditional work such as clerical or administration positions despite their reluctance to re enter the lower paying fields

rosie the riveter women working on the home front in world - May 08 2022

web discover and share books you love on goodreads

rosie the riveter women working on the home front in world - Jun 21 2023

web feb 10 1998 now in paperback the award winning account of how 18 million women many of whom had never before held a job entered the work force in 1942 45 to help the united states fight world war ii their unprecedented participation would change the course of history for women and america forever

**rosie the riveter women working on the home front in world** - Aug 23 2023

web rosie the riveter women working on the home front in world war ii when america s men went off to war in 1942 millions of women were recruited through posters and other propaganda to work at non traditional jobs

[rosie the riveter women working on the home front in world](#) - Oct 13 2022

web war in 1942 millions of women were recruited through posters and other propaganda to work at non traditional jobs in defense plants factories offices and everywhere else workers were

**rosie the riveter women working on the home front in world** - Feb 05 2022

web aug 24 2023 rosie the riveter women working on the home front in world war ii a mighty girl home rosie the riveter women working on the home front in world war ii when america s men went off to war in 1942 millions of women were recruited through posters and other propaganda to work at non traditional jobs

[honoring rosie the riveter and the women who won the war](#) - Aug 11 2022

web march 20 2017 honoring rosie the riveter and the women who won the war credit j howard miller smithsonian national museum of american history before world war ii the prevailing view of a woman s role was that of wife and mother

**loading interface goodreads** - Jan 13 2022

*who killed king tut using modern forensics to solve a 3* - Nov 10 2021

**who killed king tut using modern forensics to solve a 3 300** - Jul 19 2022

web find helpful customer reviews and review ratings for who killed king tut using modern forensics to solve a 3 300 year old mystery at amazon com read honest and

*who killed king tut using modern forensics to solve a 3 300* - Jan 25 2023

web king michael r cooper gregory m 2 97 avg rating 65 ratings by goodreads softcover isbn 10 1591024013 isbn 13 9781591024019 publisher prometheus 2006 this

**who killed king tut using modern forensics to solve a 3 300** - Sep 20 2022

web hardcover isbn 10 1591021839 isbn 13 9781591021834 publisher prometheus books 2004 this specific isbn edition is currently not available view all copies of this isbn

[who killed king tut using modern forensics to solve a 3 300](#) - Mar 27 2023

web apr 4 2006 michael r king who killed king tut using modern forensics to solve a 3 300 year old mystery using modern forensics to solve a 3300 year old mystery

[who killed king tut using modern forensics to solve a 3 300](#) - Aug 20 2022

web tweet read later mohamed el dakhakhny ap email print time the tomb of the boy king tutankhamen created a sensation

from the moment it was uncovered in 1922

**who killed king tut using modern forensics to solve a 3** - Feb 11 2022

web those all we have enough money who killed king tut using modern forensics to solve a 3 and numerous ebook collections from fictions to scientific research in any way

**who killed king tut using modern forensics to solve a 3 paula** - Dec 12 2021

*who killed king tut using modern forensics to solve a 3 300* - Sep 01 2023

web dec 4 2009 michael r king prometheus books dec 4 2009 history 287 pages 0 reviews reviews aren t verified but google checks for and removes fake content when

who killed king tut using modern forensics to solve a 3 300 - Jun 29 2023

web who killed king tut using modern forensics to solve a 3 300 year old mystery by king michael r cooper gregory m 1954 denevi don 1937 publication date 2004

who killed king tut using modern forensics to solve a 3 2022 - Mar 15 2022

web recognizing the artifice ways to acquire this books who killed king tut using modern forensics to solve a 3 is additionally useful you have remained in right site to begin

who killed king tut using modern forensics to - Nov 22 2022

web using modern forensics to solve a 3 300 year old mystery paperback illustrated 1 june 2013 by michael r king author 4 2 out of 5 stars 12 ratings

who killed king tut using modern forensics to solve - Dec 24 2022

web apr 4 2006 using modern forensics to solve a 3 300 year old mystery using modern forensics to solve a 3300 year old mystery with new data on the egyptian ct scan

amazon com customer reviews who killed king tut using - Apr 15 2022

web discover and share books you love on goodreads

**who killed king tut using modern forensics to solve a 3 300** - Jul 31 2023

web 20 99 add to goodreads who killed king tut using modern forensics to solve a 3 300 year old mystery michael r king and gregory m cooper contributions by don

*who killed king tut using modern forensics to solve* - Feb 23 2023

web the greatest archaeological find of the 20th century and perhaps of all time was the discovery in 1922 of the tomb of the egyptian pharaoh tutankhamen untouched for

**who killed king tut using modern forensics to solve a 3 300** - May 29 2023

web who killed king tut using modern forensics to solve a 3 300 year old mystery with new data on the egyptian ct scan book  
2006 worldcat org cite export cite export

**who killed king tut time** - May 17 2022

web who killed king tut using modern forensics to solve a 3 is available in our book collection an online access to it is set as  
public so you can merely said the who

*who killed king tut using modern forensics to solve a 3 300* - Apr 27 2023

web using historical facts forensic information and archaeological evidence the authors present their thesis about who  
murdered egypt s most famous pharaoh tutankhamen

**who killed king tut using modern forensics to solve** - Oct 02 2023

web apr 4 2006 yhhworldread returns eligible for return refund or replacement within 30 days of receipt this item can be  
returned in its original condition for a full refund or

*who killed king tut using modern forensics to solve a 3300* - Jun 17 2022

web who killed king tut using modern forensics to solve a 3 3 3 from the outset behind the palace s veil of prosperity bitter  
rivalries and jealousy flourished among the boy

9781591024019 *who killed king tut using modern forensics* - Oct 22 2022

web apr 4 2006 using modern forensics to solve a 3 300 year old mystery using modern forensics to solve a 3300 year old  
mystery with new data on the egyptian ct scan