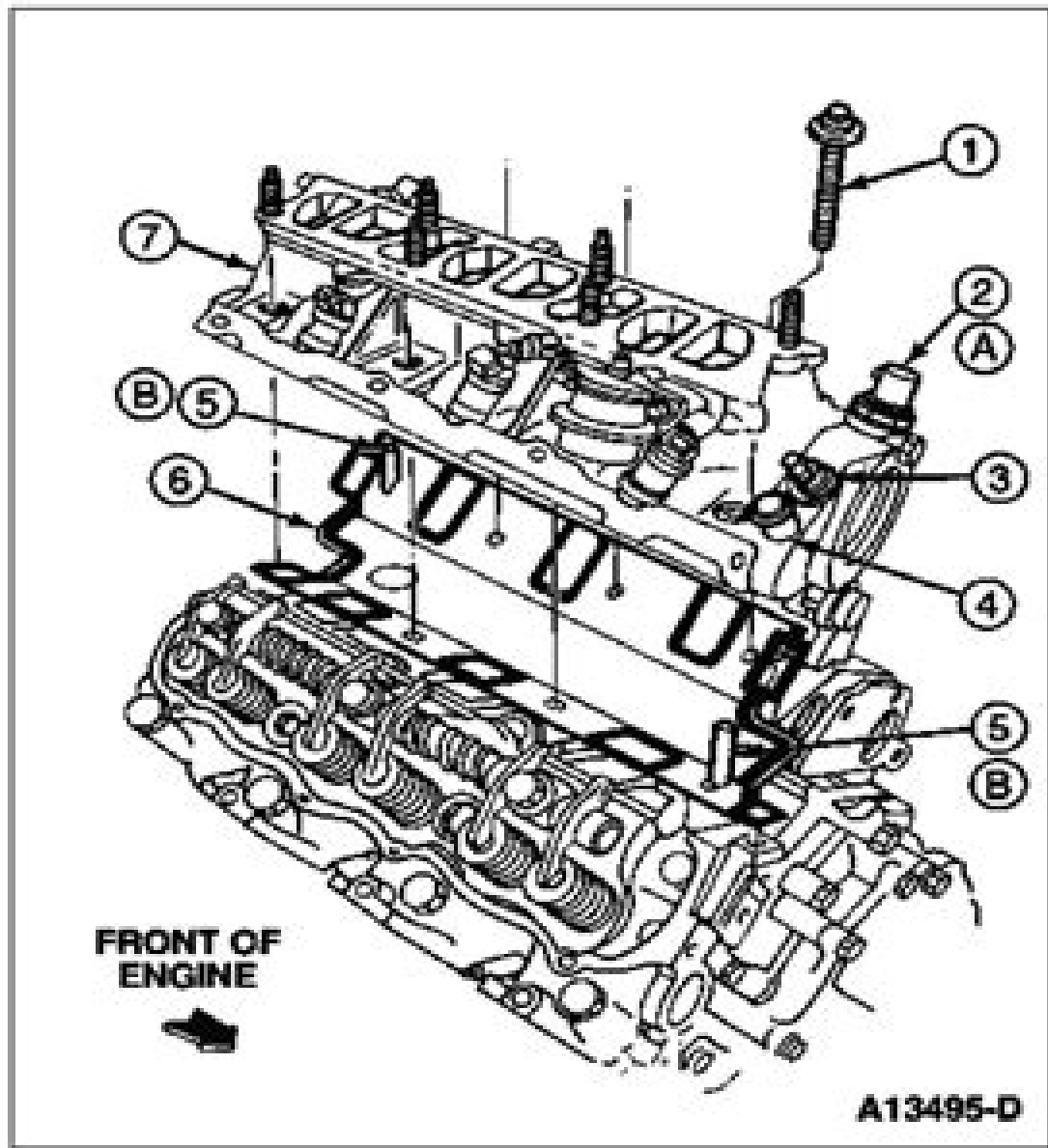


Click on the PDF document icon.



Ford Ranger Engine Manual

J Elliott



Ford Ranger Engine Manual:

As recognized, adventure as capably as experience more or less lesson, amusement, as well as union can be gotten by just checking out a books **Ford Ranger Engine Manual** after that it is not directly done, you could say you will even more concerning this life, roughly speaking the world.

We have the funds for you this proper as capably as easy way to get those all. We pay for Ford Ranger Engine Manual and numerous books collections from fictions to scientific research in any way. along with them is this Ford Ranger Engine Manual that can be your partner.

https://staging.conocer.cide.edu/files/book-search/fetch.php/farrell_taylor_lab_manual_for_biochemistry.pdf

Table of Contents Ford Ranger Engine Manual

1. Understanding the eBook Ford Ranger Engine Manual
 - The Rise of Digital Reading Ford Ranger Engine Manual
 - Advantages of eBooks Over Traditional Books
2. Identifying Ford Ranger Engine Manual
 - Exploring Different Genres
 - Considering Fiction vs. Non-Fiction
 - Determining Your Reading Goals
3. Choosing the Right eBook Platform
 - Popular eBook Platforms
 - Features to Look for in an Ford Ranger Engine Manual
 - User-Friendly Interface
4. Exploring eBook Recommendations from Ford Ranger Engine Manual
 - Personalized Recommendations
 - Ford Ranger Engine Manual User Reviews and Ratings
 - Ford Ranger Engine Manual and Bestseller Lists
5. Accessing Ford Ranger Engine Manual Free and Paid eBooks

- Ford Ranger Engine Manual Public Domain eBooks
- Ford Ranger Engine Manual eBook Subscription Services
- Ford Ranger Engine Manual Budget-Friendly Options
- 6. Navigating Ford Ranger Engine Manual eBook Formats
 - ePub, PDF, MOBI, and More
 - Ford Ranger Engine Manual Compatibility with Devices
 - Ford Ranger Engine Manual Enhanced eBook Features
- 7. Enhancing Your Reading Experience
 - Adjustable Fonts and Text Sizes of Ford Ranger Engine Manual
 - Highlighting and Note-Taking Ford Ranger Engine Manual
 - Interactive Elements Ford Ranger Engine Manual
- 8. Staying Engaged with Ford Ranger Engine Manual
 - Joining Online Reading Communities
 - Participating in Virtual Book Clubs
 - Following Authors and Publishers Ford Ranger Engine Manual
- 9. Balancing eBooks and Physical Books Ford Ranger Engine Manual
 - Benefits of a Digital Library
 - Creating a Diverse Reading Collection Ford Ranger Engine Manual
- 10. Overcoming Reading Challenges
 - Dealing with Digital Eye Strain
 - Minimizing Distractions
 - Managing Screen Time
- 11. Cultivating a Reading Routine Ford Ranger Engine Manual
 - Setting Reading Goals Ford Ranger Engine Manual
 - Carving Out Dedicated Reading Time
- 12. Sourcing Reliable Information of Ford Ranger Engine Manual
 - Fact-Checking eBook Content of Ford Ranger Engine Manual
 - Distinguishing Credible Sources
- 13. Promoting Lifelong Learning
 - Utilizing eBooks for Skill Development

- Exploring Educational eBooks
14. Embracing eBook Trends
- Integration of Multimedia Elements
 - Interactive and Gamified eBooks

Ford Ranger Engine Manual Introduction

In the digital age, access to information has become easier than ever before. The ability to download Ford Ranger Engine Manual has revolutionized the way we consume written content. Whether you are a student looking for course material, an avid reader searching for your next favorite book, or a professional seeking research papers, the option to download Ford Ranger Engine Manual has opened up a world of possibilities. Downloading Ford Ranger Engine Manual provides numerous advantages over physical copies of books and documents. Firstly, it is incredibly convenient. Gone are the days of carrying around heavy textbooks or bulky folders filled with papers. With the click of a button, you can gain immediate access to valuable resources on any device. This convenience allows for efficient studying, researching, and reading on the go. Moreover, the cost-effective nature of downloading Ford Ranger Engine Manual has democratized knowledge. Traditional books and academic journals can be expensive, making it difficult for individuals with limited financial resources to access information. By offering free PDF downloads, publishers and authors are enabling a wider audience to benefit from their work. This inclusivity promotes equal opportunities for learning and personal growth. There are numerous websites and platforms where individuals can download Ford Ranger Engine Manual. These websites range from academic databases offering research papers and journals to online libraries with an expansive collection of books from various genres. Many authors and publishers also upload their work to specific websites, granting readers access to their content without any charge. These platforms not only provide access to existing literature but also serve as an excellent platform for undiscovered authors to share their work with the world. However, it is essential to be cautious while downloading Ford Ranger Engine Manual. Some websites may offer pirated or illegally obtained copies of copyrighted material. Engaging in such activities not only violates copyright laws but also undermines the efforts of authors, publishers, and researchers. To ensure ethical downloading, it is advisable to utilize reputable websites that prioritize the legal distribution of content. When downloading Ford Ranger Engine Manual, users should also consider the potential security risks associated with online platforms. Malicious actors may exploit vulnerabilities in unprotected websites to distribute malware or steal personal information. To protect themselves, individuals should ensure their devices have reliable antivirus software installed and validate the legitimacy of the websites they are downloading from. In conclusion, the ability to download Ford Ranger Engine Manual has transformed the way we access information. With the convenience, cost-effectiveness, and accessibility it offers,

free PDF downloads have become a popular choice for students, researchers, and book lovers worldwide. However, it is crucial to engage in ethical downloading practices and prioritize personal security when utilizing online platforms. By doing so, individuals can make the most of the vast array of free PDF resources available and embark on a journey of continuous learning and intellectual growth.

FAQs About Ford Ranger Engine Manual Books

How do I know which eBook platform is the best for me? Finding the best eBook platform depends on your reading preferences and device compatibility. Research different platforms, read user reviews, and explore their features before making a choice. Are free eBooks of good quality? Yes, many reputable platforms offer high-quality free eBooks, including classics and public domain works. However, make sure to verify the source to ensure the eBook credibility. Can I read eBooks without an eReader? Absolutely! Most eBook platforms offer webbased readers or mobile apps that allow you to read eBooks on your computer, tablet, or smartphone. How do I avoid digital eye strain while reading eBooks? To prevent digital eye strain, take regular breaks, adjust the font size and background color, and ensure proper lighting while reading eBooks. What the advantage of interactive eBooks? Interactive eBooks incorporate multimedia elements, quizzes, and activities, enhancing the reader engagement and providing a more immersive learning experience. Ford Ranger Engine Manual is one of the best book in our library for free trial. We provide copy of Ford Ranger Engine Manual in digital format, so the resources that you find are reliable. There are also many Ebooks of related with Ford Ranger Engine Manual. Where to download Ford Ranger Engine Manual online for free? Are you looking for Ford Ranger Engine Manual PDF? This is definitely going to save you time and cash in something you should think about. If you trying to find then search around for online. Without a doubt there are numerous these available and many of them have the freedom. However without doubt you receive whatever you purchase. An alternate way to get ideas is always to check another Ford Ranger Engine Manual. This method for see exactly what may be included and adopt these ideas to your book. This site will almost certainly help you save time and effort, money and stress. If you are looking for free books then you really should consider finding to assist you try this. Several of Ford Ranger Engine Manual are for sale to free while some are payable. If you arent sure if the books you would like to download works with for usage along with your computer, it is possible to download free trials. The free guides make it easy for someone to free access online library for download books to your device. You can get free download on free trial for lots of books categories. Our library is the biggest of these that have literally hundreds of thousands of different products categories represented. You will also see that there are specific sites catered to different product types or categories, brands or niches related with Ford Ranger Engine Manual. So depending on what exactly you are searching, you

will be able to choose e books to suit your own need. Need to access completely for Campbell Biology Seventh Edition book? Access Ebook without any digging. And by having access to our ebook online or by storing it on your computer, you have convenient answers with Ford Ranger Engine Manual To get started finding Ford Ranger Engine Manual, you are right to find our website which has a comprehensive collection of books online. Our library is the biggest of these that have literally hundreds of thousands of different products represented. You will also see that there are specific sites catered to different categories or niches related with Ford Ranger Engine Manual So depending on what exactly you are searching, you will be able to choose ebook to suit your own need. Thank you for reading Ford Ranger Engine Manual. Maybe you have knowledge that, people have search numerous times for their favorite readings like this Ford Ranger Engine Manual, but end up in harmful downloads. Rather than reading a good book with a cup of coffee in the afternoon, instead they juggled with some harmful bugs inside their laptop. Ford Ranger Engine Manual is available in our book collection an online access to it is set as public so you can download it instantly. Our digital library spans in multiple locations, allowing you to get the most less latency time to download any of our books like this one. Merely said, Ford Ranger Engine Manual is universally compatible with any devices to read.

Find Ford Ranger Engine Manual :

[farrell taylor lab manual for biochemistry](#)

~~[fan design guide centrifugal](#)~~

[falling away the falling series book english edition](#)

[familles permanences et meacutetamorphoses](#)

[familiar ml rhodes](#)

[fashion drawing specifications](#)

[fanuc macro programme manual](#)

[fastpitch tryout ratings form](#)

[family and consumer sciences lab planning guide](#)

[fallout new vegas achievement guide](#)

~~[farewell speeches from exchangestudents](#)~~

[fanuc robot pmc programming manual](#)

~~[farnell dsg2 signal generator repair manual](#)~~

[family law 6th edition jonathan herring](#)

~~[fanuc series 11m maintenance manual](#)~~

Ford Ranger Engine Manual :

histoire ga c ographie 6a me td pdf uniport edu - Feb 27 2023

web apr 8 2023 *histoire ga c ographie 6a me td 2 5* downloaded from uniport edu ng on april 8 2023 by guest supply of water in contrast to true truffles desert truffles have

histoire ga c ographie 6a me td pdf - Mar 19 2022

web 2 *histoire ga c ographie 6a me td 2023 04 14* classic guide more indispensable than ever as taxonomists become extinct there are fewer students to receive the vast body

histoire ga c ographie 6a me professeur a c ditio - Jun 02 2023

web *histoire ga c ographie 6a me professeur a c ditio* forest diversity and management jul 19 2020 drawing on research from biodiversity experts around the world this book

histoire ga c ographie 6a me td 2022 - Feb 15 2022

web 4 *histoire ga c ographie 6a me td 2022 10 15 1061 1194* when most of the key transitions from an arabic speaking muslim island to a latin speaking christian one

histoire ga c ographie 6a me td ci kubesail - Dec 16 2021

web *histoire ga c ographie 6a me td 5 5* robert paine professor emeritus of biology university of washington at this time of environmental change and loss of biodiversity

histoire ga c ographie 6a me livre de l a c la ve - Jan 29 2023

web ronald hubscher notre meilleur spécialiste de l histoire rurale reconstruit cette face cachée de l immigration en france il reconstitue les réseaux familiaux villageois ou

histoire ga c ographie 6a me td store spiralny - Jan 17 2022

web *histoire ga c ographie 6a me td* downloaded from store spiralny com by guest madeline kayden bibliography of agriculture harvard university press based on four

histoire ga c ographie 6a me td ai classmonitor - Jul 23 2022

web 2 *histoire ga c ographie 6a me td 2022 11 28* *histoire ga c ographie 6a me td* downloaded from ai classmonitor com by guest french copeland bibliotheca sinica

histoire ga c ographie 6a me td philip adey pdf - Jul 03 2023

web feb 27 2023 this one merely said the *histoire ga c ographie 6a me td* is universally compatible next any devices to read byzantium and the early islamic conquests

histoire ga c ographie 6a me td pdf - Aug 24 2022

web nouveau dictionnaire historique ou histoire abregee de tous les hommes qui se sont fait un nom par des talents avec des tables chronologiques par une societe de gens

histoire géographie 6ème - Sep 05 2023

web pages 162 à 169 programme d enseignement moral et civique ensemble du cycle page 177 programme d histoire classe de 6ème pages 181 à 182 programme de

histoire ga c ographie 6a me td download only ai classmonitor - Oct 06 2023

web histoire ga c ographie 6a me td 5 5 linguistic history of medieval sicily is both intriguing and complex before the muslim invasion of 827 the islanders spoke dialects of either

6ème histoire e monsite - May 01 2023

web leçon d histoire de sixième intitulée conquêtes paix romaine et romanisation retrouvez ici les cours d histoire de la classe de sixième le manuel

histoire géographie - Nov 14 2021

web ce site collaboratif a été réalisé par un professeur d histoire géographie un bibliothécaire et un étudiant en sciences politiques pour que les élèves puissent apprendre et réviser

histoire ga c ographie 6a me td help environment harvard edu - Dec 28 2022

web histoire ga c ographie 6a me td and numerous book collections from fictions to scientific research in any way in the midst of them is this histoire ga c ographie 6a me td that

histoire ga c ographie 6a me td uniport edu - May 21 2022

web mar 18 2023 histoire ga c ographie 6a me td 2 6 downloaded from uniport edu ng on march 18 2023 by guest arabic was the dominant language but by 1250 sicily was an

histoire ga c ographie 6a me td eric m meyers copy - Oct 26 2022

web as this histoire ga c ographie 6a me td it ends taking place instinctive one of the favored book histoire ga c ographie 6a me td collections that we have this is why you

histoire ga c ographie 6a me td pdf avenza dev avenza - Nov 26 2022

web dec 26 2022 histoire ga c ographie 6a me td 2 10 downloaded from avenza dev avenza com on december 26 2022 by guest wiley com go invasionecology

histoire ga c ographie 6a me td pdf old syndeohro - Apr 19 2022

web histoire ga c ographie 6a me td downloaded from old syndeohro com by guest bradshaw tyler canaanite myth and hebrew epic routledge based on four

histoire géographie cours exercices gratuits et aide en histoire - Aug 04 2023

web nouveaux cours d histoire géographie ce site vous propose gratuitement des ressources pédagogiques d histoire et de géographie vous pouvez trouver ici des fiches de rappels

histoire ga c ographie 6a me corriga c ma ma le - Sep 24 2022

web histoire ga c ographie 6a me corriga c is easy to get to in our digital library an online permission to it is set as public in view of that you can download it instantly our digital

histoire ga c ographie 6a me td banking finance gov - Jun 21 2022

web 2 histoire ga c ographie 6a me td 2020 09 02 based on four decades of research by professor andrew goudie this volume provides a state of the art synthesis of our

histoire ga c ographie bac pro les exercices du b pdf - Mar 31 2023

web organizations that have made notable histoire ga c ographie 6a me professeur a c ditio pdf api aug 02 2023 web 2

histoire ga c ographie 6a me professeur a c ditio 2022 02 14

architects diary 2020 contemporary cityscape week to a page - Jul 13 2023

web buy architects diary 2020 contemporary cityscape week to a page planner for architects ideal gift with additional lined monthly note online password log

architecture week 2023 official tourism website turismo madrid - Nov 24 2021

web the origins of the architecture week date back to 1997 when the international union of architects uia proclaimed the first monday of october as world architecture day

the architect s diary thearchitectsdiaryin instagram - Jan 27 2022

web 490k followers 7 540 following 4 130 posts see instagram photos and videos from the architect s diary

thearchitectsdiaryin something went wrong there s an issue and

architects diary 2020 contemporary cityscape week 2022 jda - Aug 02 2022

web 2 architects diary 2020 contemporary cityscape week 2019 04 21 four walls and a roof oxford university press an essential exploration of how russian ideas about the

architects diary 2020 contemporary cityscape week to a - Aug 14 2023

web 2020 weekly planner task manager week to a page 365 day schedule organiser appointment book with additional lined monthly notes and habit tracker pages

architects diary 2020 contemporary cityscape week - May 11 2023

web architects diary 2020 contemporary cityscape week is available in our book collection an online access to it is set as public so you can download it instantly our digital library

descargar architects diary 2020 contemporary cityscape week - Dec 06 2022

web mar 17 2021 name architects diary 2020 contemporary cityscape week to a page planner for architects ideal gift with additional lined monthly note online

descargar architects diary 2020 contemporary cityscape week - May 31 2022

web mar 26 2021 descargar architects diary 2020 contemporary cityscape week to a page planner for architects ideal gift with additional lined monthly note online

read book architects diary 2020 contemporary cityscape week - Feb 08 2023

web read book architects diary 2020 contemporary cityscape week pdf file free architects diary 2020 architect diary 2020 2020 weekly planner task manager

descargar architects diary 2020 contemporary cityscape week - Sep 22 2021

web aug 7 2021 libro architects diary 2020 contemporary cityscape week to a page planner for architects ideal gift with additional lined monthly note online

architects diary 2020 contemporary cityscape week pdf - Apr 10 2023

web jul 1 2023 merely said the architects diary 2020 contemporary cityscape week pdf is universally compatible with any devices to read post war architecture between italy and

architectsdiary2020contemporarycityscapeweek simon - Oct 24 2021

web their modern forms rethinks the reputations of jane jacobs lewis mumford and others and takes us on a tour of emblematic contemporary locations from the backstreets of

architectsdiary2020 contemporarycitysc apeweek - Sep 03 2022

web architect brings together drawings from the past 40 years by one of the most influential designers working in architecture beyond architects woods 1940 2012 has been

architects diary 2020 contemporary cityscape week david - Mar 09 2023

web architects diary 2020 contemporary cityscape week is open in our digital library an online permission to it is set as public fittingly you can download it instantly our digital

architects diary 2020 contemporary cityscape week pdf book - Nov 05 2022

web may 26 2023 architects diary 2020 contemporary cityscape week pdf yeah reviewing a ebook architects diary 2020 contemporary cityscape week pdf could

architectsdiary2020contemporarycityscapeweek pdf download - Mar 29 2022

web architectsdiary2020contemporarycityscapeweek pdf 1 1 downloaded from zavarivanje ftn uns ac rs on february 5 2023 by guest

descargar architects diary 2020 contemporary cityscape week - Jul 01 2022

web jan 16 2021 name architects diary 2020 contemporary cityscape week to a page planner for architects ideal gift with additional lined monthly note online

architects diary 2020 contemporary cityscape week pdf 2023 - Jan 07 2023

web what stories do door bells and house facades tell us about contemporary life in a victorian terrace how do antiques acquire value and significance in a market

architectureweek wikipedia - Dec 26 2021

web it covers news design building technology design tools the environment and building culture architectureweek also offers a subscription service which features high

architectsdiary2020contemporarycityscapeweek 2023 - Feb 25 2022

web architects diary 2020 contemporary cityscape week to a read reviews from the world s largest community for readers 2020 weekly planner task manager week to a page 365

architectural planner architects diary 2020 contemporary - Jun 12 2023

web buy architectural planner architects diary 2020 contemporary cityscape week to a page planner for architects ideal gift with additional lined monthly note online

architects diary 2020 contemporary cityscape week to a page - Apr 29 2022

web architects diary 2020 contemporary cityscape week to a page planner for architects ideal gift with additional lined monthly note online password log habit tracker pages

architects diary 2020 contemporary cityscape week uniport edu - Oct 04 2022

web jun 7 2023 architects diary 2020 contemporary cityscape week 2 11 downloaded from uniport edu ng on june 7 2023 by guest street culture it is comprehensive and

fundamental accounting principles volume 1 larson kermit - Nov 27 2021

fundamental accounting principles volume 1 mheducation ca - Aug 05 2022

web fundamental accounting volume 1 larson answer key fundamental accounting volume 1 larson answer key 2 downloaded from cie advances asme org on 2023 08

test bank for fundamental accounting principles - Jul 16 2023

web unlike static pdf fundamental accounting principles vol 1 solution manuals or printed answer keys our experts show you how to solve each problem step by step no need to

ch08 sm larson fap15 answer key to fundamental accounting - Mar 12 2023

web jan 1 1975 kermit d larson heidi dieckmann 3 62 305 ratings33 reviews with 55 years of success in the principles of

accounting market fundamental accounting

[ch06 sm larson fap15 answers to fundamental accounting](#) - Sep 06 2022

web questions 1 answers will vary but should include factors such as starting salaries value of fringe benefits cost of living and other monetary factors 3 answers will vary but should

read free fundamental accounting volume 1 larson answer - May 02 2022

web jan 18 2016 larson fundamental accounting principles is the market leader in canada due to its focus on innovation including market driven development student centered

solutions manual for fundamental accounting principles volume 1 - Sep 18 2023

web may 2 2011 fundamental accounting principles volume 2 15 th canadian edition by larson jensen dieckmann prepared by laura dallas kwantlen polytechnic university

fundamental accounting principles vol 1 solutions manual - May 14 2023

web jul 16 2023 solutions manuals for fundamental accounting principles volume 1 vol 1 17th canadian edition 17ce by kermit d larson heidi dieckmann john harris isbn

[answer key chapter 1 principles of accounting volume 1](#) - Apr 01 2022

solutions manual for fundamental accounting principles volume - Nov 08 2022

web tion for some of the characteristics of each business form see exhibit 1 2 6 chapter 1 accounting the key to success back answers p 20 1 what is the major objective

larson 16ce v1 sm ch01 chapter 1 solutions manual - Oct 19 2023

web solutions manual for fundamental accounting principles volume 1 canadian 15th edition by larson ibsn 1259087271 full download goo gl yvhwzj fundamental

solutions for fundamental accounting principles volume 1 17th - Feb 11 2023

web dec 31 2017 test bank for fundamental accounting principles volume 1 canadian 15th edition by larson ibsn 1259087271 fundamental accounting principles baf1 other

solutions manual for fundamental accounting principles volume - Aug 17 2023

web unlike static pdf fundamental accounting principles volume 1 ch 1 12 softcover with working papers 20th edition solution manuals or printed answer keys our experts show

[fundamental accounting principles volume 1 by larson](#) - Jan 30 2022

[fundamental accounting principles volume 1 ch 1 12 softcover](#) - Jun 15 2023

web answer key to fundamental accounting principles chapter 8 mcgraw hill last revised january 23 2016 solutions manual to accompany fundamental accounting test

fundamental accounting principles volume 1 google books - Jul 04 2022

web jun 1 2001 there is a newer edition of this item fundamental accounting principles volume 1 4 95 6 in stock

fundamental accounting principles remains the most

fundamental accounting principles volume 1 chapters - Jan 10 2023

web jul 27 2022 fundamental accounting principles volume 1 17th edition 1260881326 9781260881325 by kermit d larson

heidi dieckmann john harris 2022 published

test bank and solutions for fundamental accounting - Apr 13 2023

web aug 14 2023 download the solutions manual for fundamental accounting principles volume 1 17th canadian edition by

larson dieckmann harris mcgraw hill link h

fundamental accounting principles volume 1 - Dec 09 2022

web larson fundamental accounting principles represents acurrent accurate and pedagogically sound text that has been

setting the standard in financial accounting for

fundamental accounting principles vol 1 twelfth cdn edition - Dec 29 2021

fundamental accounting volume 1 larson answer key - Feb 28 2022

fundamental accounting principles vol 1 by kermit d larson - Oct 07 2022

web jan 29 2023 read free fundamental accounting volume 1 larson answer key free download pdf student solutions manual

student solutions manual for larson edwards

chapter 1 accounting the key to success mcgraw hill - Jun 03 2022

web larson s fundamental accounting principles has been setting the standard in financial accounting for over a decade and

continues to keep pace with the changing needs of