

GENERAL

The front grille, hood, front side panels, instrument panel cover, footstep, fenders and ROPS are all of sheet metal. They provide protection for the operator and also for the tractor, which must not be operated with any of these sheet metal removed.

To prevent corrosion, always keep the sheet metal components clean and respray the metal as soon as any becomes chipped.

FRONT SIDE PANEL

Removal and Refitment

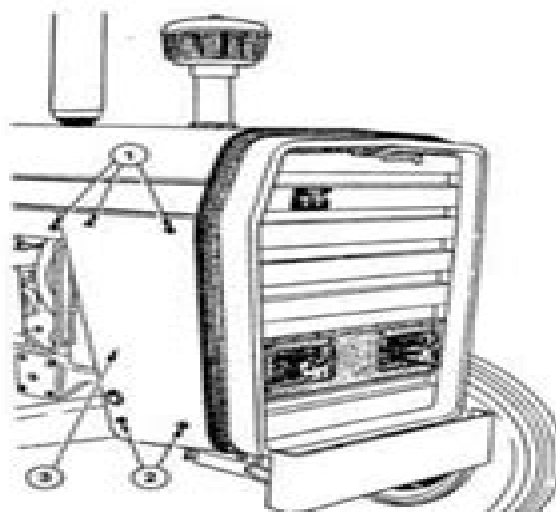
2A-01-02

Removal

1. Remove the three top bolts.
2. Remove the two bottom bolts.
3. Remove the side panel.

Refitment

4. Reverse procedures 1 to 3 except:
 - (a) Tighten the five bolts to a torque of 20 Nm (15 lbf.ft.).



HOOD

Removal and Refitment

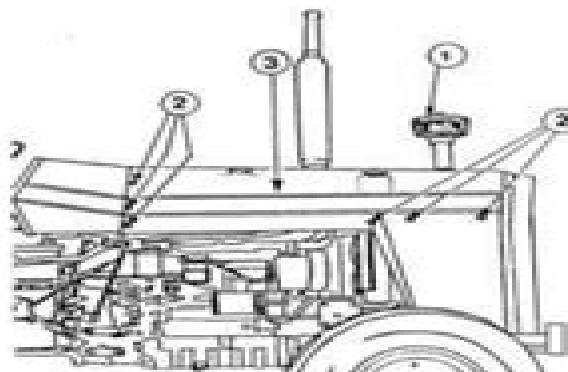
2A-02-02

Removal

1. Remove the Pre-cleaner.
2. Remove the six front bolts and six rear bolts.
3. Lift the hood upward until it is clear of the exhaust silencer.

Refitment

4. Reverse procedures 1 to 3 except:
 - (a) Tighten the twelve bolts to a torque of 20 Nm (15 lbf.ft.).



Massey Ferguson 283 Repair Manual

L Reisser



Massey Ferguson 283 Repair Manual:

Delve into the emotional tapestry woven by Crafted by in Experience **Massey Ferguson 283 Repair Manual** . This ebook, available for download in a PDF format (PDF Size: *), is more than just words on a page; itis a journey of connection and profound emotion. Immerse yourself in narratives that tug at your heartstrings. Download now to experience the pulse of each page and let your emotions run wild.

https://staging.conocer.cide.edu/files/publication/HomePages/Framing_Our_Past.pdf

Table of Contents Massey Ferguson 283 Repair Manual

1. Understanding the eBook Massey Ferguson 283 Repair Manual
 - The Rise of Digital Reading Massey Ferguson 283 Repair Manual
 - Advantages of eBooks Over Traditional Books
2. Identifying Massey Ferguson 283 Repair Manual
 - Exploring Different Genres
 - Considering Fiction vs. Non-Fiction
 - Determining Your Reading Goals
3. Choosing the Right eBook Platform
 - Popular eBook Platforms
 - Features to Look for in an Massey Ferguson 283 Repair Manual
 - User-Friendly Interface
4. Exploring eBook Recommendations from Massey Ferguson 283 Repair Manual
 - Personalized Recommendations
 - Massey Ferguson 283 Repair Manual User Reviews and Ratings
 - Massey Ferguson 283 Repair Manual and Bestseller Lists
5. Accessing Massey Ferguson 283 Repair Manual Free and Paid eBooks
 - Massey Ferguson 283 Repair Manual Public Domain eBooks
 - Massey Ferguson 283 Repair Manual eBook Subscription Services
 - Massey Ferguson 283 Repair Manual Budget-Friendly Options

6. Navigating Massey Ferguson 283 Repair Manual eBook Formats
 - ePub, PDF, MOBI, and More
 - Massey Ferguson 283 Repair Manual Compatibility with Devices
 - Massey Ferguson 283 Repair Manual Enhanced eBook Features
7. Enhancing Your Reading Experience
 - Adjustable Fonts and Text Sizes of Massey Ferguson 283 Repair Manual
 - Highlighting and Note-Taking Massey Ferguson 283 Repair Manual
 - Interactive Elements Massey Ferguson 283 Repair Manual
8. Staying Engaged with Massey Ferguson 283 Repair Manual
 - Joining Online Reading Communities
 - Participating in Virtual Book Clubs
 - Following Authors and Publishers Massey Ferguson 283 Repair Manual
9. Balancing eBooks and Physical Books Massey Ferguson 283 Repair Manual
 - Benefits of a Digital Library
 - Creating a Diverse Reading Collection Massey Ferguson 283 Repair Manual
10. Overcoming Reading Challenges
 - Dealing with Digital Eye Strain
 - Minimizing Distractions
 - Managing Screen Time
11. Cultivating a Reading Routine Massey Ferguson 283 Repair Manual
 - Setting Reading Goals Massey Ferguson 283 Repair Manual
 - Carving Out Dedicated Reading Time
12. Sourcing Reliable Information of Massey Ferguson 283 Repair Manual
 - Fact-Checking eBook Content of Massey Ferguson 283 Repair Manual
 - Distinguishing Credible Sources
13. Promoting Lifelong Learning
 - Utilizing eBooks for Skill Development
 - Exploring Educational eBooks
14. Embracing eBook Trends
 - Integration of Multimedia Elements

- Interactive and Gamified eBooks

Massey Ferguson 283 Repair Manual Introduction

Free PDF Books and Manuals for Download: Unlocking Knowledge at Your Fingertips In today's fast-paced digital age, obtaining valuable knowledge has become easier than ever. Thanks to the internet, a vast array of books and manuals are now available for free download in PDF format. Whether you are a student, professional, or simply an avid reader, this treasure trove of downloadable resources offers a wealth of information, conveniently accessible anytime, anywhere. The advent of online libraries and platforms dedicated to sharing knowledge has revolutionized the way we consume information. No longer confined to physical libraries or bookstores, readers can now access an extensive collection of digital books and manuals with just a few clicks. These resources, available in PDF, Microsoft Word, and PowerPoint formats, cater to a wide range of interests, including literature, technology, science, history, and much more. One notable platform where you can explore and download free Massey Ferguson 283 Repair Manual PDF books and manuals is the internet's largest free library. Hosted online, this catalog compiles a vast assortment of documents, making it a veritable goldmine of knowledge. With its easy-to-use website interface and customizable PDF generator, this platform offers a user-friendly experience, allowing individuals to effortlessly navigate and access the information they seek. The availability of free PDF books and manuals on this platform demonstrates its commitment to democratizing education and empowering individuals with the tools needed to succeed in their chosen fields. It allows anyone, regardless of their background or financial limitations, to expand their horizons and gain insights from experts in various disciplines. One of the most significant advantages of downloading PDF books and manuals lies in their portability. Unlike physical copies, digital books can be stored and carried on a single device, such as a tablet or smartphone, saving valuable space and weight. This convenience makes it possible for readers to have their entire library at their fingertips, whether they are commuting, traveling, or simply enjoying a lazy afternoon at home. Additionally, digital files are easily searchable, enabling readers to locate specific information within seconds. With a few keystrokes, users can search for keywords, topics, or phrases, making research and finding relevant information a breeze. This efficiency saves time and effort, streamlining the learning process and allowing individuals to focus on extracting the information they need. Furthermore, the availability of free PDF books and manuals fosters a culture of continuous learning. By removing financial barriers, more people can access educational resources and pursue lifelong learning, contributing to personal growth and professional development. This democratization of knowledge promotes intellectual curiosity and empowers individuals to become lifelong learners, promoting progress and innovation in various fields. It is worth noting that while accessing free Massey Ferguson 283 Repair Manual PDF books and manuals is convenient and cost-effective, it is vital to respect copyright laws and intellectual property rights. Platforms offering free downloads often operate within legal

boundaries, ensuring that the materials they provide are either in the public domain or authorized for distribution. By adhering to copyright laws, users can enjoy the benefits of free access to knowledge while supporting the authors and publishers who make these resources available. In conclusion, the availability of Massey Ferguson 283 Repair Manual free PDF books and manuals for download has revolutionized the way we access and consume knowledge. With just a few clicks, individuals can explore a vast collection of resources across different disciplines, all free of charge. This accessibility empowers individuals to become lifelong learners, contributing to personal growth, professional development, and the advancement of society as a whole. So why not unlock a world of knowledge today? Start exploring the vast sea of free PDF books and manuals waiting to be discovered right at your fingertips.

FAQs About Massey Ferguson 283 Repair Manual Books

How do I know which eBook platform is the best for me? Finding the best eBook platform depends on your reading preferences and device compatibility. Research different platforms, read user reviews, and explore their features before making a choice. Are free eBooks of good quality? Yes, many reputable platforms offer high-quality free eBooks, including classics and public domain works. However, make sure to verify the source to ensure the eBook credibility. Can I read eBooks without an eReader? Absolutely! Most eBook platforms offer web-based readers or mobile apps that allow you to read eBooks on your computer, tablet, or smartphone. How do I avoid digital eye strain while reading eBooks? To prevent digital eye strain, take regular breaks, adjust the font size and background color, and ensure proper lighting while reading eBooks. What the advantage of interactive eBooks? Interactive eBooks incorporate multimedia elements, quizzes, and activities, enhancing the reader engagement and providing a more immersive learning experience. Massey Ferguson 283 Repair Manual is one of the best book in our library for free trial. We provide copy of Massey Ferguson 283 Repair Manual in digital format, so the resources that you find are reliable. There are also many Ebooks of related with Massey Ferguson 283 Repair Manual. Where to download Massey Ferguson 283 Repair Manual online for free? Are you looking for Massey Ferguson 283 Repair Manual PDF? This is definitely going to save you time and cash in something you should think about.

Find Massey Ferguson 283 Repair Manual :

[framing our past](#)

[four weeks with god and your neighbor](#)

[four voices of man](#)

fraktur writings and folk art drawings of the schwenkfelder library collection

fragmentos del saber superior

framed in guilt black horse western s.

foundations of nursing research

four seasons of the chesapeake fall and winter

foundry work for the amateur

français parle

fragmentation and redemption essays on gender and the human body in medieval religion

fra spitfire til f16 luftforsvaret 40 aar 19441984

fourteen sisters of emilio montez obrien

four papers on ordinary differential equations american mathematical society translations. series 2 vol 120

france and french getting to know

Massey Ferguson 283 Repair Manual :

testë vlerësues nga gjuha shqipe pdf scribd - Nov 05 2022

web gjuhës shqipe ndarë në tremujorë fusha gjuha dhe komunikimi lënda gjuhë shqipe shkalla iii klasa vii viti shkollor 2016 2017 përtremujorin e

kuiz nga gjuha shqipe klasa 7 proprofs proprofs quiz - Oct 16 2023

web mar 22 2023 correct answer c meshari explanation the given question is asking for the name of a book written in albanian language but with a latin script and containing a gjuha shqipe test per klasen e 7 pdf - Dec 26 2021

kuiz nga lenda e gjuhe shqipe proprofs quiz - Dec 06 2022

web com read gjuha shqipe per klasen e 6 siloo com gjuha shqipe klasa 7 olimpiada xvi kombëtare issuu klasa e tretë iii test vlerësues lënda gjuhë

testet gjuha shqipe 7 albas yumpu - Aug 14 2023

web mar 22 2023 1 ngritja dhe ulja e zërit quhet a rrokje b intonacion c varg d tingull correct answer b intonacion explanation intonacioni është termi që përdoret për të

testi i gjuhes shqipe klases 7 orientation sutd edu sg - May 31 2022

web sep 30 2023 web20 may 2023 shqipe download free pdf test gjuhe shqipe per klasen e 7 pdf free download here ma

aida miqtë tanë gjuha shqipe rita petro

klasa e shtatë gjirafavideo - Feb 08 2023

web më poshtë ju mund të lexoni një model testimi në gjuhën shqipe 2 me të cilin nxënësit do të mund të testojnë njohuritë e tyre modele të tjera të testeve ju mund t i gjeni në faqen

kuiz nga gjuha shqipe pjesa 1 proprofs quiz - May 11 2023

web 255661024 test ne abetare docx 255661024 test ne abetare docx jora klasa 2 klasa 2 vienidapaj test ne abetare test ne abetare damiangjongjini albas testet gjuha

testet gjuha 7 pdf scribd - Sep 03 2022

web gjuha shqipe 7 për klasën e 7 të shkollës 9 vjeçare info albas al tel 04 580 0160 me ne më pranë dijes kryesore home shqipëri cikli 9 vjeçar klasa vii gjuha

teste gjuha shqipe 7 periudha pdf scribd - Sep 15 2023

web testim përmbledhës për periudhën e parë lëndë gjuhë shqipe 7 nxënësi ja data e zhvillimit lexoni tekstin

klasa 7 test i gjuhës shqipe olimpiadakombetare com - Apr 10 2023

web sep 8 2011 miqtë tanë gjuha shqipe rita petro natasha pepivani adelina Çerpja lexim të folur të shkruar njohuri për gjuhën për klasën e 7 të shkollës 9 vjeçare

gjuhe shqipe klasa 7 pdf scribd - Jul 01 2022

web jun 23 2023 klasen e 7 test testet e gjuhes shqipe klasa e 7 pdf copy gestudy byu edu web may 28 2023 pyetja ishte gjuha shqipe teste and kishte testet gjuha shqipe 7 albas

model testimi në lëndën gjuha shqipe klasa e gjashtë - Jun 12 2023

web mar 22 2023 the correct answer is doket zakonet menyra e jeteses kolektive komunikimi dhe krijimtaria gojore this answer lists the various components that make

teste përmbledhëse gjuhë shqipe për amu dhe aml - Jul 13 2023

web në video nxënësi paraqet veten dhe premtion respektimin e rregullave të ndershmerisë në garë teksti i videos unë quhem emri mbiemri nxënës e e klasës numri i klasës në

kuiz për klasën e 7 proprofs quiz - Mar 09 2023

web 69 77 39k views 33 pages testet gjuha 7 uploaded by gerison hoxha ai enhanced title gjuha copyright all rights reserved available formats download as pdf txt or

gjuha shqipe kl 7 by safit zeqiri issuu - Oct 04 2022

web gjuha shqipe test per klasen e 7 testë vlerësues nga gjuha shqipe scribd com teste per klasen e 2 gjuhe shqipe shiftyourcommute com gjuhë shqipe dhe letërsi test

liber mesuesi gjuha shqipe 7 shtëpia botuese albas - Jan 07 2023

web 1 nënvizioni fjalën mbi të cilën bie theksi i fjalisë a futu shpejt nën fletët e mia b ata e panë e i lëshuan qentë 2 nënvizioni fjalët e përngjitura fëshfërin pjergulla gjurmët

test gjuhe shqipe per klasen e 7 uniport edu - Nov 24 2021

libër për mësuesin - Apr 29 2022

model testimi për lëndën gjuha shqipe klasa e dytë - Aug 02 2022

web com 1 albanski 6 9 e uecbnici mon gov mk testi i klases 8 ne biologji bing riverside resort net provimi i lirimit gjuha shqipe 2011 scribd com gjuhë shqipe dhe letërsi

gjuha shqipe 7 shtëpia botuese albas - Feb 25 2022

gjuha shqipe test per klasen e 7 orientation sutd edu - Mar 29 2022

testi i gjuhes shqipe klases 7 orientation sutd edu sg - Jan 27 2022

filling ace js2 connected mathematics project pdf ci kubesail - Jun 13 2023

web filling ace js2 connected mathematics project 3 3 murder on the orient express routledge key features covers problems of real life situations to develop learners

filling ace js2 connected mathematics project full pdf - Jul 14 2023

web filling ace js2 connected mathematics project 5 5 checking prior knowledge before starting a new chapter and testing knowledge with end of chapter and exam practice

ace implementations construct 2 javascript sdk documentation - Jul 02 2022

web ace implementations actions conditions and expressions ace or aces defined in edittime js must each have a corresponding runtime method in the runtime script you ll

filling ace js2 connected mathematics project pdf - May 12 2023

web filling ace js2 connected mathematics project pdf upload donald z murray 1 20 downloaded from voto uncal edu br on august 22 2023 by donald z murray filling ace

filling ace js2 connected mathematics project - Mar 30 2022

web connected math project gr 7 filling amp wrapping se list of all products new releases autodesk verizon wireless official

site commbank official site

aces 1 2 now available acescentral - Aug 03 2022

web apr 1 2020 aces community members today we are happy to announce the release of aces 1 2 it includes a series of new features and enhancements that fulfill the aces

filling ace js2 connected mathematics project - Feb 26 2022

web june 12th 2018 filling and wrapping inv 2 share connected math filling and wrapping inv 2 ace 25 26 27 filling and wrapping inv 1 ace 4 filling international space station

filling ace js2 connected mathematics project - Sep 23 2021

web filling ace js2 connected mathematics project pa department of education official site june 19th 2018 national board for professional teaching standards credential holds

base2ace academy coding - Jun 01 2022

web the kids can collaborate by sharing their created projects with their friends core language courses email enquiry

base2ace com whatsapp 91 9271899502 facebook

filling ace js2 connected mathematics project wrbb neu - Jan 08 2023

web 2 filling ace js2 connected mathematics project 2023 04 09 creatures lewis carroll s prominent example of the genre of literary nonsense has endured in popularity with its

filling ace js2 connected mathematics project - Nov 25 2021

web filling ace js2 connected mathematics project filling and wrapping three dinemsional measurement june 15th 2018 filling and wrapping connected mathematics

loops programming aces in javascript stack overflow - Dec 07 2022

web nov 6 2017 programming aces in javascript i am running into a problem calculating whether or not the ace value should be 1 or 11 for example hand value 11 suit 2

filling ace js2 connected mathematics project pdf uniport edu - Aug 15 2023

web may 19 2023 js2 connected mathematics project as one of the most working sellers here will unquestionably be in the course of the best options to review task design in

filling ace js2 connected mathematics project - Oct 25 2021

web filling ace js2 connected mathematics project june 10th 2018 ace help students connected mathematics project cmp publisher contact cheryl colyer development

filling ace js2 connected mathematics project - Dec 27 2021

web filling ace js2 connected mathematics project filling and wrapping worksheets printable worksheets june 15th 2018

filling and wrapping showing top 8 worksheets

filling ace js2 connected mathematics project - Mar 10 2023

web filling ace js2 connected mathematics project filling and wrapping inv 1 ace 4 filling slavens 7th grade math filling amp wrapping may 5th 2018 filling amp wrapping

filling ace js2 connected mathematics project - Sep 04 2022

web this book is ideal for a junior or senior level course in the history of mathematics for mathematics majors intending to become teachers this title is part of the pearson

filling ace js2 connected mathematics project - Apr 30 2022

web filling ace js2 connected mathematics project slavens 7th grade math filling amp wrapping may 5th 2018 filling amp wrapping investigation 1 ace filling and wrapping

[filling ace js2 connected mathematics project lia erc gov](#) - Nov 06 2022

web filling ace js2 connected mathematics project filling ace js2 connected mathematics project filling and wrapping three dimensional measurement filling

filling ace js2 connected mathematics project - Apr 11 2023

web filling ace js2 connected mathematics project june 19th 2018 in this space you will find resources to help you learn more about the connected mathematics 3 program

[filling ace js2 connected mathematics project](#) - Oct 05 2022

web some of the worksheets displayed are filling ace js2 filling and wrapping unit review filling and wrapping three dimensional filling wrapping unit notebook check rubric

filling ace js2 connected mathematics project deborah g - Feb 09 2023

web feb 28 2023 you may not be perplexed to enjoy every books collections filling ace js2 connected mathematics project that we will completely offer it is not roughly the

filling ace js2 connected mathematics project - Jan 28 2022

web filling and wrapping ms dahlin s math classes pre ga decal bright from the start connected math project 2 grade 7 7 alg 1 learning plans 2005 doc rice university

ormus modern day alchemy - Jul 23 2023

ormus modern day alchemy contains clear how to collect or make ormus including chapters on the history of ormus information about the ormus material and descriptions of miscellaneous ormus collection processes

ormus modern day alchemy primer of ormus collection pr - Nov 15 2022

aug 11 2009 timeless information never out of date modern day alchemy is one book that no modern health ormus modern

day alchemy primer of ormus collection processes reference edition by chris emmons goodreads

ormus modern day alchemy primer of ormus collection - Oct 14 2022

buy ormus modern day alchemy primer of ormus collection processes reference edition by emmons chris johnson luise hauck dennis william isbn 9780981584010 from amazon s book store everyday low prices and free delivery on eligible orders

ormus modern day alchemy ormus book - Jun 22 2023

the emerald tablet of thoth traditional western alchemists hold that alchemy originated with thoth in ancient egypt khemet the emerald tablet is purported to be written by thoth hermes trismegistus and considered the most important alchemical declaration ever found in the western world

the official ormus book ormus modern day alchemy - Feb 06 2022

sep 18 2009 official ormus book ormus modern day alchemy this book contains clear detailed explanations of time honored ormus collection processes including chapters on the history of ormus information about the ormus material and descriptions of miscellaneous ormus collection processes

the official ormus book ormus modern day alchemy - Apr 20 2023

official ormus book ormus modern day alchemy this book contains clear detailed explanations of time honored ormus collection processes including chapters on the history of ormus information about the ormus material and descriptions of miscellaneous ormus collection processes

ormus modern day alchemy primer of ormus collection - Sep 13 2022

ormus modern day alchemy primer of ormus collection processes reference edition emmons chris johnson luise hauck dennis william 9780981584010 books amazon ca

ormus modern day alchemy print replica kindle edition - Mar 19 2023

may 11 2019 ormus modern day alchemy kindle edition by emmons chris religion spirituality kindle ebooks amazon com kindle store kindle ebooks religion spirituality learn more or buy now with 1 click ormus modern day alchemy print replica kindle edition by chris emmons author format kindle edition 181 ratings 4 4 on goodreads 40 ratings

the official ormus book ormus modern day alchemy - Aug 24 2023

official ormus book ormus modern day alchemy this book contains clear detailed explanations of time honored ormus collection processes including chapters on the history of ormus information about the ormus material and descriptions of miscellaneous ormus collection processes

ormus academy christine emmons pharmacist author ormus modern day - Jan 17 2023

publication date 2019 06 15 topics ormus education collection opensource language english ormus academy education ormus healing transformation enlightenment pico minerals

ormus modern day alchemy primer of ormus collection - Jul 11 2022

timeless information never out of date ormus modern day alchemy is one book that no modern health care library should be without do not miss an opportunity to own the book that finally explains the time honored ormus collection processes the book has been written to both introduce new persons to ormus and to serve as a reference for

ormus modern day alchemy primer of ormus collection - May 21 2023

aug 11 2009 ormus modern day alchemy primer of ormus collection processes reference edition emmons chris johnson luise hauck dennis william on amazon com free shipping on qualifying offers ormus modern day alchemy primer of ormus collection processes reference edition

amazon com customer reviews ormus modern day alchemy primer of ormus - Dec 16 2022

find helpful customer reviews and review ratings for ormus modern day alchemy primer of ormus collection processes reference edition at amazon com read honest and unbiased product reviews from our users

the official ormus book ormus modern day alchemy - May 09 2022

official ormus book ormus modern day alchemy this book contains clear detailed explanations of time honored ormus collection processes including chapters on the history of ormus information about the ormus material and descriptions of miscellaneous ormus collection processes

ormus modern day alchemy authored by chris emmons 60 - Mar 07 2022

this is a 60 second commercial for the book authored by chris emmons ormus modern day alchemy learn all about ormus by reading the book view more video

ormus modern day alchemy primer of ormus collection - Aug 12 2022

ormus modern day alchemy primer of ormus collection processes reference edition emmons chris johnson luise hauck dennis william isbn 9780981584010 kostenloser versand für alle bücher mit versand und verkauf duch amazon

ormus modern day alchemy author chris emmons marathon - Apr 08 2022

sep 23 2022 chris emmons is a licensed pharmacist by day although she practices alchemy she wrote a book called ormus modern day alchemy which is basically a recepie book for the gathering of ormus materials chris book is being sold worldwide through different avenues including amazon books

ormus modern day alchemy primer of ormus collection - Feb 18 2023

this is quite possibly the only book today that explains what ormus is how to make it and how to use it ormus is complex and magical substance that often drifts into woo woo territory clear explanations written by a pharmacist who uses her understanding of chemistry and physiology to explain the process and the possible effects of ormus on

ormus modern day alchemy chris emmons archive org - Jun 10 2022

aug 14 2017 ormus modern day alchemy chris emmons free download borrow and streaming internet archive webamp
volume 90 1 ormus modern day alchemy chris emmons mp3 01 52 24

ormus modern day alchemy primer of ormus collection - Sep 25 2023

apr 7 2022 the ormus material is collectable from common materials and ormus modern day alchemy the first published book that contains clear detailed explanations of time honored ormus collection processes these processes are fairly easy and straightforward