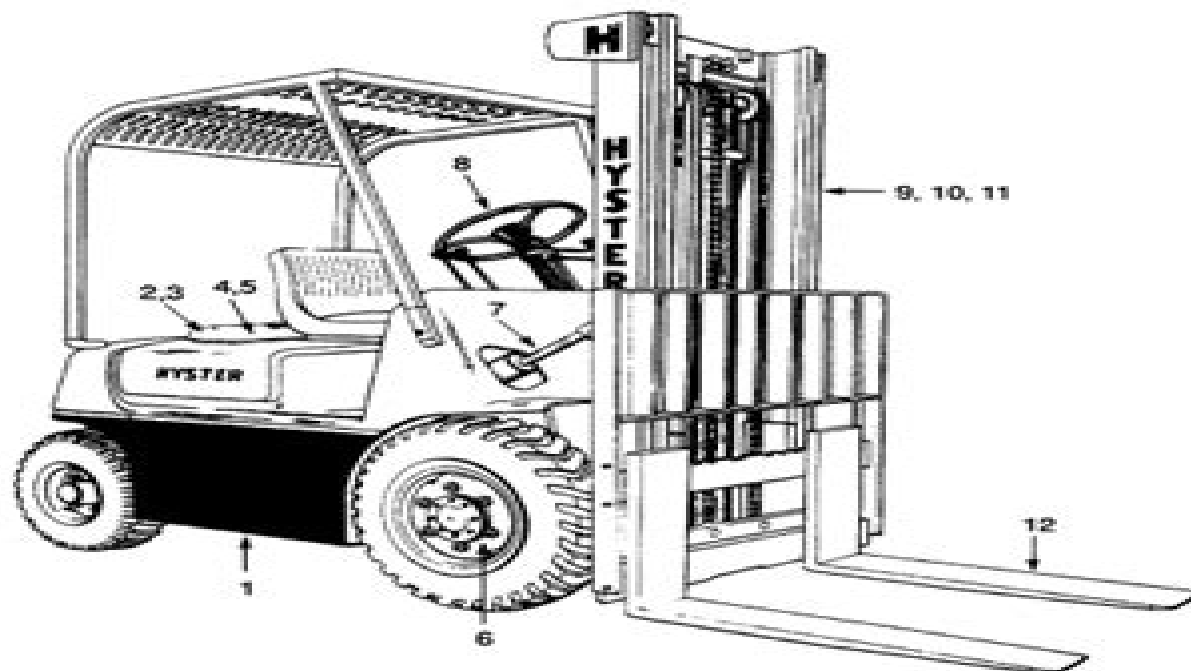


## ILLUSTRATED CONTENTS



REF	SECTION	PAGE
1	FRAME .....	Page 3
2	ENGINE .....	Page 15
3	FUEL SYSTEM .....	Page 63
4	ELECTRICAL SYSTEM .....	Page 91
5	TRANSMISSION AND CLUTCH .....	Page 107
6	BRAKE .....	Page 131
7	HYDRAULIC SYSTEM .....	Page 141
8	STEERING SYSTEM .....	Page 161
9	FULL FREE-LIFT MAST .....	Page 181
10	INTERMEDIATE FREE-LIFT MAST .....	Page 169
11	THREE STAGE MAST .....	Page 195
12	OPTIONAL .....	Page 213
--	NUMERIC INDEX .....	Page 235

# Hyster 40 Service Manual

**Judd E. Hollander**



**Hyster 40 Service Manual:**

## Embracing the Track of Expression: An Psychological Symphony within **Hyster 40 Service Manual**

In some sort of eaten by screens and the ceaseless chatter of immediate communication, the melodic beauty and mental symphony produced by the prepared word often fade in to the back ground, eclipsed by the relentless sound and distractions that permeate our lives. However, located within the pages of **Hyster 40 Service Manual** a charming fictional treasure overflowing with organic feelings, lies an immersive symphony waiting to be embraced. Constructed by an elegant composer of language, that fascinating masterpiece conducts readers on a mental trip, skillfully unraveling the concealed tunes and profound impact resonating within each carefully constructed phrase. Within the depths of the poignant assessment, we will explore the book is key harmonies, analyze its enthralling publishing type, and submit ourselves to the profound resonance that echoes in the depths of readers souls.

[https://staging.conocer.cide.edu/data/publication/default.aspx/hsl\\_seleksi\\_tahap\\_2\\_osn\\_sd\\_propinsi\\_jateng.pdf](https://staging.conocer.cide.edu/data/publication/default.aspx/hsl_seleksi_tahap_2_osn_sd_propinsi_jateng.pdf)

### **Table of Contents Hyster 40 Service Manual**

1. Understanding the eBook Hyster 40 Service Manual
  - The Rise of Digital Reading Hyster 40 Service Manual
  - Advantages of eBooks Over Traditional Books
2. Identifying Hyster 40 Service Manual
  - Exploring Different Genres
  - Considering Fiction vs. Non-Fiction
  - Determining Your Reading Goals
3. Choosing the Right eBook Platform
  - Popular eBook Platforms
  - Features to Look for in an Hyster 40 Service Manual
  - User-Friendly Interface
4. Exploring eBook Recommendations from Hyster 40 Service Manual
  - Personalized Recommendations

- Hyster 40 Service Manual User Reviews and Ratings
- Hyster 40 Service Manual and Bestseller Lists
- 5. Accessing Hyster 40 Service Manual Free and Paid eBooks
  - Hyster 40 Service Manual Public Domain eBooks
  - Hyster 40 Service Manual eBook Subscription Services
  - Hyster 40 Service Manual Budget-Friendly Options
- 6. Navigating Hyster 40 Service Manual eBook Formats
  - ePub, PDF, MOBI, and More
  - Hyster 40 Service Manual Compatibility with Devices
  - Hyster 40 Service Manual Enhanced eBook Features
- 7. Enhancing Your Reading Experience
  - Adjustable Fonts and Text Sizes of Hyster 40 Service Manual
  - Highlighting and Note-Taking Hyster 40 Service Manual
  - Interactive Elements Hyster 40 Service Manual
- 8. Staying Engaged with Hyster 40 Service Manual
  - Joining Online Reading Communities
  - Participating in Virtual Book Clubs
  - Following Authors and Publishers Hyster 40 Service Manual
- 9. Balancing eBooks and Physical Books Hyster 40 Service Manual
  - Benefits of a Digital Library
  - Creating a Diverse Reading Collection Hyster 40 Service Manual
- 10. Overcoming Reading Challenges
  - Dealing with Digital Eye Strain
  - Minimizing Distractions
  - Managing Screen Time
- 11. Cultivating a Reading Routine Hyster 40 Service Manual
  - Setting Reading Goals Hyster 40 Service Manual
  - Carving Out Dedicated Reading Time
- 12. Sourcing Reliable Information of Hyster 40 Service Manual
  - Fact-Checking eBook Content of Hyster 40 Service Manual

- 
- Distinguishing Credible Sources
13. Promoting Lifelong Learning
    - Utilizing eBooks for Skill Development
    - Exploring Educational eBooks
  14. Embracing eBook Trends
    - Integration of Multimedia Elements
    - Interactive and Gamified eBooks

## **Hyster 40 Service Manual Introduction**

Free PDF Books and Manuals for Download: Unlocking Knowledge at Your Fingertips In today's fast-paced digital age, obtaining valuable knowledge has become easier than ever. Thanks to the internet, a vast array of books and manuals are now available for free download in PDF format. Whether you are a student, professional, or simply an avid reader, this treasure trove of downloadable resources offers a wealth of information, conveniently accessible anytime, anywhere. The advent of online libraries and platforms dedicated to sharing knowledge has revolutionized the way we consume information. No longer confined to physical libraries or bookstores, readers can now access an extensive collection of digital books and manuals with just a few clicks. These resources, available in PDF, Microsoft Word, and PowerPoint formats, cater to a wide range of interests, including literature, technology, science, history, and much more. One notable platform where you can explore and download free Hyster 40 Service Manual PDF books and manuals is the internet's largest free library. Hosted online, this catalog compiles a vast assortment of documents, making it a veritable goldmine of knowledge. With its easy-to-use website interface and customizable PDF generator, this platform offers a user-friendly experience, allowing individuals to effortlessly navigate and access the information they seek. The availability of free PDF books and manuals on this platform demonstrates its commitment to democratizing education and empowering individuals with the tools needed to succeed in their chosen fields. It allows anyone, regardless of their background or financial limitations, to expand their horizons and gain insights from experts in various disciplines. One of the most significant advantages of downloading PDF books and manuals lies in their portability. Unlike physical copies, digital books can be stored and carried on a single device, such as a tablet or smartphone, saving valuable space and weight. This convenience makes it possible for readers to have their entire library at their fingertips, whether they are commuting, traveling, or simply enjoying a lazy afternoon at home. Additionally, digital files are easily searchable, enabling readers to locate specific information within seconds. With a few keystrokes, users can search for keywords, topics, or phrases, making research and finding relevant information a breeze. This efficiency saves time and effort, streamlining the learning process and allowing individuals to focus on extracting the information they

---

need. Furthermore, the availability of free PDF books and manuals fosters a culture of continuous learning. By removing financial barriers, more people can access educational resources and pursue lifelong learning, contributing to personal growth and professional development. This democratization of knowledge promotes intellectual curiosity and empowers individuals to become lifelong learners, promoting progress and innovation in various fields. It is worth noting that while accessing free Hyster 40 Service Manual PDF books and manuals is convenient and cost-effective, it is vital to respect copyright laws and intellectual property rights. Platforms offering free downloads often operate within legal boundaries, ensuring that the materials they provide are either in the public domain or authorized for distribution. By adhering to copyright laws, users can enjoy the benefits of free access to knowledge while supporting the authors and publishers who make these resources available. In conclusion, the availability of Hyster 40 Service Manual free PDF books and manuals for download has revolutionized the way we access and consume knowledge. With just a few clicks, individuals can explore a vast collection of resources across different disciplines, all free of charge. This accessibility empowers individuals to become lifelong learners, contributing to personal growth, professional development, and the advancement of society as a whole. So why not unlock a world of knowledge today? Start exploring the vast sea of free PDF books and manuals waiting to be discovered right at your fingertips.

### **FAQs About Hyster 40 Service Manual Books**

How do I know which eBook platform is the best for me? Finding the best eBook platform depends on your reading preferences and device compatibility. Research different platforms, read user reviews, and explore their features before making a choice. Are free eBooks of good quality? Yes, many reputable platforms offer high-quality free eBooks, including classics and public domain works. However, make sure to verify the source to ensure the eBook credibility. Can I read eBooks without an eReader? Absolutely! Most eBook platforms offer web-based readers or mobile apps that allow you to read eBooks on your computer, tablet, or smartphone. How do I avoid digital eye strain while reading eBooks? To prevent digital eye strain, take regular breaks, adjust the font size and background color, and ensure proper lighting while reading eBooks. What the advantage of interactive eBooks? Interactive eBooks incorporate multimedia elements, quizzes, and activities, enhancing the reader engagement and providing a more immersive learning experience. Hyster 40 Service Manual is one of the best book in our library for free trial. We provide copy of Hyster 40 Service Manual in digital format, so the resources that you find are reliable. There are also many Ebooks of related with Hyster 40 Service Manual. Where to download Hyster 40 Service Manual online for free? Are you looking for Hyster 40 Service Manual PDF? This is definitely going to save you time and cash in something you should think about.

---

**Find Hyster 40 Service Manual :**

**hsl seleksi tahap 2 osn sd propinsi jateng**

[human anatomy physiology exam study guide](#)

**hse manual handling poster**

*human anatomy physiology lab manual 2nd edition*

[huawei u8510 1 user guide](#)

*htc tablet manual*

**htc wildfire user guide**

**hsdsp226a owner manual**

*ht24 onity encoder manual*

**hull maintenance technician manual book**

[htc manual firmware update](#)

*huawei cr52 8xpos stm1 sfp owners manual*

**hsc suggestion for dhaka board 2014 bm**

[human biology lab manual answers mader 13](#)

[http reviews cnet com desktop computer buying guide](#)

**Hyster 40 Service Manual :**

**bulletin board kit medical etsy** - Apr 11 2023

web bulletin board kit medical 1 38 of 38 results price shipping all sellers healthcare bulletin board borders 3 9k 3 75 nurse push pin set of 15 3 each stethoscope lab coat 1st aid kit shot nursing student gift mix

**medical bulletin boards etsy** - Jun 13 2023

web medical bulletin boards 1 60 of 116 results price shipping all sellers heartbeat die cuts 24pc set choose your size color bulletin boards scrapbooks paper crafts gift tags card making 761 2 48 healthcare heroes medical workers health science bulletin board kit 4 3k 6 00

*health bulletin board ideas supplyme* - Apr 30 2022

web bulletin board borders bulletin board letters bulletin board paper bulletin board sets bulletin board storage walls ceiling windows posters charts banners chalkboard toppers two sided decorations window clings whiteboard decorations magnetic accents magnetic borders magnetic letters magnetic labels name tags



---

**medical record pictures images and stock photos** - Jun 01 2022

web medical tech science innovative iot global healthcare ai technology world health day with doctor on telehealth telemedicine service analyzing online on ehr emr patient digita data on tablet in lab medical tech science innovative iot global healthcare ai technology world health day with doctor on telehealth telemedicine service analyzing online on ehr *medical bulletin board etsy* - Mar 10 2023

web riddles printable bulletin board interactive bulletin board back to school bulletin board ideas classroom decor class decor riddles

**20 best medical records books of all time bookauthority** - Dec 27 2021

web the 20 best medical records books such as my puppy book cat medical records chemo medical records and just a girl who loves cats we use cookies to improve your experience learn more

hospital bulletin board ideas on pinterest - Jul 02 2022

web explore a hand picked collection of pins about hospital bulletin board ideas on pinterest

**health office bulletin board ideas pinterest** - Feb 09 2023

web jun 26 2017 explore bekah russell s board health office bulletin board ideas followed by 116 people on pinterest see more ideas about school nurse office office bulletin boards nurse bulletin board

**bulletin board materials cornell health** - Mar 30 2022

web health well being bulletin boards the following bulletin boards were created for use by student staff members in residential and new student programs and the west

medical bulletin board ideas on pinterest - Aug 15 2023

web 35 medical bulletin board ideas in 2023 nurse bulletin board school nurse office health bulletin boards

*hospital bulletin boards on pinterest* - Sep 04 2022

web 63 hospital bulletin boards ideas bulletin boards bulletin nurse bulletin board

medical records gifs find share on giphy - Feb 26 2022

web find gifs with the latest and newest hashtags search discover and share your favorite medical records gifs the best gifs are on giphy

*health science bulletin board ideas sc hosa* - Jan 28 2022

web sep 11 2019 a future in health care build a future could it be fishing for answers fortune cookies gestures give yourself a gift go the distance health career want ads how to choose a career it s a jungle move into the millennium prime experience reggae super salaries tidbits who do you see health science bulletin board ideas by

hospital bulletin board etsy - Aug 03 2022

---

web hospital bulletin board 1 49 of 49 results price shipping all sellers new year bulletin board kit new year goals bulletin board kit reach for the stars bulletin school bulletin board decor new year bulletin 261 7 50 healthcare bulletin board borders 4 4k 3 75

[bulletin boards for my clinic on pinterest](#) - Oct 05 2022

web 120 bulletin boards for my clinic ideas in 2023 bulletin boards school bulletin boards school nurse office

[medical records bulletin board etsy uk](#) - May 12 2023

web check out our medical records bulletin board selection for the very best in unique or custom handmade pieces from our shops

[130 medical bulletin board ideas bulletin school nurse office](#) - Jan 08 2023

web jun 29 2022 explore anemkii kwa s board medical bulletin board followed by 915 people on pinterest see more ideas about bulletin school nurse office nurse bulletin board

**medical bulletin board stock design images pikbest** - Jul 14 2023

web pikbest have found 163005 design images templates for personal commercial usable to learn more medical bulletin board templates graphics or background vector files for designing free download for you in the form of psd png eps or ai please visit pikbest

**110 medical records organization ideas in 2023 pinterest** - Nov 06 2022

web 110 medical records organization ideas in 2023 medical records medical medical binder medical records organization 112 pins 6w 5 collection by jan garcia similar ideas popular now medical home management binder household binder school paper organization organizing tools receipt organization sticker organization life

**healthcare bulletin board etsy** - Dec 07 2022

web healthcare bulletin board 1 57 of 57 results price shipping all sellers healthcare bulletin board borders 4 4k 3 75 school nurse bundle printable bulletin board

**chapter 6 solutions financial accounting theory 7th edition** - Jan 27 2022

web aug 18 2023 accounting theory scott 6th edition solutions and numerous books collections from fictions to scientific research in any way among them is this financial

**financial accounting theory scott 6th edition solutions pdf sql1** - Jan 07 2023

web mar 26 2023 read online financial accounting theory scott 6th edition solutions free download pdf outlines and highlights for financial accounting theory by

[william r scott solution manual for financial accounting](#) - Feb 25 2022

web access financial accounting theory 7th edition chapter 6 solutions now our solutions are written by chegg experts so you

can be assured of the highest quality

[pdf instructor s solutions manual for](#) - Apr 10 2023

web all the test bank and textbook solutions you need solutionmanual8 solution for you

[financial accounting theory scott 6th edition solutions](#) - Dec 26 2021

web may 1 2006 5 financial accounting theory 11 may 2006 prentice hall paperback in english 4th edition 0131294911 9780131294912 zzzz not in library libraries near

[pdf solutions manual financial accounting theory 7th edition](#) - Apr 29 2022

web aug 5 2023 financial accounting theory scott 6th edition solutions 1 6 downloaded from uniport edu ng on august 5 2023 by guest financial accounting theory scott

[financial accounting theory solution manual chegg com](#) - Aug 14 2023

web get instant access to our step by step financial accounting theory solutions manual our solution manuals are written by chegg experts so you can be assured of the

**financial accounting theory scott 6th edition solutions pdf copy** - Nov 05 2022

web feb 14 2023 financial accounting theory 6th edition scott pdf may not make exciting reading but financial accounting theory 6th edition scott is packed with valuable

[scott financial accounting theory 6th edition the salvation army](#) - Sep 22 2021

**financial accounting theory scott 6th edition solutions pdf** - Jul 01 2022

web access financial accounting theory 7th edition solutions now our solutions are written by chegg experts so you can be assured of the highest quality

**financial accounting theory 6th ed solutions manual** - Jul 13 2023

web instructor s solutions manual for financial accounting theory sixth edition william r scott university of waterloo queen s university pearson canada toronto

[financial accounting theory by william r scott open library](#) - Nov 24 2021

web 10 9 8 7 6 5 4 3 2 1 eb library and archives canada cataloguing in publication scott william r william robert 1931 author financial accounting theory william r

[financial wordpress com](#) - Oct 24 2021

web accounting theory jayne godfrey 2003 07 25 accounting theory 5th edition is the new edition of the market leading theory textbook the 5th edition has been updated to

**solution manual for financial accounting theory 7th edition by** - Sep 03 2022

web may 27 2011 written in a friendly style with clear explanations financial accounting theory provides a thorough presentation of financial accounting theories this new

*read online financial accounting theory scott 6th edition - Dec 06 2022*

web william robert scott 1997 scott reveals vast amounts of financial accounting information drawn from recent research that has until now been hidden in academic journals he

financial accounting theory 6th edition scott william r - Aug 02 2022

web william r scott solution manual for financial accounting theory 6 e 6th edition william r scott appropriate for financial accounting theory courses at both the

**solution manual financial accounting theory scott 6th edition - Oct 04 2022**

web see full pdf download pdf scott financial accounting theory 7th edition instructor s solutions manual chapter 1 chapter 1 introduction 1 1 the

**solutions manual for financial accounting theory 6th edition by - May 11 2023**

web complete downloadable solutions manual for financial accounting theory 6th edition by william scott instructor resource information title financial

**financial accounting theory scott 6th edition solutions pdf - Mar 29 2022**

web aug 14 2021 william r scott solution manual for financial accounting theory 7th edition pearson preview 6 out of 568 pages report copyright violation also available

financial accounting theory william r scott google books - Feb 08 2023

web practice test bank for financial accounting theory by scott 6th edition accounting theory week 1 part 1 2 security analysis by benjamin graham part 1

solution manual for financial accounting theory 6th edition by - Mar 09 2023

web william r scott pearson prentice hall 2009 accounting 546 pages appropriate for financial accounting theory courses at both the senior undergraduate and

**solution manual for financial accounting theory pdf pdfdrive - Jun 12 2023**

web read download pdf solution manual for financial accounting theory by william r scott update the latest version with high quality try now

**financial accounting theory 7th edition textbook solutions chegg - May 31 2022**

web download solutions manual financial accounting theory 7th edition by william r scott pdf buklibry com download solutions manual financial accounting theory

*this writer analyzed 100 graduation speeches ideas ted com - Oct 06 2022*

web jun 2 2022 graduation speeches long viewed as the burdensome interruption before diplomas were granted and mortar boards were tossed have since become big business kurt vonnegut ann patchett carl hiaasen j k rowling mary karr david foster wallace and many others have all had their commencement speeches published as books

[6 tips to write a great graduation speech with examples](#) - Aug 04 2022

web nov 24 2022 1 pick a theme the overall goal of graduation speeches is to inspire and move your audience but there are lots of ways to do this and picking the right theme is a big part of it popular themes are the importance of friendship perseverance and overcoming adversity having big dreams and imagination making a difference

*dare graduation speech youtube* - Dec 08 2022

web in 6th grade i won a contest to speak at my dare graduation about press copyright contact us creators advertise developers terms privacy policy safety how youtube

*dare graduation 2020 youtube* - Jul 15 2023

web dr e s dare graduation speech i do not own the rights to some of the commentary presented

[how to write a graduation speech 12 practical tips](#) - Jun 02 2022

web may 21 2023 a speech can have more than one message but it s best to keep it to less than four main messages one example is actress natalie portman s graduation speech which focused on fighting against self doubt and pursuing your passions here are some other ideas for graduation speech themes the benefits of failure the importance of

*50 top graduation speech ideas examples templatelab* - Feb 27 2022

web whether you re representing the graduation class or you re asked to come and give a speech to the graduating class you have to come up with your own graduation speech the good news is that there are a lot of graduation speech

**pari speech at dare graduation 2015 youtube** - Apr 12 2023

web vdomdhtmltml pari speech at dare graduation 2015 youtube pari s speech at d a r e graduation 2015 ceremony turn on subtitles due to heavy background noise and loudspeaker ham

**10 steps to writing a graduation speech thesaurus com** - Mar 31 2022

web may 12 2022 if you ve been chosen to deliver a graduation speech follow these steps to ensure you write a speech that inspires your fellow graduates and audience

[graduation speech samples and ideas to inspire you eduzenith](#) - May 01 2022

web graduation speech samples and ideas to inspire you delivering a graduation speech is a great honor so congratulations if you have been selected as a valedictorian speaker here are a few graduation speeches you can draw inspiration from

*dare to try song and lyrics by graduation speech spotify* - Jul 03 2022

web listen to dare to try on spotify graduation speech song 2021 graduation speech song 2021 listen to dare to try on spotify

---

graduation speech song 2021 sign up log in home search your library create your

**dare graduation speech 2009 sro 101** - Aug 16 2023

web good morning i am ontario ohio s newest dare ofc adam gongwer it is truly a privilege honor to represent my fellow graduates of dare officer training class 61 2 weeks ago these 18 graduates came in as individuals each of us with our unique personalities quirks and various backgrounds

**dare graduation script student mc good morning ladies** - Jun 14 2023

web graduation ceremony of school graduation class it is an honor to stand before you in representing the class in welcoming you to our graduation we appreciate your honoring our completion of the d a r e class and graduation by taking the time to be here tonight with us please stand and join the class in the pledge of allegiance

**how to write a graduation speech everyone will remember real simple** - Dec 28 2021

web jun 3 2019 give it structure all engaging stories have a beginning middle and end think of your graduation speech the same way be thoughtful about how you open your speech to grab people s attention how you plan to keep their attention throughout and finally how you ll tie it all together with a neat closing message

**graduation speech examples that impart life lessons grammarly** - Sep 05 2022

web jun 2 2022 as so many bright and hard working grads shift their tassels from right to left in graduation ceremonies live and these well known examples from college graduation speeches use powerful wording and messages to share wisdom for

**maiden 5th graders celebrate dare graduation hickoryrecord com** - May 13 2023

web 1 of 2 maiden elementary fifth grade students look over their dare certificates during a ceremony on friday afternoon emily willis hickory daily record maiden elementary fifth grade students

[d a r e graduation d a r e america](#) - Feb 10 2023

web 12 students graduate hyattsville elementary d a r e program d a r e officers taught students good decision making while building trust between community law enforcement students at the hyattsville elem d a r e camp celebrated their d a r e graduations on june 30 2023 culminating a 10 week long program that the

*dare graduation speech youtube* - Nov 07 2022

web dare graduation speech 1 367 views jan 28 2013 3 dislike share save musicalnotes9 13 subscribers jimmy was one of four 5th grade students to present his dare drug awareness resistance

**i dare you to breathe epic graduation speech youtube** - Jan 29 2022

web kody duncan gave an amazing graduation speech at herriman high school in 2014 he shares an amazing story of how socrates teaches plato how to be successful

[how to write a commencement speech as a guest speaker](#) - Mar 11 2023

web jun 19 2023 learn how to deliver a winning commencement speech with our helpful ideas tips and examples discover how to capture your audience s attention make your speech memorable and leave a lasting impact with our guidance you ll be well on your way to crafting a commencement speech that truly stands out

*16 best graduation speeches that leave a lasting impression* - Jan 09 2023

web apr 17 2020 the best graduation speeches are motivational inspiring thought provoking and just might make you reach for a tissue discover 16 graduation speech examples