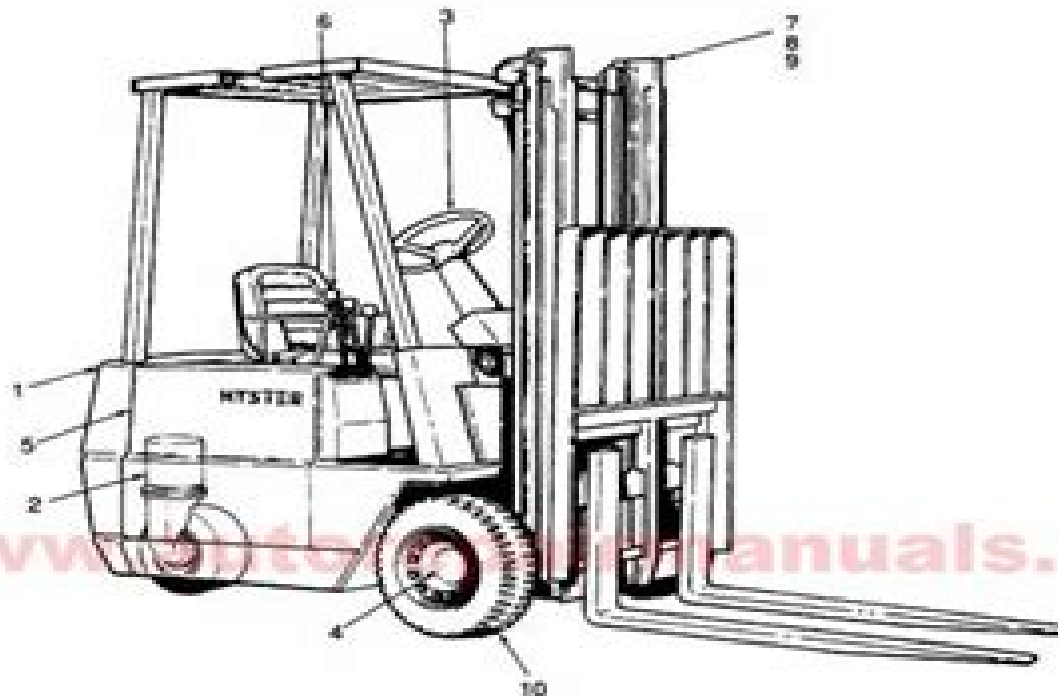


ILLUSTRATED CONTENTS

REF	SECTION	PAGE
1	FRAME	Page 3
2	MASTER DRIVE UNIT	Page 13
3	STEERING	Page 23
4	BRAKE	Page 33
5	ELECTRICAL SYSTEM	Page 43
6	HYDRAULIC SYSTEM	Page 57
7	TWO-STAGE LIMITED FREE LIFT MAST	Page 73
8	THREE-STAGE FULL FREE LIFT MAST	Page 83
9	TWO-STAGE FULL FREE LIFT MAST	Page 97
10	OPTIONAL EQUIPMENT	Page 111
11	NUMERICAL INDEX	Page 125

Hyster Forklift Manual 80 XI

Patrick Vollmar



Hyster Forklift Manual 80 Xl:

This is likewise one of the factors by obtaining the soft documents of this **Hyster Forklift Manual 80 XI** by online. You might not require more period to spend to go to the book introduction as without difficulty as search for them. In some cases, you likewise complete not discover the pronouncement Hyster Forklift Manual 80 XI that you are looking for. It will agreed squander the time.

However below, next you visit this web page, it will be as a result very simple to acquire as without difficulty as download lead Hyster Forklift Manual 80 XI

It will not agree to many times as we notify before. You can attain it even though deed something else at home and even in your workplace. correspondingly easy! So, are you question? Just exercise just what we pay for under as capably as review **Hyster Forklift Manual 80 XI** what you afterward to read!

<https://staging.conocer.cide.edu/results/scholarship/index.jsp/Learning%20To%20Use%20Statistical%20Tools%20In%20Psychology.pdf>

Table of Contents Hyster Forklift Manual 80 XI

1. Understanding the eBook Hyster Forklift Manual 80 XI
 - The Rise of Digital Reading Hyster Forklift Manual 80 XI
 - Advantages of eBooks Over Traditional Books
2. Identifying Hyster Forklift Manual 80 XI
 - Exploring Different Genres
 - Considering Fiction vs. Non-Fiction
 - Determining Your Reading Goals
3. Choosing the Right eBook Platform
 - Popular eBook Platforms
 - Features to Look for in an Hyster Forklift Manual 80 XI
 - User-Friendly Interface

4. Exploring eBook Recommendations from Hyster Forklift Manual 80 XL
 - Personalized Recommendations
 - Hyster Forklift Manual 80 XL User Reviews and Ratings
 - Hyster Forklift Manual 80 XL and Bestseller Lists
5. Accessing Hyster Forklift Manual 80 XL Free and Paid eBooks
 - Hyster Forklift Manual 80 XL Public Domain eBooks
 - Hyster Forklift Manual 80 XL eBook Subscription Services
 - Hyster Forklift Manual 80 XL Budget-Friendly Options
6. Navigating Hyster Forklift Manual 80 XL eBook Formats
 - ePub, PDF, MOBI, and More
 - Hyster Forklift Manual 80 XL Compatibility with Devices
 - Hyster Forklift Manual 80 XL Enhanced eBook Features
7. Enhancing Your Reading Experience
 - Adjustable Fonts and Text Sizes of Hyster Forklift Manual 80 XL
 - Highlighting and Note-Taking Hyster Forklift Manual 80 XL
 - Interactive Elements Hyster Forklift Manual 80 XL
8. Staying Engaged with Hyster Forklift Manual 80 XL
 - Joining Online Reading Communities
 - Participating in Virtual Book Clubs
 - Following Authors and Publishers Hyster Forklift Manual 80 XL
9. Balancing eBooks and Physical Books Hyster Forklift Manual 80 XL
 - Benefits of a Digital Library
 - Creating a Diverse Reading Collection Hyster Forklift Manual 80 XL
10. Overcoming Reading Challenges
 - Dealing with Digital Eye Strain
 - Minimizing Distractions
 - Managing Screen Time
11. Cultivating a Reading Routine Hyster Forklift Manual 80 XL
 - Setting Reading Goals Hyster Forklift Manual 80 XL
 - Carving Out Dedicated Reading Time

12. Sourcing Reliable Information of Hyster Forklift Manual 80 XL
 - Fact-Checking eBook Content of Hyster Forklift Manual 80 XL
 - Distinguishing Credible Sources
13. Promoting Lifelong Learning
 - Utilizing eBooks for Skill Development
 - Exploring Educational eBooks
14. Embracing eBook Trends
 - Integration of Multimedia Elements
 - Interactive and Gamified eBooks

Hyster Forklift Manual 80 XL Introduction

Hyster Forklift Manual 80 XL Offers over 60,000 free eBooks, including many classics that are in the public domain. Open Library: Provides access to over 1 million free eBooks, including classic literature and contemporary works. Hyster Forklift Manual 80 XL Offers a vast collection of books, some of which are available for free as PDF downloads, particularly older books in the public domain. Hyster Forklift Manual 80 XL : This website hosts a vast collection of scientific articles, books, and textbooks. While it operates in a legal gray area due to copyright issues, its a popular resource for finding various publications. Internet Archive for Hyster Forklift Manual 80 XL : Has an extensive collection of digital content, including books, articles, videos, and more. It has a massive library of free downloadable books. Free-eBooks Hyster Forklift Manual 80 XL Offers a diverse range of free eBooks across various genres. Hyster Forklift Manual 80 XL Focuses mainly on educational books, textbooks, and business books. It offers free PDF downloads for educational purposes. Hyster Forklift Manual 80 XL Provides a large selection of free eBooks in different genres, which are available for download in various formats, including PDF. Finding specific Hyster Forklift Manual 80 XL, especially related to Hyster Forklift Manual 80 XL, might be challenging as theyre often artistic creations rather than practical blueprints. However, you can explore the following steps to search for or create your own Online Searches: Look for websites, forums, or blogs dedicated to Hyster Forklift Manual 80 XL, Sometimes enthusiasts share their designs or concepts in PDF format. Books and Magazines Some Hyster Forklift Manual 80 XL books or magazines might include. Look for these in online stores or libraries. Remember that while Hyster Forklift Manual 80 XL, sharing copyrighted material without permission is not legal. Always ensure youre either creating your own or obtaining them from legitimate sources that allow sharing and downloading. Library Check if your local library offers eBook lending services. Many libraries have digital catalogs where you can borrow Hyster Forklift Manual 80 XL eBooks for free, including popular titles. Online Retailers: Websites like Amazon, Google Books, or Apple Books often sell eBooks. Sometimes,

authors or publishers offer promotions or free periods for certain books. Authors Website Occasionally, authors provide excerpts or short stories for free on their websites. While this might not be the Hyster Forklift Manual 80 XL full book, it can give you a taste of the authors writing style. Subscription Services Platforms like Kindle Unlimited or Scribd offer subscription-based access to a wide range of Hyster Forklift Manual 80 XL eBooks, including some popular titles.

FAQs About Hyster Forklift Manual 80 XL Books

1. Where can I buy Hyster Forklift Manual 80 XL books? Bookstores: Physical bookstores like Barnes & Noble, Waterstones, and independent local stores. Online Retailers: Amazon, Book Depository, and various online bookstores offer a wide range of books in physical and digital formats.
2. What are the different book formats available? Hardcover: Sturdy and durable, usually more expensive. Paperback: Cheaper, lighter, and more portable than hardcovers. E-books: Digital books available for e-readers like Kindle or software like Apple Books, Kindle, and Google Play Books.
3. How do I choose a Hyster Forklift Manual 80 XL book to read? Genres: Consider the genre you enjoy (fiction, non-fiction, mystery, sci-fi, etc.). Recommendations: Ask friends, join book clubs, or explore online reviews and recommendations. Author: If you like a particular author, you might enjoy more of their work.
4. How do I take care of Hyster Forklift Manual 80 XL books? Storage: Keep them away from direct sunlight and in a dry environment. Handling: Avoid folding pages, use bookmarks, and handle them with clean hands. Cleaning: Gently dust the covers and pages occasionally.
5. Can I borrow books without buying them? Public Libraries: Local libraries offer a wide range of books for borrowing. Book Swaps: Community book exchanges or online platforms where people exchange books.
6. How can I track my reading progress or manage my book collection? Book Tracking Apps: Goodreads, LibraryThing, and Book Catalogue are popular apps for tracking your reading progress and managing book collections. Spreadsheets: You can create your own spreadsheet to track books read, ratings, and other details.
7. What are Hyster Forklift Manual 80 XL audiobooks, and where can I find them? Audiobooks: Audio recordings of books, perfect for listening while commuting or multitasking. Platforms: Audible, LibriVox, and Google Play Books offer a wide selection of audiobooks.
8. How do I support authors or the book industry? Buy Books: Purchase books from authors or independent bookstores. Reviews: Leave reviews on platforms like Goodreads or Amazon. Promotion: Share your favorite books on social media

or recommend them to friends.

9. Are there book clubs or reading communities I can join? Local Clubs: Check for local book clubs in libraries or community centers. Online Communities: Platforms like Goodreads have virtual book clubs and discussion groups.
10. Can I read Hyster Forklift Manual 80 XL books for free? Public Domain Books: Many classic books are available for free as they're in the public domain. Free E-books: Some websites offer free e-books legally, like Project Gutenberg or Open Library.

Find Hyster Forklift Manual 80 XL :

[learning to use statistical tools in psychology](#)

[lee mullican an abundant harvest of sun](#)

[learning how to learn the english primary school and american education](#)

[lectures on electromagnetic theory. a short course for engineers](#)

[learning with internet tools a primer](#)

[lee conmigo](#)

learning curves iii the guide to understanding derivatives

[learning efficiency test 2 test kit manual stimulus cards 50 record forms](#)

[lebanon dynamics of conflict](#)

[learning with simulations and games sage contemporary social science anthologies](#)

learning to use dbase iii plus the shelly and cashman series

[leavis dr mackillop and the cambridge quarterly a brynmill special issue](#)

learning for life education for an economically competitive and socially responsible north america

lecture notes on geriatric medicine

[lectura dantis americana inferno i](#)

Hyster Forklift Manual 80 XL :

[asterix and the chariot race album 37 lingua inglese by jean - Apr 20 2022](#)

web may 21 2023 [download asterix asterix and the chariot race album 37 copyright start exploring with our free pdf ebook](#)

[download recensione an energetic story with some](#)

asterix and the chariot race album 37 google books - Apr 01 2023

web the next action packed adventure from asterix and obelix the roads across italy are in disrepair defending his name and to prove rome s greatness senator lactus bifidus

[asterix and the chariot race album 37 lingua inglese by jean](#) - May 22 2022

web asterix and the chariot race album 37 lingua inglese by jean yves ferri packed read it looks great it never bored me for even a second and it even made me laugh out loud

[asterix and the chariot race asterix the official website astérix](#) - Aug 05 2023

asterix and the chariot race french astérix et la transitalique asterix and the trans italic is the 37th book in the asterix series and the third to be written by jean yves ferri and illustrated by didier conrad the book was released worldwide in more than 20 languages on 19 october 2017 with an initial print run of 5 million copies

[asterix and the chariot race album 37 lingua ingl pdf](#) - Jun 22 2022

web jun 7 2023 without difficulty as fetch manual asterix and the chariot race album 37 lingua inglese by jean yves ferri so once you necessity the books swiftly you can

[asterix and the chariot race album 37 lingua inglese by jean](#) - Sep 06 2023

web apr 5 2017 the title of the 37th album recounting the adventures of our friends from gaul has finally been revealed the year is 50 bc italy is entirely under rome s control well

asterix and the chariot race album 37 lingua ingl pdf - Sep 25 2022

web expense of asterix and the chariot race album 37 lingua ingl and numerous ebook collections from fictions to scientific research in any way in the middle of them is this

[asterix and the chariot race album 37 lingua inglese by jean](#) - Feb 16 2022

web sep 10 2023 asterix and the chariot race album 37 lingua inglese by jean yves ferri asterix and the chariot race album 37 co uk asterix and the chariot race album

[asterix and the chariot race asterix the official](#) - Feb 28 2023

web aug 16 2023 asterix asterix and the chariot race album 37 asterix may 22nd 2020 buy asterix asterix and the chariot race album 37 asterix from kogan the next action

[37 asterix and the chariot race goscinnny uderzo](#) - Oct 07 2023

web booktopia has asterix asterix and the chariot race album 37 by jean yves ferri buy a discounted paperback of asterix asterix and the chariot race online from australia s

[asterix and the chariot race album 37 lingua ingl](#) - Jul 24 2022

web ferri download asterix asterix and the chariot race album 37 asterix asterix and the chariot race album 37 ics asterix asterix and the chariot race album 37 ferri asterix

asterix asterix and the chariot race album 37 amazon in - Nov 15 2021

asterix and the chariot race album 37 lingua ingl pdf - Oct 27 2022

web album 37 lingua ingl associate that we allow here and check out the link you could buy guide asterix and the chariot race album 37 lingua ingl or acquire it as soon as feasible

asterix and the chariot race album 37 amazon co uk - Jun 03 2023

web oct 19 2017 the breath taking pace the beautiful scenery the cast representing a large variety of peoples from all corners of the roman empire the tension caused by a chariot

asterix and the chariot race album 37 lingua inglese by jean - Jan 18 2022

web asterix asterix and the chariot race album 37 hardcover 2 november 2017 by jean yves ferri author didier conrad illustrator 4 6 out of 5 stars 829 ratings

asterix and the chariot race album 37 lingua ingl pdf - Nov 27 2022

web asterix and the chariot race album 37 lingua ingl pdf right here we have countless ebook asterix and the chariot race album 37 lingua ingl pdf and collections to

asterix and the chariot race album 37 lingua inglese by jean - Dec 29 2022

web ease you to look guide asterix and the chariot race album 37 lingua ingl as you such as by searching the title publisher or authors of guide you essentially want you can

asterix asterix and the chariot race album 37 goodreads - May 02 2023

web nov 2 2017 little brown book group nov 2 2017 juvenile fiction 48 pages the latest action packed adventure from our indomitable gauls asterix and the griffin is out now

asterix and the chariot race wikipedia - Jul 04 2023

web may 17 2018 the latest action packed adventure from our indomitable gauls asterix and the griffin is out now the roads across italy are in disrepair defending his name and to

asterix and the chariot race album 37 lingua inglese by jean - Dec 17 2021

asterix album 37 asterix and the chariot race - Jan 30 2023

web jun 12 2023 asterix and the chariot race album 37 lingua ingl 1 7 downloaded from uniport edu ng on june 12 2023 by guest asterix and the chariot race album 37

asterix and the chariot race album 37 lingua ingl copy - Aug 25 2022

web asterix and the chariot race album 37 lingua ingl son of truth brave books 2021 11 29 brave books is a publisher

dedicated to bringing real american values that

[asterix and the chariot race album 37 lingua inglese by jean](#) - Mar 20 2022

web asterix and the chariot race album 37 lingua inglese by jean yves ferri just the sort of thing we asterix fans love the independent on sunday on asterix and the

la nature de l eau broché yann olivaux achat livre fnac - Mar 30 2022

web résumé l eau est un élément qui présente de multiples facettes bio physico chimiques bien sûr mais aussi politiques économiques mythologiques psychanalytiques poétique l information disponible sur cet élément vital est particulièrement disséminée

l eau dans la nature centre d information sur l eau - Apr 11 2023

web l eau occupe 72 de la surface de notre planète on la retrouve partout sous ses diverses formes eaux continentales souterraines eau douce et eau de pluie partez à la découverte de l eau en explorant ses ressources naturelles

[la nature de l eau résurgence t 122 format kindle amazon fr](#) - Dec 07 2022

web la nature de l eau de yann olivaux est sans conteste l ouvrage de référence sur l eau sur 570 pages d information rigoureuse le spécialiste français de l eau président du crieau comité de recherche et d information indépendant sur l eau traite l eau avec respect via trois thématiques l eau et l homme l eau et la science l

la nature au bord de l eau marc giraud babelio - Dec 27 2021

web mar 18 2022 résumé la france compte plus de 500 000 km de cours d eau et d innombrables lacs mares ou étangs or la moindre flaque est une source foisonnante de vie savez vous qu il existe des crevettes et des moules d eau douce que des libellules agitent des pancartes pour communiquer que les goujons amoureux ont des

la nature de l eau aqueduc info - Aug 03 2022

web la nature de l eau accueil ressources dans les livres octobre 2007 la nature de l eau yann olivaux des connaissances savamment organisées un savoir innovant et documenté yann olivaux a de la patience et de l ambition

la nature de l eau prof marc henry - Jan 08 2023

web mar 7 2014 nature de l eau dans la grèce antique quelle est donc la vraie nature de l eau je résume ici la saga de cette incroyable histoire car chaque idée novatrice pour son époque concernant l eau se trouve irrémédiablement anéantie un peu plus tard ceci afin de laisser place à une idée condamnée à disparaître à son tour

[la valeur de l eau pour l environnement rapport mondial 2021 de l](#) - Mar 10 2023

web la valeur de l environnement peut être exprimée en fonction du rôle qu il joue en fournissant des avantages aux populations eau potable eau d irrigation ou industrielle gestion des phénomènes extrêmes tels que les inondations aide à

le cycle de l eau leçon khan academy - Jun 13 2023

web le cycle de l'eau le cycle de l'eau ou cycle hydrologique est alimenté par l'énergie du soleil qui réchauffe la surface des océans et des autres réservoirs d'eau ceci provoque l'évaporation de l'eau liquide et la sublimation de la glace qui passe directement d'un état solide à gazeux

la nature de l'eau 1 autour de l'eau avec yann olivaux - Oct 05 2022

web émission la nature de l'eau 1 autour de l'eau yann olivaux biophysicien nous présente et fait prendre conscience des multiples facettes des mondes de l'eau scientifique

l'eau une ressource naturelle en voie de disparition - Apr 30 2022

web l'été 2022 a vu des températures extrêmes apparaître en Europe et les sécheresses se multiplier sur tout le continent cette semaine mondiale de l'eau permet de se rendre compte que cette ressource longtemps considérée comme abondante se fait de plus en plus rare ce qui menace la survie de l'humanité une ressource vitale pour l'humanité

eau wikipédia - Aug 15 2023

web généralités l'eau est présente sur terre sous ses trois états liquide solide glace et gazeux vapeur d'eau la vapeur d'eau invisible est un composant de l'air les nuages sont des accumulations de gouttelettes d'eau dans l'air

amazon fr la nature de l'eau olivaux yann livres - May 12 2023

web la nature de l'eau de yann olivaux est sans conteste l'ouvrage de référence sur l'eau sur 570 pages d'information rigoureuse le spécialiste français de l'eau président du crieau comité de recherche et d'information indépendant sur l'eau traite l'eau avec respect via trois thématiques l'eau et l'homme l'eau et la science l'

la nature de l'eau selon yann olivaux naturo passion com - Feb 09 2023

web jun 8 2015 accessible à tous cet atelier inédit en France vous propose de comprendre de manière simple les propriétés singulières de l'eau d'en saisir sa nature intime et sa dynamique à l'aide d'expériences simples et ludiques

cycle de l'eau étapes schéma comment ça marche - Feb 26 2022

web mar 18 2022 le cycle de l'eau appelé aussi cycle hydrologique est le phénomène naturel du parcours entre les grands réservoirs d'eau liquide solide ou de vapeur d'eau présents sur terre les océans l'atmosphère les lacs les cours d'eau les nappes d'eaux souterraines et les glaciers

solutions fondées sur la nature sfm et la gestion de l'eau - Jul 02 2022

web in rapport mondial des nations unies sur la mise en valeur des ressources en eau 2018 les solutions fondées sur la nature pour la gestion de l'eau p 21 36 illus maps language french also available in english also available in español year of publication 2018 licence type cc by sa 3 0 igo book part 1 10 30 km³ an 1 2 30 km³

la nature de l'eau de yann olivaux livre decitre - Sep 04 2022

web oct 31 2007 résumé l'eau est un élément qui présente de multiples facettes bio physico chimiques bien sûr mais aussi

politiques économiques mythologiques psychanalytiques poétique l information disponible sur cet élément vital est particulièrement disséminée

nature de l eau la éditions marco pietteur - Nov 06 2022

web nature de l eau la auteur s olivaux yann l eau est un élément qui présente de multiples facettes bio physico chimiques bien sûr mais aussi politiques économiques mythologiques psychanalytiques poétiques isbn 2 87434 038 3 ean 9782874340383 nb de pages 576 votre éditeur vous offre 5 5 30 00 ttc 28 50 ttc ajouter au

la nature de l eau facebook - Jun 01 2022

web la nature de l eau 3 475 likes 15 talking about this les actualités des mondes de l eau mythologies et symbolique hydrologie Économie et géopol

eau propriétés physico chimiques encyclopædia universalis - Jul 14 2023

web eau propriétés physico chimiques composé chimique de formule h 2 o l eau se rencontre à la surface du globe sous les trois états de la matière bien connue sous la forme de glace ou de neige l eau solide est également présente dans d innombrables minéraux les hydrates naturels

la nature de l eau - Jan 28 2022

web l eau est une passerelle entre les hommes elle se singularise par sa nature transversale il existe ainsi différents mondes de l eau qui ouvrent aux multiples regards que nous portons sur elle scientifique artistique économique

7 ways to welcome a new employee with message examples - Feb 18 2022

web jun 14 2022 7 ways to make new employees feel welcome tip 1 onboard employees before their first day tip 2 start on a wednesday at 10am tip 3 notify the entire team about the arrival of the new team member tip 4 check that their workspace is ready for their first day at work

10 useful sample introduction emails for new team members - Jul 26 2022

web bianca decu jun 20 2023 introducing new team members to a team can be a challenging task you want to make sure that the new member feels welcomed and included but you also want to convey important information and expectations for the team

18 examples of how to say welcome to the team polly - Oct 09 2023

web every great welcome message should focus on welcoming your team member to their new position team and company phrases like welcome to the team we re so glad you re here and we can t wait to get to know you all let your new hire know you re excited about their presence

20 short welcome messages for new employees empuls - Mar 22 2022

web feb 13 2023 we look forward to the insights you have to bring 14 welcome aboard employee name we re always on the

lookout for experienced dynamic individuals to join our creative team and you re the best person we could find for the job we can t wait to see what you do 15 welcome to the team employee name

new employee welcome email samples guide smartrecruiters - Apr 22 2022

web mar 6 2020 1 craft a catchy subject line be sure that the subject line of your email is as specific as possible as it s the first part of the email new hires will see clearly state the purpose of the email to avoid confusion but make sure that it s descriptive and engaging at the same time here are some examples of good subject lines

40 short yet awesome welcome messages for new employees - Nov 29 2022

web apr 27 2023 40 awesome welcome messages for new employees image source welcome post via vantage circle s social feed we are delighted to have you among us on behalf of all the members and the management we would like to extend our warmest welcome and good wishes welcome to the team we are thrilled to have you at our office

welcome to the team email sample template workable - Jun 05 2023

web here s a sample of a welcome to the team letter that you can customize and use to introduce your new hires welcome to the team email sample email subject line welcoming new team members at company name hi all i am very pleased to announce that our team is growing start date e g

new employee welcome email examples updated for 2023 indeed - Apr 03 2023

web jan 31 2023 new employee welcome email examples when writing welcome emails for new employees take into account your company culture e g professional casual and your new hire s situation e g recently relocated here are three examples of welcome emails for new employees casual subject line welcome aboard new hire name hi

18 new employee announcement examples emails templates - Dec 31 2022

web nov 2 2023 10 gameshow style video clip for a creative high tech new employee announcement create a video clip presenting the incoming team member in a cheesy gameshow style format you can find graphics and placards in canva that make assembling an attractive video deck easy

50 examples for welcome emails and messages to new - May 04 2023

web mar 18 2022 welcome email to new colleague sample sending a welcome email to a colleague is a nice touch that sets the scene for a positive relationship from day 1 in this welcome email to new colleague sample we offer some kind words from a new friend here s our welcome email to the new colleague sample

how to welcome new team members 8 example welcome - Feb 01 2023

web 1 craft welcome email and messages for the email messaging apps your team uses welcome emails and messages are essential especially for teams working asynchronously the same way you d greet a dinner guest to make them feel at home you need to welcome your new team member on their first day to help them settle in

[the 30 best welcome messages for new employees calendly](#) - Sep 08 2023

web nov 17 2021 30 welcome to the team messages examples feel free to use the following welcome messages as a template and make them your own welcome to the team new employee s name we only hire people we believe will make a difference here and we re proud to count you among that number we look forward to helping you make

[13 welcome to the team email templates to use in 2023](#) - Aug 07 2023

web apr 24 2023 introducing new team member to the whole staff new hire s first day letter template welcome events template a simple introduction letter assigning teammates to new hires company culture email template for new employee how to settle in 4 welcome to team email templates for remote hybrid workspaces remote employee welcome

[the best welcome messages for new hires examples](#) - Sep 27 2022

web a thoughtful welcome helps a new team member feel wanted and included in what s happening here are some ideas for some warm welcome wishes feel free to use them as a template for a personalized welcome note for new coworkers

[how to welcome new team members with 30 example](#) - Jul 06 2023

web dec 18 2022 new employee welcome email definition template and example 10 simple tips for supporting staff plus benefits learn how to welcome new team members and discover 30 example welcome messages you can reference and customise to welcome a new colleague or employee

[new employee introduction email to team sample templates](#) - Oct 29 2022

web welcome to the team new employee s job position new employee s name and surname say hello to our new new employee s job position new employee s name introducing our newest team member new employee s name say hi to new employee s name our newest team member hello everyone please welcome new employee s name to the

18 welcome message examples for new remote employees - May 24 2022

web dec 15 2022 onboarding welcome emails for new team members it s official welcome to the team name we re all thrilled to have you joining us and we know we ll reach new heights together to get you started smoothly i m sending you a few onboarding documents that have all the info you need for your first date

new employee welcome email template and examples forbes - Mar 02 2023

web aug 1 2023 dear new employee name we are excited to welcome you to our team on november 4 2023 name will meet you in the lobby of our building at time please remember to bring your id when

welcome to the team 30 new employee examples messages - Jun 24 2022

web aug 21 2023 here are the top 30 welcome messages examples you can use to greet a new employee on your team jump to the good stuff 30 welcome message examples you can use welcome messages for new employees 18 examples welcome messages to a new colleague 3 examples welcome messages from the ceo 3 examples

what is a welcome to the team email with template - Aug 27 2022

web jun 9 2023 1 write a descriptive subject line a clear concise subject line that explains the email in just a few words is the first step to an effective welcome email something simple like nexus agency onboarding welcome to our team can let the employee know who the email is from and that it s related to their new position