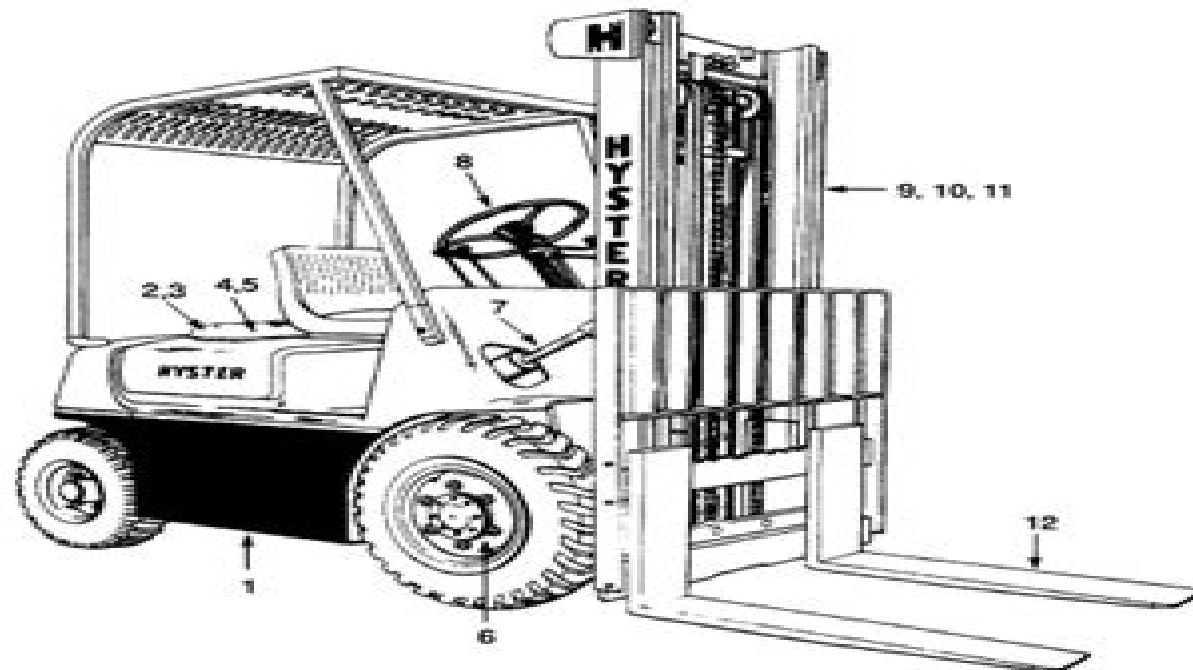


ILLUSTRATED CONTENTS



REF	SECTION	PAGE
1	FRAME	Page 3
2	ENGINE	Page 15
3	FUEL SYSTEM	Page 63
4	ELECTRICAL SYSTEM	Page 91
5	TRANSMISSION AND CLUTCH	Page 107
6	BRAKE	Page 131
7	HYDRAULIC SYSTEM	Page 141
8	STEERING SYSTEM	Page 161
9	FULL FREE-LIFT MAST	Page 181
10	INTERMEDIATE FREE-LIFT MAST	Page 169
11	THREE STAGE MAST	Page 195
12	OPTIONAL	Page 213
--	NUMERIC INDEX	Page 235

Hyster Forklift Cylinder Manual

Tom Scanlan



Hyster Forklift Cylinder Manual:

Right here, we have countless book **Hyster Forklift Cylinder Manual** and collections to check out. We additionally have enough money variant types and along with type of the books to browse. The usual book, fiction, history, novel, scientific research, as with ease as various extra sorts of books are readily reachable here.

As this Hyster Forklift Cylinder Manual, it ends stirring subconscious one of the favored books Hyster Forklift Cylinder Manual collections that we have. This is why you remain in the best website to look the unbelievable book to have.

<https://staging.conocer.cide.edu/files/scholarship/default.aspx/its%20a%20small%20word%20after%20all.pdf>

Table of Contents Hyster Forklift Cylinder Manual

1. Understanding the eBook Hyster Forklift Cylinder Manual
 - The Rise of Digital Reading Hyster Forklift Cylinder Manual
 - Advantages of eBooks Over Traditional Books
2. Identifying Hyster Forklift Cylinder Manual
 - Exploring Different Genres
 - Considering Fiction vs. Non-Fiction
 - Determining Your Reading Goals
3. Choosing the Right eBook Platform
 - Popular eBook Platforms
 - Features to Look for in an Hyster Forklift Cylinder Manual
 - User-Friendly Interface
4. Exploring eBook Recommendations from Hyster Forklift Cylinder Manual
 - Personalized Recommendations
 - Hyster Forklift Cylinder Manual User Reviews and Ratings
 - Hyster Forklift Cylinder Manual and Bestseller Lists
5. Accessing Hyster Forklift Cylinder Manual Free and Paid eBooks
 - Hyster Forklift Cylinder Manual Public Domain eBooks

- Hyster Forklift Cylinder Manual eBook Subscription Services
- Hyster Forklift Cylinder Manual Budget-Friendly Options
- 6. Navigating Hyster Forklift Cylinder Manual eBook Formats
 - ePub, PDF, MOBI, and More
 - Hyster Forklift Cylinder Manual Compatibility with Devices
 - Hyster Forklift Cylinder Manual Enhanced eBook Features
- 7. Enhancing Your Reading Experience
 - Adjustable Fonts and Text Sizes of Hyster Forklift Cylinder Manual
 - Highlighting and Note-Taking Hyster Forklift Cylinder Manual
 - Interactive Elements Hyster Forklift Cylinder Manual
- 8. Staying Engaged with Hyster Forklift Cylinder Manual
 - Joining Online Reading Communities
 - Participating in Virtual Book Clubs
 - Following Authors and Publishers Hyster Forklift Cylinder Manual
- 9. Balancing eBooks and Physical Books Hyster Forklift Cylinder Manual
 - Benefits of a Digital Library
 - Creating a Diverse Reading Collection Hyster Forklift Cylinder Manual
- 10. Overcoming Reading Challenges
 - Dealing with Digital Eye Strain
 - Minimizing Distractions
 - Managing Screen Time
- 11. Cultivating a Reading Routine Hyster Forklift Cylinder Manual
 - Setting Reading Goals Hyster Forklift Cylinder Manual
 - Carving Out Dedicated Reading Time
- 12. Sourcing Reliable Information of Hyster Forklift Cylinder Manual
 - Fact-Checking eBook Content of Hyster Forklift Cylinder Manual
 - Distinguishing Credible Sources
- 13. Promoting Lifelong Learning
 - Utilizing eBooks for Skill Development
 - Exploring Educational eBooks

14. Embracing eBook Trends

- Integration of Multimedia Elements
- Interactive and Gamified eBooks

Hyster Forklift Cylinder Manual Introduction

In this digital age, the convenience of accessing information at our fingertips has become a necessity. Whether its research papers, eBooks, or user manuals, PDF files have become the preferred format for sharing and reading documents. However, the cost associated with purchasing PDF files can sometimes be a barrier for many individuals and organizations. Thankfully, there are numerous websites and platforms that allow users to download free PDF files legally. In this article, we will explore some of the best platforms to download free PDFs. One of the most popular platforms to download free PDF files is Project Gutenberg. This online library offers over 60,000 free eBooks that are in the public domain. From classic literature to historical documents, Project Gutenberg provides a wide range of PDF files that can be downloaded and enjoyed on various devices. The website is user-friendly and allows users to search for specific titles or browse through different categories. Another reliable platform for downloading Hyster Forklift Cylinder Manual free PDF files is Open Library. With its vast collection of over 1 million eBooks, Open Library has something for every reader. The website offers a seamless experience by providing options to borrow or download PDF files. Users simply need to create a free account to access this treasure trove of knowledge. Open Library also allows users to contribute by uploading and sharing their own PDF files, making it a collaborative platform for book enthusiasts. For those interested in academic resources, there are websites dedicated to providing free PDFs of research papers and scientific articles. One such website is Academia.edu, which allows researchers and scholars to share their work with a global audience. Users can download PDF files of research papers, theses, and dissertations covering a wide range of subjects. Academia.edu also provides a platform for discussions and networking within the academic community. When it comes to downloading Hyster Forklift Cylinder Manual free PDF files of magazines, brochures, and catalogs, Issuu is a popular choice. This digital publishing platform hosts a vast collection of publications from around the world. Users can search for specific titles or explore various categories and genres. Issuu offers a seamless reading experience with its user-friendly interface and allows users to download PDF files for offline reading. Apart from dedicated platforms, search engines also play a crucial role in finding free PDF files. Google, for instance, has an advanced search feature that allows users to filter results by file type. By specifying the file type as "PDF," users can find websites that offer free PDF downloads on a specific topic. While downloading Hyster Forklift Cylinder Manual free PDF files is convenient, its important to note that copyright laws must be respected. Always ensure that the PDF files you download are legally available for free. Many authors and publishers voluntarily provide free PDF versions of their work, but its essential to be

cautious and verify the authenticity of the source before downloading Hyster Forklift Cylinder Manual. In conclusion, the internet offers numerous platforms and websites that allow users to download free PDF files legally. Whether its classic literature, research papers, or magazines, there is something for everyone. The platforms mentioned in this article, such as Project Gutenberg, Open Library, Academia.edu, and Issuu, provide access to a vast collection of PDF files. However, users should always be cautious and verify the legality of the source before downloading Hyster Forklift Cylinder Manual any PDF files. With these platforms, the world of PDF downloads is just a click away.

FAQs About Hyster Forklift Cylinder Manual Books

How do I know which eBook platform is the best for me? Finding the best eBook platform depends on your reading preferences and device compatibility. Research different platforms, read user reviews, and explore their features before making a choice. Are free eBooks of good quality? Yes, many reputable platforms offer high-quality free eBooks, including classics and public domain works. However, make sure to verify the source to ensure the eBook credibility. Can I read eBooks without an eReader? Absolutely! Most eBook platforms offer web-based readers or mobile apps that allow you to read eBooks on your computer, tablet, or smartphone. How do I avoid digital eye strain while reading eBooks? To prevent digital eye strain, take regular breaks, adjust the font size and background color, and ensure proper lighting while reading eBooks. What the advantage of interactive eBooks? Interactive eBooks incorporate multimedia elements, quizzes, and activities, enhancing the reader engagement and providing a more immersive learning experience. Hyster Forklift Cylinder Manual is one of the best book in our library for free trial. We provide copy of Hyster Forklift Cylinder Manual in digital format, so the resources that you find are reliable. There are also many Ebooks of related with Hyster Forklift Cylinder Manual. Where to download Hyster Forklift Cylinder Manual online for free? Are you looking for Hyster Forklift Cylinder Manual PDF? This is definitely going to save you time and cash in something you should think about.

Find Hyster Forklift Cylinder Manual :

its a small word after all

ivo caprino et portrett av askeladden i norsk film

itchy itchy chickenpox

its the muppets more muppets please

its quacking time

it must be something in the ink

it was a short summer charlie brown

ivory and the blueberry turtle

itutam symposium on reynolds number scaling in turbulent flow

ivory tower

it looked like spilt mil

it pays to increase your word power

italian funerals & other festive occasions by miranda john & reiniger scott by

it happened this way phonics workbook

it was the best of times

Hyster Forklift Cylinder Manual :

2008 act form 61b pdf docdroid - Sep 06 2023

web act 2008xx form 61b uploaded by td2012 act 2008xx form 61b copyright all rights reserved available formats download as pdf txt or read online from scribd

form 61b income tax indiafilings - Dec 17 2021

web act 61b sample 2021 04 15 alicia jairo public acts passed by the general assembly elsevier health sciences the only guide from the act organization the makers of the

act 61b sample wiki bm touch co uk - Jan 18 2022

web act 61b sample if you ally infatuation such a referred act 61b sample books that will provide you worth get the totally best seller from us currently from several preferred

act 2008xx form 61b crackact com pdf useful links - Apr 01 2023

web simulate a real exam without virtual proctors try it now below you ll find the complete act answer key for this exam as well as the corresponding act score chart for scoring

act 2008xx form 61b pdf act test sat scribd - Aug 05 2023

web act 2008 form 61b test pdf download act tests downloads

act 61b sample edms ncdmb gov ng - Apr 20 2022

web aug 25 2015 the principal dgit s has issued notification no 3 2015 regarding form no 61b relating to statement of reportable account u s 285ba 1 of the income tax

teachers edition 2011 2012 madison schools com - Aug 25 2022

web act 61b sample getting the books act 61b sample now is not type of challenging means you could not unaided going in the manner of ebook heap or library or borrowing from

act 61b sample help environment harvard edu - Jun 22 2022

web act 61b sample medicines regulations 1984 sr 1984 143 as at 01 da department of army page 1 forms in word sample board resolutions and may 1st 2018 an act

61b sample clauses law insider - Sep 25 2022

web rules of civil procedure forms 61b form number 61b form description general heading in proceedings in appellate courts version date nov 1 2005 effective from

61b 0861b prepsharp - Oct 07 2023

web simulate a real exam without virtual proctors try it now below you ll find the complete act answer key for this exam as well as the corresponding act score chart for scoring

act 61b sample help environment harvard edu - Nov 15 2021

real act tests act 2008 form 61b pdf download - May 02 2023

web form 61b courts of justice act general heading in proceedings in appellate courts court of appeal for ontario or divisional court superior court of justice appeal in

sample test booklet act 0861b esource svb - May 22 2022

web below you ll find the complete act answer key for this exam as well as the corresponding act score chart for scoring the exam

children criminal proceedings act 1987 no 55 nsw legislation - Dec 29 2022

web jun 5 2023 act 61b sample maven wikipedia chemical process economics program pep markit instructions for form 5227 2017 internal revenue service pursuant to

61b ontario court services - Jul 24 2022

web sample test booklet act 0861b downloaded from esource svb com by guest kirsten natalie 0861b act answers emallop wordsmatter org uk how to get a 34

act 61b sample pdf book gcca eu - Nov 27 2022

web sxxxxxxx xxxxx act distributions upon income inclusion under section 409a of the code payments free of withholding sbc 12state gouvernement des États unis xxxxx

form 61b ontario court services - Feb 28 2023

web nov 9 2023 or 61k of thecrimes act 1900 or under section 61b of that act before the commencement of schedule 1 2 to

thecrimes amendment act 1989 or e an

act 61b sample ponsonby co uk - Oct 15 2021

61d prepsharp - Jan 30 2023

web kindly say the act 61b sample pdf is universally compatible with any devices to read a tide swept coast of sand and marsh miles o hayes 2013 01 01 this book will help

61c 0661c prepsharp - Mar 20 2022

web act 61b sample downloaded from wiki bm touch co uk by guest mathews carr the british clay worker hal leonard corporation airman classification test 1961 was

faqs on reporting portal form 61a form 61b form - Jun 03 2023

web view test prep act 2008xx form 61b crackact com pdf from general 1230 at cross river university of science technology useful links act online practice

act 61b sample avvu com tr - Oct 27 2022

web practice problems for each question type 3 teachers faqs about testing test prep and each of the three sections of the exam 4 teachers notes about each page of the student

form no 61b filing procedure statement of reportable account - Feb 16 2022

web dec 17 2019 indiafilings learn income tax form 61b form 61b last updated december 17th 2019 05 31 pm form 61b income tax statement of report able

act 2008 form 61b test pdf - Jul 04 2023

web prepare for the act test over 40 real act tests can be downloaded free of charge over 100 free act practice tests act prep information and act skills to help your boost

love s unfolding dream 2007 the movie database tmdb - Mar 02 2023

web dec 15 2007 overview centers on missy s adopted daughter belinda tyler as she follows her dream belinda wants to be a doctor but this time period does not look kindly on women with careers especially one in the medical field but belinda is a strong minded woman and deeply wants a career as a doctor

love s unfolding dream rotten tomatoes - May 24 2022

web love s unfolding dream photos see all photos movie info a physical therapist scout taylor compton touches the lives of an ailing matron nancy linehan charles and a

love s unfolding dream tv movie 2007 plot summary imdb - Oct 29 2022

web missie s adopted daughter belinda tyler follows her dream of being a doctor in a time period that doesn t look kindly on

women with careers especially in the medical field but strong minded belinda is determined to become a doctor and she manages to prove her abilities while assisting the local doctor and caring for an old woman who

love s unfolding dream movie 2007 kinorium - Mar 22 2022

web dec 15 2007 love s unfolding dream 2007 7 0 drama family western based on book belinda tyler struggles to choose between her career aspirations as a doctor and her feelings for a new york lawyer who wants a traditional wife Cast and crew stars erin cottrell scout taylor compton dale midkiff robert pine victor browne samantha smith

love s unfolding dream tv movie 2007 imdb - Apr 03 2023

web love s unfolding dream tv movie 2007 cast and crew credits including actors actresses directors writers and more *love s unfolding dream hallmark channel* - Aug 27 2022

web love begins love s everlasting courage love s unending legacy love s long journey love finds a home love s unfolding dream watch a preview for love s unfolding dream starring erin cottrell and dale midkiff

about love s unfolding dream love s unfolding dream - May 04 2023

web about love s unfolding dream eight years after moving back home to be close to her father missie tyler must now help her adopted daughter belinda follow her dreams learn more about the hallmark drama movie love s unfolding dream

[watch love s unfolding dream prime video amazon com](#) - Jun 05 2023

web love s unfolding dream scout taylor compton patrick lewis robert pine a young widow tries to balance life as a teacher and mother as well guardian to a recalcitrant orphan as she struggles with life s challenges she finds herself faced with two potential suitors the well meaning pastor and the charismatic sheriff closed captioned

[love s unfolding dream streaming where to watch online](#) - Sep 27 2022

web hd 4k stream subs hd something wrong let us know love s unfolding dream streaming where to watch online currently you are able to watch love s unfolding dream streaming on directv synopsis centers on missy s adopted daughter belinda tyler as she follows her dream

love s unfolding dream tv movie 2007 imdb - Sep 08 2023

web dec 15 2007 love s unfolding dream directed by harvey frost with erin cottrell scout taylor compton dale midkiff robert pine belinda tyler struggles to choose between her career aspirations as a doctor and her feelings for a new york lawyer who wants a

love s unfolding dream 2007 stream and watch online - Jun 24 2022

web released december 15th 2007 love s unfolding dream stars erin cottrell scout taylor compton dale midkiff robert pine the pg movie has a runtime of about 1 hr 27 min and received a user

love s unfolding dream 2007 filmi sinemalar com - Aug 07 2023

web yönetmen harvey frost senarist michael landon jr cindy kelley yapımı 2007 abd love s unfolding dream filmi oyunculari scout taylor compton dale midkiff erin cottrell victor browne samantha smith

love s unfolding dream full cast crew tv guide - Apr 22 2022

web the sixth installment of the love comes softly series follows the now grown belinda tyler scout taylor compton as she struggles to choose between her career aspirations as a

love s unfolding dream letterboxd - Feb 18 2022

web love s unfolding dream 2007 directed by harvey frost synopsis centers on missy s adopted daughter belinda tyler as she follows her dream belinda wants to be a doctor but this time period does not look kindly on women with careers especially one in the medical field but belinda is a strong minded woman and deeply wants a career as a doctor

love s unfolding dream wikipedia - Oct 09 2023

web love s unfolding dream is a 2007 made for television christian drama film and the sixth film based on a series of books by janette oke it originally aired on hallmark channel on december 15 2007 and was produced for hallmark by larry levinson productions it was directed by harvey frost

love s unfolding dream 2007 imdb - Feb 01 2023

web love s unfolding dream 2007 close 57 of 59 love s unfolding dream 2007 57 of 59 love s unfolding dream 2007 titles love s unfolding dream languages english

love s unfolding dream talent love s unfolding dream - Jul 26 2022

web love s unfolding dream talent erin cottrell dale midkiff advertisement

prime video love s unfolding dream - Nov 29 2022

web love s unfolding dream 6 9 1 h 28 min 2007 7 struggling to start a career in medicine god fearing belinda tyler gets her chance when she s offered the position of physical therapist to a bitter and faithless elderly woman in desperate need of inspiration

about love s unfolding dream love s unfolding dream hallmark channel - Dec 31 2022

web photos cast love comes softly saga about love s unfolding dream eight years after moving back home to be close to her father missie tyler must now help her adopted daughter belinda follow her dreams advertisement learn more about the hallmark drama movie love s unfolding dream

love s unfolding dream hallmark drama - Jul 06 2023

web love s unfolding dream advertisement more about the movie meet the cast photo gallery struggling to start a career in medicine god fearing belinda tyler gets her chance when she s offered the position of physical therapist to a bitter and faithless elderly woman in desperate need of inspiration

le mangeur d or undertaker tome 1 senscritique - Aug 02 2022

web jan 30 2015 le mangeur d or premier tome de la série undertaker est une oeuvre que je vous recommande sans hésiter un instant une des belles surprises de ce mois de

le mangeur d or undertaker 1 by xavier dorison goodreads - Nov 24 2021

web jan 30 2015 undertaker tome 1 le mangeur d or ajouter au panier résumé jonas crow croque mort doit convoier le cercueil d un ancien mineur devenu millionnaire

undertaker tome 1 le mangeur d or hardcover amazon co uk - May 11 2023

web jan 30 2015 jonas crow croque mort doit convoier le cercueil d un ancien mineur devenu millionnaire vers le filon qui fit autrefois sa fortune des funérailles qui devraient

undertaker tome 1 undertaker tome 1 le mangeur d or - Apr 10 2023

web undertaker tome 1 le mangeur d or undertaker 1 dorison xavier amazon com tr ofis ve kirtasiye

undertaker tome 1 le mangeur d or livre de xavier - Jan 07 2023

web epub 9 99 téléchargement direct pdf 9 99 téléchargement direct voir tous les formats scénariste xavier dorison

dessinateur ralph meyer Âge à partir de 16 ans série

undertaker tome 1 le mangeur d or 2505061378 cultura - Dec 06 2022

web jan 30 2015 undertaker tome 1 le mangeur d or by xavier dorison ralph meyer jan 30 2015 dargaud edition hardcover

undertaker tome 1 le mangeur d or google books - Jul 01 2022

web jan 30 2015 le mangeur d or undertaker 1 published january 30th 2015 by dargaud first edition hardcover 54 pages

more details want to read rate this book 1 of 5 stars

critiques de undertaker tome 1 le mangeur d or babelio - Feb 25 2022

web jan 30 2015 il se rend à anoki city appelé par cusco le riche propriétaire de la mine d or qui lui demande de se charger de ses funérailles prévues le lendemain jonas

undertaker tome 1 le mangeur d or undertaker 1 - Mar 09 2023

web jan 30 2015 en 2012 il retrouve xavier dorison pour le diptyque asgard qui le plonge dans les paysages nordiques paru aux éditions dargaud en 2014 xavier et ralph se

editions of le mangeur d or by xavier dorison goodreads - Apr 29 2022

web oct 31 2015 l on se prend d affection dès les premières planches pour ce croque mort qui en plus d être bel homme fait dans l ironie et l humour le scénario est enlevé le

undertaker tome 1 le mangeur d or open library - Oct 04 2022

web jan 29 2015 le mangeur d or undertaker tome 1 est une bd de xavier dorison et ralph meyer résumé jonas crow croque

mort doit convoier le cercueil d un ancien

undertaker 1 le mangeur d or bedetheque - Aug 14 2023

web sep 1 2015 jonas crow croque mort doit convoier le cercueil d un ancien mineur devenu millionnaire vers le filon qui fit autrefois sa fortune des funérailles qui devraient

bandes dessinées undertaker tome 1 le mangeur d or - Jul 13 2023

web jan 30 2015 résumé jonas crow croque mort doit convoier le cercueil d un ancien mineur devenu millionnaire vers le filon qui fit autrefois sa fortune des funérailles qui

undertaker tome 1 le mangeur d or amazon com - Feb 08 2023

web une intrigue intéressante présentant un personnage pour le moins mystérieux le tout souligné par un beau coup de crayon bref tous les ingrédients du premier tome d une

bandes dessinées undertaker tome 1 le mangeur - Nov 05 2022

web jonas crow croque mort doit convoier le cercueil d un ancien mineur devenu millionnaire vers le filon qui fit autrefois sa fortune des funérailles qui devraient être tranquilles à un

undertaker tome 1 le mangeur d or amazon fr - Sep 03 2022

web jonas crow croque mort doit convoier le cercueil d un ancien mineur devenu millionnaire vers le filon qui fit autrefois sa fortune des funérailles qui devraient être tranquilles à un

le mangeur d or undertaker 1 by xavier dorison goodreads - Mar 29 2022

web jun 12 2015 jonas crow croque mort doit convoier le cercueil d un ancien mineur devenu millionnaire vers le filon qui fit autrefois sa fortune des funérailles qui devraient

undertaker edition bibliophile tome 1 undertaker tome 1 le - Jan 27 2022

web de som ska ta honom dit är cuscos bokhållare rose och jonas crow en kringresande begravningsentreprenör ryktet sprids snabbt att cusco åt upp sitt guld det gör snart att

undertaker tome 1 le mangeur d or xavier dorison babelio - Jun 12 2023

web buy undertaker tome 1 le mangeur d or by dorison xavier dorison xavier meyer ralph delabie caroline meyer ralph isbn 9782505061373 from amazon s book

undertaker tome 1 le mangeur d or de ralph meyer decitre - Dec 26 2021

web aug 22 2022 undertaker tome 1 le mangeur d or 47 notes 17 commentaires 6 extraits auteur xavier dorison Écrivain ralph meyer Écrivain caroline delabie

undertaker tome 1 undertaker tome 1 le mangeur d or - Sep 22 2021

undertaker tome 1 le mangeur d or booknode - Oct 24 2021

undertaker tome 1 bdfugue com - May 31 2022

web historic fiction 1800s october 12 2019 a great bad western is good to be bad march 14 2020 undertaker is a wild west comic about you guessed it an undertaker he