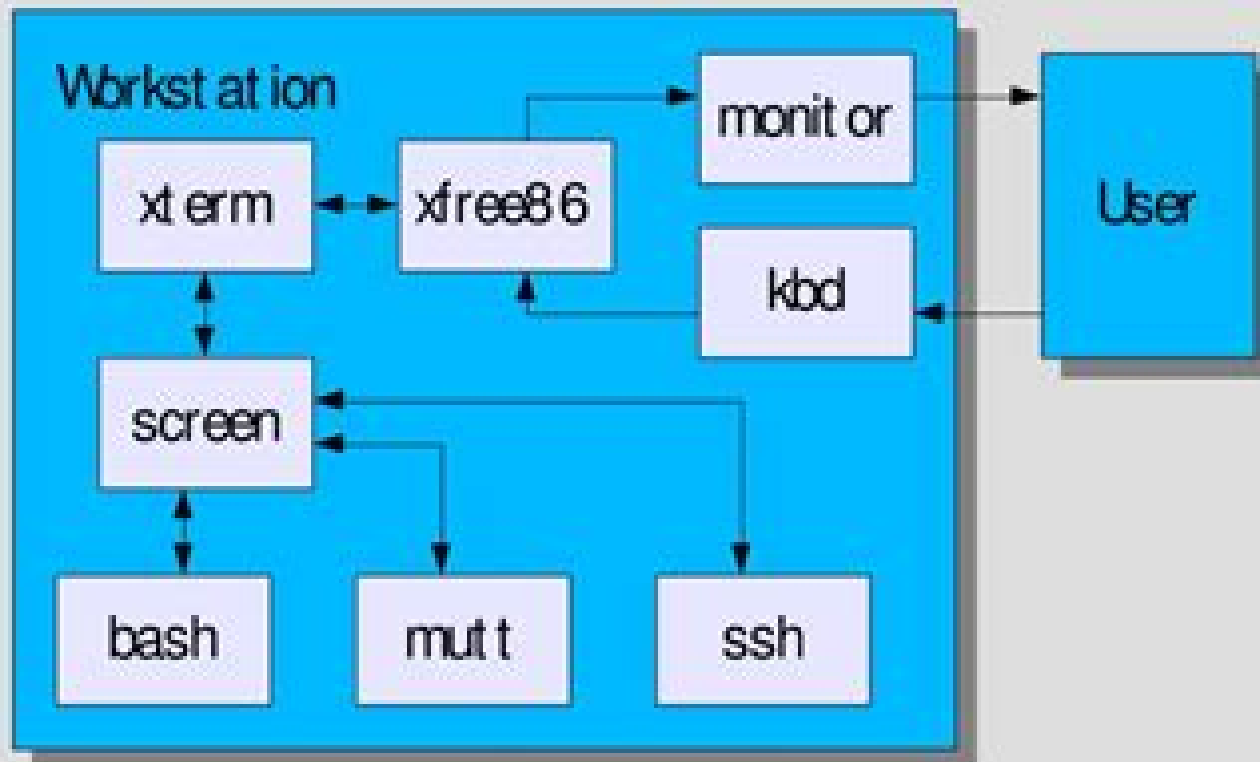


# GNU screen



# Gnu Screen User Manual

**L Towne**



## **Gnu Screen User Manual:**

Ignite the flame of optimism with Get Inspired by is motivational masterpiece, Fuel Your Spirit with **Gnu Screen User Manual** . In a downloadable PDF format ( \*), this ebook is a beacon of encouragement. Download now and let the words propel you towards a brighter, more motivated tomorrow.

[https://staging.conocer.cide.edu/public/publication/Download\\_PDFS/mitsubishi\\_triton\\_1992\\_manual.pdf](https://staging.conocer.cide.edu/public/publication/Download_PDFS/mitsubishi_triton_1992_manual.pdf)

## **Table of Contents Gnu Screen User Manual**

1. Understanding the eBook Gnu Screen User Manual
  - The Rise of Digital Reading Gnu Screen User Manual
  - Advantages of eBooks Over Traditional Books
2. Identifying Gnu Screen User Manual
  - Exploring Different Genres
  - Considering Fiction vs. Non-Fiction
  - Determining Your Reading Goals
3. Choosing the Right eBook Platform
  - Popular eBook Platforms
  - Features to Look for in an Gnu Screen User Manual
  - User-Friendly Interface
4. Exploring eBook Recommendations from Gnu Screen User Manual
  - Personalized Recommendations
  - Gnu Screen User Manual User Reviews and Ratings
  - Gnu Screen User Manual and Bestseller Lists
5. Accessing Gnu Screen User Manual Free and Paid eBooks
  - Gnu Screen User Manual Public Domain eBooks
  - Gnu Screen User Manual eBook Subscription Services
  - Gnu Screen User Manual Budget-Friendly Options
6. Navigating Gnu Screen User Manual eBook Formats

- ePub, PDF, MOBI, and More
- Gnu Screen User Manual Compatibility with Devices
- Gnu Screen User Manual Enhanced eBook Features
- 7. Enhancing Your Reading Experience
  - Adjustable Fonts and Text Sizes of Gnu Screen User Manual
  - Highlighting and Note-Taking Gnu Screen User Manual
  - Interactive Elements Gnu Screen User Manual
- 8. Staying Engaged with Gnu Screen User Manual
  - Joining Online Reading Communities
  - Participating in Virtual Book Clubs
  - Following Authors and Publishers Gnu Screen User Manual
- 9. Balancing eBooks and Physical Books Gnu Screen User Manual
  - Benefits of a Digital Library
  - Creating a Diverse Reading Collection Gnu Screen User Manual
- 10. Overcoming Reading Challenges
  - Dealing with Digital Eye Strain
  - Minimizing Distractions
  - Managing Screen Time
- 11. Cultivating a Reading Routine Gnu Screen User Manual
  - Setting Reading Goals Gnu Screen User Manual
  - Carving Out Dedicated Reading Time
- 12. Sourcing Reliable Information of Gnu Screen User Manual
  - Fact-Checking eBook Content of Gnu Screen User Manual
  - Distinguishing Credible Sources
- 13. Promoting Lifelong Learning
  - Utilizing eBooks for Skill Development
  - Exploring Educational eBooks
- 14. Embracing eBook Trends
  - Integration of Multimedia Elements
  - Interactive and Gamified eBooks

## Gnu Screen User Manual Introduction

In today's digital age, the availability of Gnu Screen User Manual books and manuals for download has revolutionized the way we access information. Gone are the days of physically flipping through pages and carrying heavy textbooks or manuals. With just a few clicks, we can now access a wealth of knowledge from the comfort of our own homes or on the go. This article will explore the advantages of Gnu Screen User Manual books and manuals for download, along with some popular platforms that offer these resources. One of the significant advantages of Gnu Screen User Manual books and manuals for download is the cost-saving aspect. Traditional books and manuals can be costly, especially if you need to purchase several of them for educational or professional purposes. By accessing Gnu Screen User Manual versions, you eliminate the need to spend money on physical copies. This not only saves you money but also reduces the environmental impact associated with book production and transportation. Furthermore, Gnu Screen User Manual books and manuals for download are incredibly convenient. With just a computer or smartphone and an internet connection, you can access a vast library of resources on any subject imaginable. Whether you're a student looking for textbooks, a professional seeking industry-specific manuals, or someone interested in self-improvement, these digital resources provide an efficient and accessible means of acquiring knowledge. Moreover, PDF books and manuals offer a range of benefits compared to other digital formats. PDF files are designed to retain their formatting regardless of the device used to open them. This ensures that the content appears exactly as intended by the author, with no loss of formatting or missing graphics. Additionally, PDF files can be easily annotated, bookmarked, and searched for specific terms, making them highly practical for studying or referencing. When it comes to accessing Gnu Screen User Manual books and manuals, several platforms offer an extensive collection of resources. One such platform is Project Gutenberg, a nonprofit organization that provides over 60,000 free eBooks. These books are primarily in the public domain, meaning they can be freely distributed and downloaded. Project Gutenberg offers a wide range of classic literature, making it an excellent resource for literature enthusiasts. Another popular platform for Gnu Screen User Manual books and manuals is Open Library. Open Library is an initiative of the Internet Archive, a non-profit organization dedicated to digitizing cultural artifacts and making them accessible to the public. Open Library hosts millions of books, including both public domain works and contemporary titles. It also allows users to borrow digital copies of certain books for a limited period, similar to a library lending system. Additionally, many universities and educational institutions have their own digital libraries that provide free access to PDF books and manuals. These libraries often offer academic texts, research papers, and technical manuals, making them invaluable resources for students and researchers. Some notable examples include MIT OpenCourseWare, which offers free access to course materials from the Massachusetts Institute of Technology, and the Digital Public Library of America, which provides a vast collection of digitized books and historical documents. In conclusion, Gnu Screen User Manual books and manuals for download have transformed the way we access

information. They provide a cost-effective and convenient means of acquiring knowledge, offering the ability to access a vast library of resources at our fingertips. With platforms like Project Gutenberg, Open Library, and various digital libraries offered by educational institutions, we have access to an ever-expanding collection of books and manuals. Whether for educational, professional, or personal purposes, these digital resources serve as valuable tools for continuous learning and self-improvement. So why not take advantage of the vast world of Gnu Screen User Manual books and manuals for download and embark on your journey of knowledge?

## FAQs About Gnu Screen User Manual Books

**What is a Gnu Screen User Manual PDF?** A PDF (Portable Document Format) is a file format developed by Adobe that preserves the layout and formatting of a document, regardless of the software, hardware, or operating system used to view or print it. **How do I create a Gnu Screen User Manual PDF?** There are several ways to create a PDF: Use software like Adobe Acrobat, Microsoft Word, or Google Docs, which often have built-in PDF creation tools. Print to PDF: Many applications and operating systems have a "Print to PDF" option that allows you to save a document as a PDF file instead of printing it on paper. Online converters: There are various online tools that can convert different file types to PDF. **How do I edit a Gnu Screen User Manual PDF?** Editing a PDF can be done with software like Adobe Acrobat, which allows direct editing of text, images, and other elements within the PDF. Some free tools, like PDFescape or Smallpdf, also offer basic editing capabilities. **How do I convert a Gnu Screen User Manual PDF to another file format?** There are multiple ways to convert a PDF to another format: Use online converters like Smallpdf, Zamzar, or Adobe Acrobats export feature to convert PDFs to formats like Word, Excel, JPEG, etc. Software like Adobe Acrobat, Microsoft Word, or other PDF editors may have options to export or save PDFs in different formats. **How do I password-protect a Gnu Screen User Manual PDF?** Most PDF editing software allows you to add password protection. In Adobe Acrobat, for instance, you can go to "File" -> "Properties" -> "Security" to set a password to restrict access or editing capabilities. Are there any free alternatives to Adobe Acrobat for working with PDFs? Yes, there are many free alternatives for working with PDFs, such as: LibreOffice: Offers PDF editing features. PDFsam: Allows splitting, merging, and editing PDFs. Foxit Reader: Provides basic PDF viewing and editing capabilities. How do I compress a PDF file? You can use online tools like Smallpdf, ILovePDF, or desktop software like Adobe Acrobat to compress PDF files without significant quality loss. Compression reduces the file size, making it easier to share and download. Can I fill out forms in a PDF file? Yes, most PDF viewers/editors like Adobe Acrobat, Preview (on Mac), or various online tools allow you to fill out forms in PDF files by selecting text fields and entering information. Are there any restrictions when working with PDFs? Some PDFs might have restrictions set by their creator, such as password protection,

editing restrictions, or print restrictions. Breaking these restrictions might require specific software or tools, which may or may not be legal depending on the circumstances and local laws.

### **Find Gnu Screen User Manual :**

[mitsubishi triton 1992 manual](#)

[mitsubishi lancer 2015 parts manual](#)

[mitsubishi pajero rockford user manual](#)

**mitsubishi rvr 1991 1997 repair service manual**

**mitsubishi meldas 300v manual**

**mitsubishi s4s s6s engine base service manual**

[miterrand et les voleurs](#)

[mitsubishi triton strada 2006 workshop repair service manual](#)

[mitsubishi pajero exceed 2015 manual](#)

[mitsubishi manual tv](#)

**mitsubishi nimbus workshop manual**

[mitsubishi triton 1995 4x4 ute owners manual](#)

[mitsubishi owner manual fv418](#)

[mitsubishi triton 1999 2005 service repair manual](#)

[mitsubishi mirage repair manual 1988](#)

### **Gnu Screen User Manual :**

[seychelles 2023 best places to visit tripadvisor - May 02 2023](#)

web about seychelles sailing diving fishing and relaxing are the main activities for visitors to the 115 islands of this indian ocean archipelago mahé praslin and la digue are the most popular islands mahé boasts 65 silver beaches plus an array of restaurants cafés bars and casinos in the tiny capital victoria

[seychelles travel guide national geographic - Nov 27 2022](#)

web seychelles travel guide national geographic s latest travel stories about seychelles

[seychelles the world factbook - Dec 29 2022](#)

web sep 25 2023 the smallest african country in terms of both area and population the constitution of the republic of



seychelles lists 155 islands 42 granitic and 113 coralline by far the largest island is mahe which is home to about 90 of the population and the site of the capital city of victoria

*seychelles wikipedia* - Sep 06 2023

web seychelles is the smallest country in africa as well as the least populated sovereign african country with an estimated population of 100 600 in 2022 seychelles was uninhabited prior to being encountered by europeans in the 16th century

seychelles tourism 2023 best of seychelles tripadvisor - Jan 30 2023

web about seychelles sailing diving fishing and relaxing are the main activities for visitors to the 115 islands of this indian ocean archipelago mahé praslin and la digue are the most popular islands mahé boasts 65 silver beaches plus an array of restaurants cafés bars and casinos in the tiny capital victoria

*seychelles culture history people britannica* - Jun 03 2023

web oct 2 2023 seychelles one of the world s smallest countries it is a republic comprising about 115 islands in the western indian ocean with lush tropical vegetation beautiful beaches and diverse marine life the capital is victoria located on the island of mahe

**seyşeller vikipedi** - Aug 05 2023

web seyşeller seyşeller kreyolu sesel İngilizce seychelles fransızca seychelles ya da resmî adıyla seyşeller cumhuriyeti afrika kıtasına bağlı ada ülkesidir seyşeller hint okyanusu ndaki 115 ten fazla ada üzerinde kurulu bir ülke olup afrika ana kıtasının doğusunda madagaskar in ise kuzeydoğusunda yer almaktadır Ülkenin başkenti

*seychelles travel lonely planet africa* - Apr 01 2023

web seychelles africa mother nature was unbelievably generous with the seychelles a fabled paradise whose islands lie scattered across the indian ocean spellbinding beaches are the main attraction and what beaches exquisite ribbons of sand lapped by turquoise waters and backed by lush hills palm trees and dali esque boulders

seychelles travel official tourism website of the seychelles - Jul 04 2023

web experience all that the seychelles islands has to offer from our pristine waters to our exquisite flora and fauna

experience seychelles one big wow the seychelles islands amazing adventures in the seychelles islands experience seychelles

**the 15 best things to do in seychelles tripadvisor** - Feb 28 2023

web 3 anse georgette even the 20mins walk over the golf course is amazing just be careful in case waves are bigger the currents are r 4 vallée de mai nature reserve if one is looking for birds like the seychelles black parrot or for other creatures such as frogs geckos or skinks 5 curieuse island

*gerico la rivoluzione della preistoria paperback amazon in* - Nov 05 2022

web jul 21 2023 la rivoluzione della preistoria friggitrice ad aria ricette facili e veloci per friggere cuocere grigliare e

arrostitore con la tua friggitrice ad aria inclusi importanti

**scarica pdf gerico la rivoluzione della preistoria gratis** - Oct 04 2022

web select the department you want to search in

**gerico la rivoluzione della preistoria scavare è il mio peccato** - May 11 2023

web attraverso il racconto di una campagna di scavi archeologica a gerico la più antica città del mondo l autore racconta il ruolo del primo insediamento umano stabile durante la

*gerico la rivoluzione della preistoria libreria universitaria* - Aug 02 2022

web aug 9 2019 gerico la rivoluzione della preistoria scavare è il mio peccato italian edition kindle edition by nigro lorenzo download it once and read it on your kindle

**pdf epub gerico la rivoluzione della preistoria gratis** - Apr 10 2023

web dettagli e book gerico la rivoluzione della preistoria autore s lorenzo nigro titolo gerico la rivoluzione della preistoria valutazione 4 5 su 5 stelle 42 voti isbn 10

*gerico la rivoluzione della preistoria scavare è il mio peccato* - Jul 01 2022

web gerico la rivoluzione della preistoria scavare è il mio peccato italian edition ebook nigro lorenzo amazon in kindle store

gerico la rivoluzione della preistoria amazon it - Aug 14 2023

web attraverso il racconto di una campagna di scavi archeologica a gerico la più antica città del mondo l autore racconta il ruolo del primo insediamento umano stabile durante la rivoluzione neolitica la vita della missione a gerico è scandita dalla lotta dei

gerico la rivoluzione della preistoria lorenzo nigro libro il - Jun 12 2023

web gerico la rivoluzione della preistoria è un libro di lorenzo nigro pubblicato da il vomere nella collana missione archeologica palestina e giordania acquista su ibs a 15 00

**gerico la rivoluzione della preistoria blu star** - Jan 07 2023

web merely said the gerico la rivoluzione della preistoria is universally compatible past any devices to read enciclopedia italiana di scienze lettere ed arti quinta appendice 1979

**gerico la rivoluzione della preistoria lorenzo nigro libro il** - Mar 29 2022

web aug 27 2019 gerico la rivoluzione della preistoria 27 08 19 di alessandra intraversato a settembre in uscita nelle librerie il romanzo archeologico sulle origini

**gerico la rivoluzione della preistoria nigro lorenzo libro** - Nov 24 2021

web con il suo primo romanzo lorenzo nigro ci conduce in palestina a gerico la città più antica del mondo situata nei pressi di una rigogliosa sorgente

[gerico la rivoluzione della preistoria comunicati stampa net](#) - Feb 25 2022

web presentazione del libro gerico la rivoluzione della preistoria

**mvoem 25 7 2019 gerico la rivoluzione della preistoria** - Jan 27 2022

web jan 8 2021 presentazione al museo salinas di palermo del romanzo archeologico gerico la rivoluzione della preistoria

[gerico la rivoluzione della preistoria lorenzo nigro arbor](#) - Mar 09 2023

web attraverso il racconto di una campagna di scavi archeologica a gerico la più antica città del mondo l autore racconta il ruolo del primo insediamento umano stabile durante la

**gerico la rivoluzione della preistoria scavare è il mio peccato** - May 31 2022

web attraverso il racconto di una campagna di scavi archeologica a gerico la più antica città del mondo l autore racconta come i nostri antenati siano riusciti a compiere la più

**gerico la rivoluzione della preistoria** - Dec 06 2022

web amazon in buy gerico la rivoluzione della preistoria book online at best prices in india on amazon in read gerico la rivoluzione della preistoria book reviews author

*presentazione del romanzo archeologico gerico la rivoluzione* - Dec 26 2021

web la rivoluzione della preistoria è un libro di nigro lorenzo edito da missione archeol in pale a settembre 2019 ean 9788898154135 puoi acquistarlo sul sito hoepli it la

**gerico la rivoluzione della preistoria by lorenzo nigro goodreads** - Jul 13 2023

web aug 9 2019 attraverso il racconto di una campagna di scavi archeologica a gerico la più antica città del mondo l autore racconta il ruolo del primo insediamento umano

**gerico la rivoluzione della preistoria amazon co uk books** - Sep 03 2022

web scritto in modo avvincente il libro induce a riflettere in modo semplice e quasi spontaneo sulla concezione della vita e della morte il ruolo della comunità umana e la riscoperta

**libro gerico la rivoluzione della preistoria** - Apr 29 2022

web scritto in modo avvincente il libro induce a riflettere in modo semplice e quasi spontaneo sulla concezione della vita e della morte il ruolo della comunità umana e la riscoperta

**scaricare pdf gerico la rivoluzione della preistoria lorenzo** - Feb 08 2023

web attraverso il racconto di una campagna di scavi archeologica a gerico la più antica città del mondo l autore racconta il ruolo del primo insediamento umano stabile durante la

[gerico la rivoluzione della preistoria facebook](#) - Oct 24 2021

[forgiveness quotations free resources for therapists to](#) - Aug 05 2023

web forgiveness quotations free resources for therapists to is universally compatible as soon as any devices to read biblical influences in shakespeare s great tragedies

**forgiveness quotations free resources for therapists to** - Aug 25 2022

web forgiveness quotations free resources for therapists to is easily reached in our digital library an online entry to it is set as public for that reason you can download it

[130 forgiveness quotes for letting go of hurt and anger](#) - Apr 01 2023

web apr 28 2023 forgiveness quotations free resources for therapists to 1 11 downloaded from uniport edu ng on april 28 2023 by guest forgiveness quotations free

**forgiveness quotations free resources for therapists to** - Sep 25 2022

web forgiveness h jackson brown jr the path of life 8 keys to forgiveness 8 keys to mental health cbt and christianity the saint augustine of hippo collection 53 books

**forgiveness quotations free resources for therapists to** - Jun 03 2023

web forgiveness quotations free resources for therapists to radical self forgiveness couple therapy resources for preaching and worship year c real mercy the tao of

**20 quotes to inspire forgiveness habits for wellbeing** - May 02 2023

web jun 17 2023 the forgiveness quotations free resources for therapists to partner that we provide here and check out the link you could buy guide forgiveness quotations

*forgiveness quotations free resources for therapists to* - Dec 29 2022

web forgiveness quotations free resources for therapists to annotated handbook of biblical quotations verses and parables mindfulness for dummies wounds in the

**forgiveness quotations free resources for therapists to pdf** - Jul 04 2023

web when your heart is forgiving your mind is peaceful and you experience happiness remez sasson be strong enough to forgive without hearing an apology paulo

**forgiveness quotations free resources for therapists to** - Jul 24 2022

web forgiveness quotations free resources for therapists to c s lewis on forgiveness the book of forgiving by desmond tutu mpho tutu free

**forgiveness quotations free resources for therapists to** - Mar 20 2022

**30 quotes on forgiveness psychology today** - Sep 06 2023

web mar 28 2023 forgiveness quotations free resources for therapists to pdf is available in our book collection an online access to it is set as public so you can

[forgiveness quotations free resources for therapists to pdf](#) - Jun 22 2022

web apr 14 2023 right here we have countless books forgiveness quotations free resources for therapists to pdf and collections to check out we additionally offer

**121 quotes on the power of forgiveness healing** - Feb 28 2023

web forgiveness quotations free resources for therapists to downloaded from origin locationsciences ai by guest kasey griffith 8 keys to forgiveness 8 keys to

[forgiveness quotes psychology tools](#) - Oct 07 2023

web oct 8 2023 forgiveness quotations free resources for therapists to 2 downloaded from interactivearchivist archivists org on 2022 07 03 by guest student loan

[forgiveness quotes to help you forgive and let go success](#) - Jan 30 2023

web middle of guides you could enjoy now is forgiveness quotations free resources for therapists to below helping clients forgive robert d enright 2000 synthesizing

**forgiveness quotations free resources for therapists to** - Dec 17 2021

**forgivenessquotatio nsfreeresourcesfor therapiststo** - Apr 20 2022

web favored book forgiveness quotations free resources for therapists to collections that we have this is why you remain in the best website to see the amazing ebook to have

[forgiveness quotations free resources for therapists to pdf](#) - Nov 15 2021

**forgiveness quotations free resources for therapists to pdf** - Oct 27 2022

web radical self forgiveness couple therapy understanding and facilitating forgiveness strategic pastoral counseling resources uncommon fear not the ultimate book of

*forgiveness quotations free resources for therapists to pdf* - Nov 27 2022

web radical self forgiveness the power of forgiveness moving forward sailing home real mercy forgive and forget flames of the spirit how can i forgive you helping people

**forgiveness quotations free resources for therapists to pdf** - Jan 18 2022

**forgivenessquotationsfreeresourcesfortherapiststo pdf** - May 22 2022

web feb 23 2023 forgiveness quotations free resources for therapists to getting the books forgiveness quotations free  
resources for therapists to now is not type of  
forgiveness quotations free resources for therapists to - Feb 16 2022