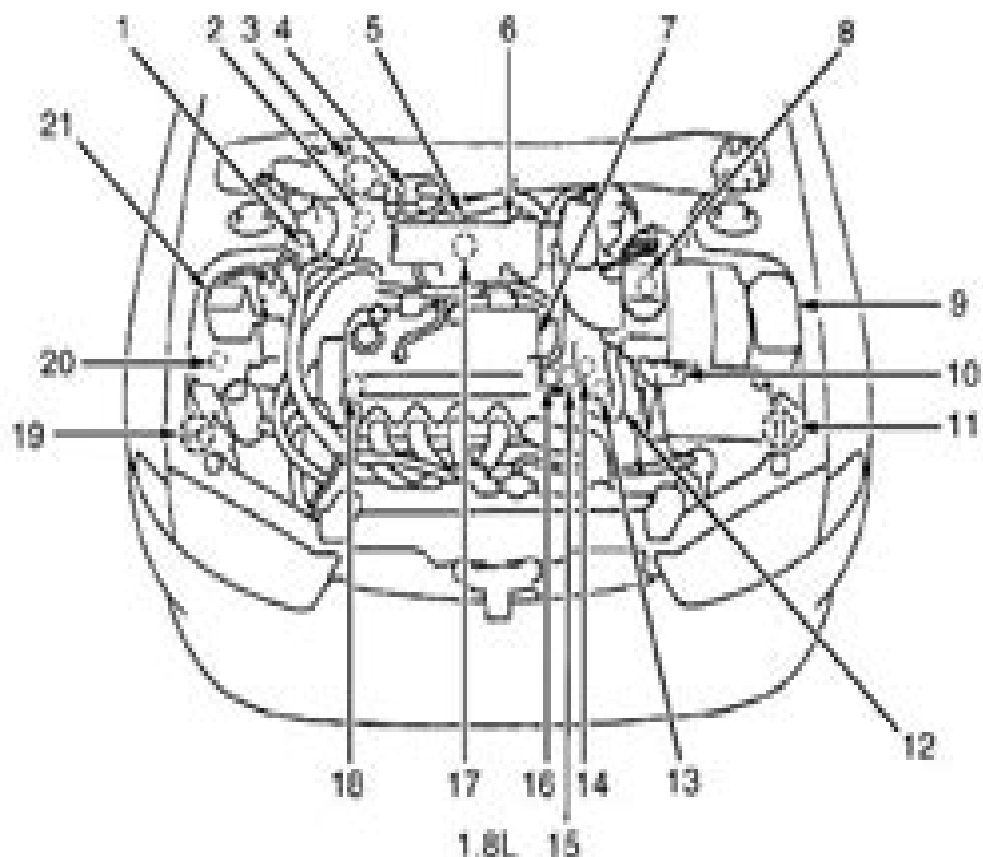


Fig. 2 Engine Compartment (1.8L)



1. ABS Solenoid Valve
2. Engine Speed Detection Connector
3. G5
4. ABS Valve Relay & ABS Motor Relay
5. Manifold Differential Pressure Sensor
6. Throttle Position Sensor
7. Engine Coolant Temperature Sensor

8. Volume Airflow Sensor
9. Engine Compartment Relay Box & Fusible Links (No. 1-7)
10. Fusible Link No. 8
11. G11
12. A/T Fluid Temperature Sensor
13. Input Shaft Speed Sensor, Output Shaft Speed Sensor & Vehicle Speed Sensor

14. Automatic Transmission Control Solenoid Valve Assembly
15. G10
16. Camshaft Position Sensor & Ignition Failure Sensor
17. EGR Solenoid & Evaporative Emission Purge Solenoid
18. Crankshaft Position Sensor
19. G1
20. Auto-Cruise Control Vacuum Pump
21. A/C Relay Box

Mitsubishi Mirage Engine Diagram

RM Cervero



Mitsubishi Mirage Engine Diagram:

Discover tales of courage and bravery in its empowering ebook, Unleash Courage in **Mitsubishi Mirage Engine Diagram** . In a downloadable PDF format (PDF Size: *), this collection inspires and motivates. Download now to witness the indomitable spirit of those who dared to be brave.

<https://staging.conocer.cide.edu/results/Resources/Documents/ge%20front%20load%20washer%20problems.pdf>

Table of Contents Mitsubishi Mirage Engine Diagram

1. Understanding the eBook Mitsubishi Mirage Engine Diagram
 - The Rise of Digital Reading Mitsubishi Mirage Engine Diagram
 - Advantages of eBooks Over Traditional Books
2. Identifying Mitsubishi Mirage Engine Diagram
 - Exploring Different Genres
 - Considering Fiction vs. Non-Fiction
 - Determining Your Reading Goals
3. Choosing the Right eBook Platform
 - Popular eBook Platforms
 - Features to Look for in an Mitsubishi Mirage Engine Diagram
 - User-Friendly Interface
4. Exploring eBook Recommendations from Mitsubishi Mirage Engine Diagram
 - Personalized Recommendations
 - Mitsubishi Mirage Engine Diagram User Reviews and Ratings
 - Mitsubishi Mirage Engine Diagram and Bestseller Lists
5. Accessing Mitsubishi Mirage Engine Diagram Free and Paid eBooks
 - Mitsubishi Mirage Engine Diagram Public Domain eBooks
 - Mitsubishi Mirage Engine Diagram eBook Subscription Services
 - Mitsubishi Mirage Engine Diagram Budget-Friendly Options
6. Navigating Mitsubishi Mirage Engine Diagram eBook Formats

- ePub, PDF, MOBI, and More
 - Mitsubishi Mirage Engine Diagram Compatibility with Devices
 - Mitsubishi Mirage Engine Diagram Enhanced eBook Features
7. Enhancing Your Reading Experience
 - Adjustable Fonts and Text Sizes of Mitsubishi Mirage Engine Diagram
 - Highlighting and Note-Taking Mitsubishi Mirage Engine Diagram
 - Interactive Elements Mitsubishi Mirage Engine Diagram
 8. Staying Engaged with Mitsubishi Mirage Engine Diagram
 - Joining Online Reading Communities
 - Participating in Virtual Book Clubs
 - Following Authors and Publishers Mitsubishi Mirage Engine Diagram
 9. Balancing eBooks and Physical Books Mitsubishi Mirage Engine Diagram
 - Benefits of a Digital Library
 - Creating a Diverse Reading Collection Mitsubishi Mirage Engine Diagram
 10. Overcoming Reading Challenges
 - Dealing with Digital Eye Strain
 - Minimizing Distractions
 - Managing Screen Time
 11. Cultivating a Reading Routine Mitsubishi Mirage Engine Diagram
 - Setting Reading Goals Mitsubishi Mirage Engine Diagram
 - Carving Out Dedicated Reading Time
 12. Sourcing Reliable Information of Mitsubishi Mirage Engine Diagram
 - Fact-Checking eBook Content of Mitsubishi Mirage Engine Diagram
 - Distinguishing Credible Sources
 13. Promoting Lifelong Learning
 - Utilizing eBooks for Skill Development
 - Exploring Educational eBooks
 14. Embracing eBook Trends
 - Integration of Multimedia Elements
 - Interactive and Gamified eBooks

Mitsubishi Mirage Engine Diagram Introduction

Free PDF Books and Manuals for Download: Unlocking Knowledge at Your Fingertips In today's fast-paced digital age, obtaining valuable knowledge has become easier than ever. Thanks to the internet, a vast array of books and manuals are now available for free download in PDF format. Whether you are a student, professional, or simply an avid reader, this treasure trove of downloadable resources offers a wealth of information, conveniently accessible anytime, anywhere. The advent of online libraries and platforms dedicated to sharing knowledge has revolutionized the way we consume information. No longer confined to physical libraries or bookstores, readers can now access an extensive collection of digital books and manuals with just a few clicks. These resources, available in PDF, Microsoft Word, and PowerPoint formats, cater to a wide range of interests, including literature, technology, science, history, and much more. One notable platform where you can explore and download free Mitsubishi Mirage Engine Diagram PDF books and manuals is the internet's largest free library. Hosted online, this catalog compiles a vast assortment of documents, making it a veritable goldmine of knowledge. With its easy-to-use website interface and customizable PDF generator, this platform offers a user-friendly experience, allowing individuals to effortlessly navigate and access the information they seek. The availability of free PDF books and manuals on this platform demonstrates its commitment to democratizing education and empowering individuals with the tools needed to succeed in their chosen fields. It allows anyone, regardless of their background or financial limitations, to expand their horizons and gain insights from experts in various disciplines. One of the most significant advantages of downloading PDF books and manuals lies in their portability. Unlike physical copies, digital books can be stored and carried on a single device, such as a tablet or smartphone, saving valuable space and weight. This convenience makes it possible for readers to have their entire library at their fingertips, whether they are commuting, traveling, or simply enjoying a lazy afternoon at home. Additionally, digital files are easily searchable, enabling readers to locate specific information within seconds. With a few keystrokes, users can search for keywords, topics, or phrases, making research and finding relevant information a breeze. This efficiency saves time and effort, streamlining the learning process and allowing individuals to focus on extracting the information they need. Furthermore, the availability of free PDF books and manuals fosters a culture of continuous learning. By removing financial barriers, more people can access educational resources and pursue lifelong learning, contributing to personal growth and professional development. This democratization of knowledge promotes intellectual curiosity and empowers individuals to become lifelong learners, promoting progress and innovation in various fields. It is worth noting that while accessing free Mitsubishi Mirage Engine Diagram PDF books and manuals is convenient and cost-effective, it is vital to respect copyright laws and intellectual property rights. Platforms offering free downloads often operate within legal boundaries, ensuring that the materials they provide are either in the public domain or authorized for distribution. By adhering to copyright laws, users can enjoy the benefits of free access to knowledge while supporting the authors and

publishers who make these resources available. In conclusion, the availability of Mitsubishi Mirage Engine Diagram free PDF books and manuals for download has revolutionized the way we access and consume knowledge. With just a few clicks, individuals can explore a vast collection of resources across different disciplines, all free of charge. This accessibility empowers individuals to become lifelong learners, contributing to personal growth, professional development, and the advancement of society as a whole. So why not unlock a world of knowledge today? Start exploring the vast sea of free PDF books and manuals waiting to be discovered right at your fingertips.

FAQs About Mitsubishi Mirage Engine Diagram Books

How do I know which eBook platform is the best for me? Finding the best eBook platform depends on your reading preferences and device compatibility. Research different platforms, read user reviews, and explore their features before making a choice. Are free eBooks of good quality? Yes, many reputable platforms offer high-quality free eBooks, including classics and public domain works. However, make sure to verify the source to ensure the eBook credibility. Can I read eBooks without an eReader? Absolutely! Most eBook platforms offer webbased readers or mobile apps that allow you to read eBooks on your computer, tablet, or smartphone. How do I avoid digital eye strain while reading eBooks? To prevent digital eye strain, take regular breaks, adjust the font size and background color, and ensure proper lighting while reading eBooks. What the advantage of interactive eBooks? Interactive eBooks incorporate multimedia elements, quizzes, and activities, enhancing the reader engagement and providing a more immersive learning experience. Mitsubishi Mirage Engine Diagram is one of the best book in our library for free trial. We provide copy of Mitsubishi Mirage Engine Diagram in digital format, so the resources that you find are reliable. There are also many Ebooks of related with Mitsubishi Mirage Engine Diagram. Where to download Mitsubishi Mirage Engine Diagram online for free? Are you looking for Mitsubishi Mirage Engine Diagram PDF? This is definitely going to save you time and cash in something you should think about. If you trying to find then search around for online. Without a doubt there are numerous these available and many of them have the freedom. However without doubt you receive whatever you purchase. An alternate way to get ideas is always to check another Mitsubishi Mirage Engine Diagram. This method for see exactly what may be included and adopt these ideas to your book. This site will almost certainly help you save time and effort, money and stress. If you are looking for free books then you really should consider finding to assist you try this. Several of Mitsubishi Mirage Engine Diagram are for sale to free while some are payable. If you arent sure if the books you would like to download works with for usage along with your computer, it is possible to download free trials. The free guides make it easy for someone to free access online library for download books to your device. You can get free download on free trial for lots of books categories. Our library is the biggest of these

that have literally hundreds of thousands of different products categories represented. You will also see that there are specific sites catered to different product types or categories, brands or niches related with Mitsubishi Mirage Engine Diagram. So depending on what exactly you are searching, you will be able to choose e books to suit your own need. Need to access completely for Campbell Biology Seventh Edition book? Access Ebook without any digging. And by having access to our ebook online or by storing it on your computer, you have convenient answers with Mitsubishi Mirage Engine Diagram To get started finding Mitsubishi Mirage Engine Diagram, you are right to find our website which has a comprehensive collection of books online. Our library is the biggest of these that have literally hundreds of thousands of different products represented. You will also see that there are specific sites catered to different categories or niches related with Mitsubishi Mirage Engine Diagram So depending on what exactly you are searching, you will be able to choose ebook to suit your own need. Thank you for reading Mitsubishi Mirage Engine Diagram. Maybe you have knowledge that, people have search numerous times for their favorite readings like this Mitsubishi Mirage Engine Diagram, but end up in harmful downloads. Rather than reading a good book with a cup of coffee in the afternoon, instead they juggled with some harmful bugs inside their laptop. Mitsubishi Mirage Engine Diagram is available in our book collection an online access to it is set as public so you can download it instantly. Our digital library spans in multiple locations, allowing you to get the most less latency time to download any of our books like this one. Merely said, Mitsubishi Mirage Engine Diagram is universally compatible with any devices to read.

Find Mitsubishi Mirage Engine Diagram :

[ge front load washer problems](#)

[gauteng physical sciences grade 1 exam papers](#)

[gauteng business studies grade 11 memorandum november 2014](#)

[gec mercury manual](#)

[gay hollywood cuckold english edition](#)

[gator amt 622 manual john deere](#)

[gcse history ocr b cgp revision guide](#)

[gauteng nursing intake for 20](#)

[gauteng prep exam chemistry 2014 memo](#)

[gauteng d4 nursing application forms 2015 intake](#)

[gbc heatseal h210 user manual](#)

[gauteng accounting grade 12 prelimanry exam september 2014](#)

[ge amx 3 service manual](#)
[gauteng government nursing collage 2016](#)
[ge application manual for meters](#)

Mitsubishi Mirage Engine Diagram :

Marcy Mathworks Marcy Mathworks now offers its best-selling enrichment books as digital downloads, including all the titles below, all selling at about half the price of the ... Marcy Mathworks Marcy Mathworks now offers its best-selling enrichment books as digital downloads, including all the titles below, all selling at about half the price of the ... Marcy Mathworks Marcy Mathworks. 1. Marcy Mathworks. Marcy Mathworks. Downloaded from web.mei.edu by guest. BEATRICE MYLA. Best Sellers - Books : • The Light We Carry: ... Bridge to Algebra Pizzazz Published by Marcy Mathworks: PUNCHLINE Problem Solving • 2nd Edition ... ©2001 Marcy Mathworks. • 19. 0.5 51 mi 78 ft 110 20 360. Expressions, Equations, and ... Marcy Mathworks Answer Key marcy mathworks answer key. Punchline Algebra Book B 2006 Marcy Mathworks Answer Key Punchline Algebra Book B - marcymathworks.livejournal. Section 11 Answers ©2006 Marcy Mathworks. Answers • 6. Page 7. Section 12 Answers. What Happened After a Bunch of Izzy Lang's Friends. Made a Giant "Happy 85th ... ©2006 Marcy ... Marcy Mathworks Punchline Algebra Book B Answer Keyrar Marcy Mathworks Punchline Algebra Book B Answer Keyrar. Marcy Mathworks Punchline Algebra Book B Answer Keyrar. Download Zip. 2001 Marcy Mathworks - PUNCHLINE • Bridge to Algebra ©2001 Marcy Mathworks. PUNCHLINE • Bridge to Algebra. WHAT IS THE TITLE OF ... ©2001 Marcy Mathworks. Equations, Problems, and Functions: • 38 •. Solving One ... Walter Nicholson - Solutionary Microeconomic theory. 11 ... Walter Nicholson - Solutionary Microeconomic theory. 11 (2011) ; These problems provide some practice in examining utility functions by looking at indifference. Microeconomic Theory: Basic Principles and Extensions ... 11th Edition, you'll learn how to solve your toughest homework problems. Our resource for Microeconomic Theory: Basic Principles and Extensions includes answers ... Microeconomic Theory: Basic Principles and Extensions, ... Walter Nicholson is the Ward H. Patton Professor of Economics at Amherst ... The 11th edition of Microeconomic Theory: Basic Principles and Extensions ... How to find the solution manual of the following book Oct 23, 2021 — You can get the solution manuals of Walter Nicholson and Christopher Snyder, Theory and Application of Intermediate Microeconomics, 11th edition ... Microeconomic theory basic principles and extensions ... Microeconomic theory basic principles and extensions 11th edition nicholson solutions manual. Course: Micro economics (701). Walter Nicholson Solutions Books by Walter Nicholson with Solutions ; Microeconomics Theory (Book Only) 11th Edition 228 Problems solved, Christopher M Snyder, Walter (Walter Nicholson) ... Solution Manual For Intermediate Microeconomics and Its ... SOLUTION MANUAL FOR INTERMEDIATE. MICROECONOMICS AND ITS APPLICATION. 11TH EDITION BY NICHOLSON. Complete downloadable file at: [https://testbanku.eu/Solution- ...](https://testbanku.eu/Solution-...)

Microeconomics Theory 11th Edition Textbook Solutions Textbook solutions for Microeconomics Theory 11th Edition NICHOLSON and others in this series. View step-by-step homework solutions for your homework. Chapter 3 Solutions | Microeconomic Theory 11th Edition Access Microeconomic Theory 11th Edition Chapter 3 solutions now. Our solutions are written by Chegg experts so you can be assured of the highest quality! Solutions for Microeconomic Theory: Basic Principles and ... Step-by-step video answers explanations by expert educators for all Microeconomic Theory: Basic Principles and Extensions 11th by Walter Nicholson, ... [Hudson Law of Finance (Classic Series)] [Author: Alastair ... The Law of Finance aims, for the first time in a single volume, to account for the whole of international finance as understood in English law. Hudson Law of Finance (Classic Series) by Alastair ... The Law of Finance aims, for the first time in a single volume, to account for the whole of international finance as understood in English law. Hudson Law of Finance - Softcover Hudson Law of Finance (Classic Series). Hudson, Professor Alastair. Published by Sweet & Maxwell (2013). ISBN 10: 0414027647 ISBN 13: 9780414027640. New ... Hudson Law of Finance (Classic Series) ... Hudson Law of Finance (Classic Series), Hudson 9780414027640 Free Shipping.. ; Condition. Brand New ; Quantity. 2 available ; Item Number. 333654216822 ; Format. Professor Alastair Hudson Professor Alastair Hudson. Alastair Hudson. Areas of interest. Finance and ... The Law of Finance "Classics Series", 2nd ed, Sweet & Maxwell, 2013, 1,452pp ... The Law of Finance book by Alastair Hudson The Law of Finance · Book Overview · You Might Also Enjoy · Customer Reviews · Based on Your Recent Browsing. the law of finance - Alastair Hudson's Nov 1, 2009 — 6.2.6 Finance law. • Alastair Hudson, The Law of Finance, Ch.32. 6.2.7 Some classic good reads about financial markets (and other things). Chronological List of Principal Publications - Alastair Hudson's The Law of Finance; Sweet & Maxwell "Classics Series", 1st edition, 2009, 1,428pp. 5. Equity & Trusts, 6th edition, Routledge-Cavendish, 2009, 1,215 pp. 6. Hudson Law of Finance (Classic Series) by Alastair ... Author:Alastair Hudson. Book Binding:Paperback / softback. Hudson Law of Finance (Classic Series). World of Books Ltd was founded in 2005, recycling books ... Alastair Hudson The Law of Finance; 2nd edition, Sweet & Maxwell ... Towards a just society: law, Labour and legal aid; ("Citizenship & Law Series"), Pinter, 1999, 270pp ...